



US00D438651S

(12) **United States Design Patent**  
**Madanat**

(10) **Patent No.:** **US D438,651 S**

(45) **Date of Patent:** **\*\* Mar. 6, 2001**

(54) **ELECTRIC LAMP**

(76) Inventor: **Nick Madanat**, 4101 Lincoln Way, Unit 102, San Francisco, CA (US) 94122

(\*\*) Term: **14 Years**

(21) Appl. No.: **29/126,807**

(22) Filed: **Jul. 25, 2000**

(51) **LOC (7) Cl.** ..... **26-06**

(52) **U.S. Cl.** ..... **D26/3; D10/115**

(58) **Field of Search** ..... D10/115; D26/1, D26/2, 3, 26; 313/315, 317, 318, 485, 493; 362/216, 806

(56) **References Cited**

**U.S. PATENT DOCUMENTS**

D. 273,999	*	5/1984	Chapman et al.	.....	D26/3
D. 287,948		1/1987	Evans .		
D. 288,721	*	3/1987	Pai	.....	D26/3
D. 292,681		11/1987	Evans .		
D. 314,354		2/1991	Droschl .		
D. 314,524		2/1991	Perry .		
D. 412,679		8/1999	Gramera .		
5,710,560		1/1998	Cohn .		

**OTHER PUBLICATIONS**

Yahoo, Red Light Legislation, 3 pages, Apr. 14, 1997.  
Thesource.net, US/World News, Fatal crashes from Red light running on the rise; Detroit ranks high, 2 pages, May 21, 1998.

St. Petersburg Times, Putting Red light runners in focus, 3 pages Jan. 2, 1999.

\* cited by examiner

*Primary Examiner*—Marcus A. Jackson

(74) *Attorney, Agent, or Firm*—Ray K. Shahani, Esq.

(57) **CLAIM**

I claim the ornamental design for an electric lamp, as shown and described.

**DESCRIPTION**

FIG. 1 is a perspective view as seen from the top, lower and right side of an electric lamp showing our new design;

FIG. 2 is a front view thereof;

FIG. 3 is a rear view thereof;

FIG. 4 is a right side view thereof;

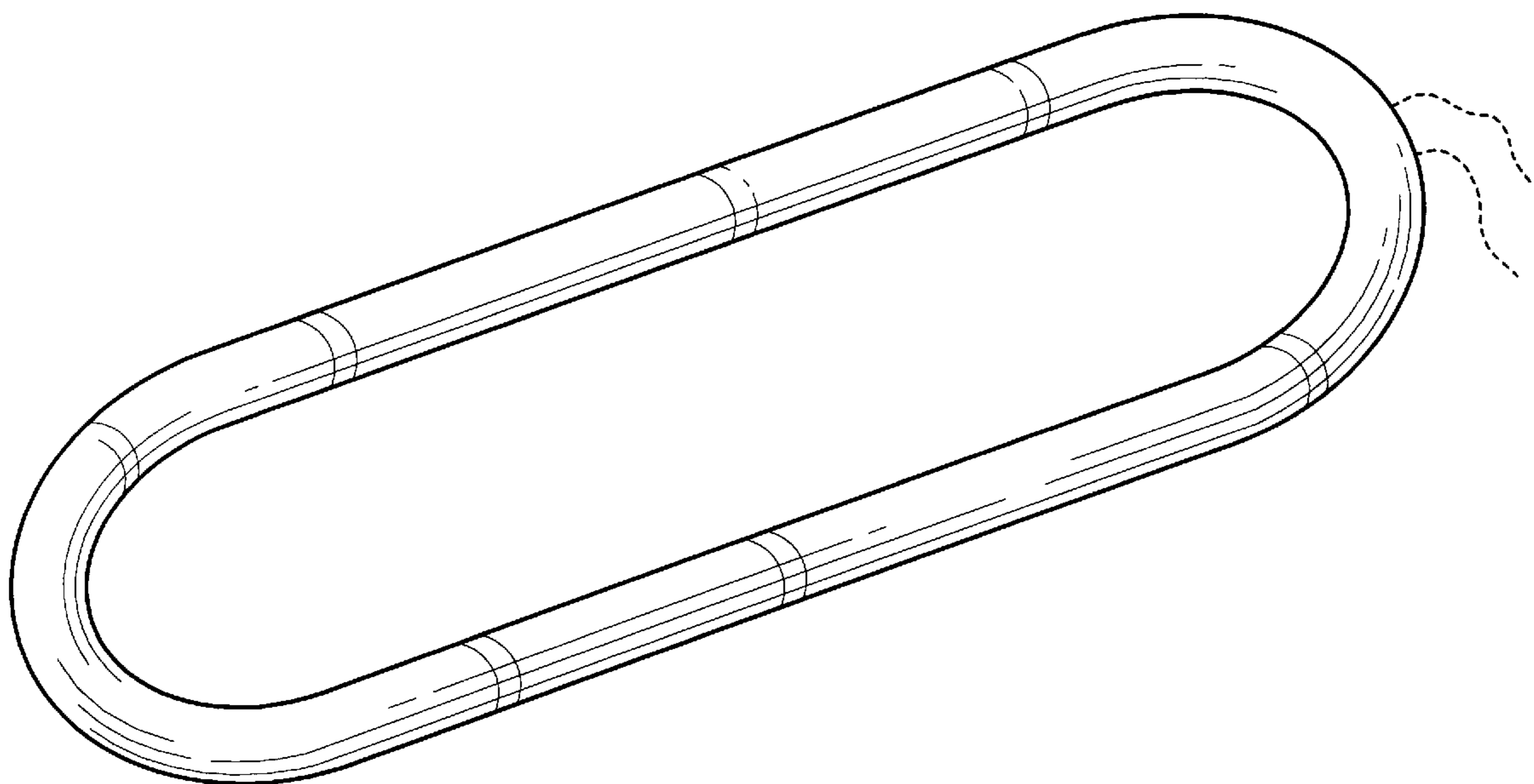
FIG. 5 is a left side view thereof;

FIG. 6 is a front view thereof (unclaimed traffic signal environmental structure being shown in broken lines); and,

FIG. 7 is a right side view thereof (unclaimed traffic signal environmental structure being shown in broken lines).

The broken lines showing traffic signals are for illustrative purposes only and form no part of the claimed design.

**1 Claim, 4 Drawing Sheets**



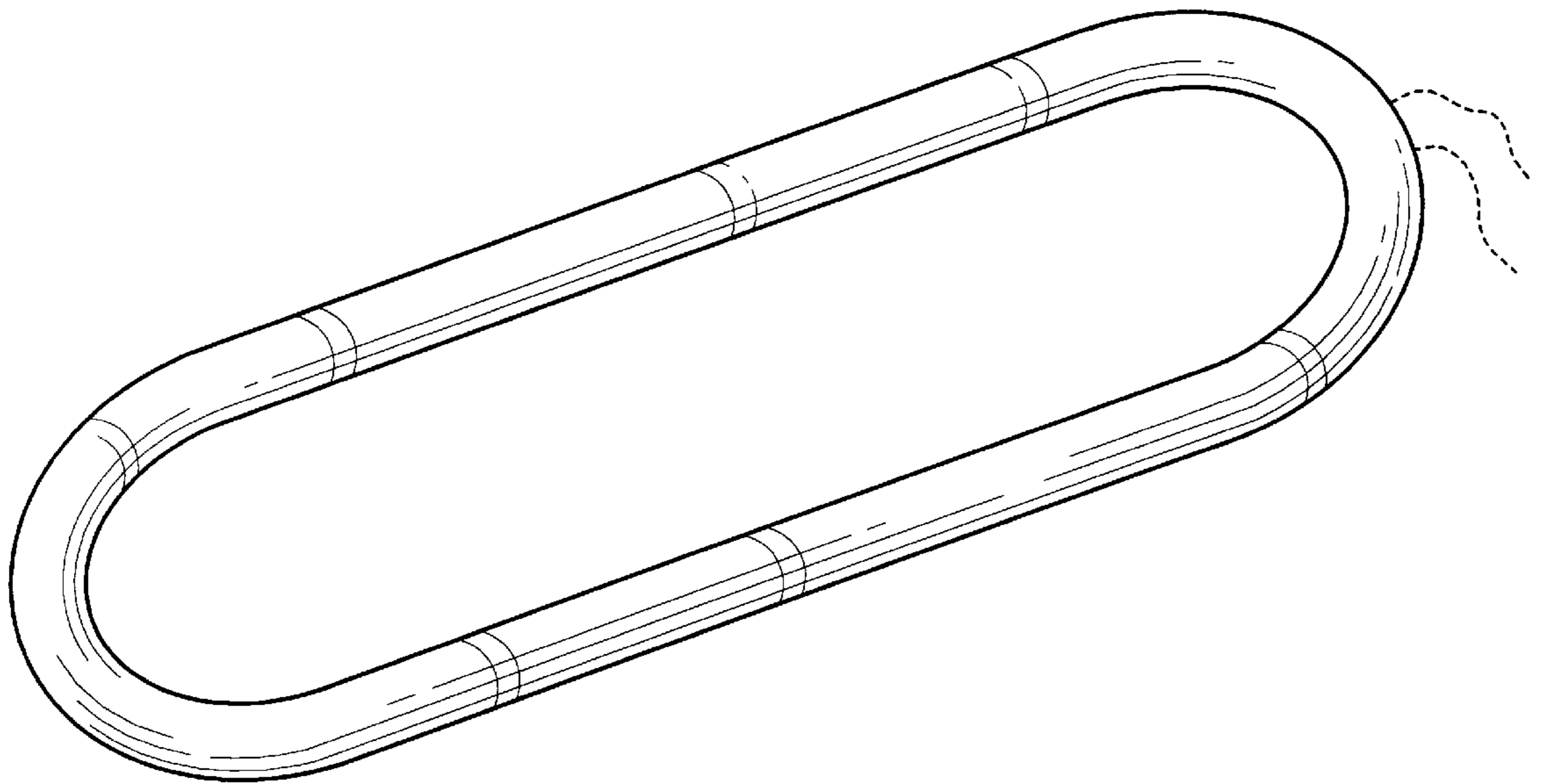


FIG. 1

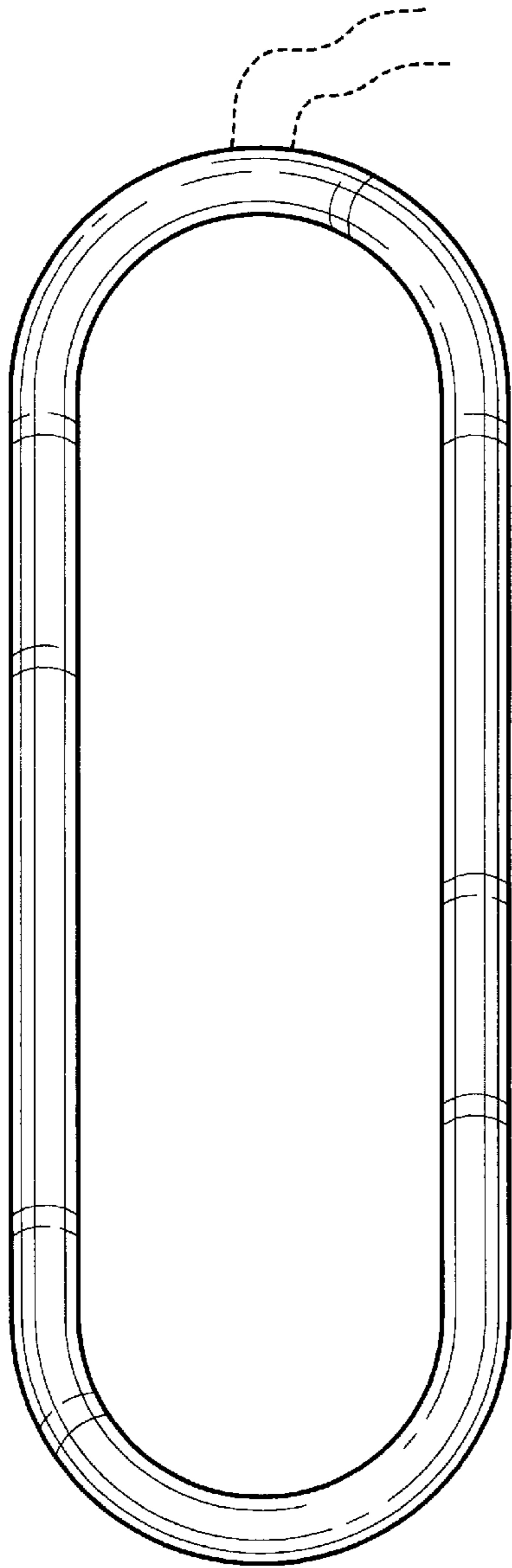


FIG. 2

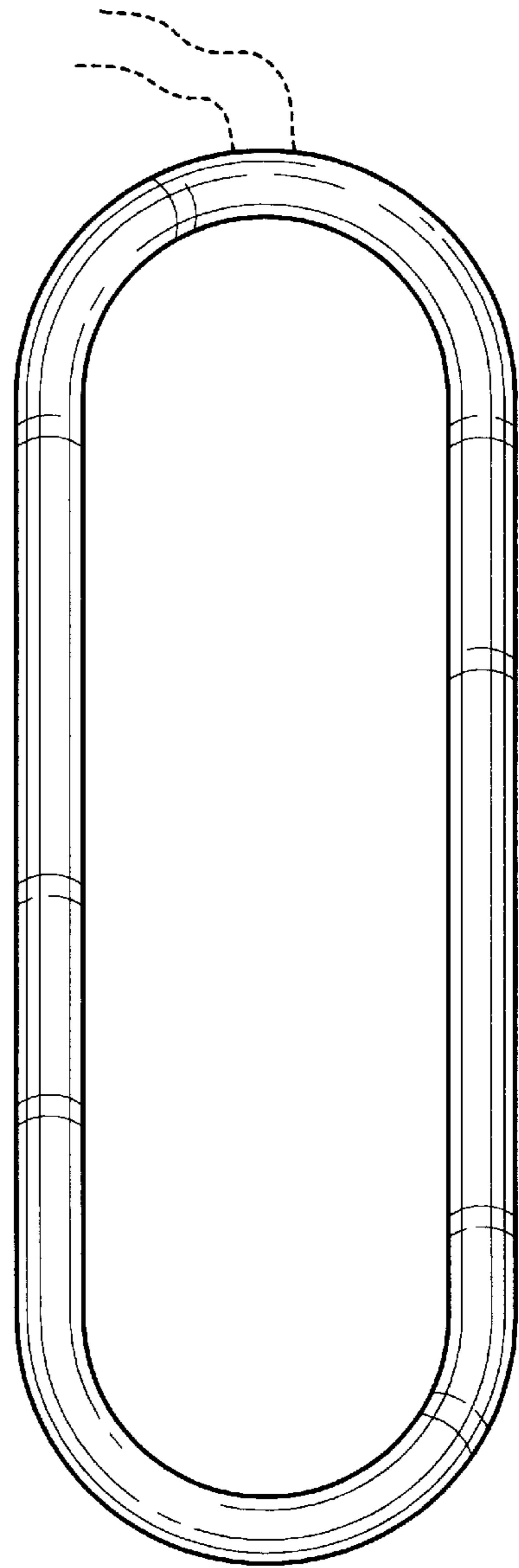


FIG. 3

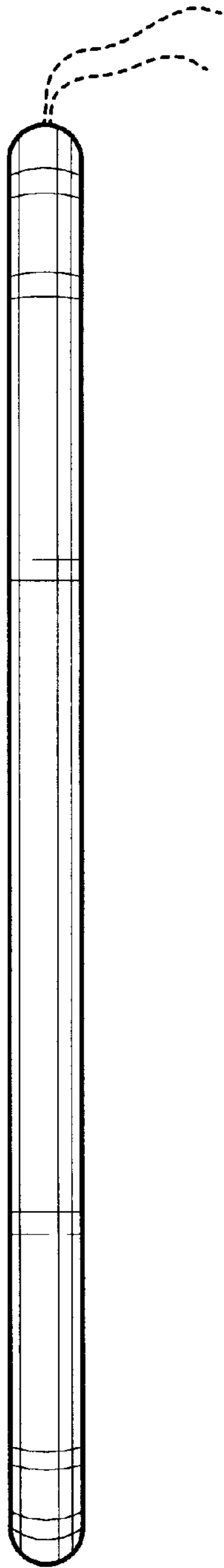


FIG. 4

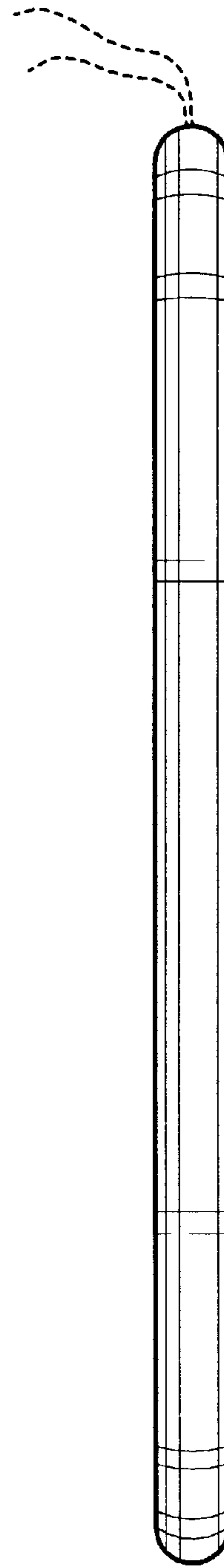


FIG. 5

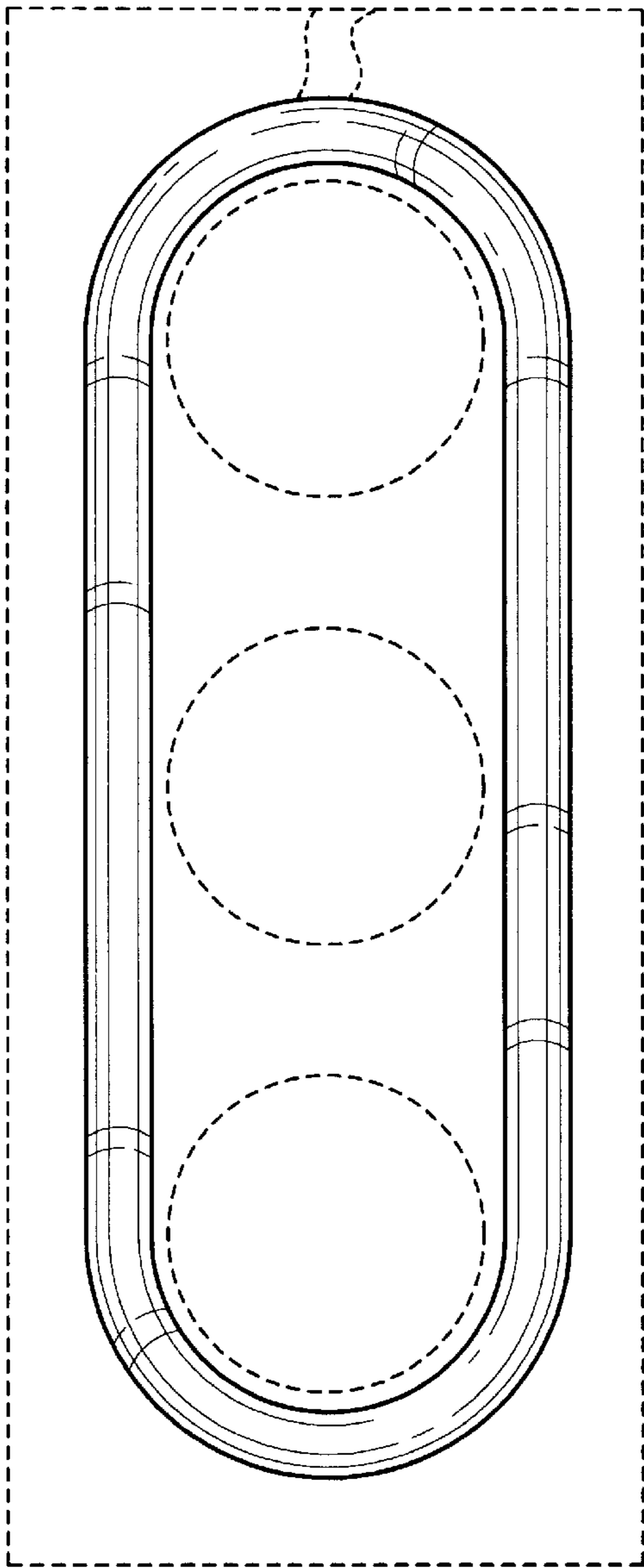


FIG. 6

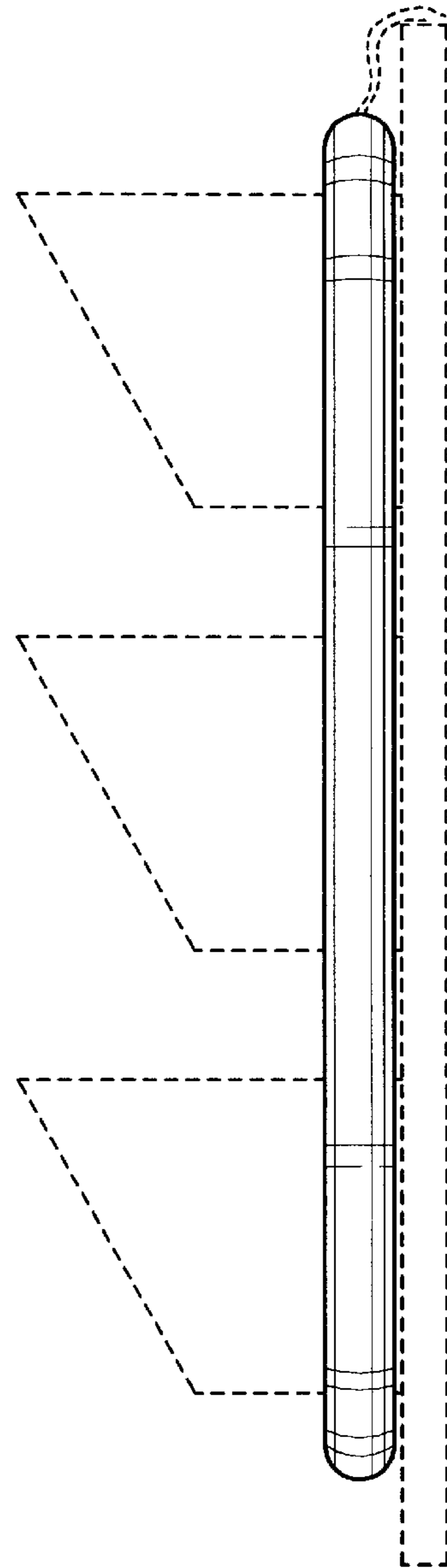


FIG. 7