



US00D438644S

(12) **United States Design Patent**
Habeck et al.

(10) **Patent No.:** **US D438,644 S**

(45) **Date of Patent:** **** Mar. 6, 2001**

(54) **GLIDER FRAME FOR SINGLE GLIDER WINDOW**

(75) **Inventors:** **Jerome Carl Habeck, Holt; Dennis C. Westphal, Parma, both of MI (US); David S. Levine, King of Prussia; Stanley Gursky, Yardley, both of PA (US)**

(73) **Assignee:** **CertainTeed Corporation, Valley Forge, PA (US)**

(**) **Term:** **14 Years**

(21) **Appl. No.:** **29/123,861**

(22) **Filed:** **May 26, 2000**

(51) **LOC (7) Cl.** **25-01**

(52) **U.S. Cl.** **D25/124**

(58) **Field of Search** D25/52, 60, 119-125; 49/DIG. 2, 504, 505, 404, 413, 419, 407-408; 52/204.56, 204.51, 230.3, 205.1, 202, 730.5, 731, 732, 738, 204.5

(56) **References Cited**

U.S. PATENT DOCUMENTS

D. 338,719 * 8/1993 Moss et al. D25/124

D. 390,974 * 2/1998 Opielski et al. D25/124

* cited by examiner

Primary Examiner—Doris Clark

(74) *Attorney, Agent, or Firm*—Duane Morris & Heckscher LLP

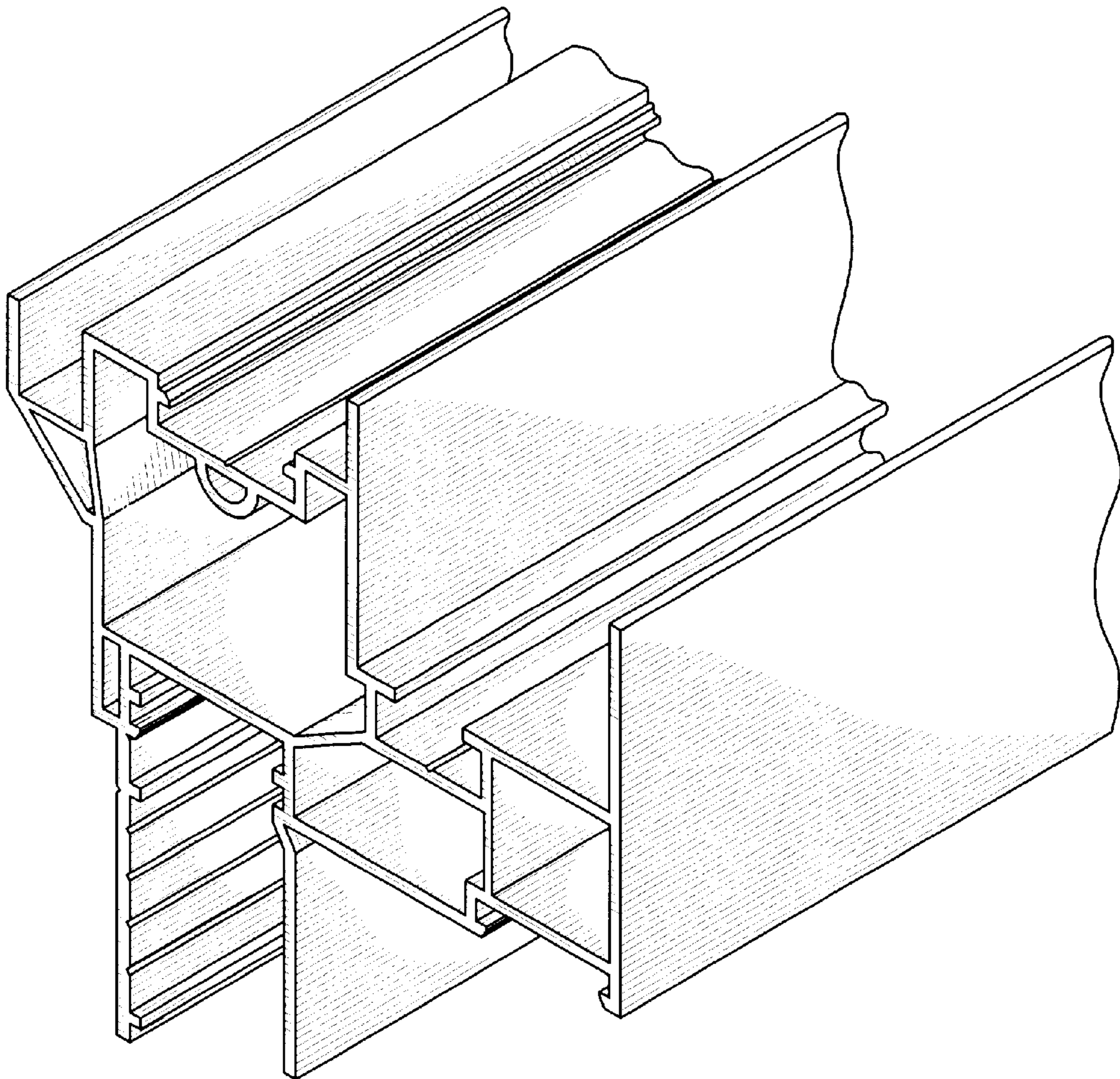
(57) **CLAIM**

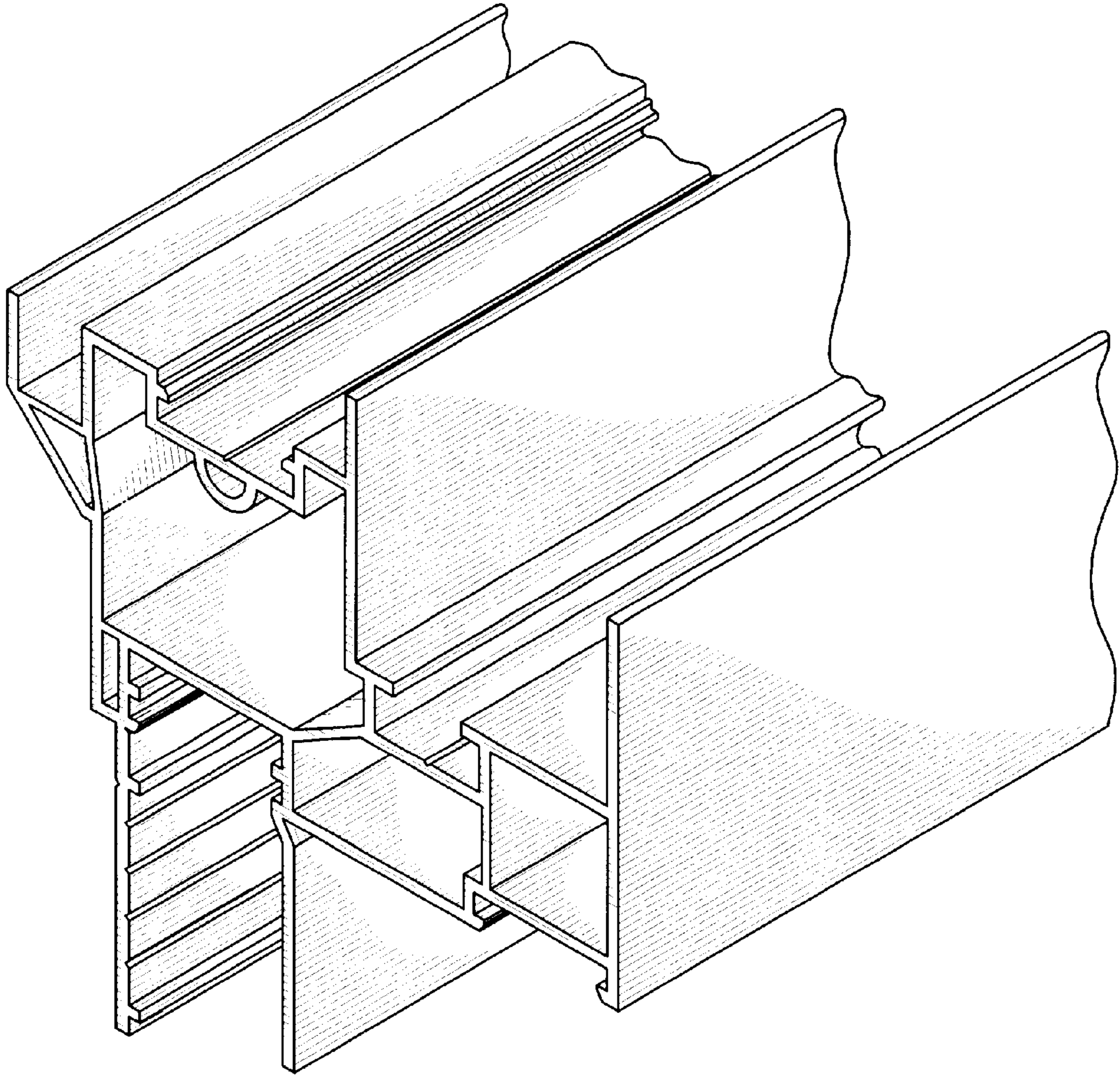
The ornamental design for a glider frame for single glider window, as shown and described.

DESCRIPTION

The FIGURE is a front perspective view of a glider frame for single glider window, showing our new design, the rear perspective view being a mirror image thereof, and is shown fragmented indicating indefinite length.

1 Claim, 1 Drawing Sheet





THE FIGURE