



US00D438640S

(12) **United States Design Patent**
Bolles et al.

(10) **Patent No.:** **US D438,640 S**

(45) **Date of Patent:** **** Mar. 6, 2001**

(54) **FACE OF A RETAINING WALL BLOCK**

(75) Inventors: **Glenn C. Bolles**, Edina; **David M. LaCroix**, Circle Pines; **Ronald J. Scherer**, Oak Park Heights, all of MN (US)

(73) Assignee: **Anchor Wall Systems, Inc.**, Minnetonka, MN (US)

(*) Notice: This patent is subject to a terminal disclaimer.

(**) Term: **14 Years**

(21) Appl. No.: **29/109,517**

(22) Filed: **Aug. 17, 1999**

(51) **LOC (7) Cl.** **25-01**

(52) **U.S. Cl.** **D25/113**

(58) **Field of Search** D25/102, 112-118, D25/164, 199; D21/484-486, 488-492, 499-500; 52/582.1, 588.1, 596; 404/29, 34, 37-42; 405/16, 272, 284-287, 287.1

(56) **References Cited**

U.S. PATENT DOCUMENTS

- Re. 34,314 7/1993 Forsberg .
- D. 295,788 5/1988 Forsberg .
- D. 295,790 5/1988 Forsberg .
- D. 296,007 5/1988 Forsberg .
- D. 296,365 6/1988 Forsberg .
- D. 297,464 8/1988 Forsberg .
- D. 297,574 9/1988 Forsberg .
- D. 297,767 9/1988 Forsberg .
- D. 298,463 11/1988 Forsberg .
- D. 299,067 12/1988 Forsberg .
- D. 299,069 12/1988 Risi et al. .
- D. 300,253 3/1989 Forsberg .
- D. 300,254 3/1989 Forsberg .
- D. 301,064 5/1989 Forsberg .
- D. 311,444 10/1990 Forsberg .
- D. 316,904 5/1991 Forsberg .
- D. 317,048 5/1991 Forsberg .
- D. 317,209 5/1991 Forsberg .

- D. 319,885 9/1991 Blomquist et al. .
- D. 321,060 10/1991 Blomquist et al. .
- D. 343,461 * 1/1994 Powell D25/114
- D. 346,667 5/1994 Blomquist et al. .
- D. 363,787 10/1995 Powell .
- D. 391,376 2/1998 Strand et al. .
- D. 415,845 * 10/1999 Staten et al. D25/113

(List continued on next page.)

FOREIGN PATENT DOCUMENTS

- 52765/86 8/1986 (AU) .
- 528788 5/1954 (BE) .

(List continued on next page.)

OTHER PUBLICATIONS

Handy-Stone™ Retaining Wall System Brochure, Handy-Stone™ Retaining Wall System, A Division of Kiltie Corporation, 3 pages. Copyright 1989.
Model Stone Co. (Tech-Stone™) Brochure, "Reference Standards", Model Stone Co., Minneapolis, Minnesota, 1 page (Date Unknown).

Primary Examiner—Louis S. Zarfaz
Assistant Examiner—Robert A. Delehanty
(74) *Attorney, Agent, or Firm*—Merchant & Gould P.C.

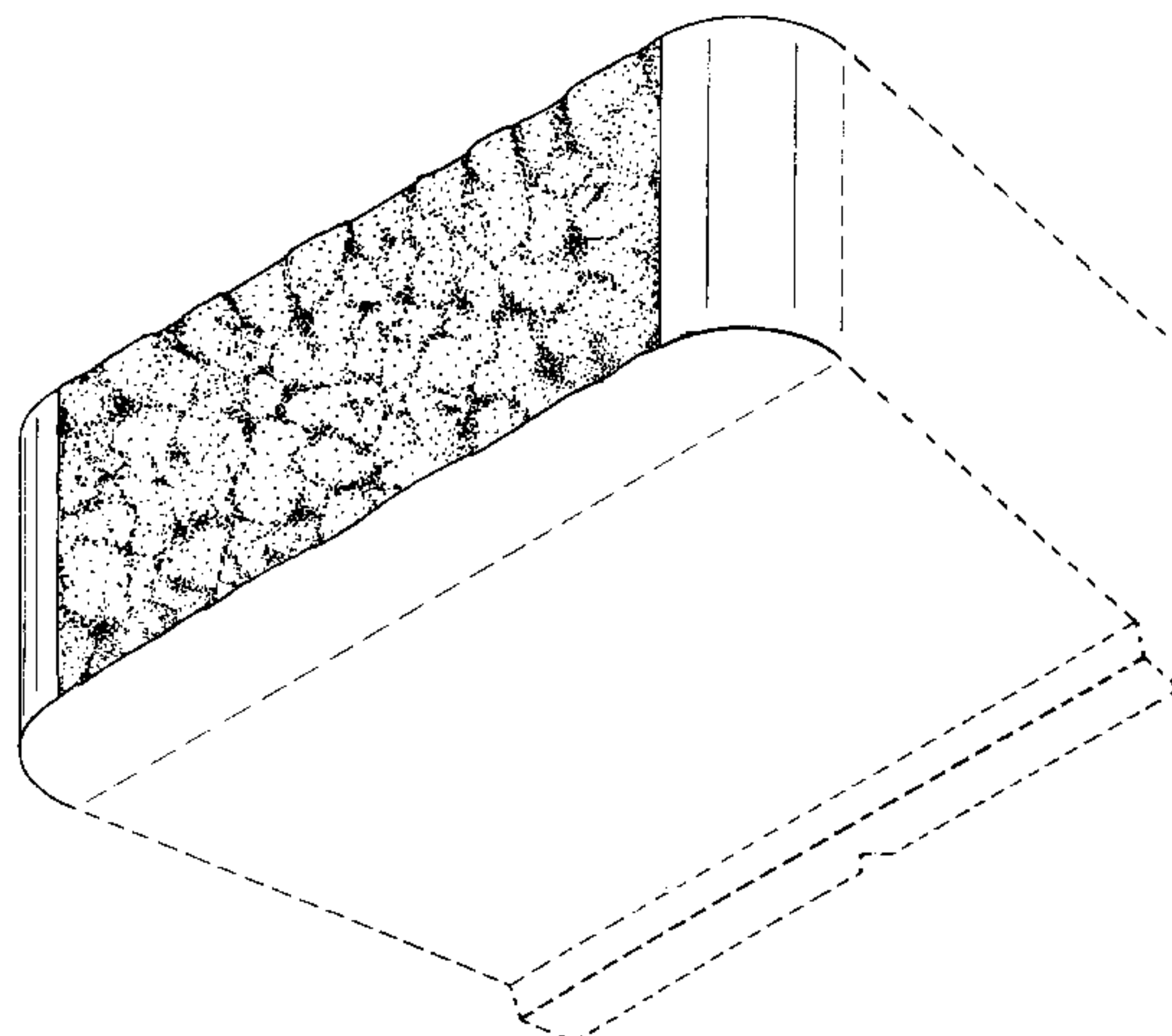
(57) **CLAIM**

The ornamental design for a face of a retaining wall block, as shown and described.

DESCRIPTION

FIG. 1 is a perspective view of the face of the retaining wall block of the invention.
FIG. 2 is a top plan view of the face depicted in FIG. 1.
FIG. 3 is a bottom plan view of the face depicted in FIG. 1.
FIG. 4 is a side elevation of the face depicted in FIG. 1. The opposite side is a mirror image; and,
FIG. 5 is a front elevation of the face depicted in FIG. 1.
The broken lines defining the boundaries of the claimed design form no part thereof and the broken lines defining the remainder of the retaining wall block are for illustrative purposes only and form no part of the claimed design.

1 Claim, 3 Drawing Sheets



US D438,640 S

Page 2

U.S. PATENT DOCUMENTS				
			5,505,034	4/1996 Dueck .
			5,622,456	4/1997 Risi et al. .
B1 D. 380,				
560	* 10/1999	Forsberg D25/113		
1,534,353	4/1925	Besser .		
2,094,167	9/1937	Evers .	569878	8/1958 (BE) .
2,197,960	4/1940	Alexander .	50020	7/1982 (CA) .
2,219,606	10/1940	Schoick .	62875	4/1989 (CA) .
3,631,682	1/1972	Hilfiker et al. .	67904	1/1991 (CA) .
4,193,718	3/1980	Wahrendorf et al. .	90 15 196	4/1991 (DE) .
4,711,606	12/1987	Leling et al. .	296 10 306	
4,802,320	2/1989	Forsberg .	U1	10/1996 (DE) .
4,825,619	5/1989	Forsberg .	944066	12/1963 (GB) .
4,860,505	8/1989	Bender .	24781	5/1993 (NZ) .
4,914,876	4/1990	Forsberg .	25131	6/1994 (NZ) .
5,017,049	5/1991	Sievert .	25132	6/1994 (NZ) .
5,031,376	7/1991	Bender et al. .	25133	6/1994 (NZ) .
5,062,610	11/1991	Woolford et al. .	27315	6/1996 (NZ) .
5,161,918	11/1992	Hodel .	27318	6/1996 (NZ) .
5,249,950	10/1993	Woolford .	27346	9/1996 (NZ) .
5,294,216	3/1994	Sievert .	27675	9/1996 (NZ) .
5,353,569	10/1994	Rodrique .	27676	9/1996 (NZ) .
5,484,236	1/1996	Gravier .		
5,490,363	2/1996	Woolford .		

FOREIGN PATENT DOCUMENTS

* cited by examiner

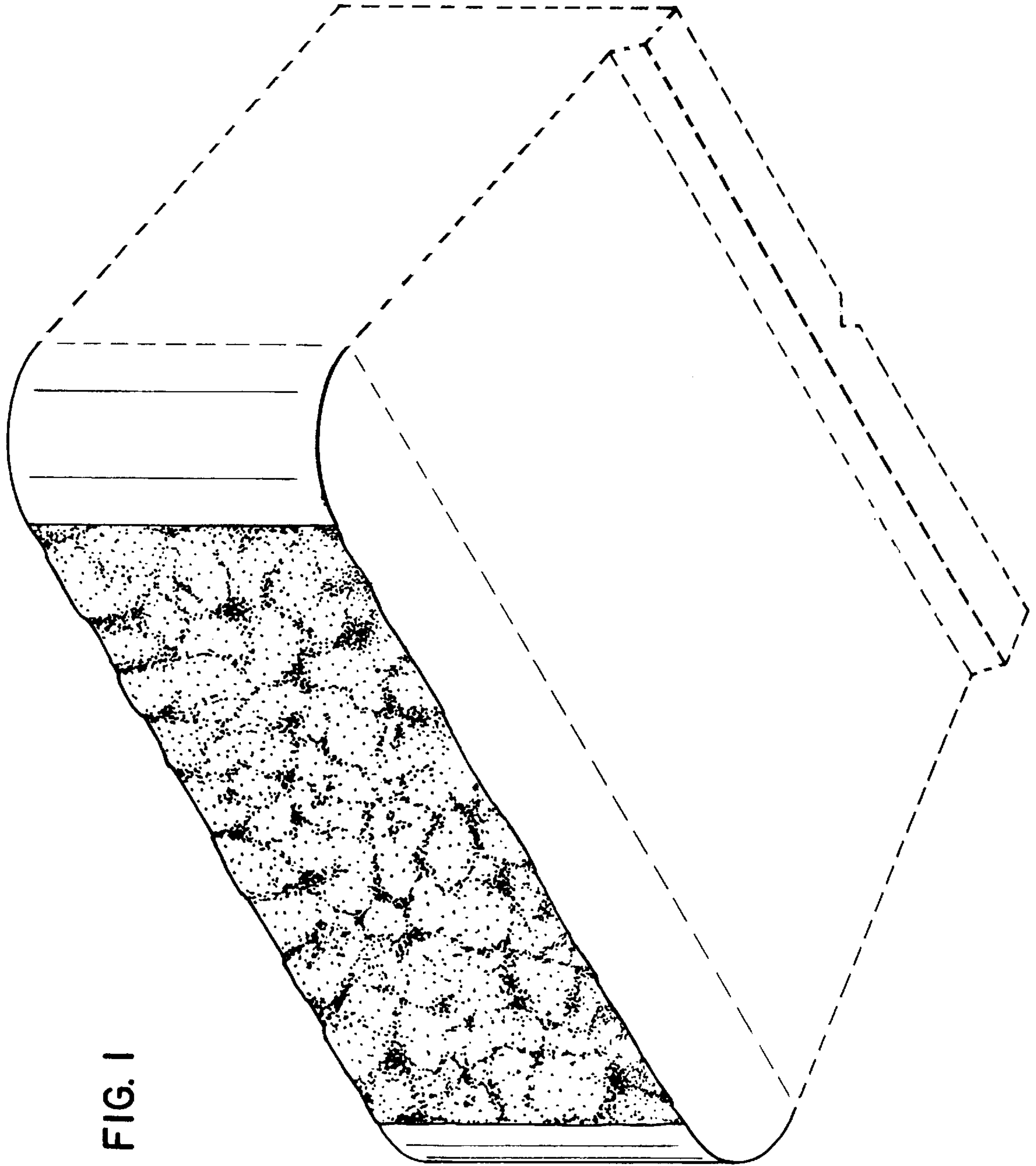


FIG. 1

FIG. 2

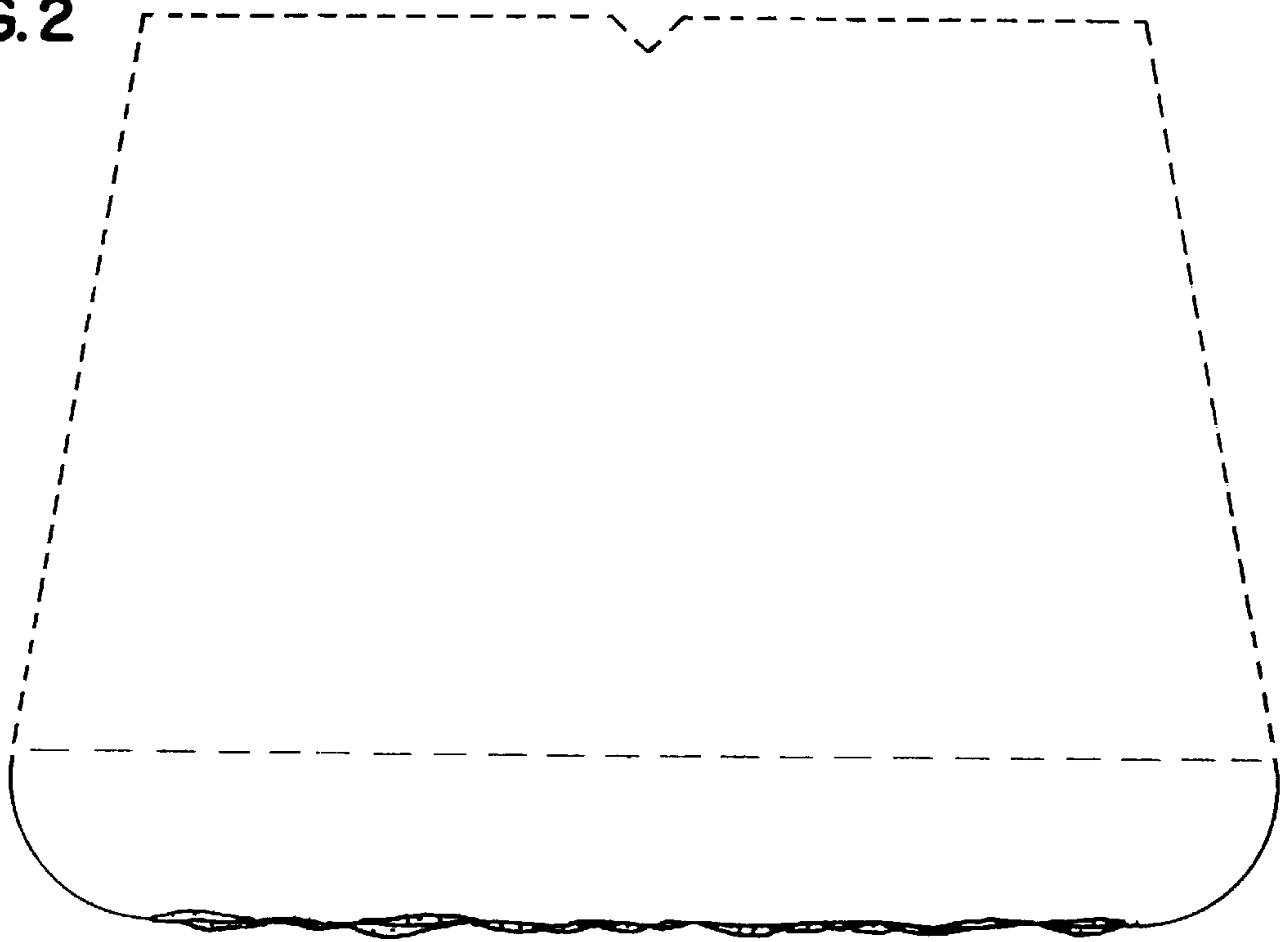


FIG. 3

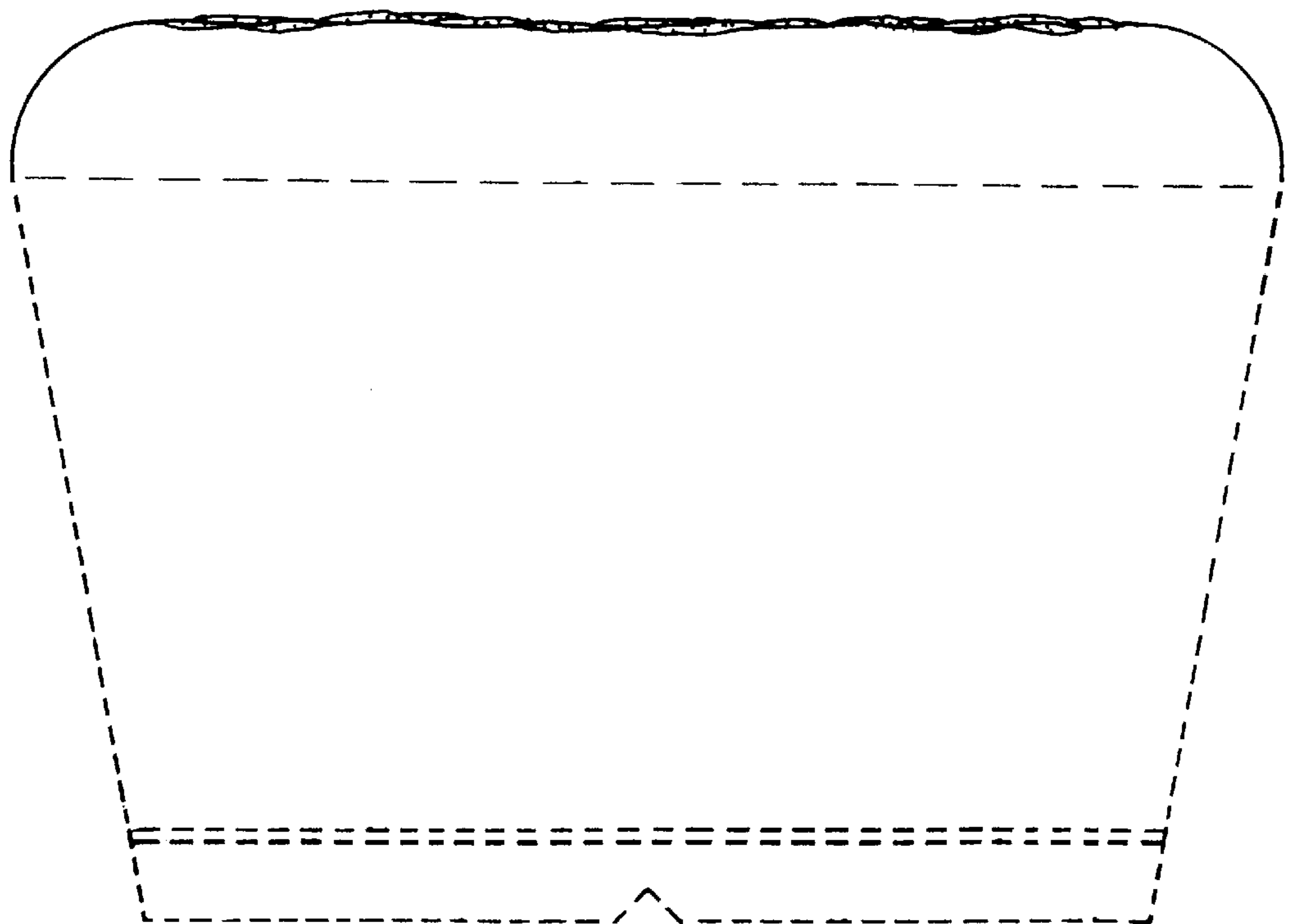


FIG. 4

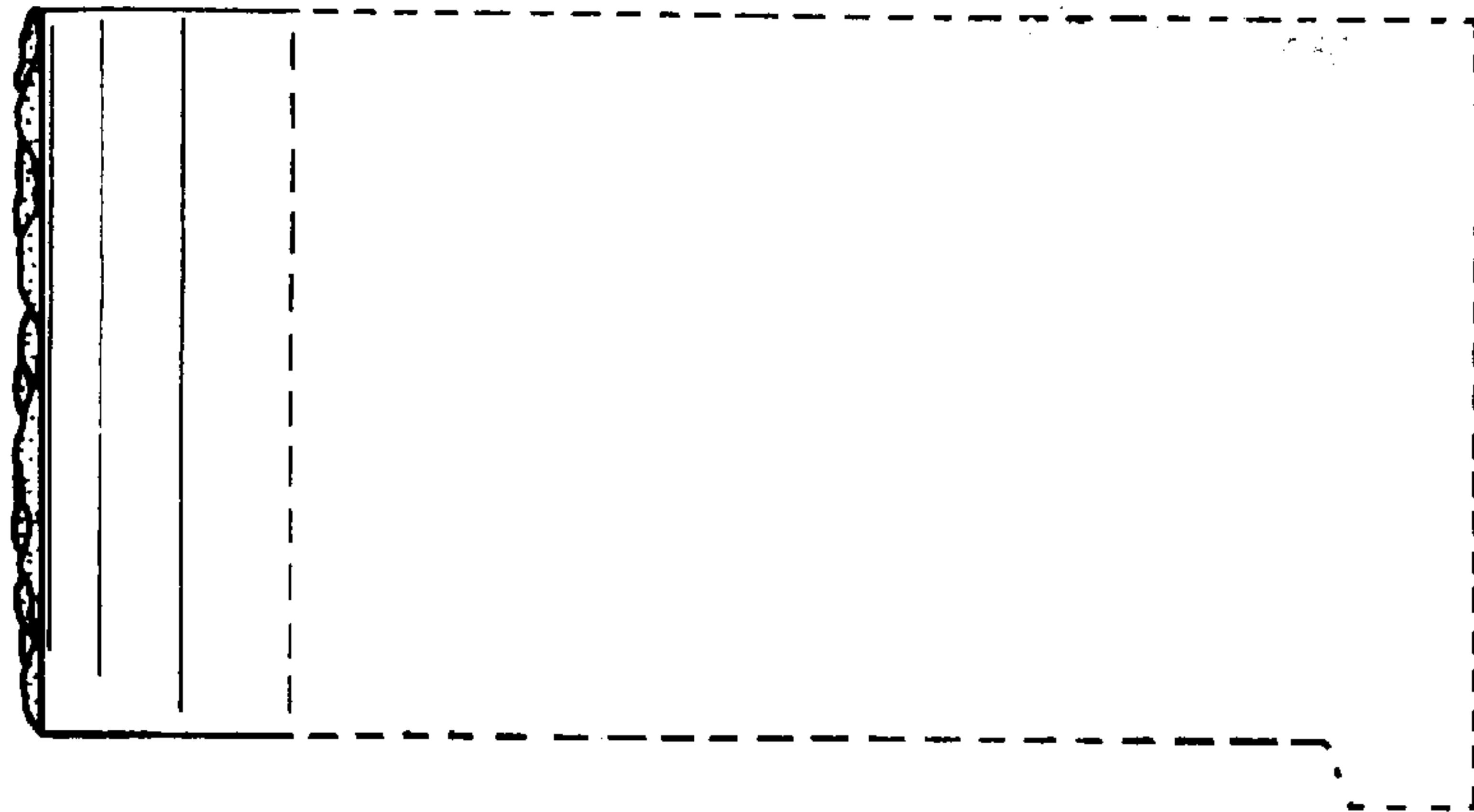


FIG. 5

