



US00D438635S

(12) **United States Design Patent**
Da Costa

(10) **Patent No.:** **US D438,635 S**

(45) **Date of Patent:** **** Mar. 6, 2001**

(54) **BUS SHELTER**

D. 338,073 * 8/1993 Wall D25/1
2,572,732 * 10/1951 Keklen et al. 52/36.2

(75) Inventor: **Guto Indio Da Costa**, Rio de Janeiro
(BR)

* cited by examiner

(73) Assignee: **Decaux SA** (FR)

Primary Examiner—Doris Clark

(**) Term: **14 Years**

(74) *Attorney, Agent, or Firm*—Piper Marbury Rudnick & Wolfe

(21) Appl. No.: **29/116,111**

(57) **CLAIM**

(22) Filed: **Dec. 28, 1999**

The ornamental design for a bus shelter, as shown.

(30) **Foreign Application Priority Data**

DESCRIPTION

Jul. 5, 1999 (FR) 99 4258

(51) **LOC (7) Cl.** **25-03**

(52) **U.S. Cl.** **D25/1**

(58) **Field of Search** 52/36.1, 36.2,
52/79.1; D25/1, 4

FIG. 1 is a front perspective view;

FIG. 2 is a front elevation view;

FIG. 3 is a rear elevation view;

FIG. 4 is a right side elevation view;

FIG. 5 is a top plan view; and,

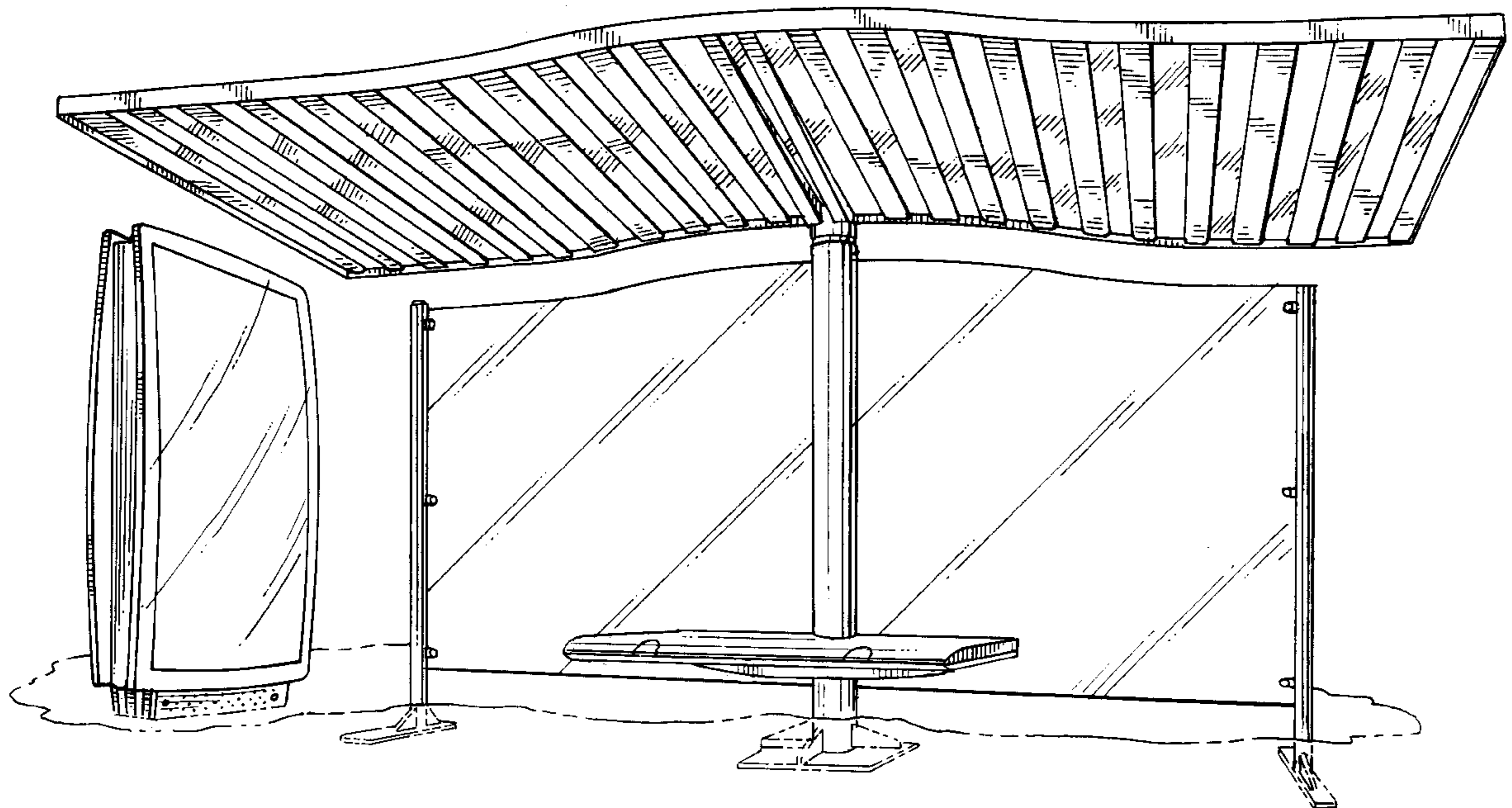
FIG. 6 is a left side elevation view.

(56) **References Cited**

U.S. PATENT DOCUMENTS

D. 336,136 * 6/1993 Foster D25/1

1 Claim, 6 Drawing Sheets



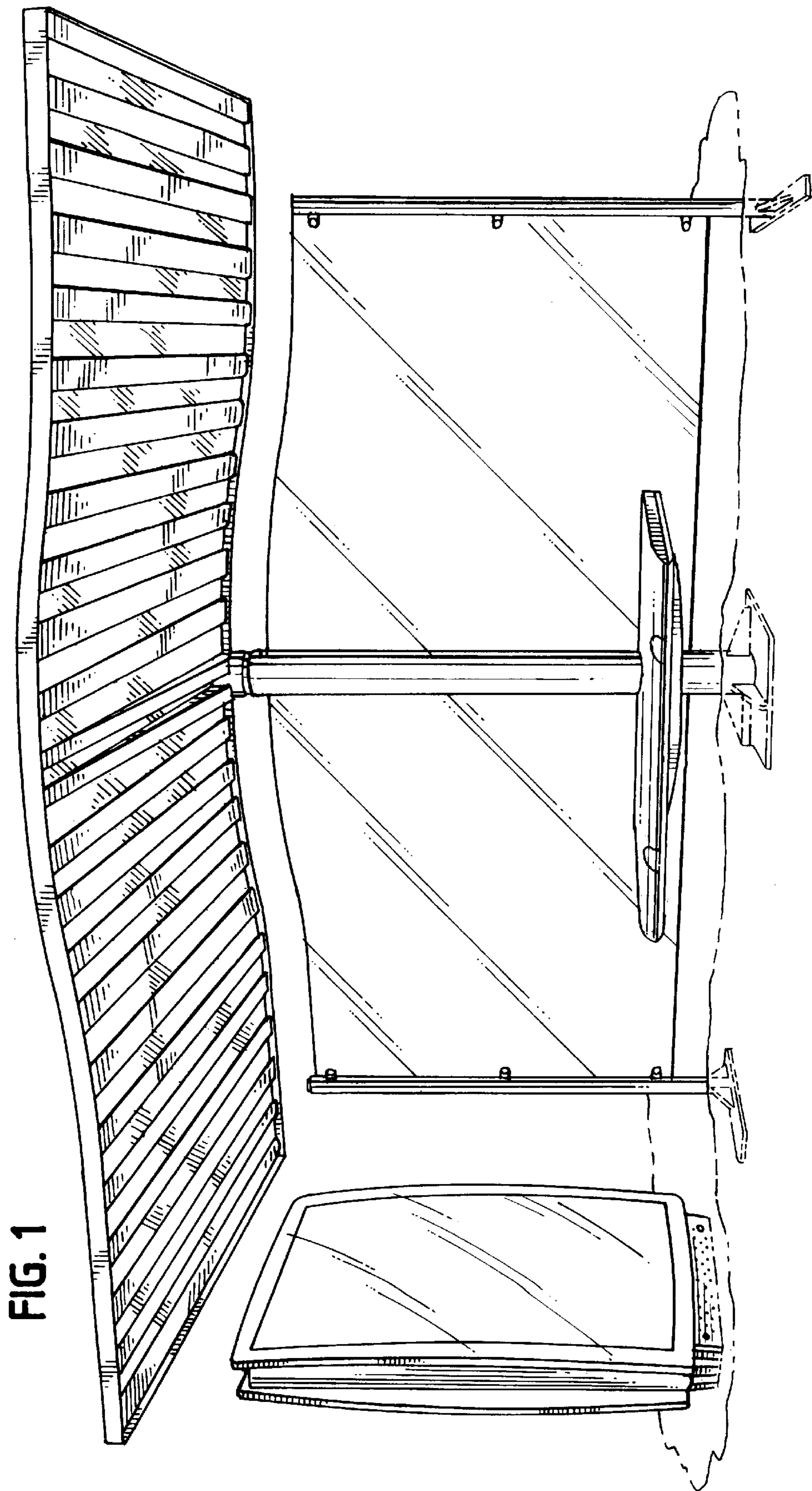


FIG. 1

FIG. 2

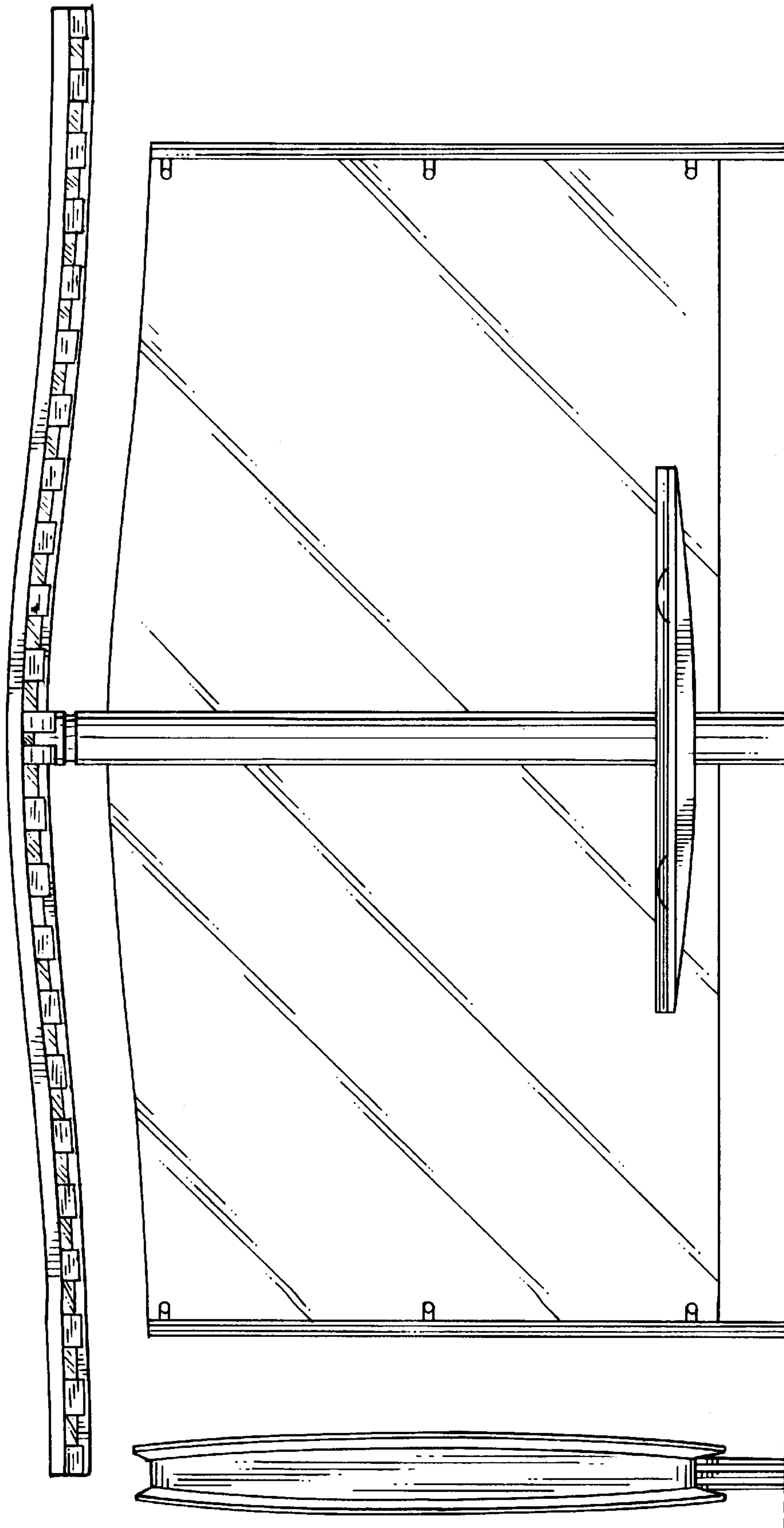


FIG. 3

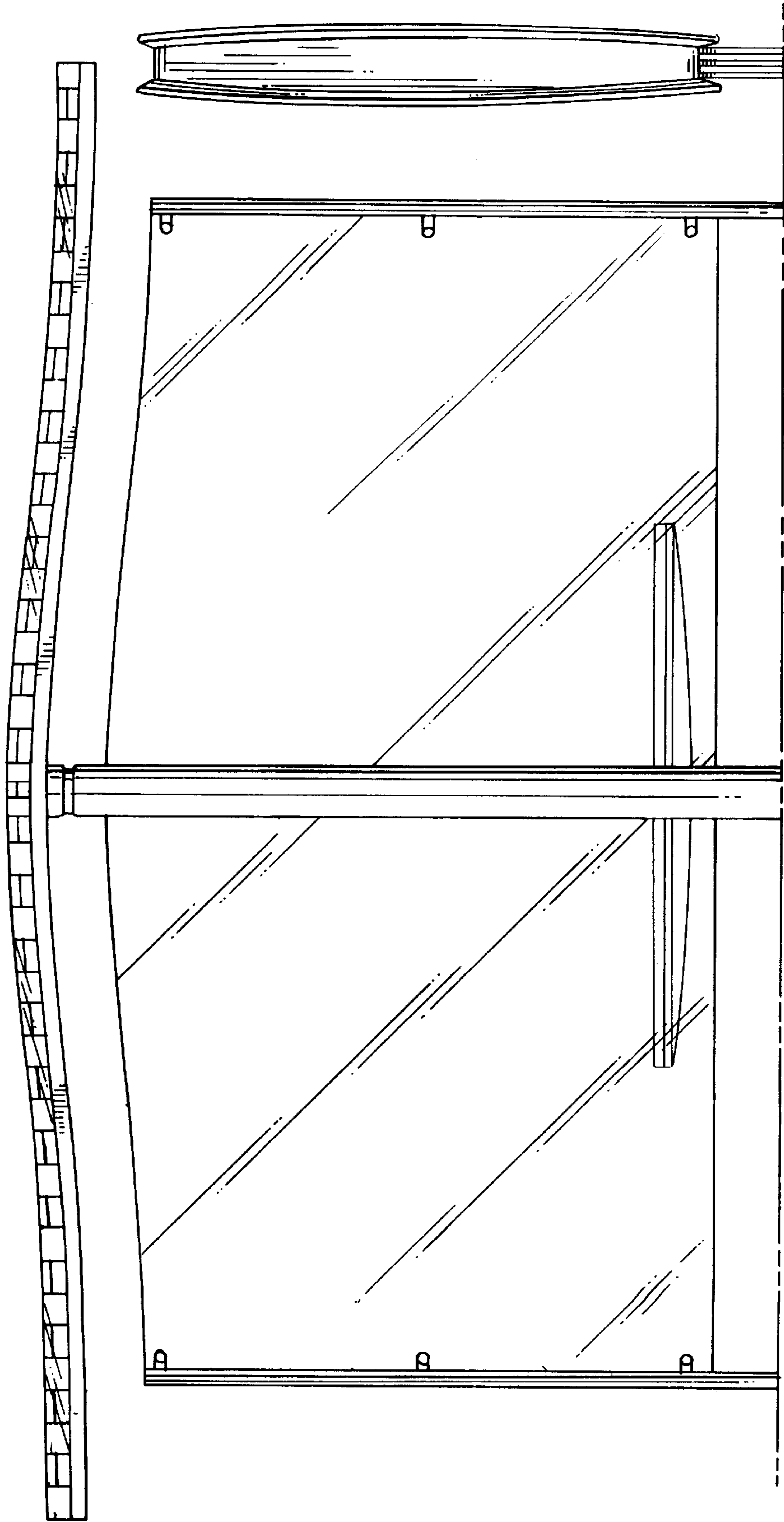


FIG. 4

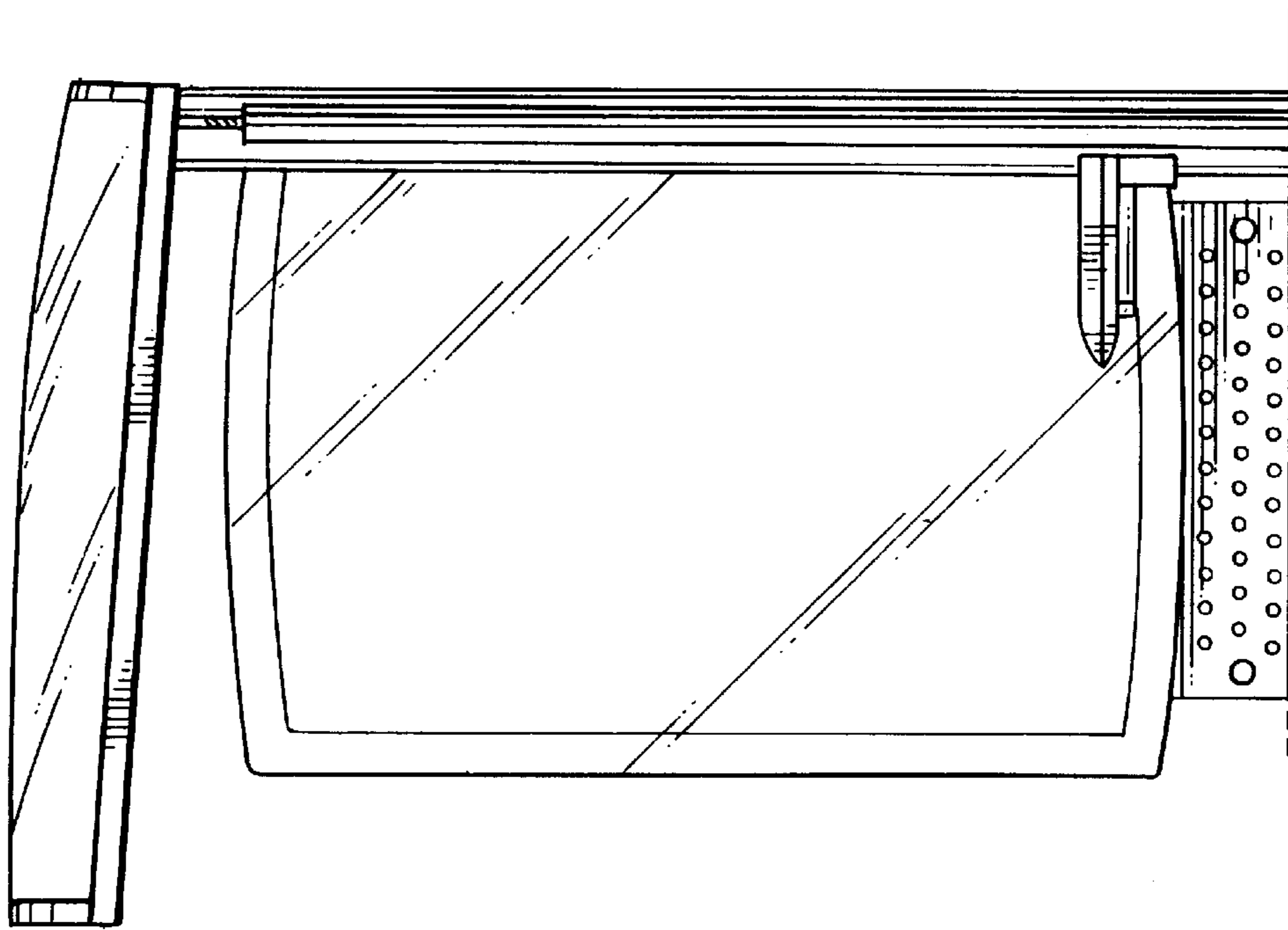


FIG. 5

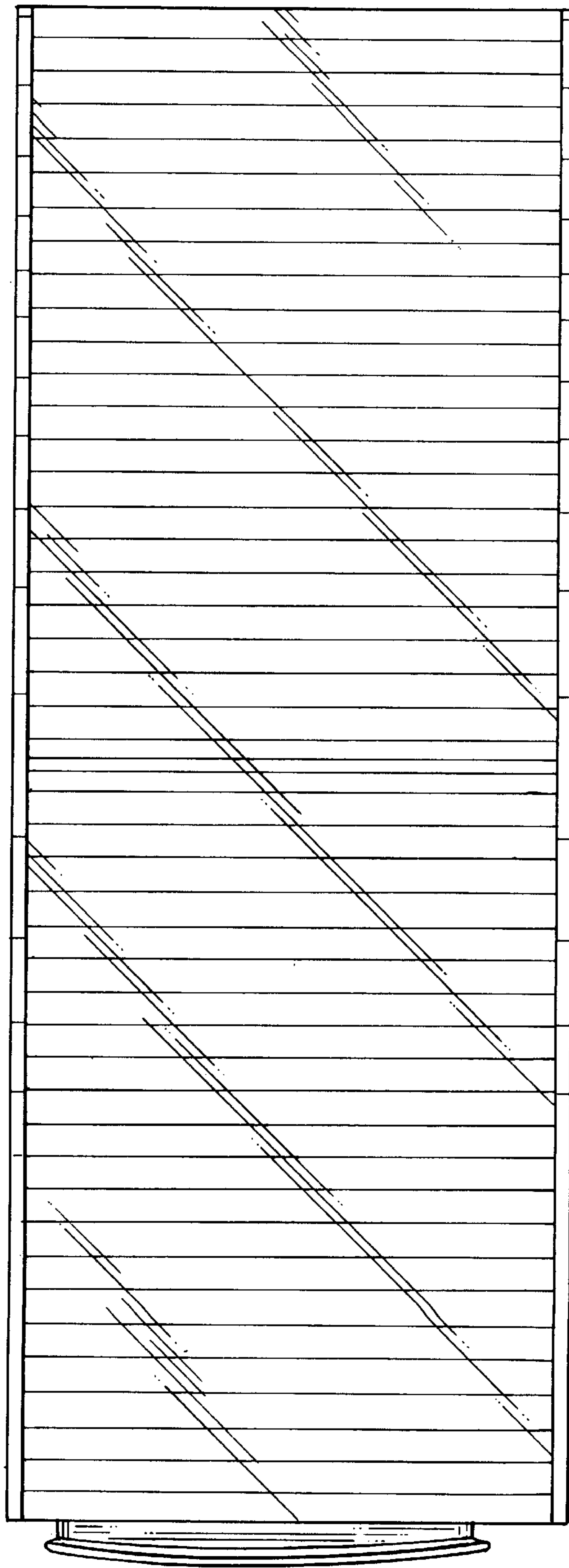


FIG. 6

