



US00D438633S

(12) **United States Design Patent**
Miller

(10) **Patent No.:** **US D438,633 S**

(45) **Date of Patent:** **** Mar. 6, 2001**

(54) **REAGENT CARTRIDGE FOR TREATING A SAMPLE**

(75) Inventor: **Bruce E. Miller**, Newton, MA (US)

(73) Assignee: **Compucyte Corporation**, Cambridge, MA (US)

(**) Term: **14 Years**

(21) Appl. No.: **29/115,866**

(22) Filed: **Dec. 21, 1999**

(51) **LOC (7) Cl.** **24-01**

(52) **U.S. Cl.** **D24/224; D24/216**

(58) **Field of Search** D24/224, 225,
D24/216, 230, 229; 422/102, 104, 58, 63,
64; 436/805

(56) **References Cited**

U.S. PATENT DOCUMENTS

D. 320,280	*	9/1991	Holen	D24/224
4,195,060	*	3/1980	Terk	422/102
5,053,197	*	10/1991	Bowen	422/58
5,147,609	*	9/1992	Grenner	422/58
5,167,922	*	12/1992	Long	422/58
5,227,290		7/1993	Pocock	435/7.1
5,401,637		3/1995	Pocock	435/7.1
5,409,832		4/1995	Pocock	435/287
5,788,928	*	8/1998	Carey et al.	422/102

OTHER PUBLICATIONS

CompuCyte Corporation, (Feb. 16, 1999); Online Web Site. "New Technology Addresses Crucial 21st Century Medico-Economic Needs," 1 page; Available Web Site: www.compucyte.com/newoncyte/oncyte_system1.html "OnCyte Designed as a Totally Integrated System to Perform a New Class of Diagnostic Tests," 2 pages; Available Web Site: www.compucyte.com/newoncyte/oncyte_system2.html

"Cellular Diagnostic Test Markets," 1 page; Available Web Site: www.compucyte.com/newoncyte/oncyte_system3.html "Initial OnCyte Cardiovascular Applications," 1 page; Available Web Site: www.compucyte.com/newoncyte/oncyte_system4.html "Very Early Test for Heart Attacks," 2 pages; Available Web Site: www.compucyte.com/newoncyte/oncyte_system5.html "Rapid Test for Blood-Borne Infections in Neonates," 2 pages; Available Web Site: www.compucyte.com/newoncyte/oncyte_system7.html "System Overview," 1 page; Available Web Site: www.compucyte.com/newoncyte/oncyte_system8.html "Drug Development and Theranostics," 2 pages; Available Web Site: www.compucyte.com/newoncyte/oncyte_system9.html Updated in Apr. 1999 with graphics file Accessed on Oct. 20, 1999.

* cited by examiner

Primary Examiner—Ian Simmons

(74) *Attorney, Agent, or Firm*—Testa Hurwitz & Thibeault LLP

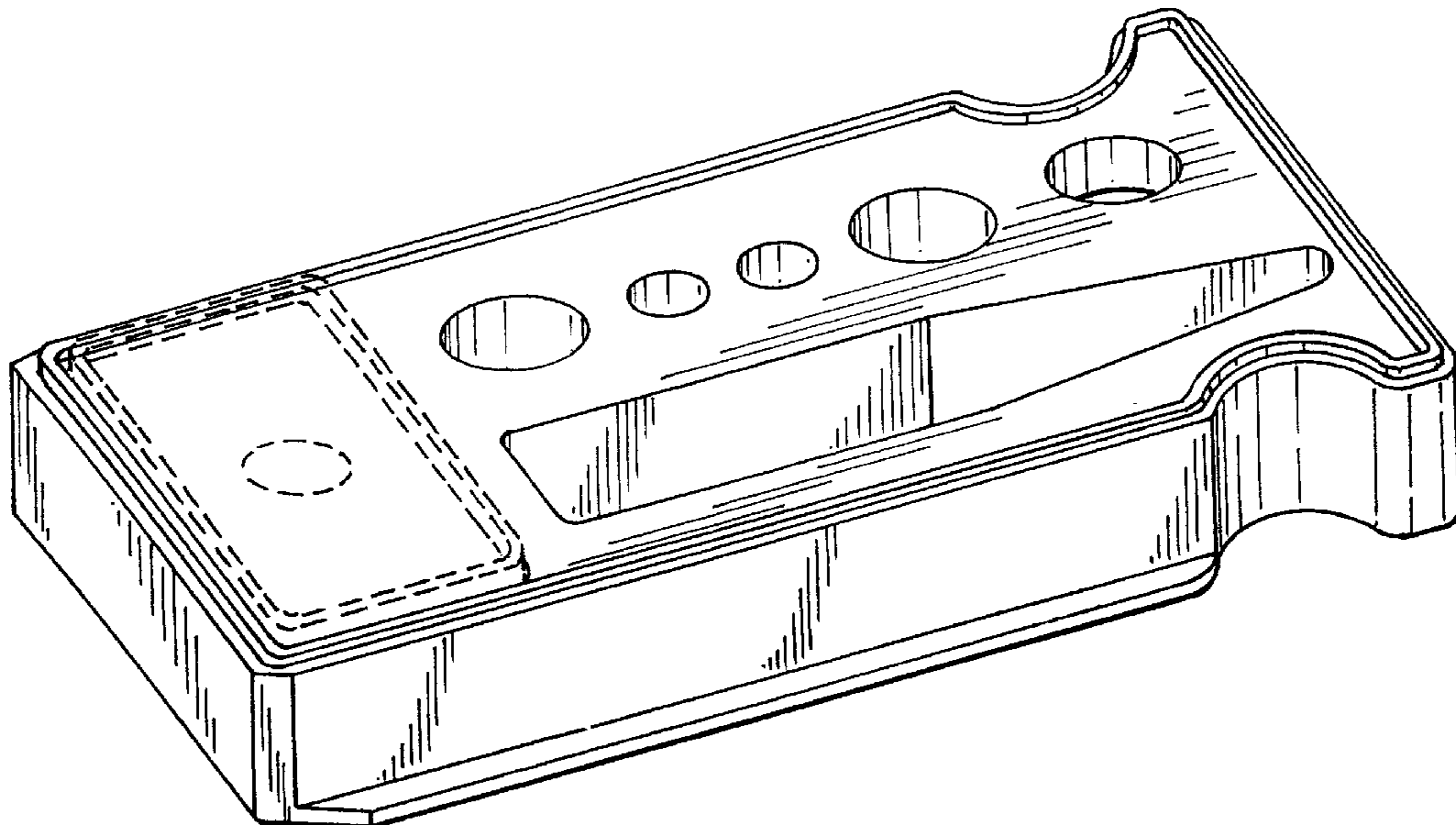
(57) **CLAIM**

The ornamental design for a reagent cartridge for treating a sample, as shown and described.

DESCRIPTION

FIG. 1 is a perspective view of an embodiment of a reagent cartridge for treating a sample; FIG. 2 is a left side view of the embodiment of FIG. 1; FIG. 3 is a top view of the embodiment of FIG. 1; FIG. 4 is a right side view of the embodiment of FIG. 1; FIG. 5 is a rear side view of the embodiment of FIG. 1; FIG. 6 is a bottom view of the embodiment of FIG. 1; and, FIG. 7 is a front side view of the embodiment of FIG. 1. The portion of the article shown in broken lines throughout the views is for illustrative purposes only and does not form an integral part of the disclosed and claimed design.

1 Claim, 3 Drawing Sheets



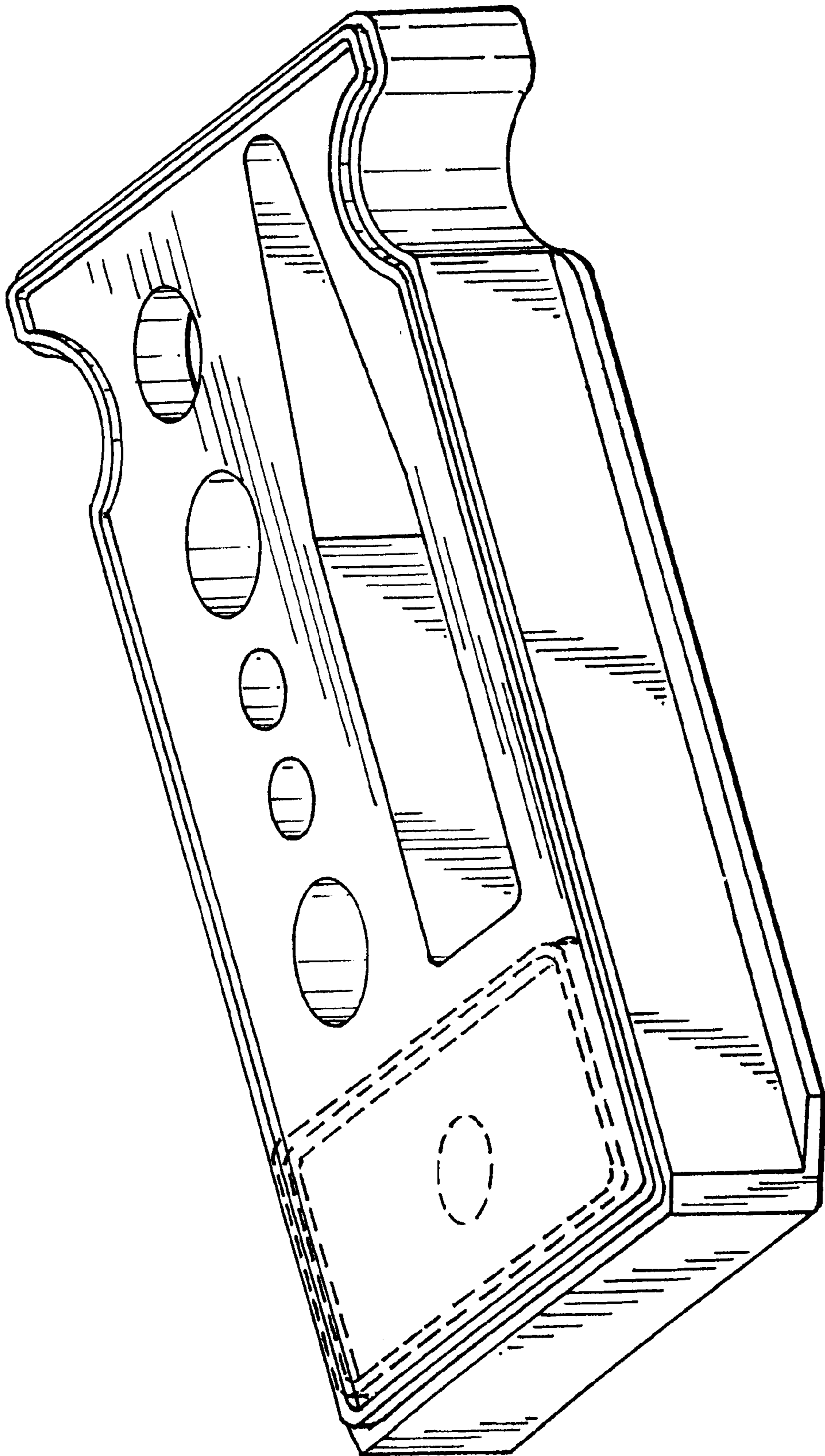


FIG. 1

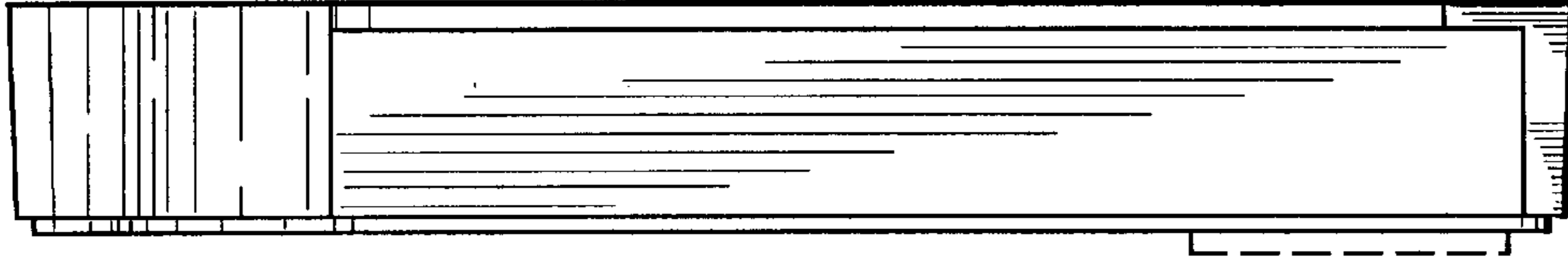


FIG. 4

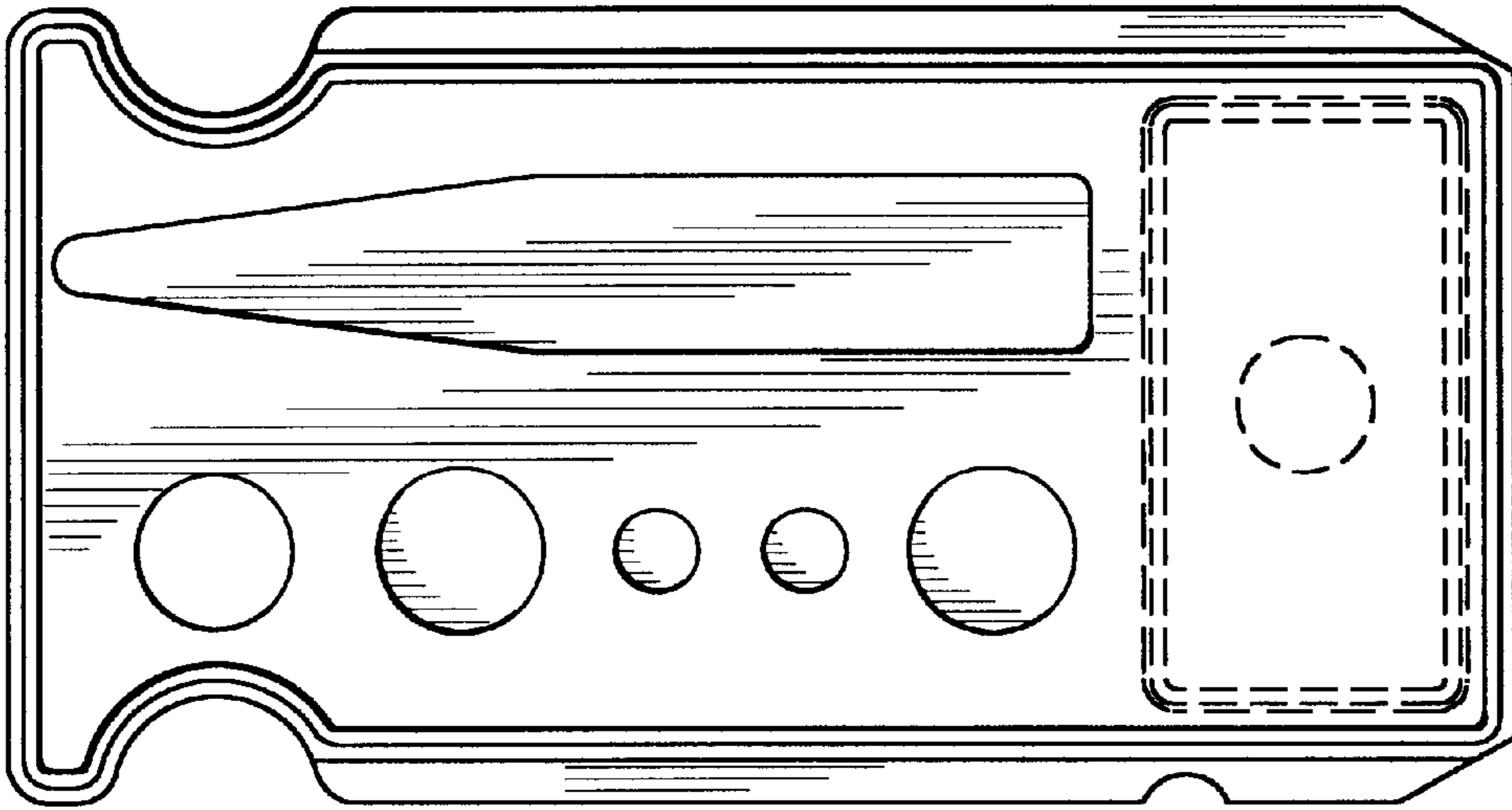


FIG. 3

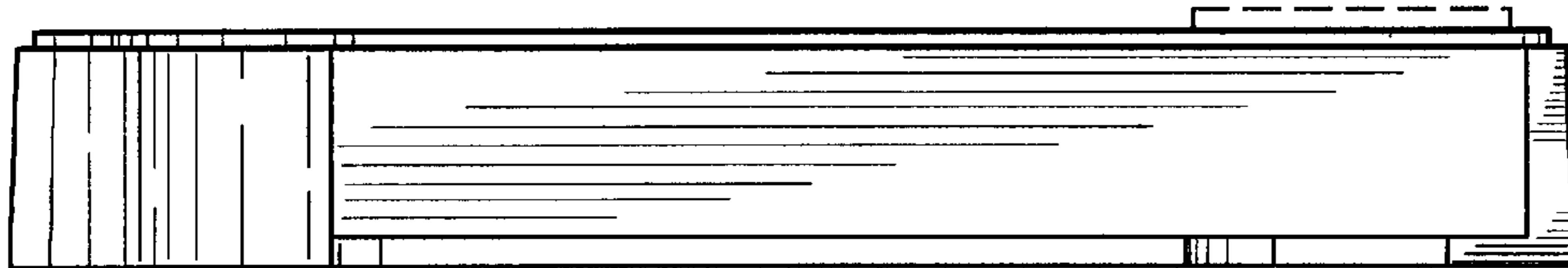


FIG. 2

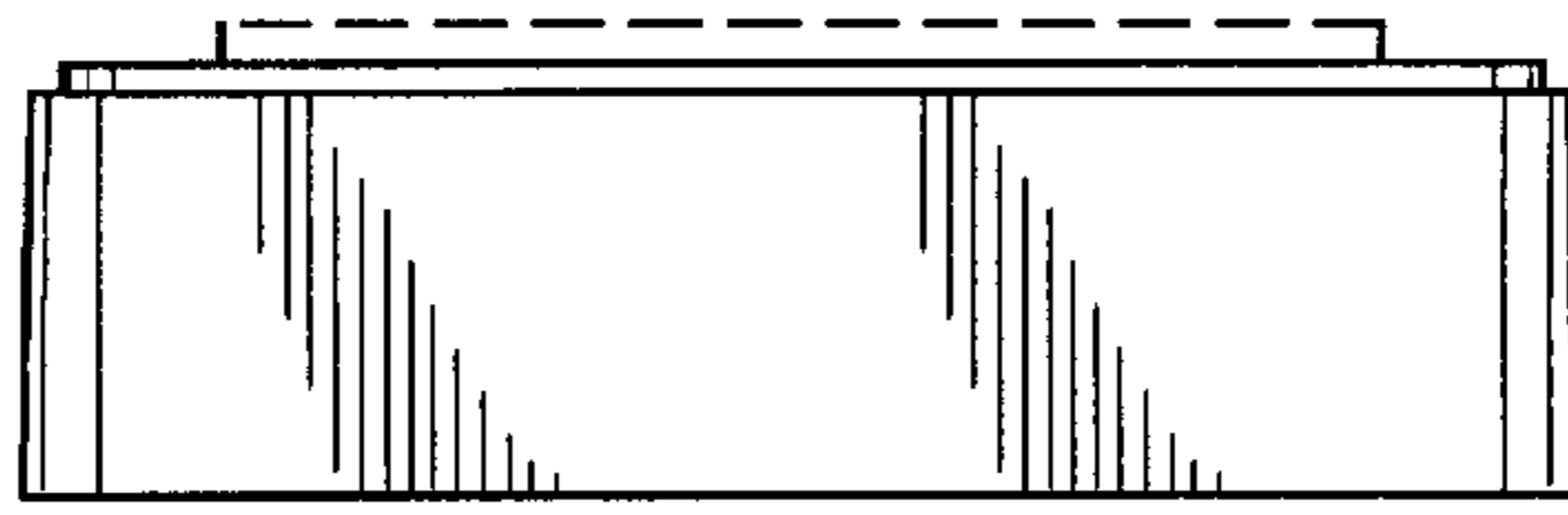


FIG. 5

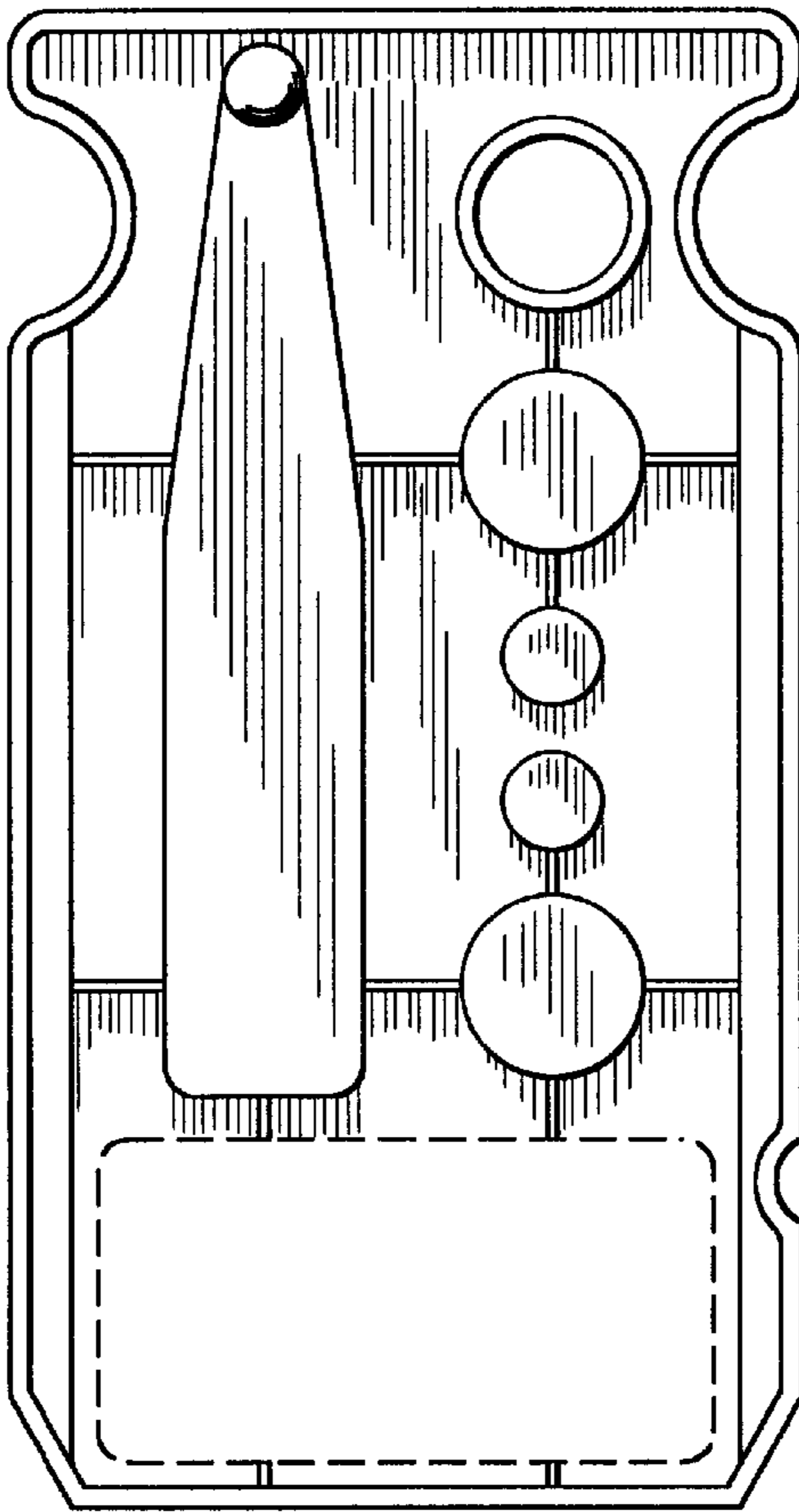


FIG. 6

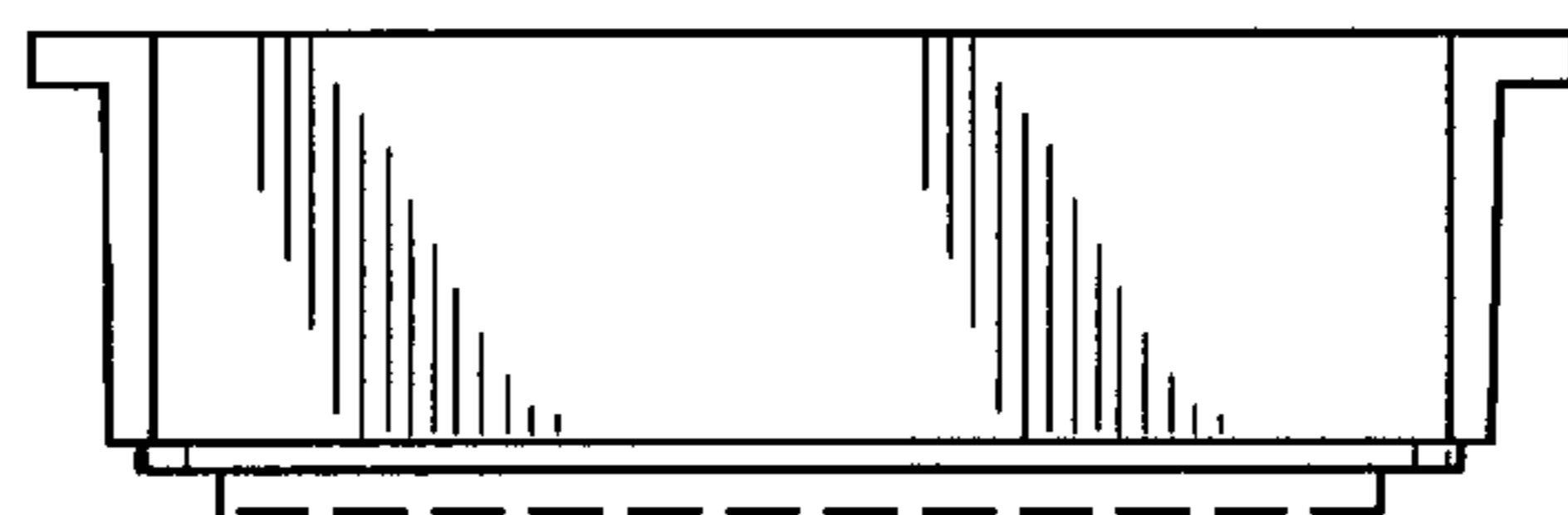


FIG. 7