



US00D438629S

(12) **United States Design Patent**
Stevens

(10) **Patent No.:** **US D438,629 S**

(45) **Date of Patent:** **** Mar. 6, 2001**

- (54) **PIPET**
- (75) Inventor: **Timothy A. Stevens**, Warwick, NY (US)
- (73) Assignee: **Becton Dickinson and Company**, Franklin Lakes, NJ (US)
- (*) Notice: This patent is subject to a terminal disclaimer.
- (**) Term: **14 Years**
- (21) Appl. No.: **29/108,449**
- (22) Filed: **Jul. 27, 1999**
- (51) **LOC (7) Cl.** **24-02**
- (52) **U.S. Cl.** **D24/222**
- (58) **Field of Search** D24/222; 422/100, 422/99; 73/864.01, 864.03, 864.2, 863.32, 863.58

D. 401,698	*	11/1998	Daniels	D24/222
3,864,979	*	2/1975	Ayres	73/864.02
4,210,156	*	7/1980	Bennett	73/864.01
5,516,564	*	5/1996	Root et al.	422/100

* cited by examiner

Primary Examiner—Ian Simmons

(74) *Attorney, Agent, or Firm*—Nanette S. Thomas, Esq.

(57) **CLAIM**

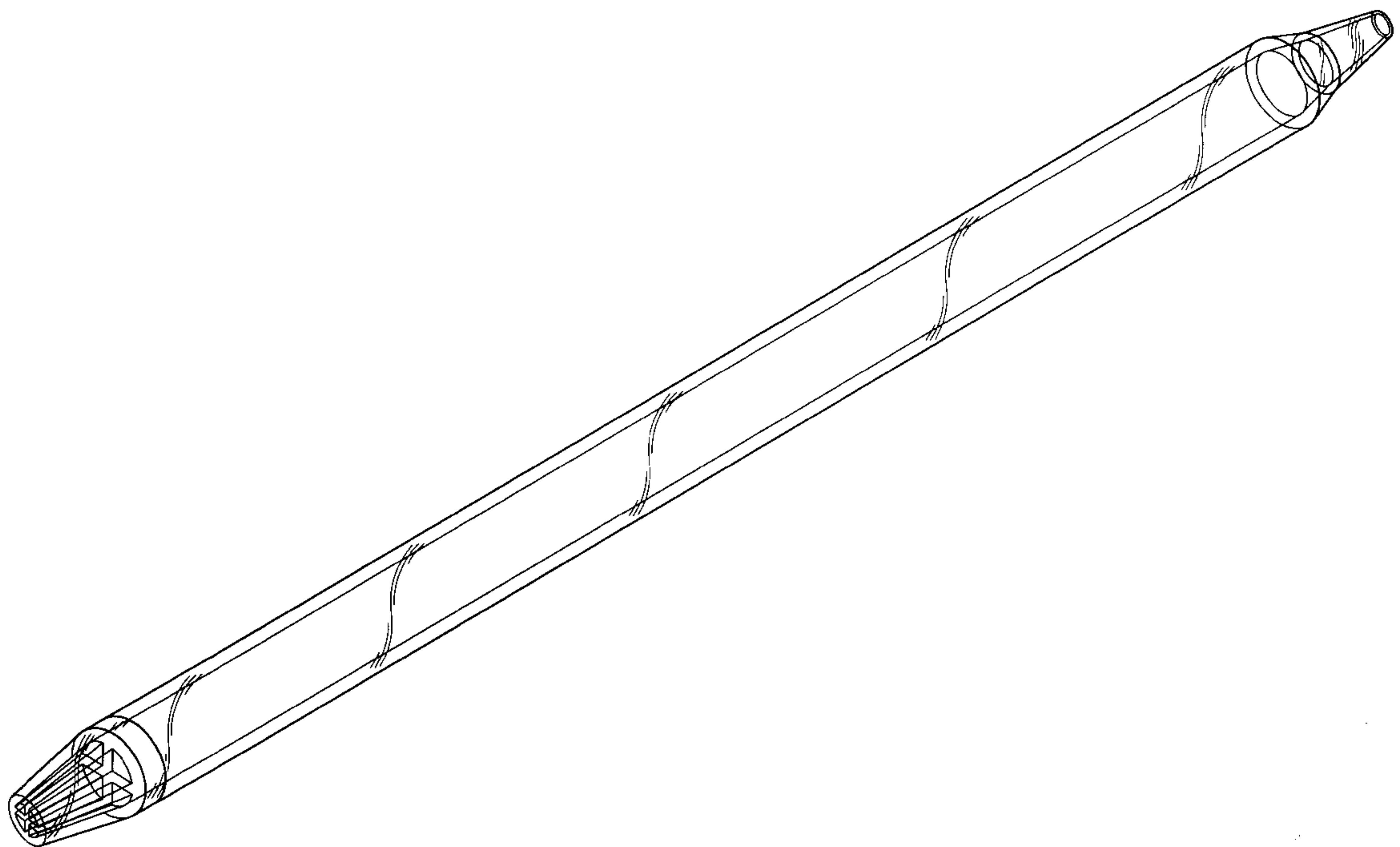
The ornamental design for a pipet, as shown and described.

DESCRIPTION

- FIG. 1 is a front perspective view of the pipet;
- FIG. 2 is a rear perspective view thereof;
- FIG. 3 is an enlarged fragmentary perspective view thereof, of the lower nozzle portion;
- FIG. 4 is a right side elevational view thereof;
- FIG. 5 is a bottom view thereof; and,
- FIG. 6 is a top plan view thereof.

- (56) **References Cited**
- U.S. PATENT DOCUMENTS
- D. 357,324 * 4/1995 Bartal D24/222

1 Claim, 4 Drawing Sheets



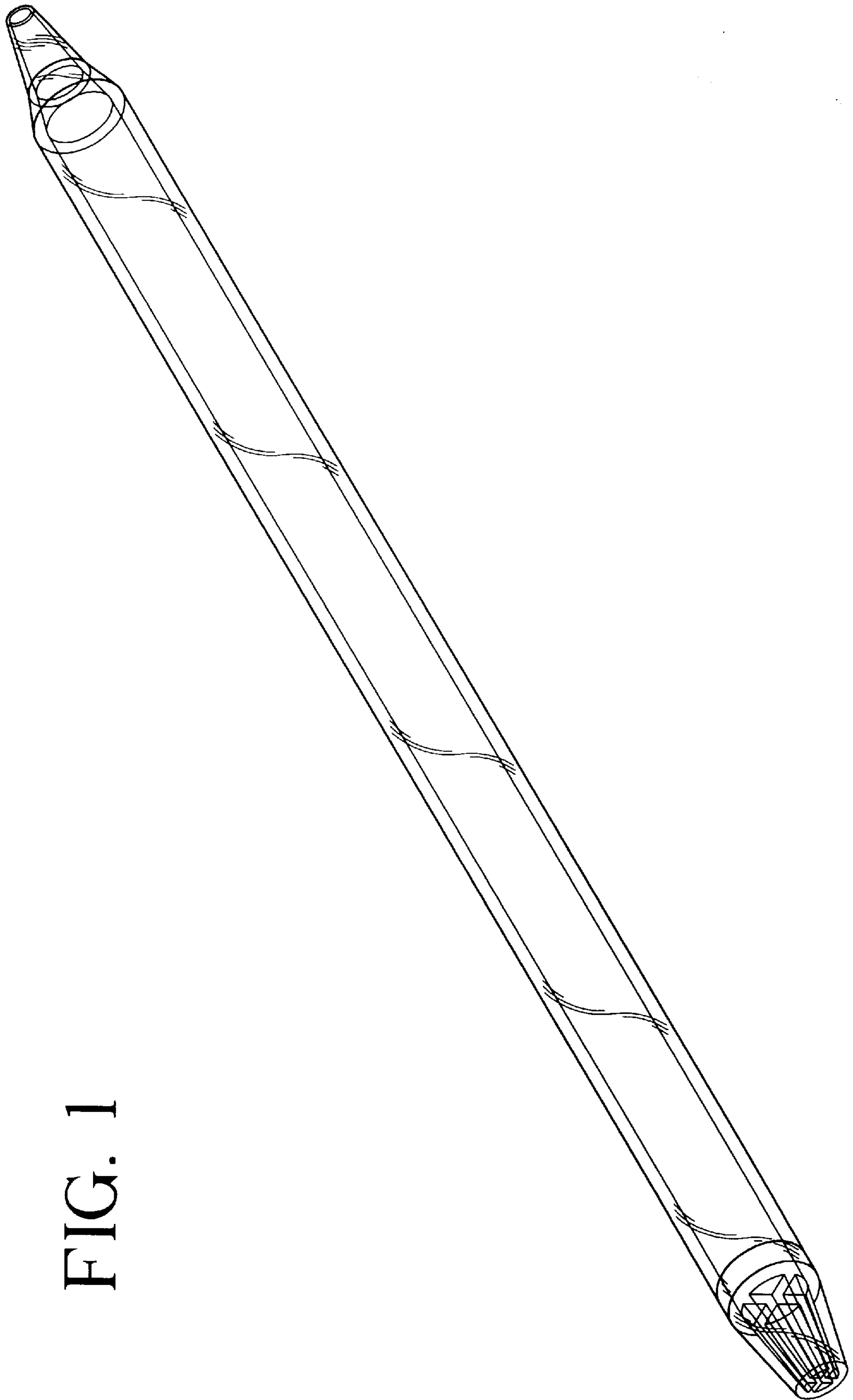
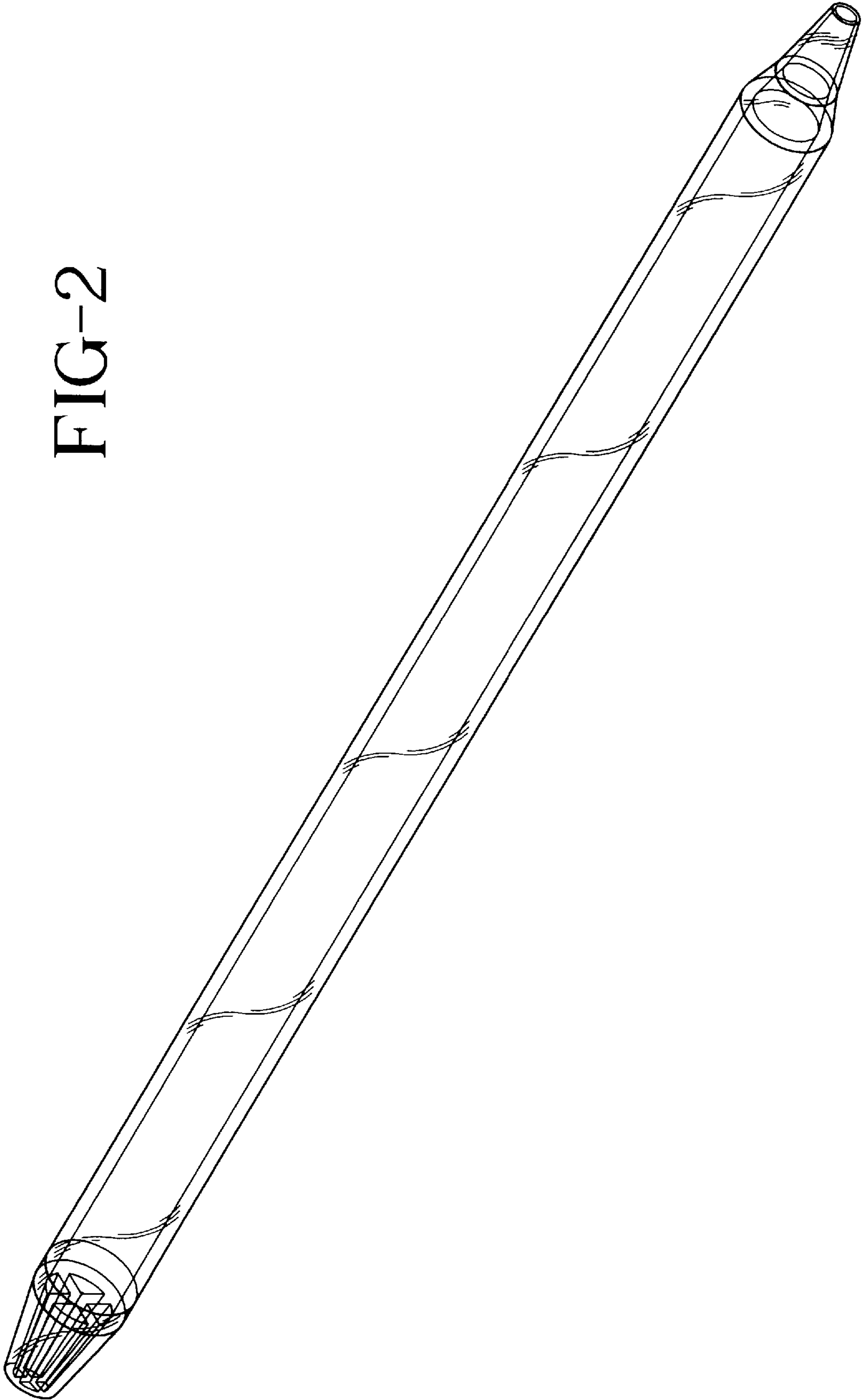


FIG. 1

FIG-2



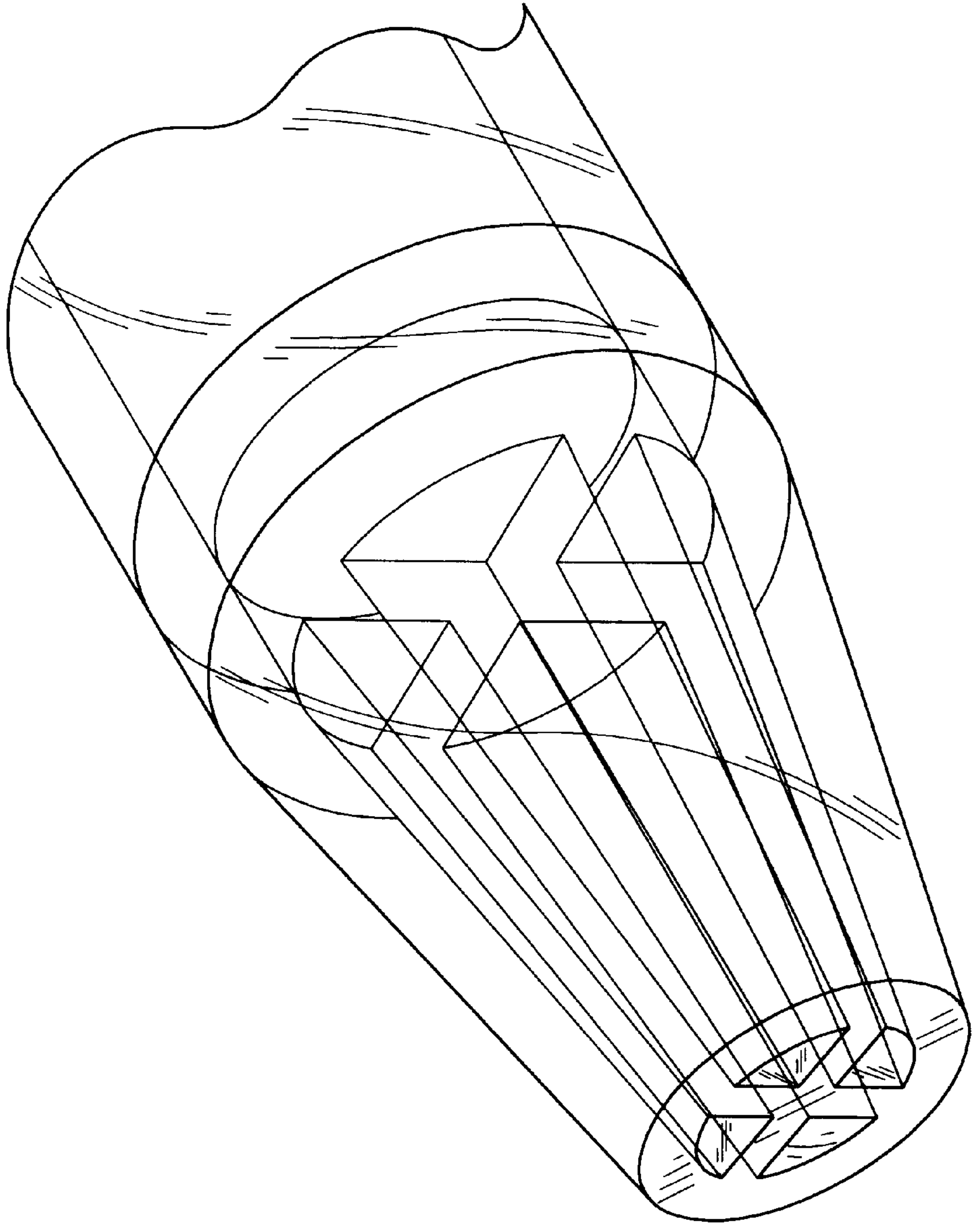


FIG-3

FIG-4

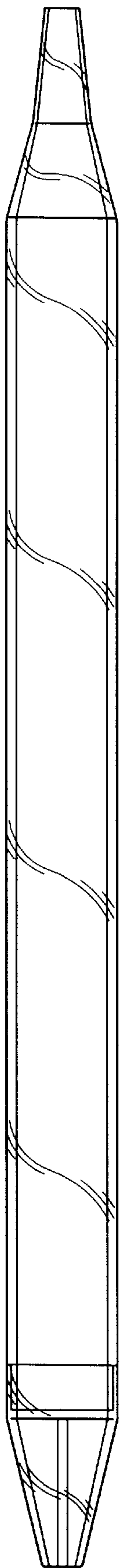


FIG-5

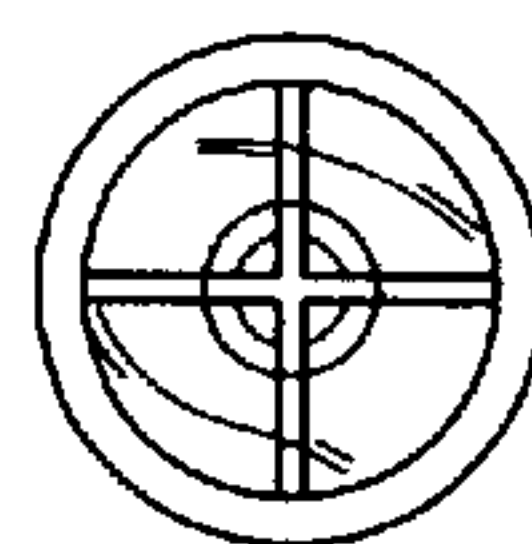


FIG-6

