



US00D438628S

(12) **United States Design Patent**
Yen et al.

(10) **Patent No.: US D438,628 S**

(45) **Date of Patent: ** Mar. 6, 2001**

(54) **COOLING SEAT AND SUN TANNER MATTRESS**

(75) Inventors: **Tsung-Ping Yen; Rong-Jyh Song**, both of Taipei (TW)

(73) Assignee: **Aqua-Marine International Inc.** (TW)

(**) Term: **14 Years**

(21) Appl. No.: **29/126,368**

(22) Filed: **Jul. 13, 2000**

(51) **LOC (7) Cl.** **24-04**

(52) **U.S. Cl.** **D24/206**

(58) **Field of Search** D24/206, 207, D24/209; 4/524, 528, 529, 538; 607/80, 95; 5/421; 441/80, 81, 88, 90, 91; D21/803, 808, 809; D6/595, 596, 601

(56) **References Cited**

U.S. PATENT DOCUMENTS

- D. 233,262 * 10/1974 Tersch et al. D24/205
- D. 266,788 * 11/1982 DuBois et al. D24/205
- D. 311,838 * 11/1990 Dillon D6/596

- D. 313,847 * 1/1991 Higgins D24/209
- D. 319,313 * 8/1991 Battles et al. D24/209
- 3,688,775 * 9/1972 Raymann 607/80
- 4,964,183 * 10/1990 LaForce, Jr. 5/421
- 5,358,438 * 10/1994 Wolfe 441/41

* cited by examiner

Primary Examiner—Stella Reid

(74) *Attorney, Agent, or Firm*—Ostrolenk, Faber, Gerb & Soffen, LLP

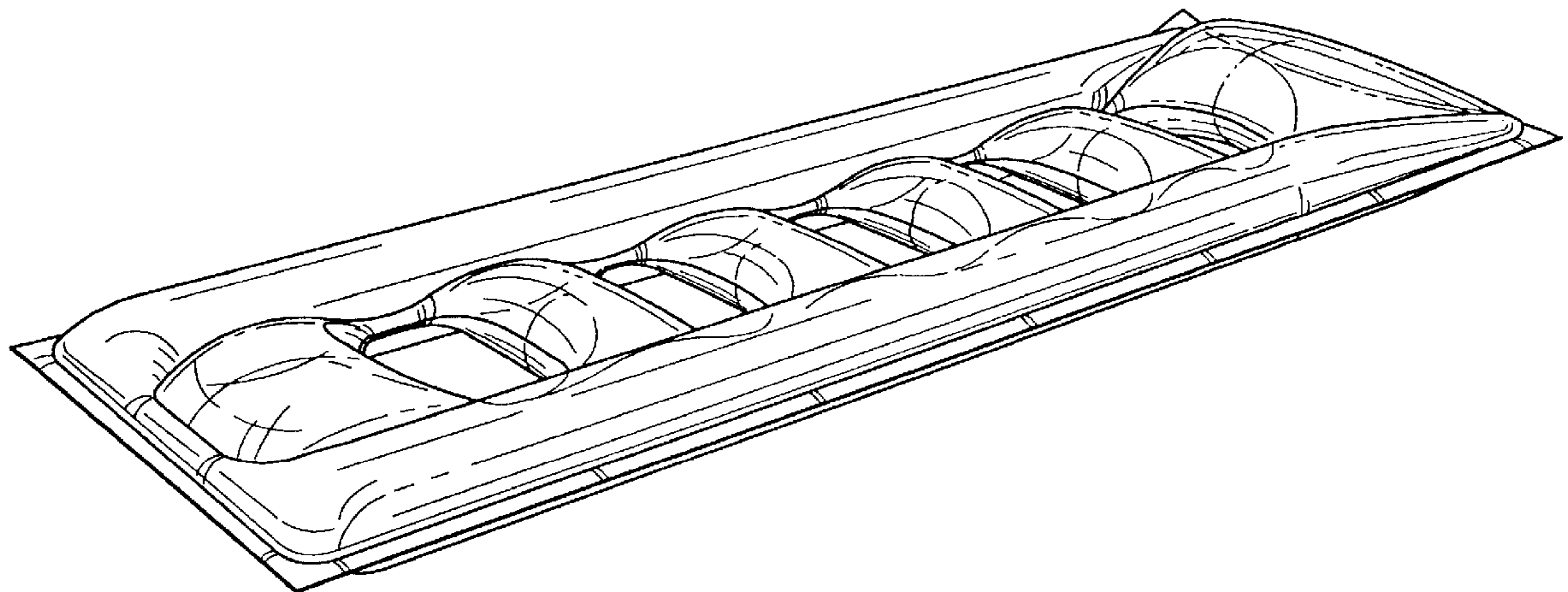
(57) **CLAIM**

The ornamental design for cooling seat and sun tanner mattress, as shown and described.

DESCRIPTION

FIG. 1 is a perspective view of cooling seat and sun tanner mattress showing our new design;
 FIG. 2 is a front elevational view thereof;
 FIG. 3 is a rear elevational view thereof;
 FIG. 4 is a left side elevational view thereof;
 FIG. 5 is a right side elevational view thereof;
 FIG. 6 is a top plan view thereof; and,
 FIG. 7 is a bottom plan view thereof.

1 Claim, 3 Drawing Sheets



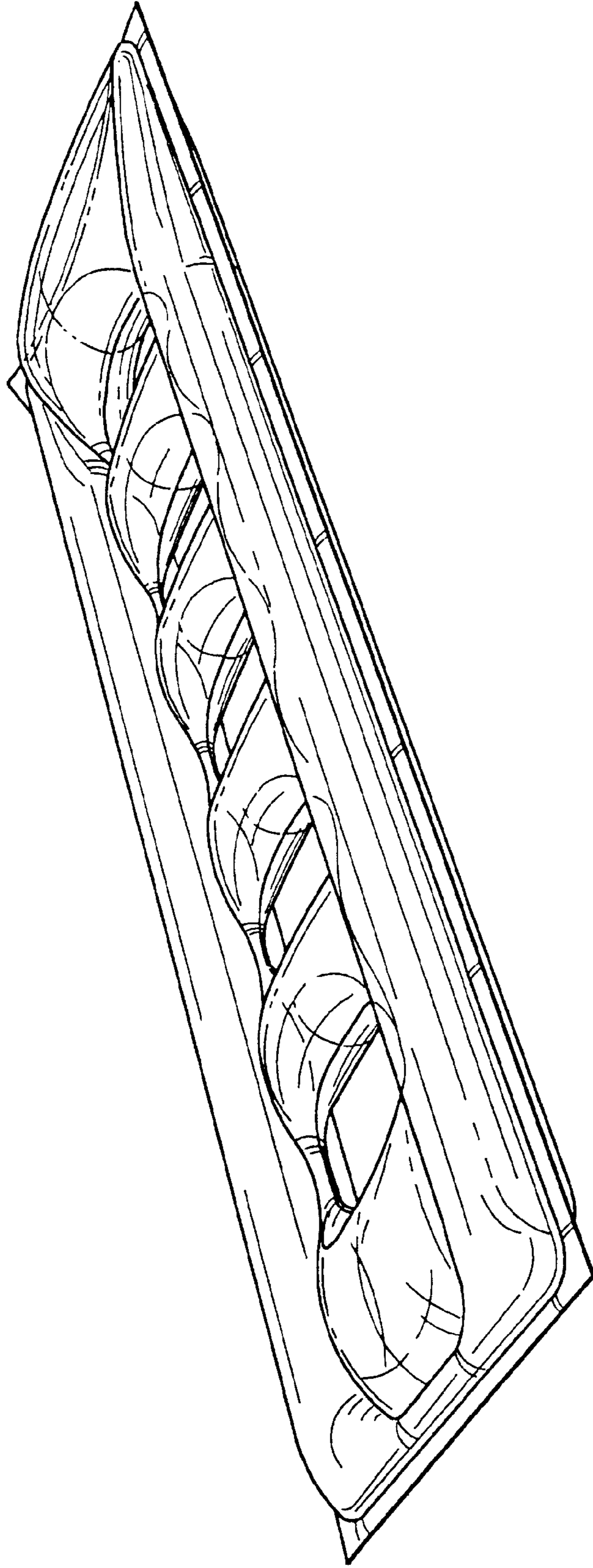


FIG. 1

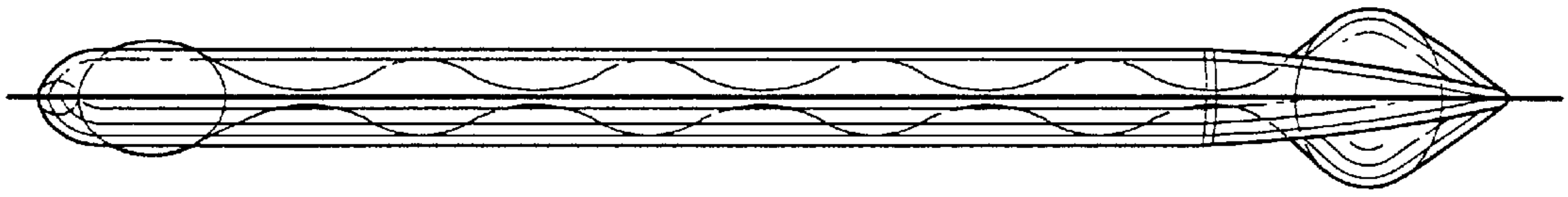


FIG. 2

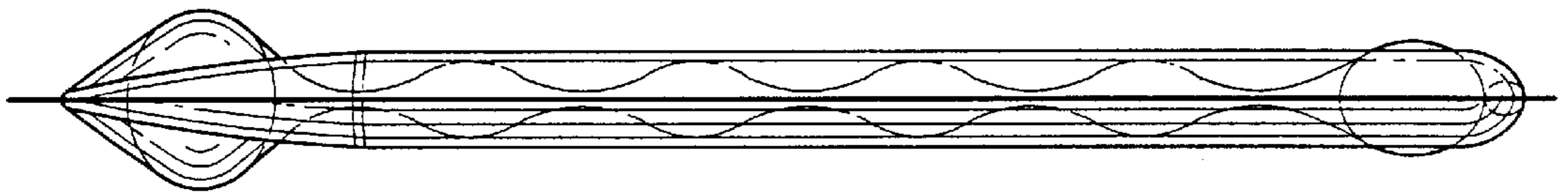


FIG. 3

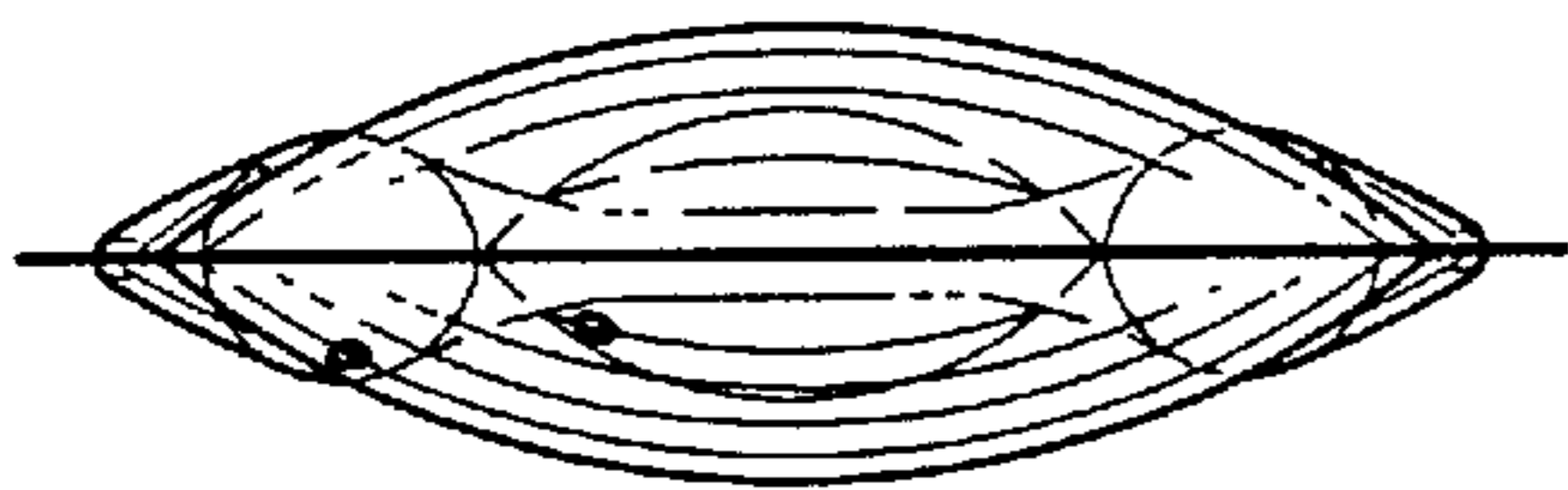


FIG. 4

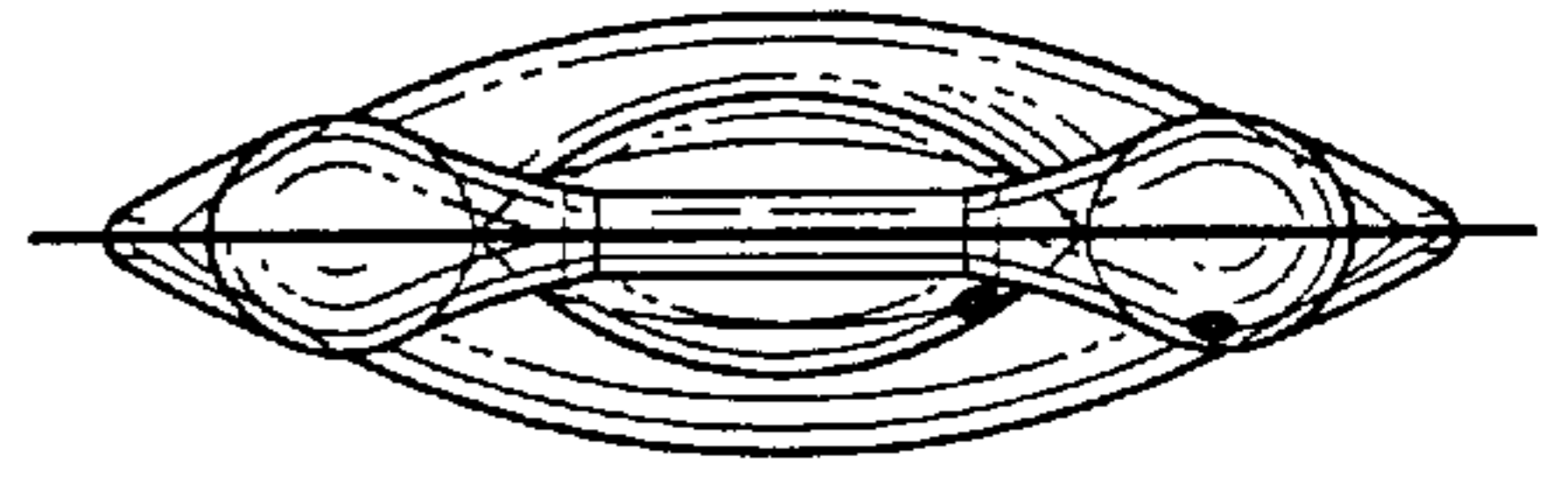


FIG. 5

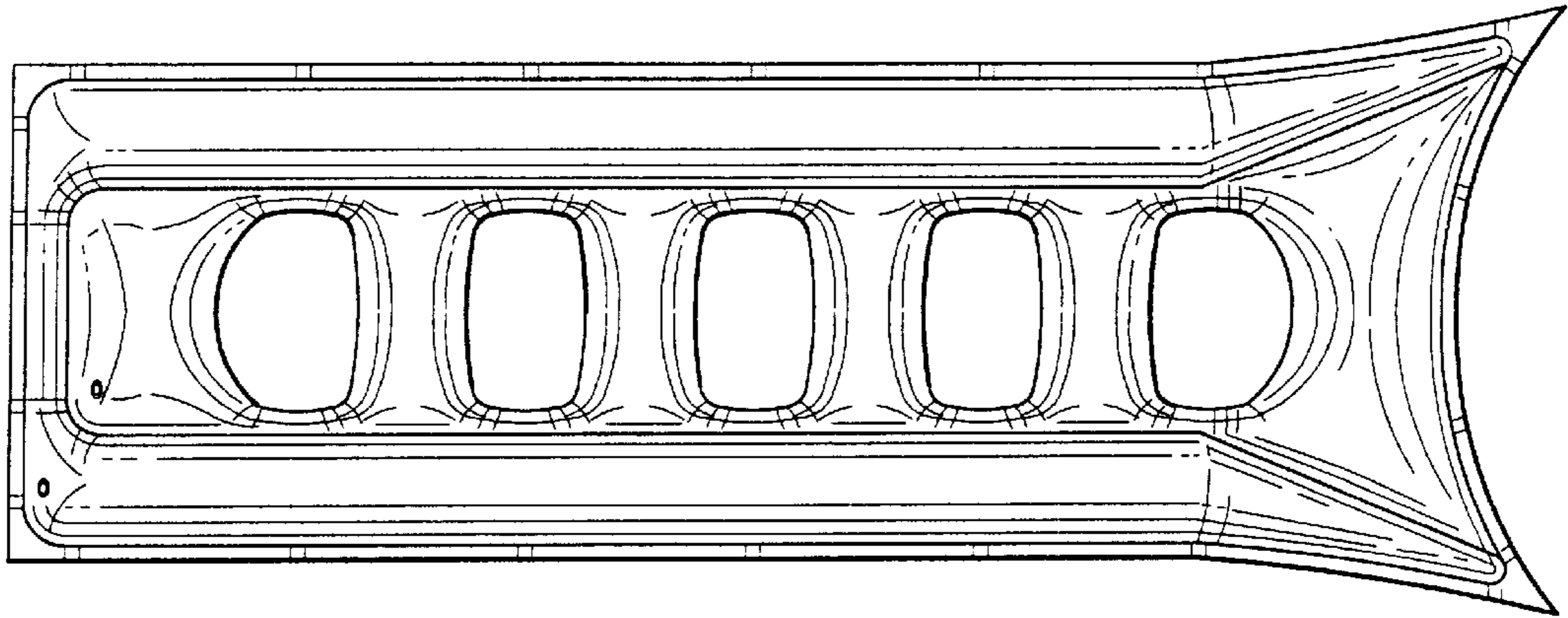


FIG. 6

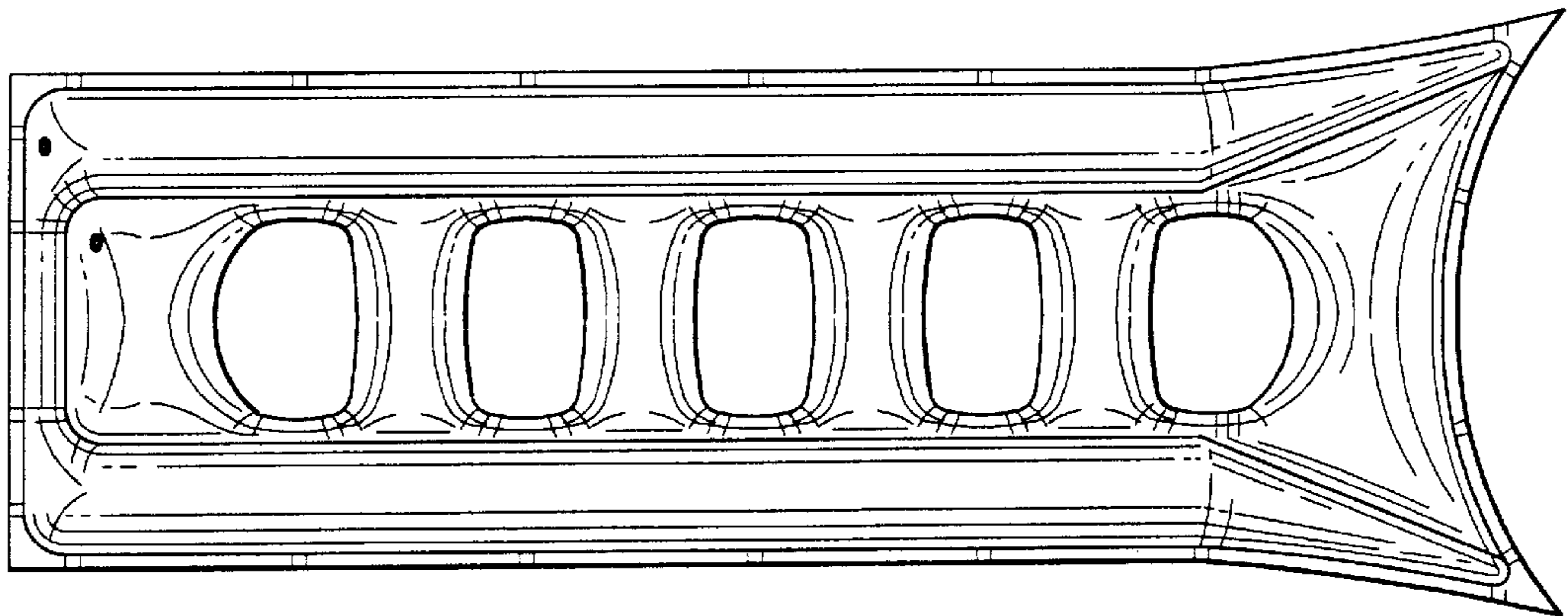


FIG. 7