



US00D438626S

(12) **United States Design Patent**  
**Broussard et al.**

(10) **Patent No.:** **US D438,626 S**

(45) **Date of Patent:** **\*\* Mar. 6, 2001**

(54) **BABY BOTTLE HOLDER**

(76) Inventors: **Barbara Broussard; Cleveland Broussard**, both of 1083 Ft. Worth Trail, Lusby, MD (US) 20657

(\*\*) Term: **14 Years**

(21) Appl. No.: **29/125,771**

(22) Filed: **Jun. 30, 2000**

(51) **LOC (7) Cl.** ..... **07-01**

(52) **U.S. Cl.** ..... **D24/199**

(58) **Field of Search** ..... D24/199; 248/102, 248/103, 104, 105, 106, 107

(56) **References Cited**

**U.S. PATENT DOCUMENTS**

D. 284,220	*	6/1986	Pote	.....	D24/199
D. 309,018	*	7/1990	Leach	.....	D24/199
D. 382,970	*	8/1997	Agopian	.....	D24/199
543,464		7/1895	Brucksch	.	
2,110,037	*	3/1938	De Rosa	.....	248/104
3,773,287	*	11/1973	Hechinger	.....	248/102
4,061,256		12/1977	Beer et al.	.	

4,723,801	*	2/1988	Musumeci et al.	.....	294/33
4,733,808		3/1988	Turner, Jr. et al.	.	
4,865,239		9/1989	Timbrook	.	
4,943,017	*	7/1990	Ennis	.....	248/102
5,042,758	*	8/1991	Roy et al.	.....	248/104

\* cited by examiner

*Primary Examiner*—Stella Reid

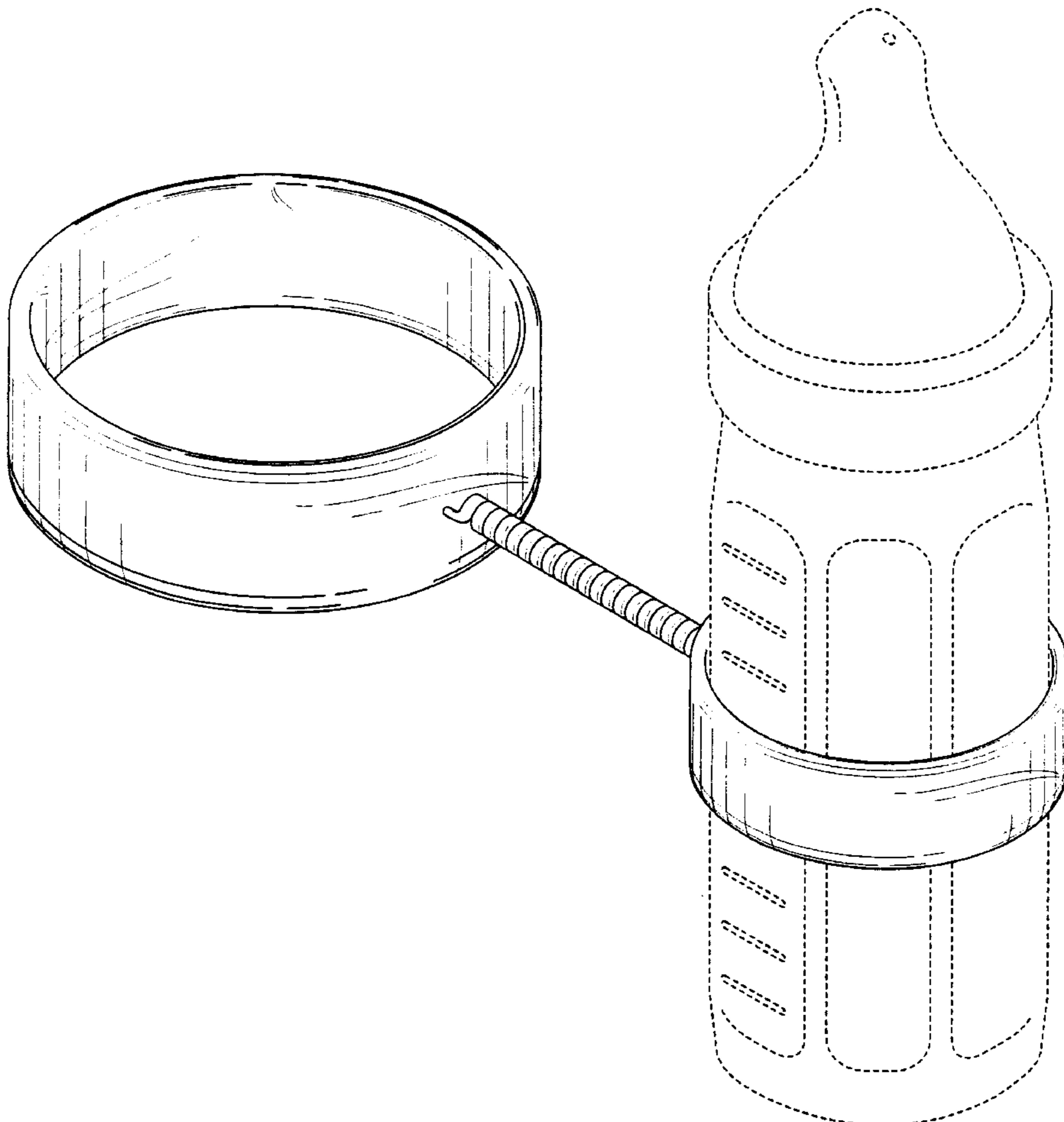
(57) **CLAIM**

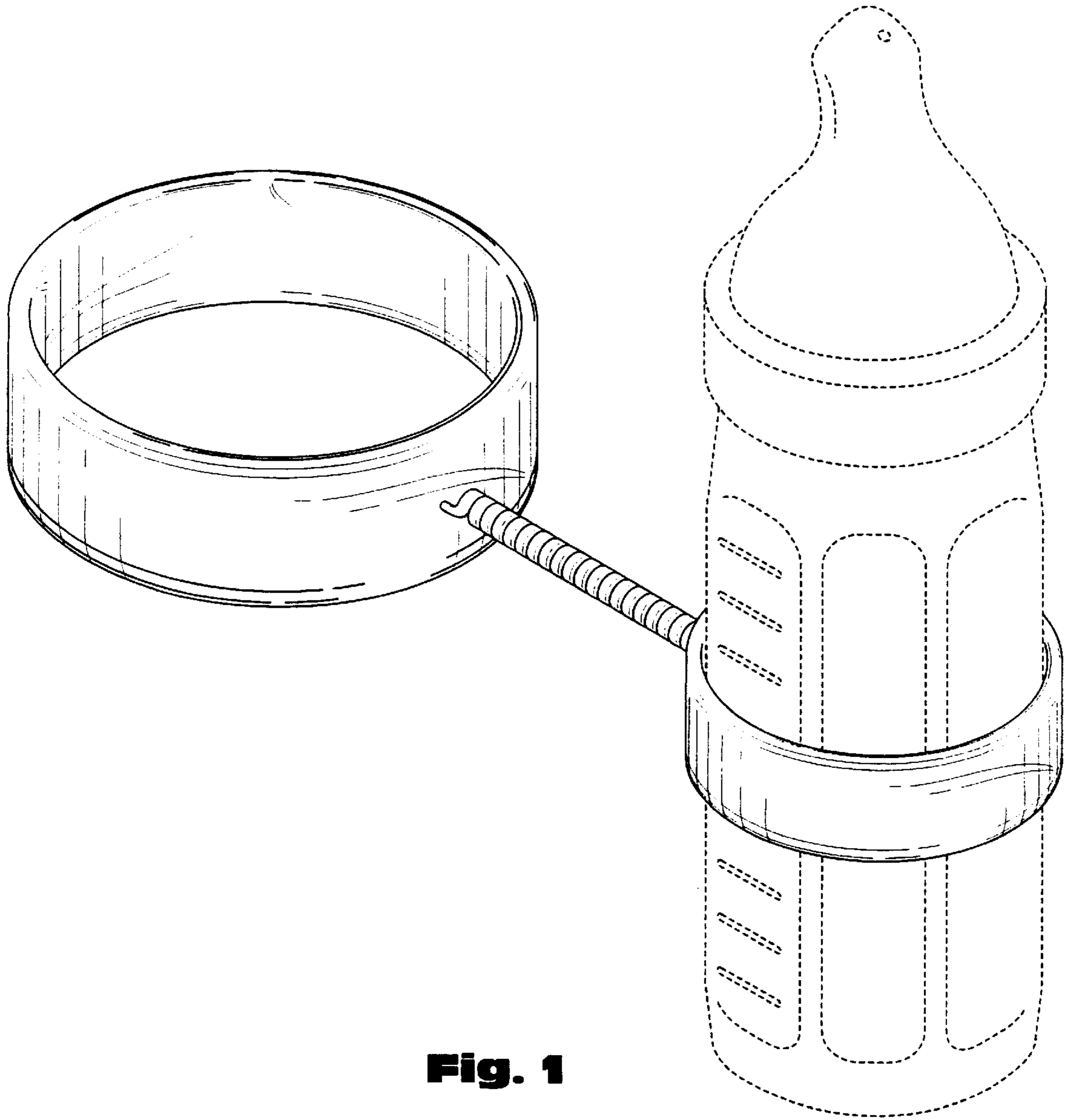
The ornamental design for the baby bottle holder, as shown and described.

**DESCRIPTION**

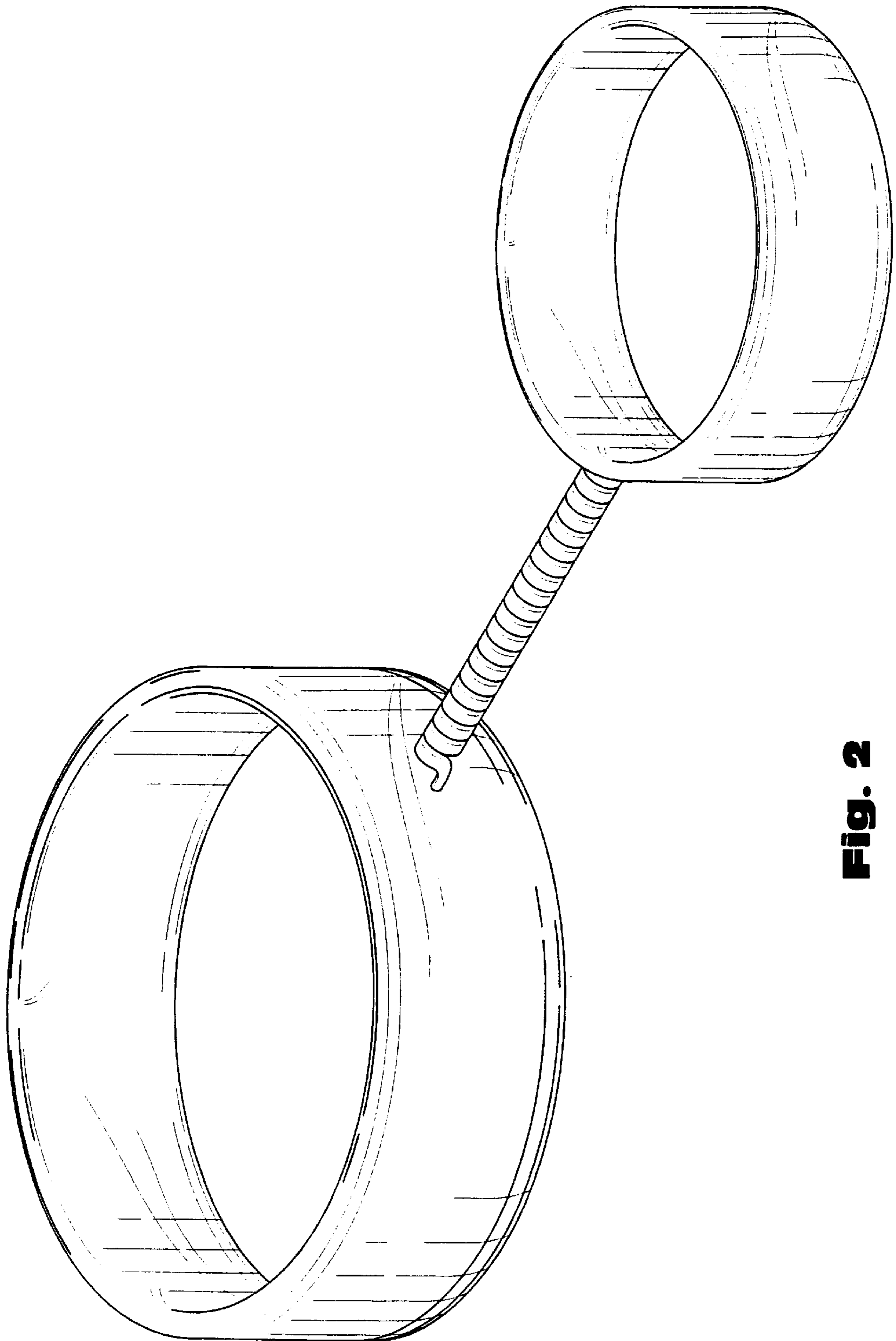
FIG. 1 is a perspective view of the baby bottle holder; FIG. 2 is a perspective view of the baby bottle holder not showing the bottle; FIG. 3 is a side view of the baby bottle holder; FIG. 4 is a rear view of the baby bottle holder; FIG. 5 is a front view of the baby bottle holder; and, FIG. 6 is a top view of the baby bottle holder. The baby bottle as shown in the dotted lines in FIG. 1 does not form part of the claimed design, but is only shown for illustrative purposes.

**1 Claim, 4 Drawing Sheets**

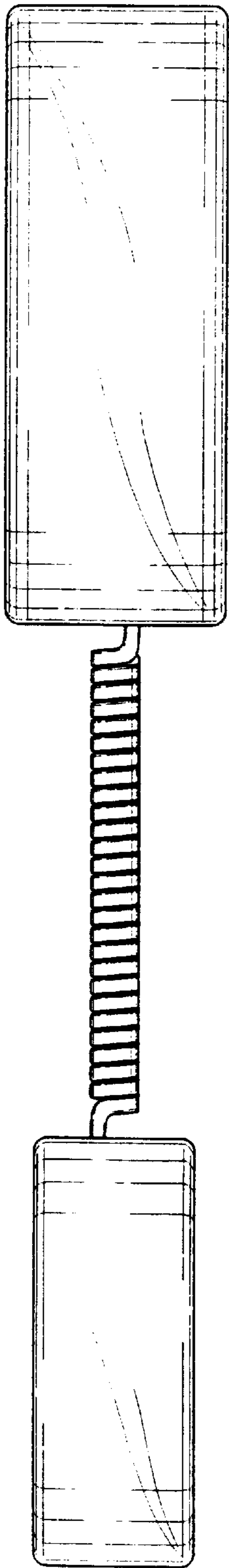




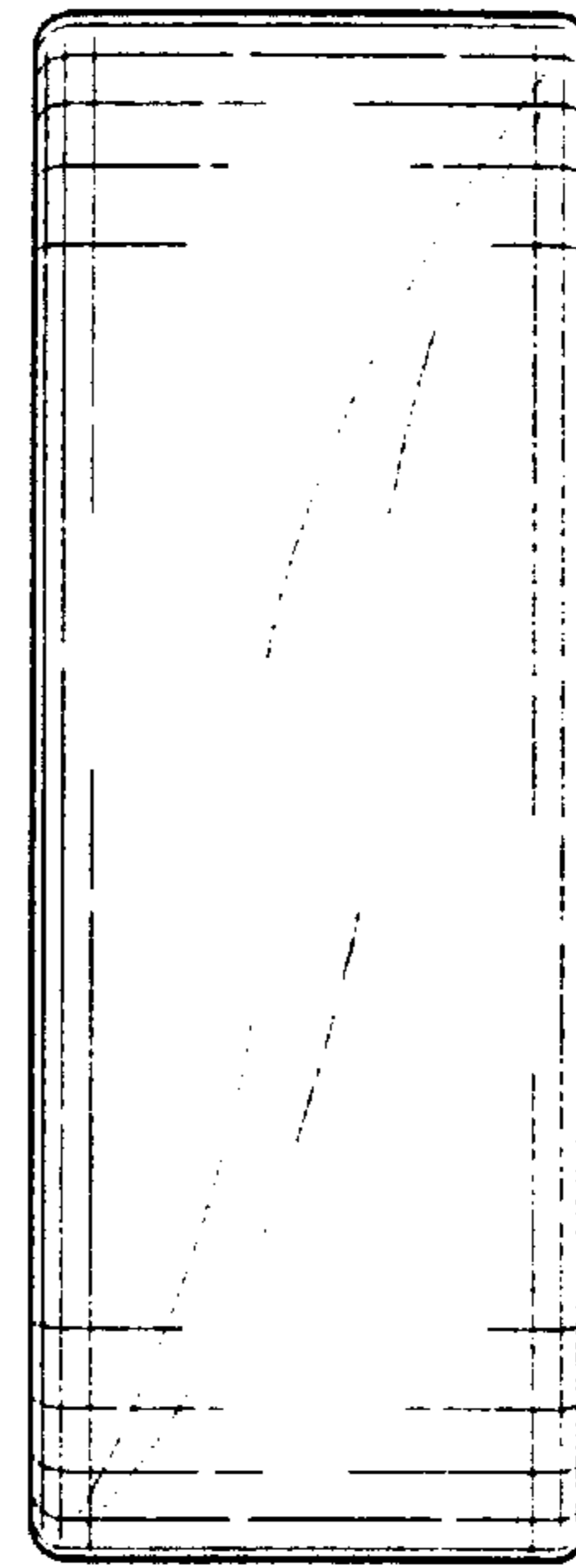
**Fig. 1**



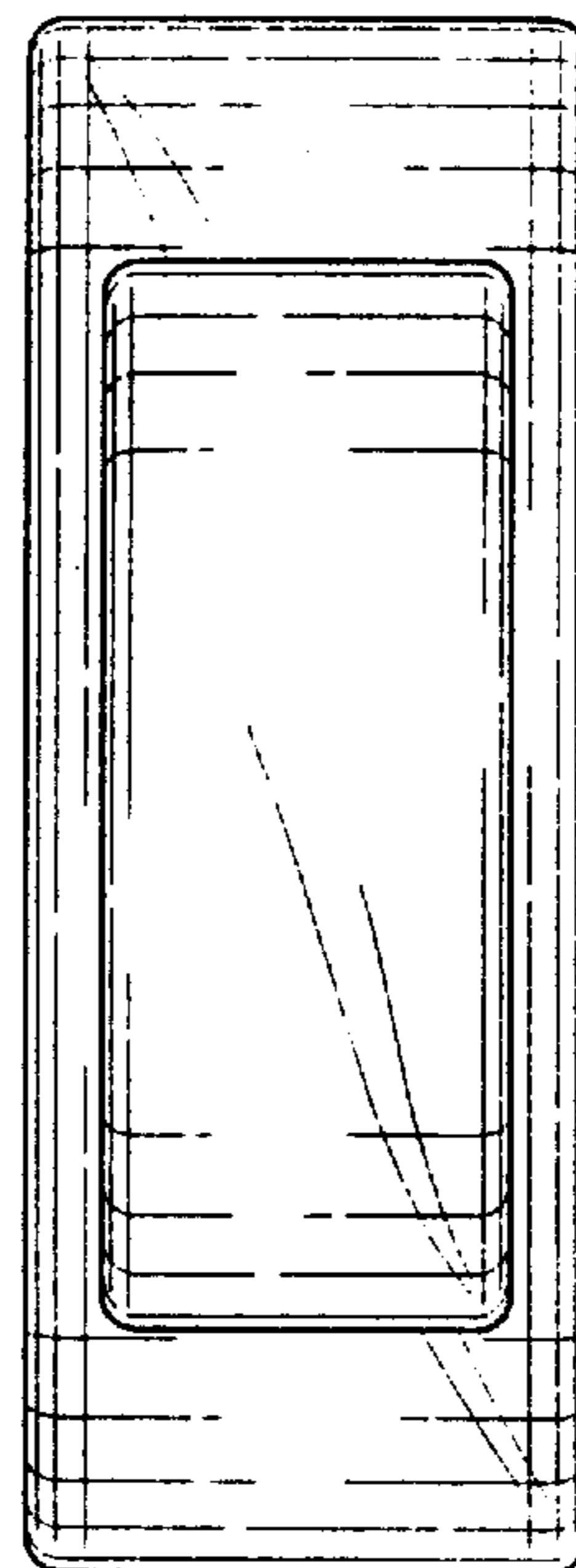
**Fig. 2**



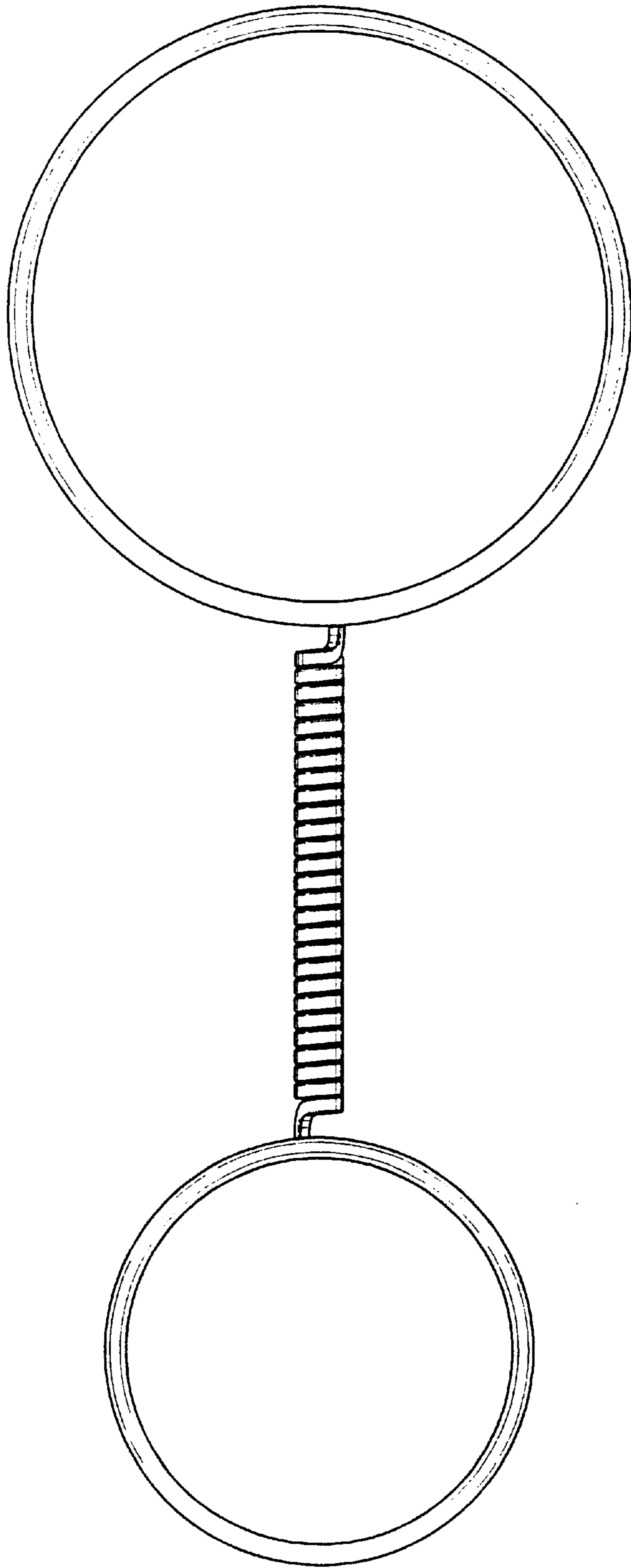
**Fig. 3**



**Fig. 5**



**Fig. 4**



**Fig. 6**