



US00D438624S

(12) **United States Design Patent**
Reina

(10) **Patent No.:** **US D438,624 S**

(45) **Date of Patent:** **** *Mar. 6, 2001**

(54) **ABDUCTION WEDGE PILLOW**

5,134,739 * 8/1992 Gaffe et al. 602/23

(75) Inventor: **Debra A. Reina**, Menomonee Falls, WI (US)

* cited by examiner

(73) Assignee: **Smith & Nephew, Inc.**, Memphis, TN (US)

Primary Examiner—Louis S. Zarfes

Assistant Examiner—Gregory Andoll

(74) *Attorney, Agent, or Firm*—Fulbright & Jaworski L.L.P.

(*) Notice: This patent is subject to a terminal disclaimer.

(57) **CLAIM**

The ornamental design for an abduction wedge pillow, as shown and described.

(**) Term: **14 Years**

DESCRIPTION

(21) Appl. No.: **29/081,101**

FIG. 1 is a perspective view of the abduction wedge pillow; FIG. 2 is bottom plan view of the abduction wedge pillow; FIG. 3 is front plan view of the abduction wedge pillow; FIG. 4 is a top plan view of the abduction wedge pillow; FIG. 5 is a back view of the abduction wedge pillow; FIG. 6 is a side plan view of the abduction wedge pillow; and, FIG. 7 is a schematic perspective view of the abduction wedge pillow in use.

(22) Filed: **Dec. 26, 1997**

(51) **LOC (7) Cl.** **24-04**

(52) **U.S. Cl.** **D24/190**

(58) **Field of Search** D24/183, 190-192; D6/601; 602/5, 6, 24, 23, 26, 27; 5/624, 648, 649, 650; 128/882

The broken away showing of the straps in FIG. 1 indicates that they are of indeterminate lengths.

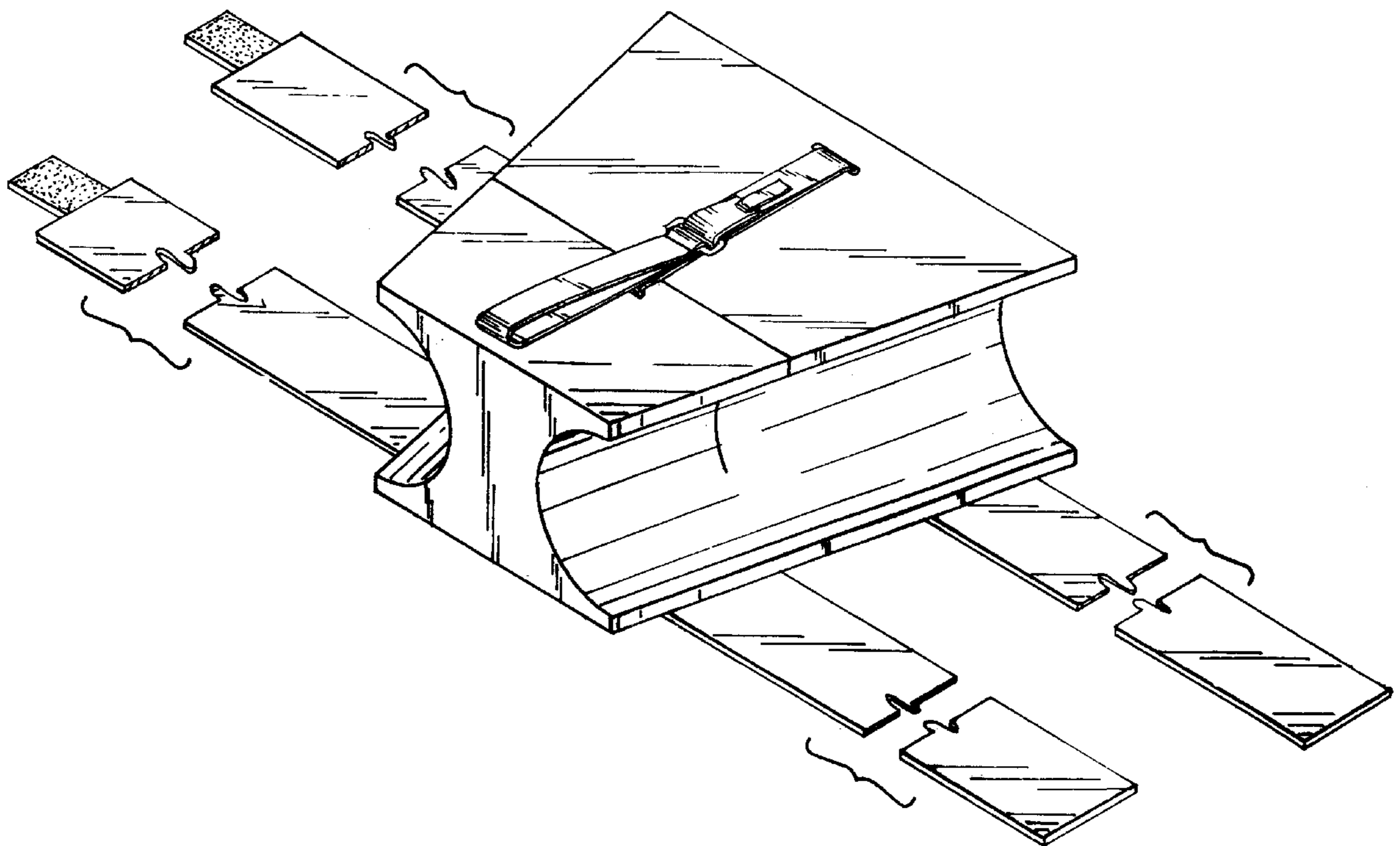
The broken line showing of the lower body in FIG. 7 is for illustrative purposes only and forms no part of the claim design.

(56) **References Cited**

U.S. PATENT DOCUMENTS

D. 348,175	*	6/1994	Kilbey	D6/601
4,135,504	*	1/1979	Spann	602/24
4,392,489	*	7/1983	Wagner, Sr.	602/24
4,805,605	*	2/1989	Glassman	602/24

1 Claim, 4 Drawing Sheets



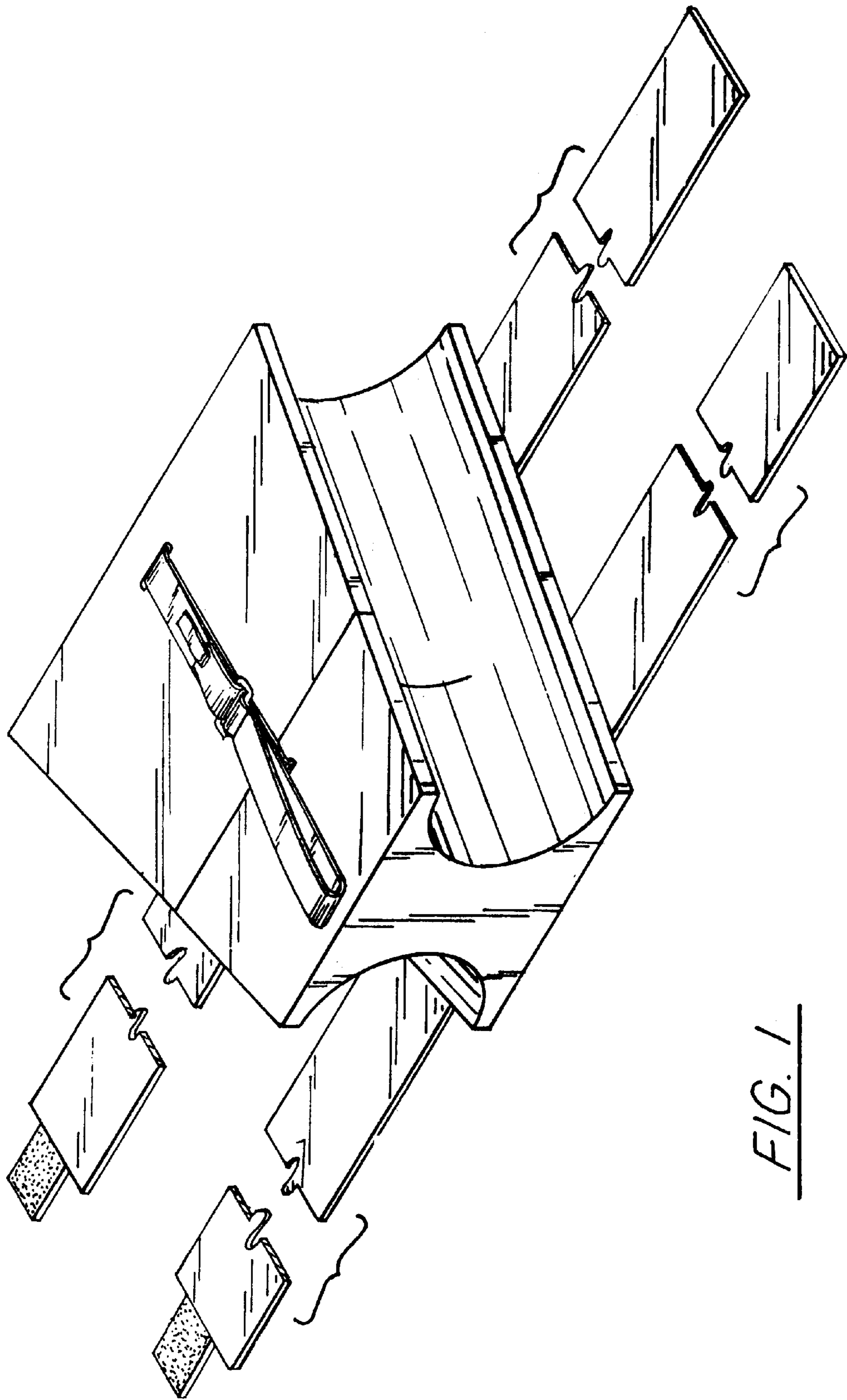


FIG. 1

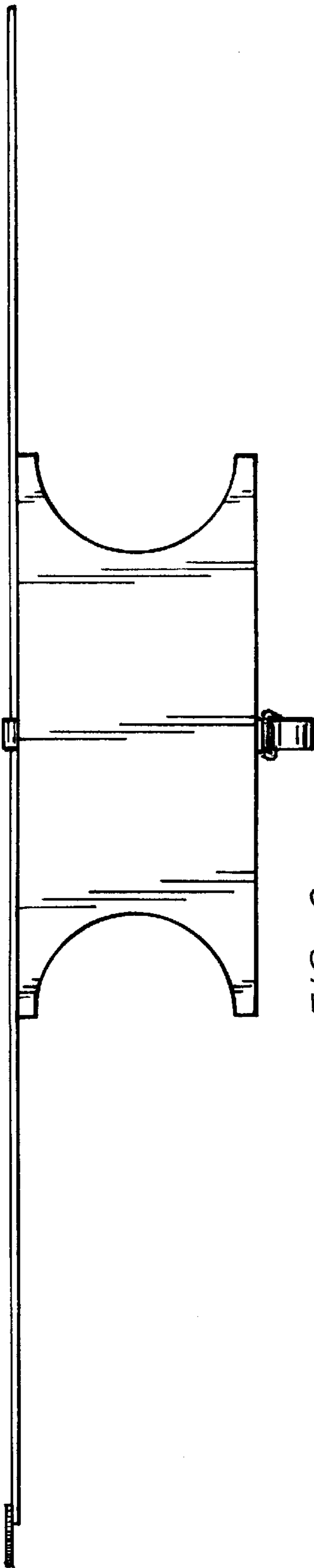


FIG. 2

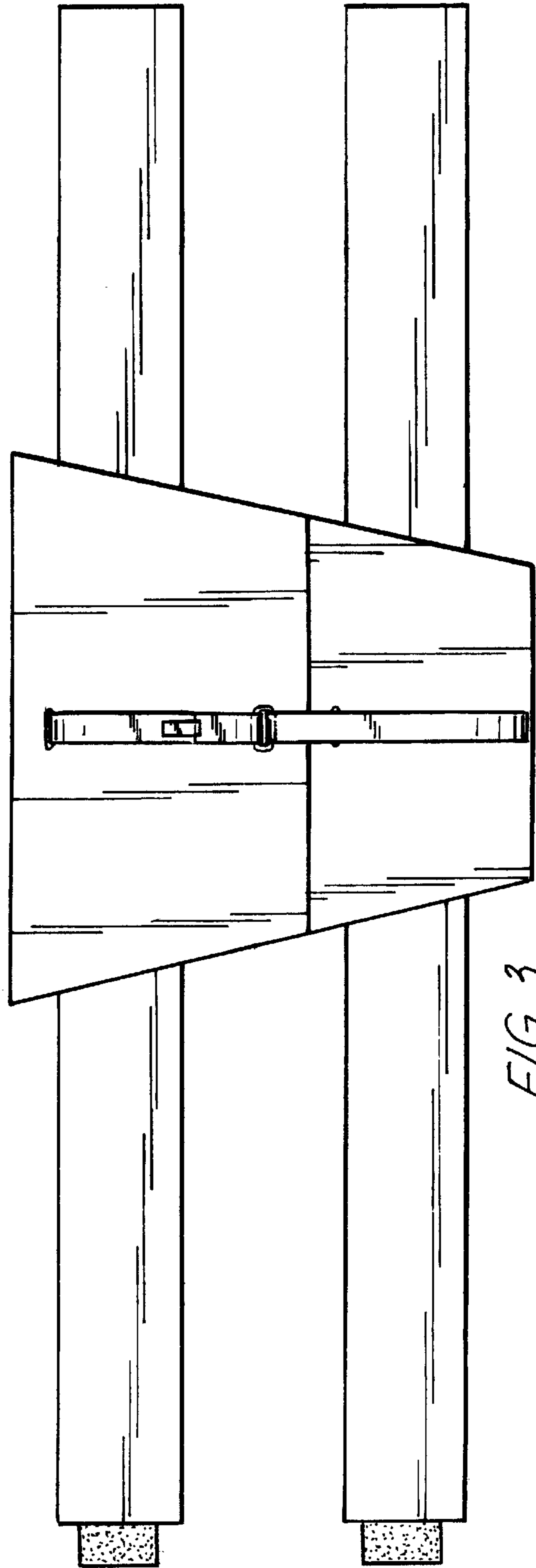


FIG. 3

FIG. 4

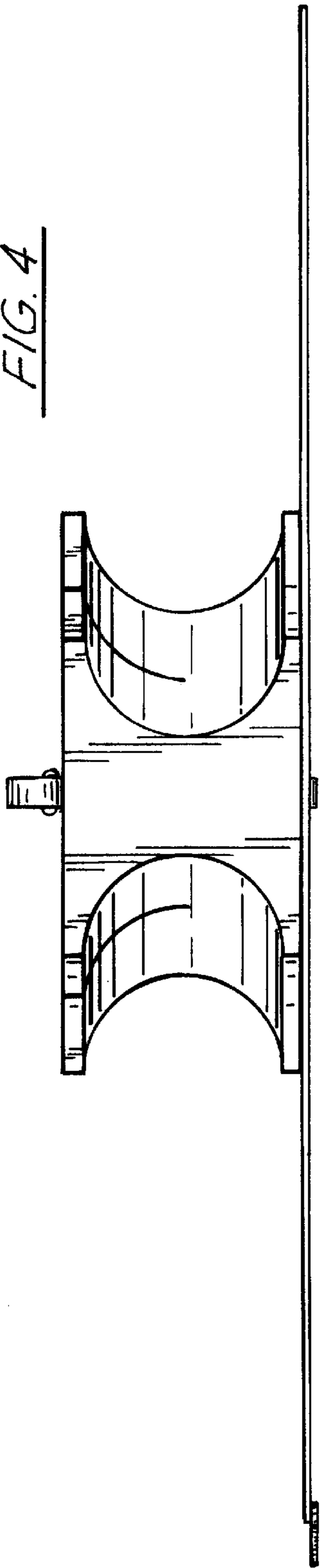
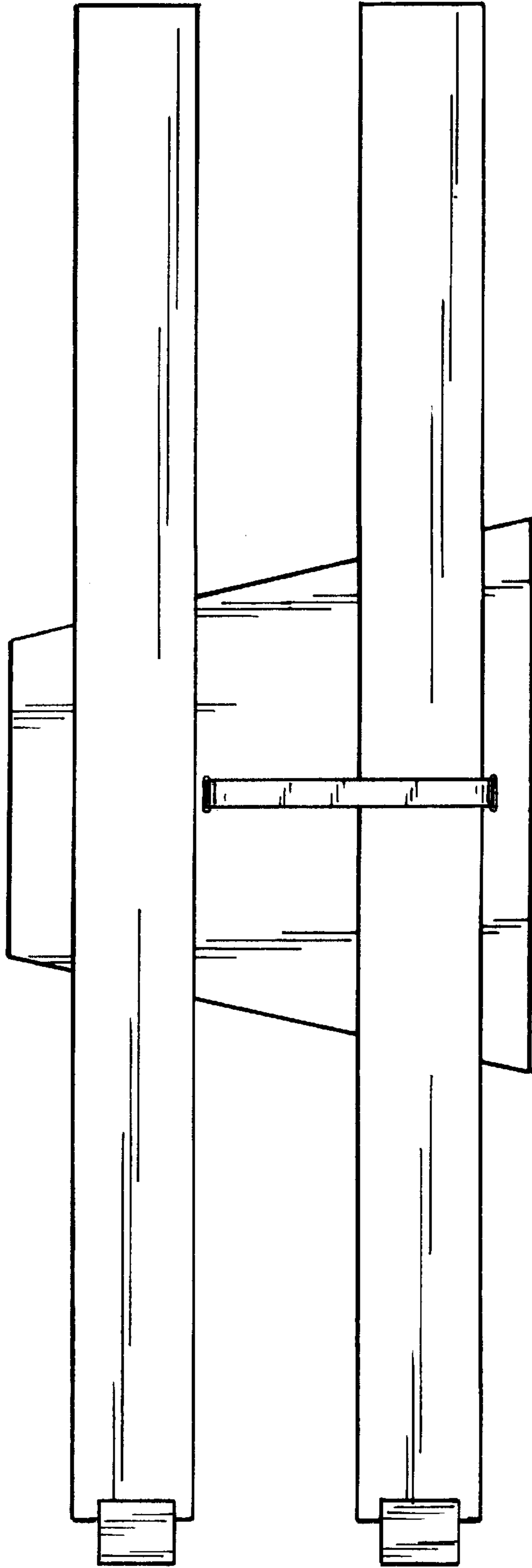


FIG. 5



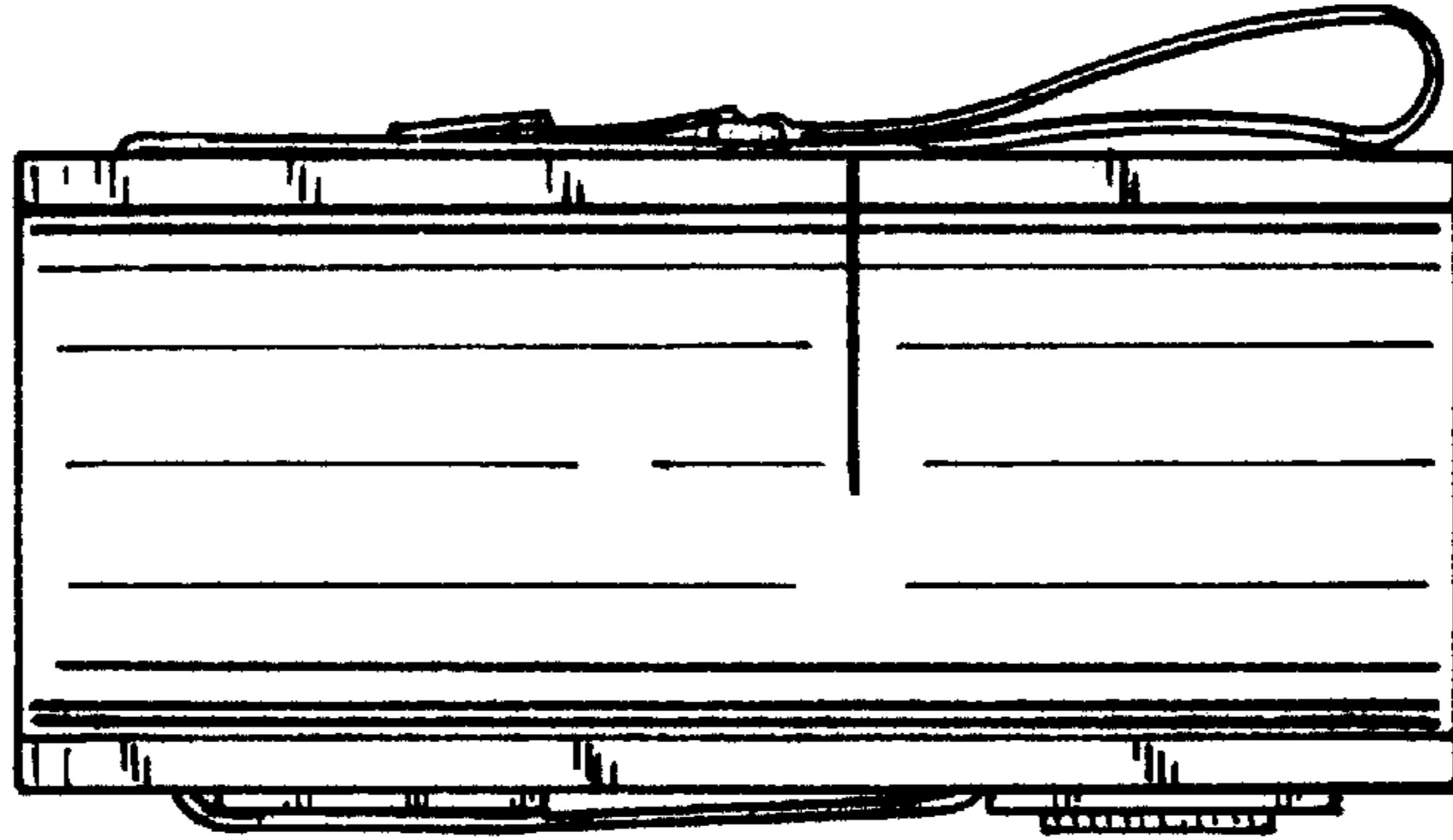


FIG. 6

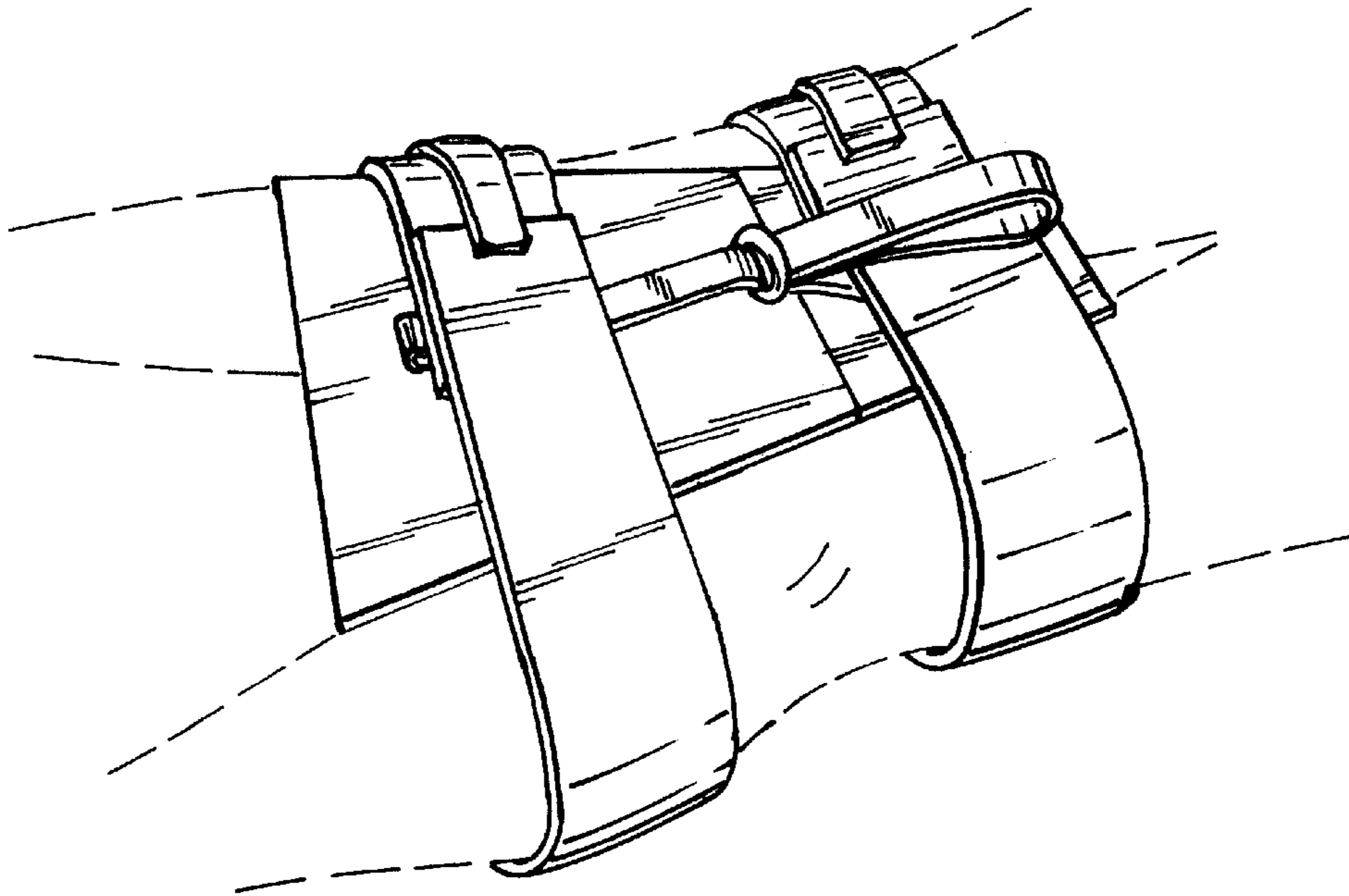


FIG. 7