



US00D438619S

(12) **United States Design Patent**
Okada et al.

(10) **Patent No.:** **US D438,619 S**

(45) **Date of Patent:** **** Mar. 6, 2001**

(54) **MAGNETIC FIELD GENERATING DEVICE FOR USE IN MRI**

6,011,393 * 1/2000 Kaufman et al. 324/318
6,094,590 * 7/2000 Kan et al. 600/411

(75) Inventors: **Shigemasu Okada**, Minoo; **Masaaki Aoki**, Takatsuki; **Shigeo Hashimoto**, Saga, all of (JP)

* cited by examiner

Primary Examiner—Stella Reid

(74) *Attorney, Agent, or Firm*—Michael D. Bednarek; Shaw Pittman

(73) Assignee: **Sumitomo Special Metals Co., Ltd.**, Osaka (JP)

(57) **CLAIM**

(**) Term: **14 Years**

The ornamental design for magnetic field generating device for use in MRI, as shown and described.

(21) Appl. No.: **29/107,120**

DESCRIPTION

(22) Filed: **Jun. 25, 1999**

(30) **Foreign Application Priority Data**

Dec. 28, 1998 (JP) 10-38773
Dec. 28, 1998 (JP) 10-38774
Dec. 28, 1998 (JP) 10-38775
Dec. 28, 1998 (JP) 10-38776
Dec. 28, 1998 (JP) 10-38777
Mar. 26, 1999 (JP) 11-7700

FIG. 1 is a perspective view of a magnetic field generating device for use in MRI, showing our new design;

FIG. 2 is a front view thereof;

FIG. 3 is a rear view thereof;

FIG. 4 is a left side view thereof, the opposite side being a mirror image of the side shown herein;

FIG. 5 is a top view thereof;

FIG. 6 is a bottom view thereof;

FIG. 7 is a perspective view of a magnetic field generating device for use in MRI, showing a second embodiment of our new design;

FIG. 8 is a front view thereof;

FIG. 9 is a rear view thereof;

FIG. 10 is a left side view thereof, the opposite side being a mirror image of the side shown herein;

FIG. 11 is a top view thereof; and,

FIG. 12 is a bottom view thereof.

(51) **LOC (7) Cl.** **24-01**

(52) **U.S. Cl.** **D24/158**

(58) **Field of Search** D24/158, 159;
600/411, 410, 409, 422; 324/318

(56) **References Cited**

U.S. PATENT DOCUMENTS

D. 386,261 * 11/1997 Lee et al. D24/159
4,829,252 * 5/1989 Kaufman 324/309
5,490,509 * 2/1996 Carlson et al. 128/653.2

1 Claim, 6 Drawing Sheets

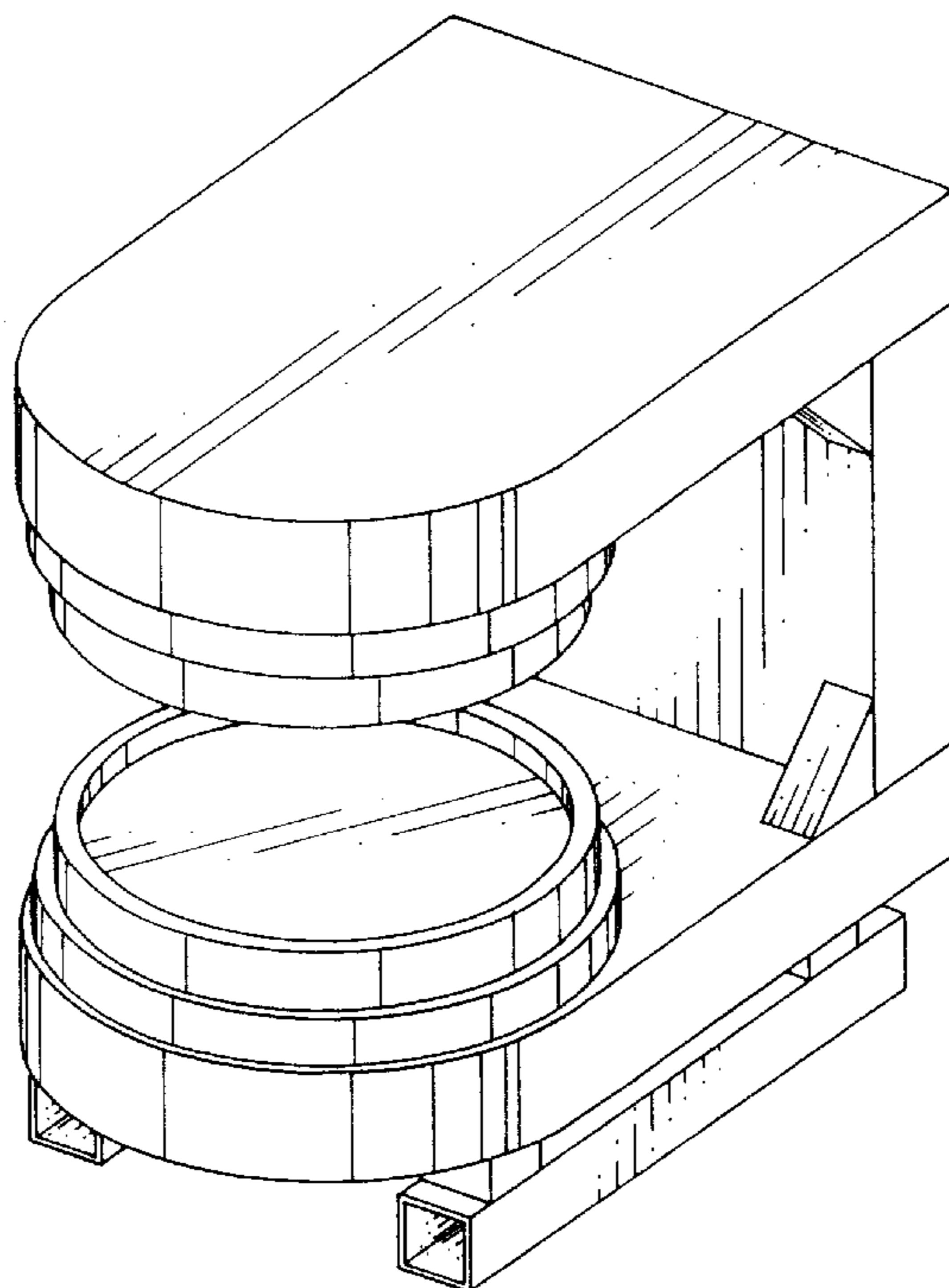


FIG. 1

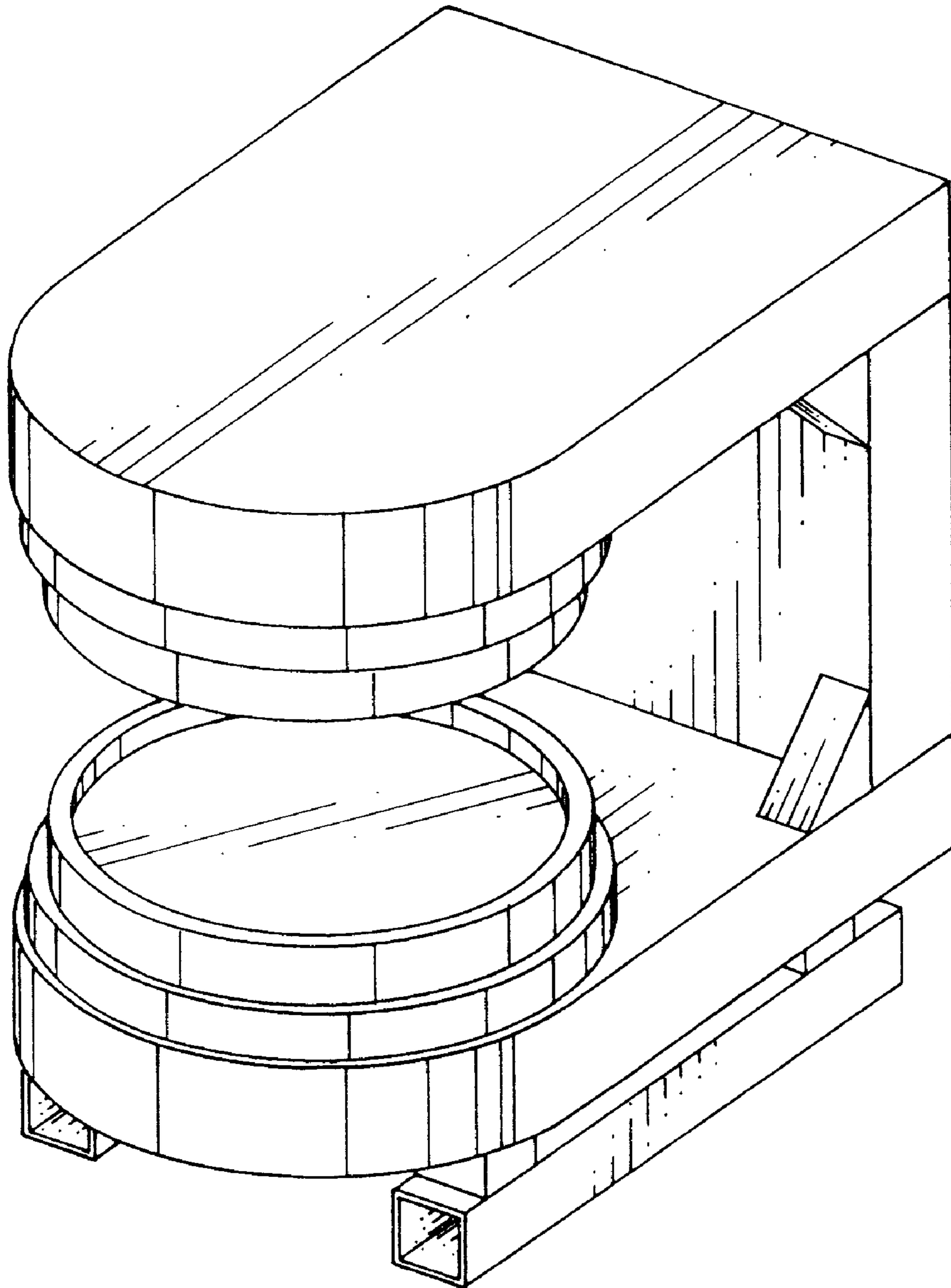


FIG. 2

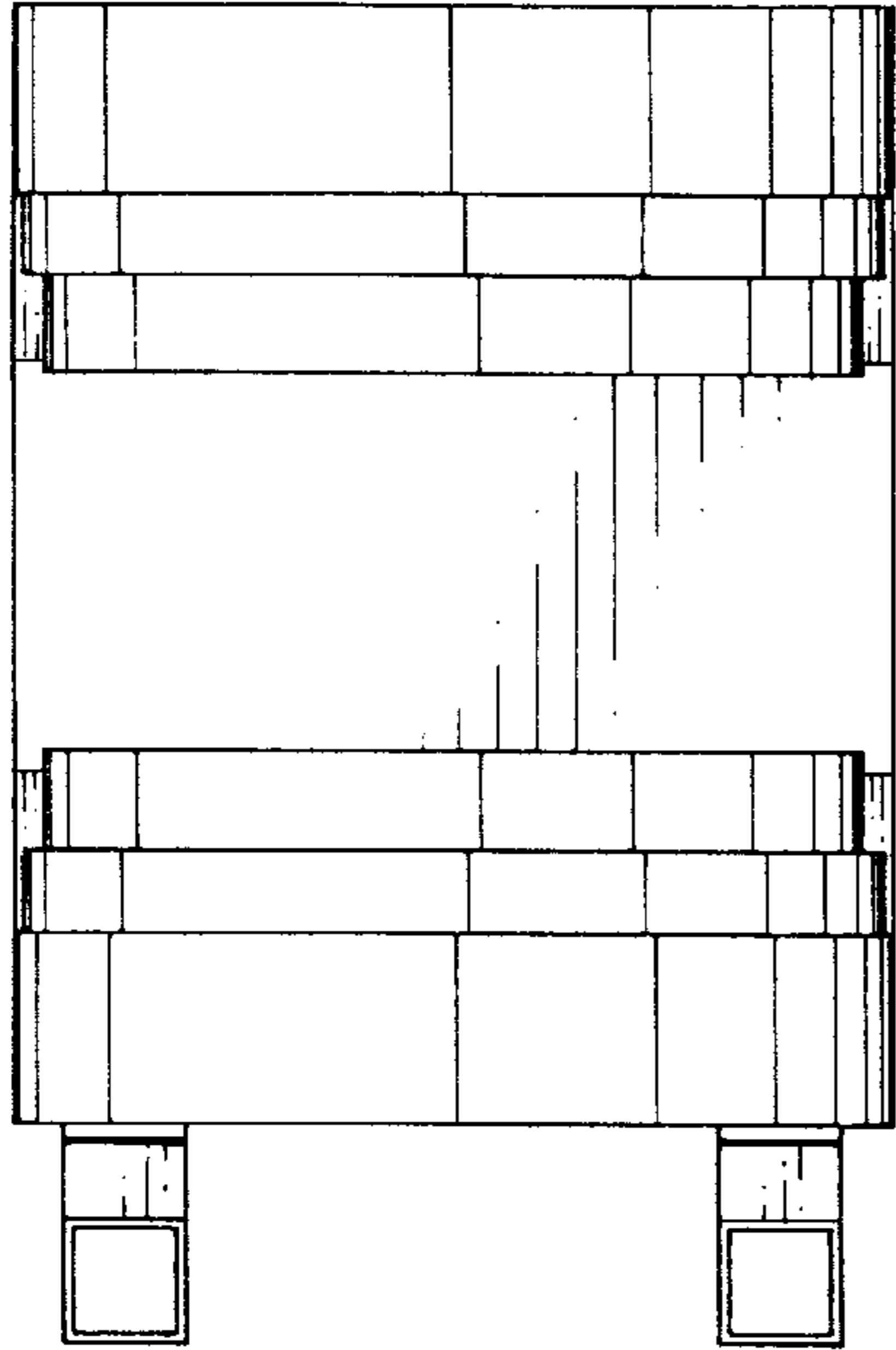


FIG. 3

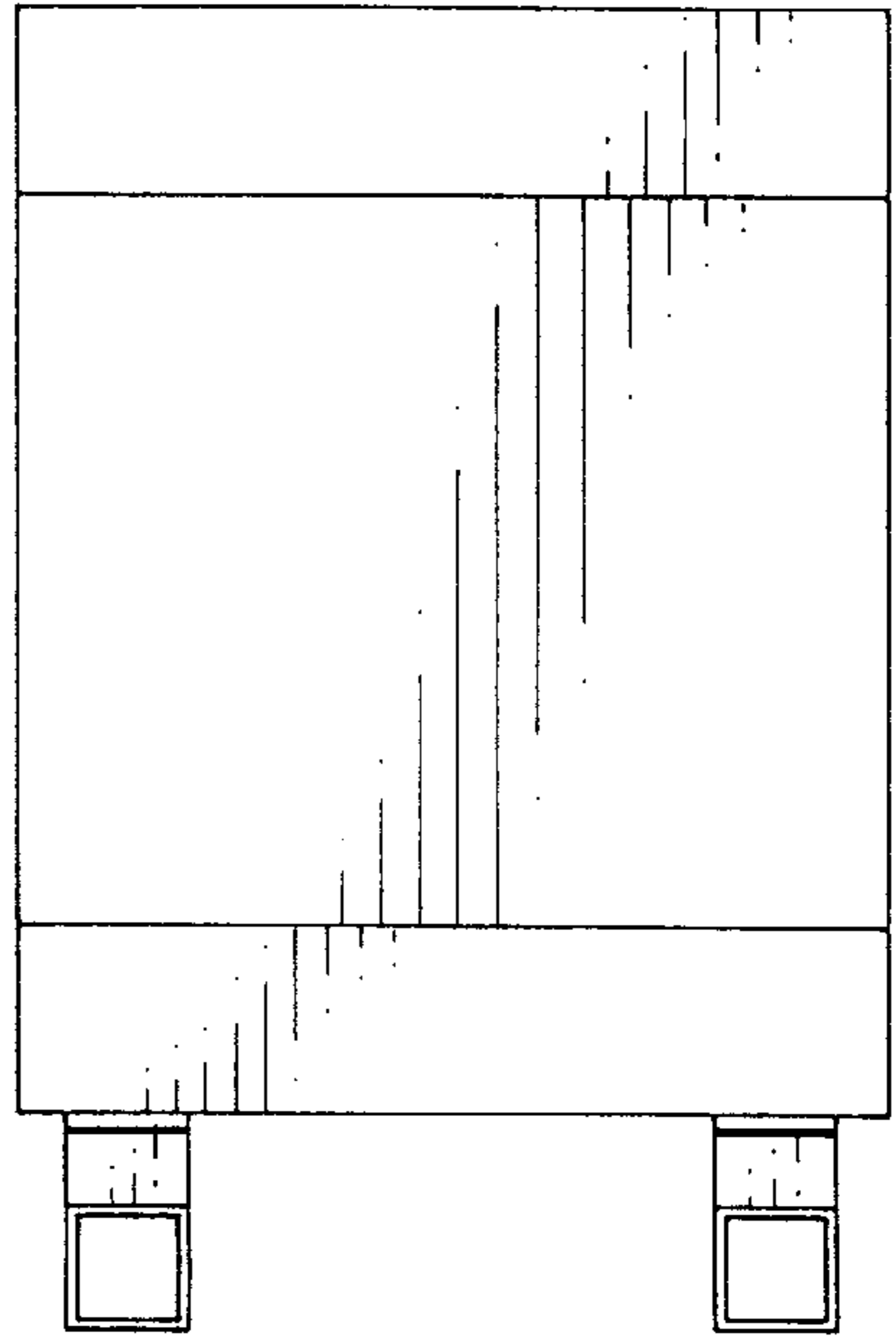


FIG. 4

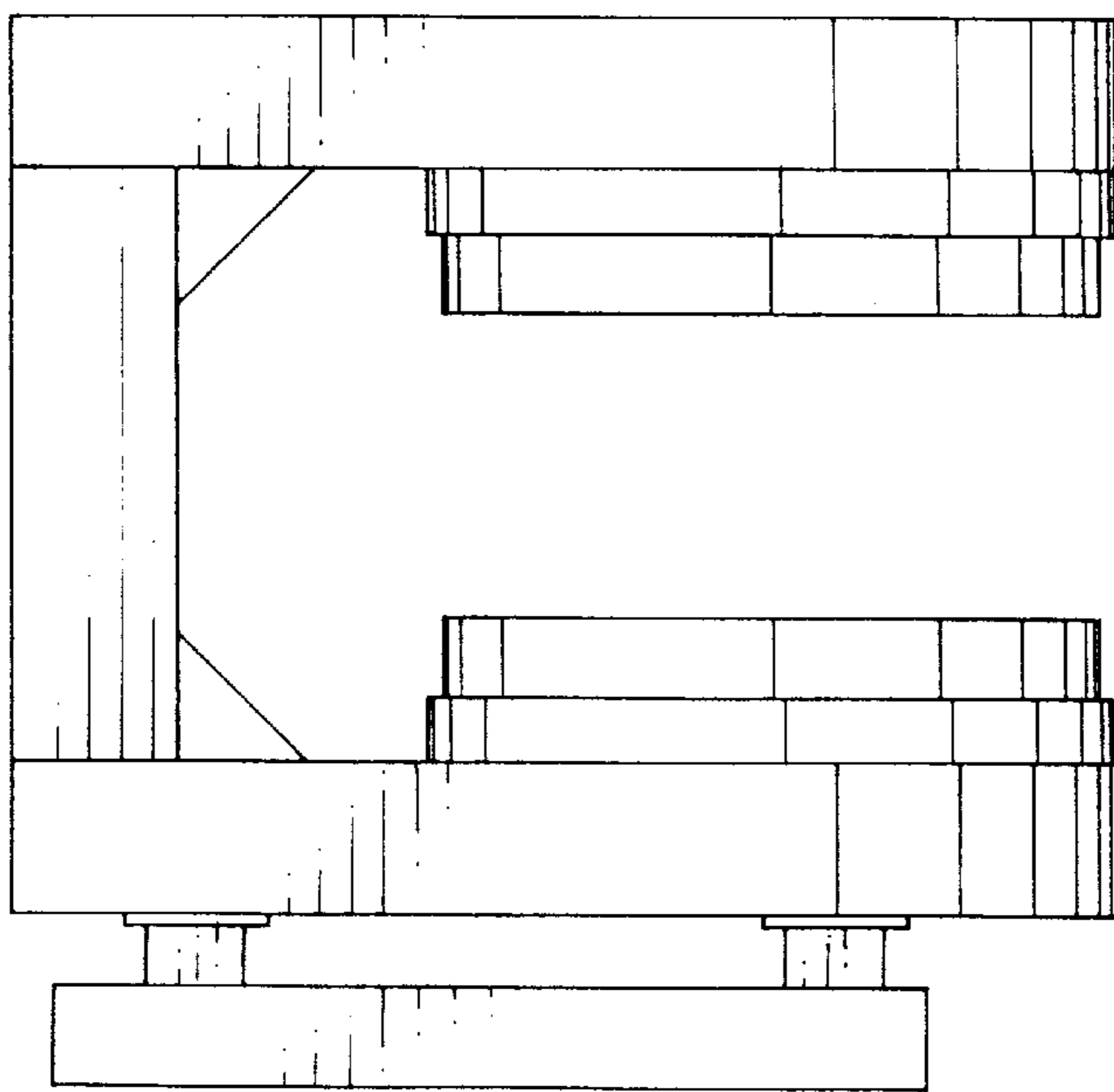


FIG. 5

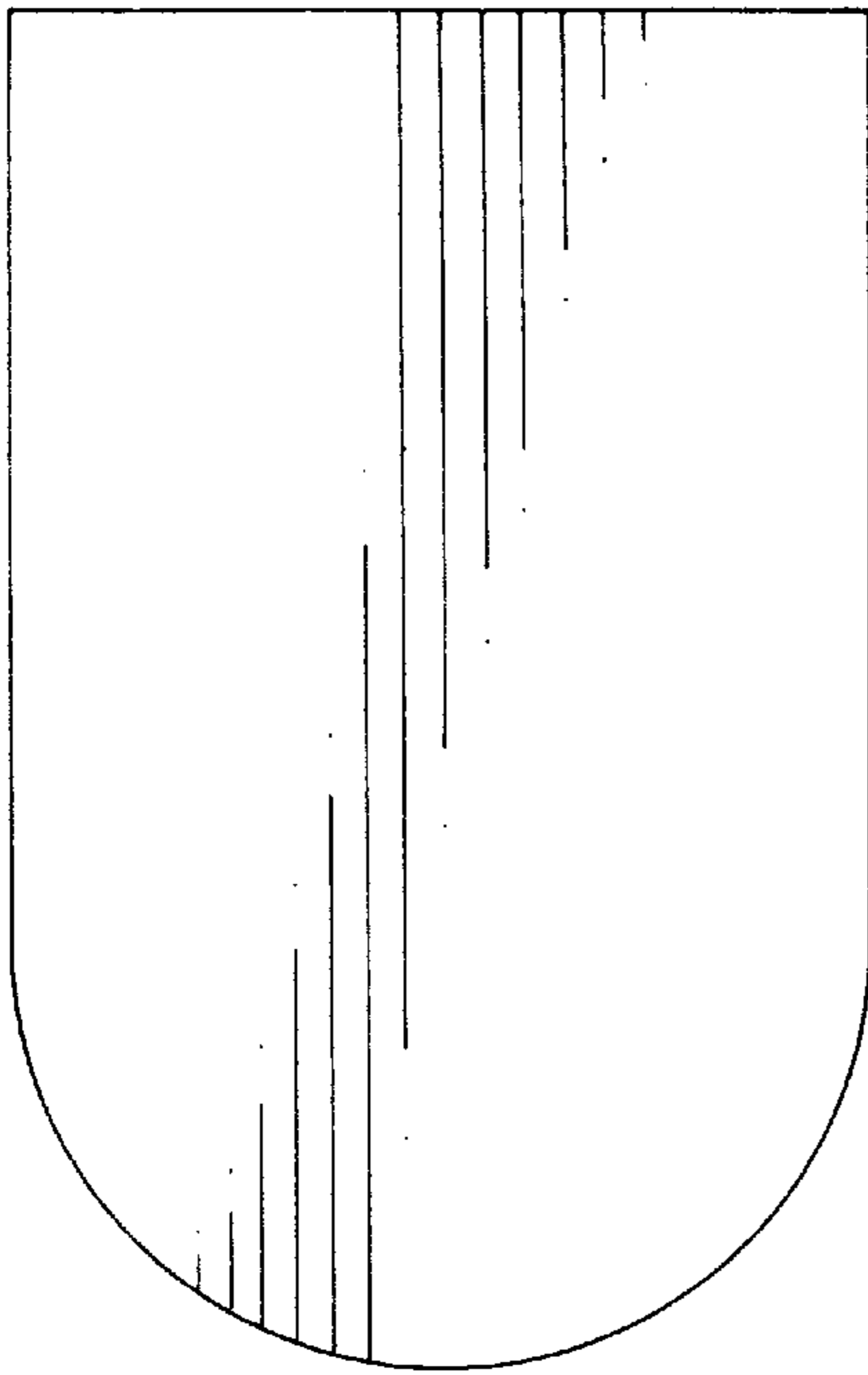


FIG. 6

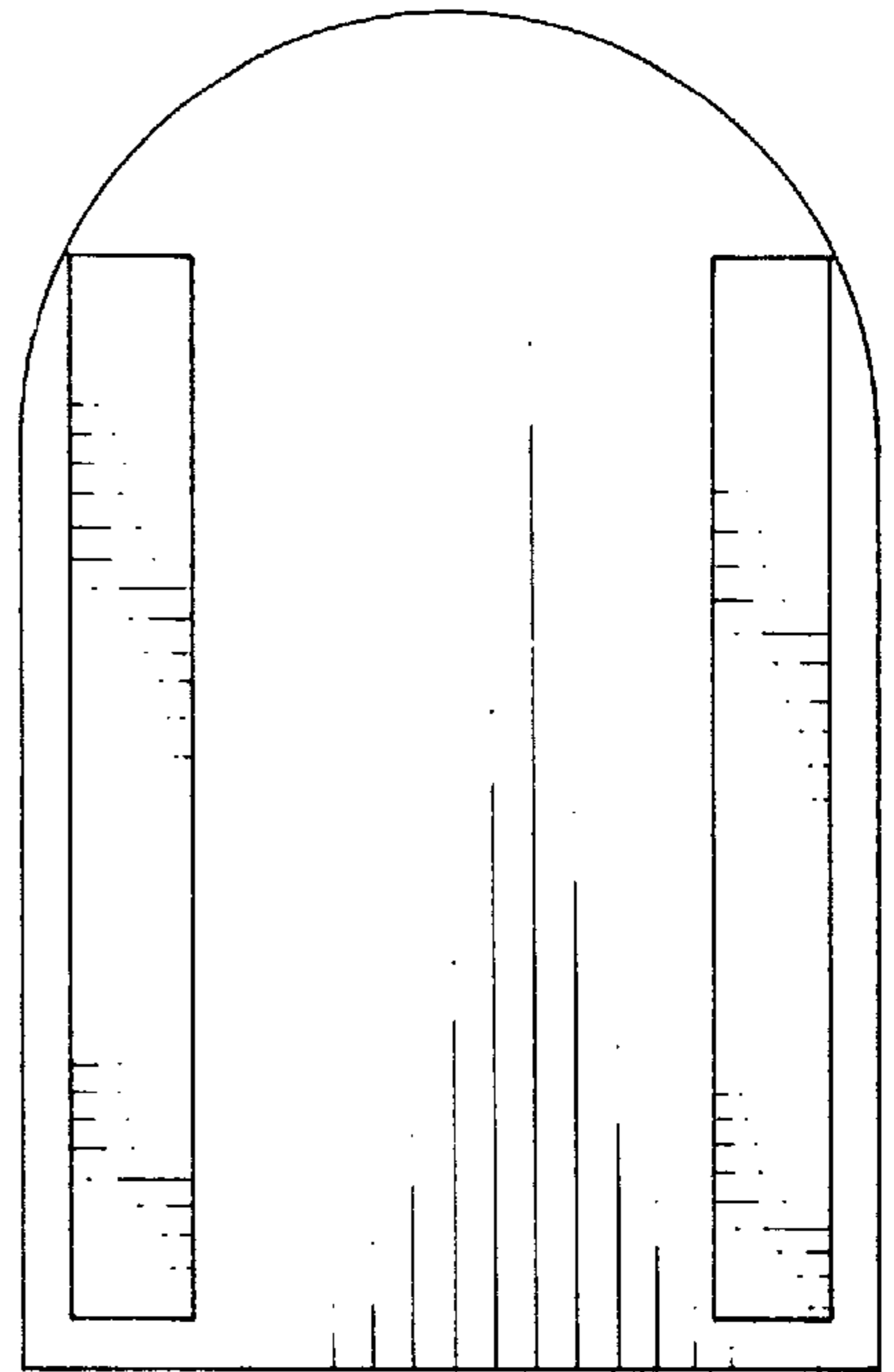


FIG. 7

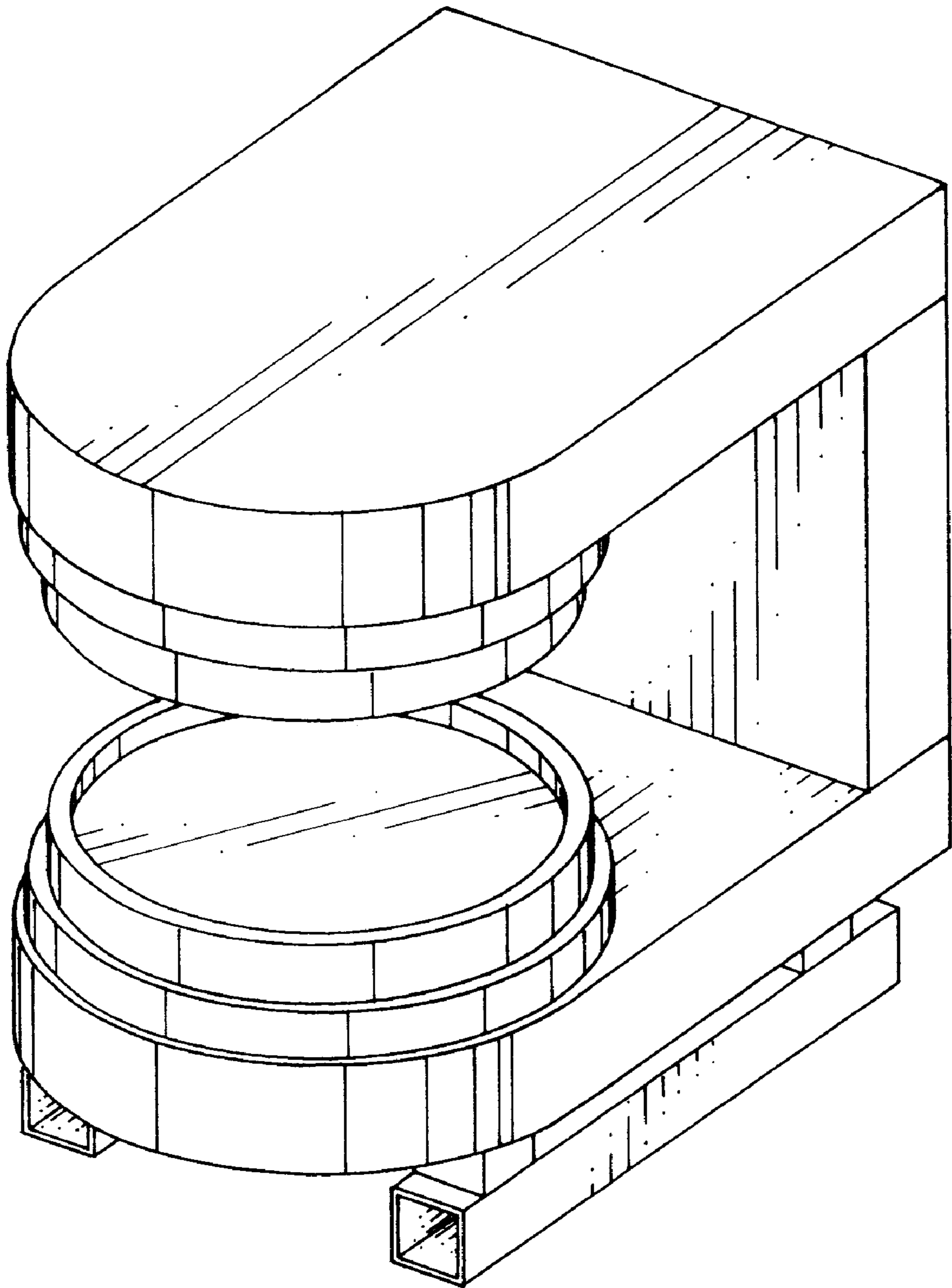


FIG. 8

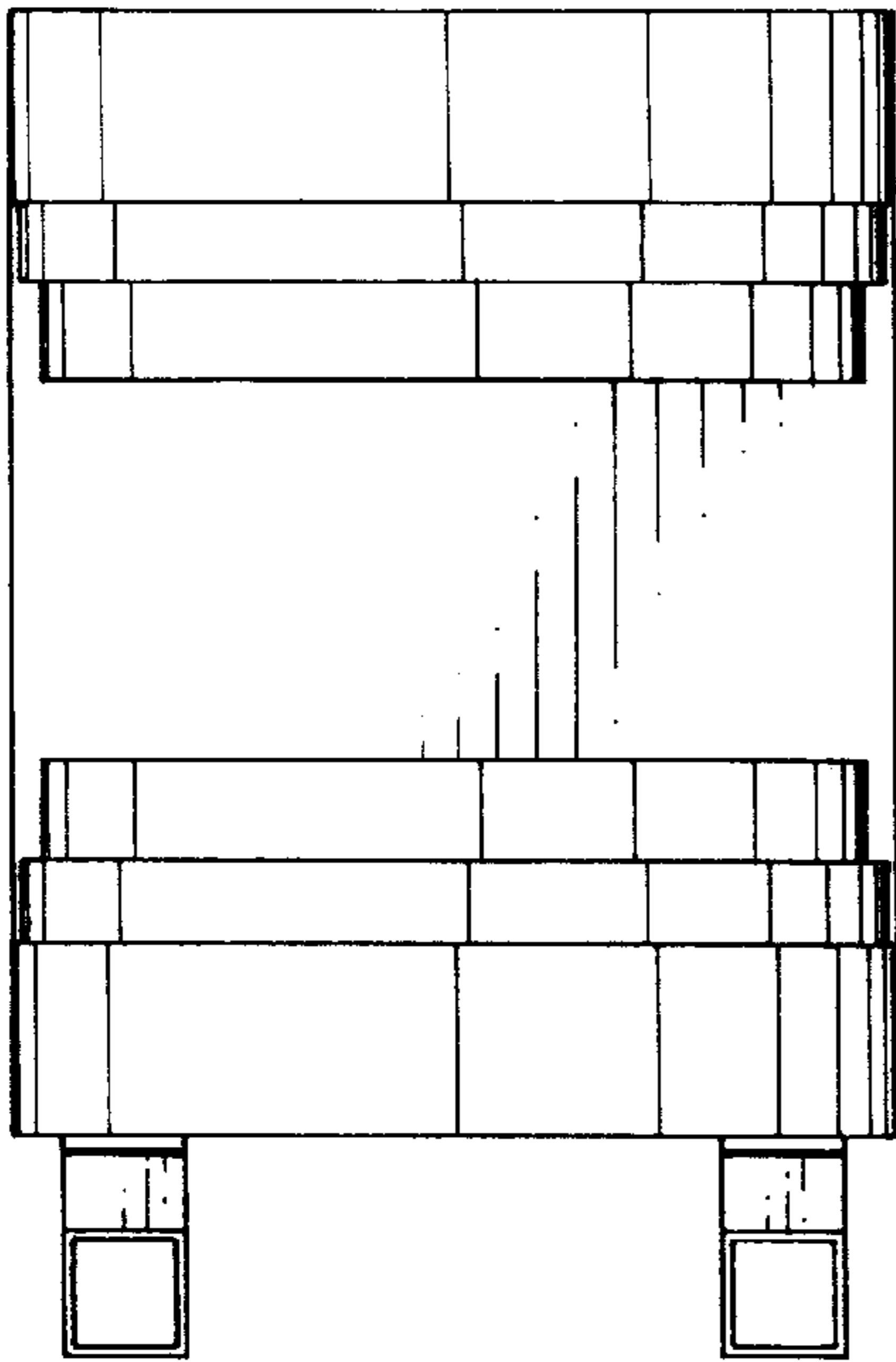


FIG. 9

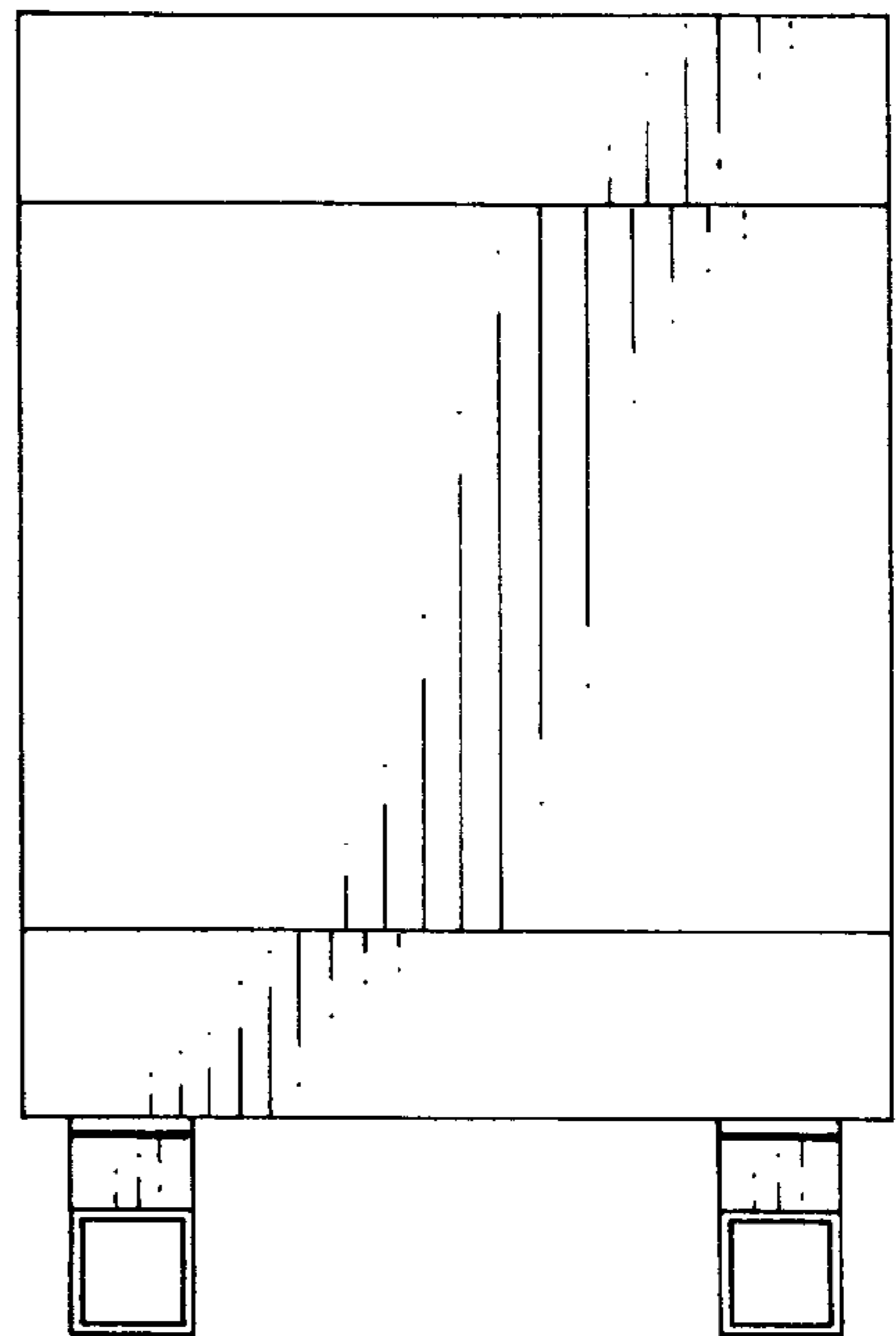


FIG. 10

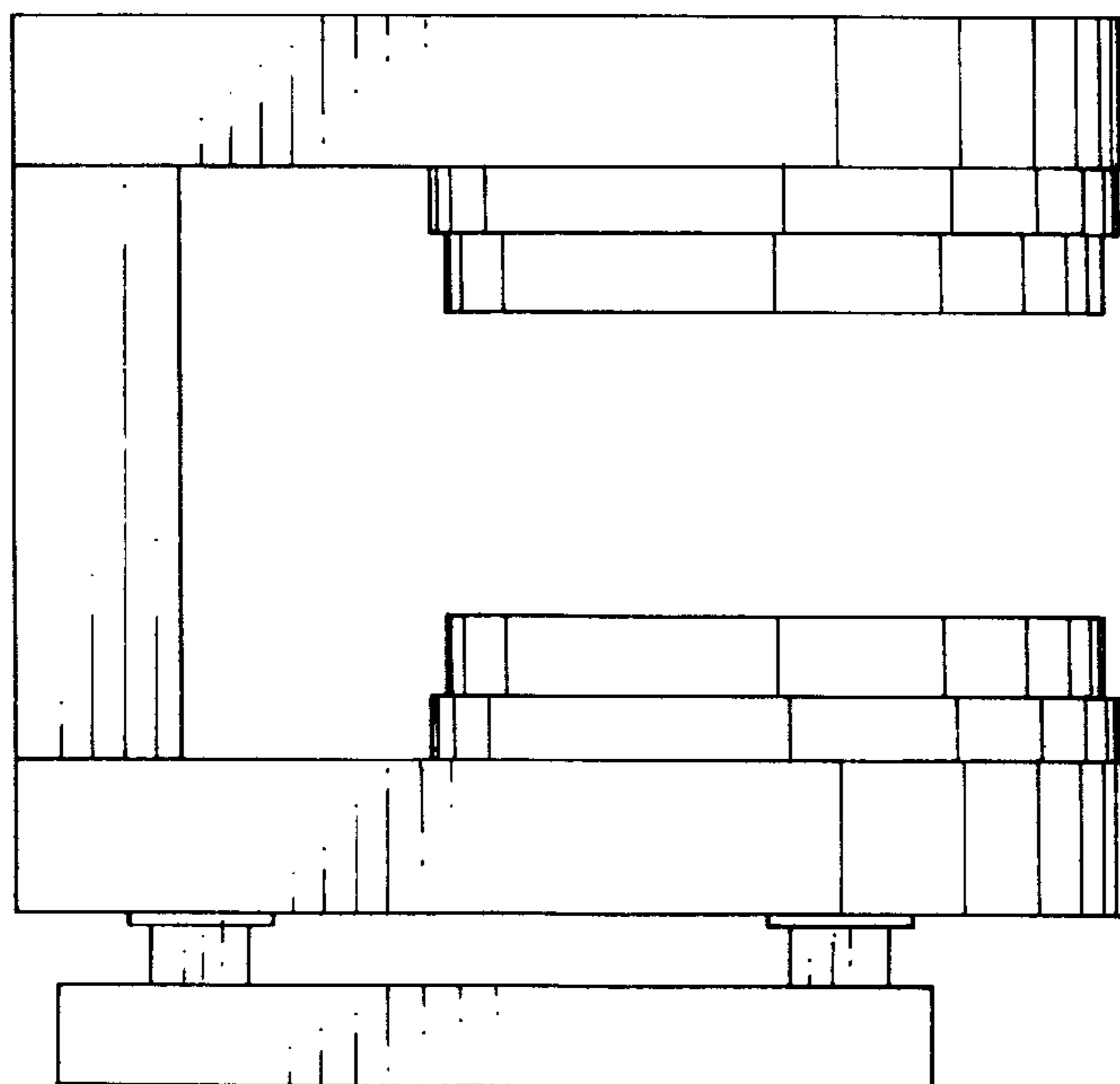


FIG. 11

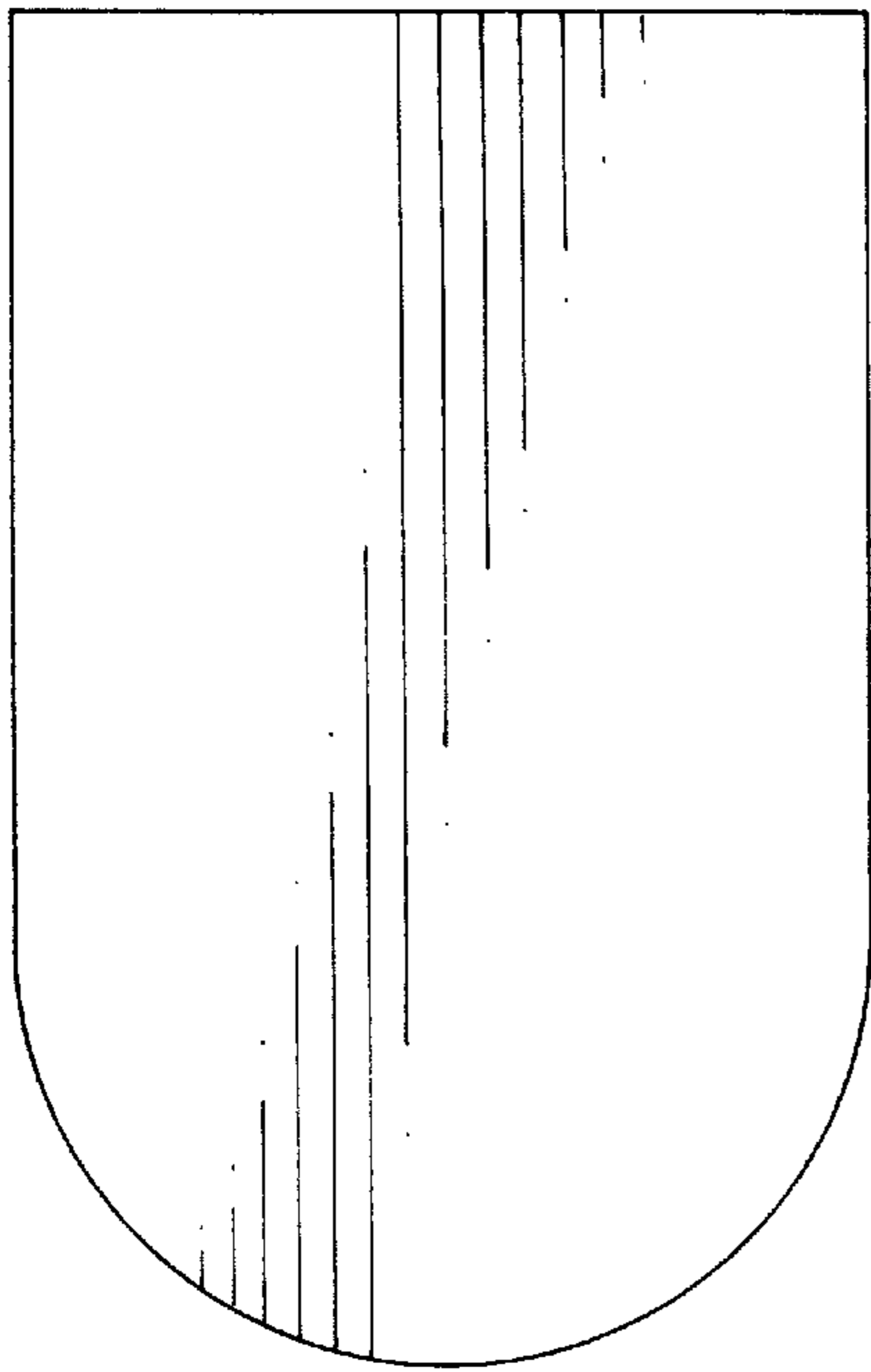


FIG. 12

