



US00D438618S

(12) **United States Design Patent**
Solem

(10) **Patent No.:** **US D438,618 S**

(45) **Date of Patent:** **** Mar. 6, 2001**

(54) **GRAFT CONNECTOR**

5,755,778 * 5/1998 Kleshinski 623/12

(76) Inventor: **Jan Otto Solem**, Nordmannavägen 20,
237 31 Bjärred (SE)

* cited by examiner

(**) Term: **14 Years**

Primary Examiner—Antoine Duval Davis

(74) *Attorney, Agent, or Firm*—Browdy and Neimark

(21) Appl. No.: **29/119,154**

(57) **CLAIM**

(22) Filed: **Feb. 25, 2000**

The ornamental design for a graft connector, as shown and described.

(30) **Foreign Application Priority Data**

DESCRIPTION

Aug. 27, 1999 (SE) 99-1530

(51) **LOC (7) Cl.** **24-03**

(52) **U.S. Cl.** **D24/155**

(58) **Field of Search** D24/155; 623/1,
623/12; 606/153

FIG. 1 is a perspective view of a graft connector embodying the present invention;

FIG. 2 is a side elevational view thereof;

FIG. 3 is a side elevational view taken from the opposite side from FIG. 2;

FIG. 4 is a front end view thereof;

FIG. 5 is a rear end view thereof;

FIG. 6 is a top plan view thereof; and,

FIG. 7 is a bottom plan view thereof.

The dominant features of my design reside in the portions shown in full lines.

(56) **References Cited**

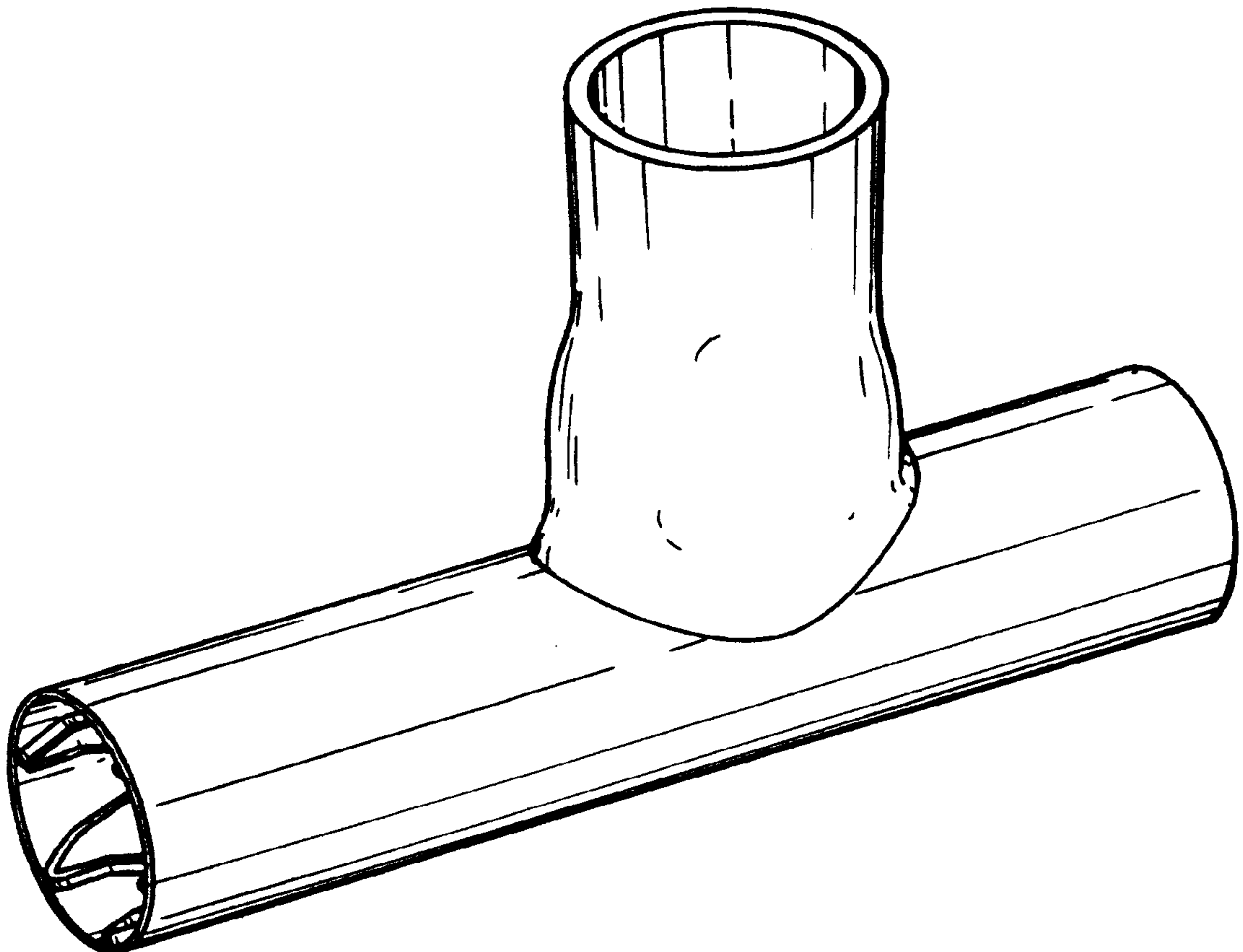
U.S. PATENT DOCUMENTS

4,795,465 * 1/1989 Marlen 623/12

5,399,352 * 3/1995 Hanson 623/12

5,755,682 * 5/1998 Knudson et al. 623/1

1 Claim, 2 Drawing Sheets



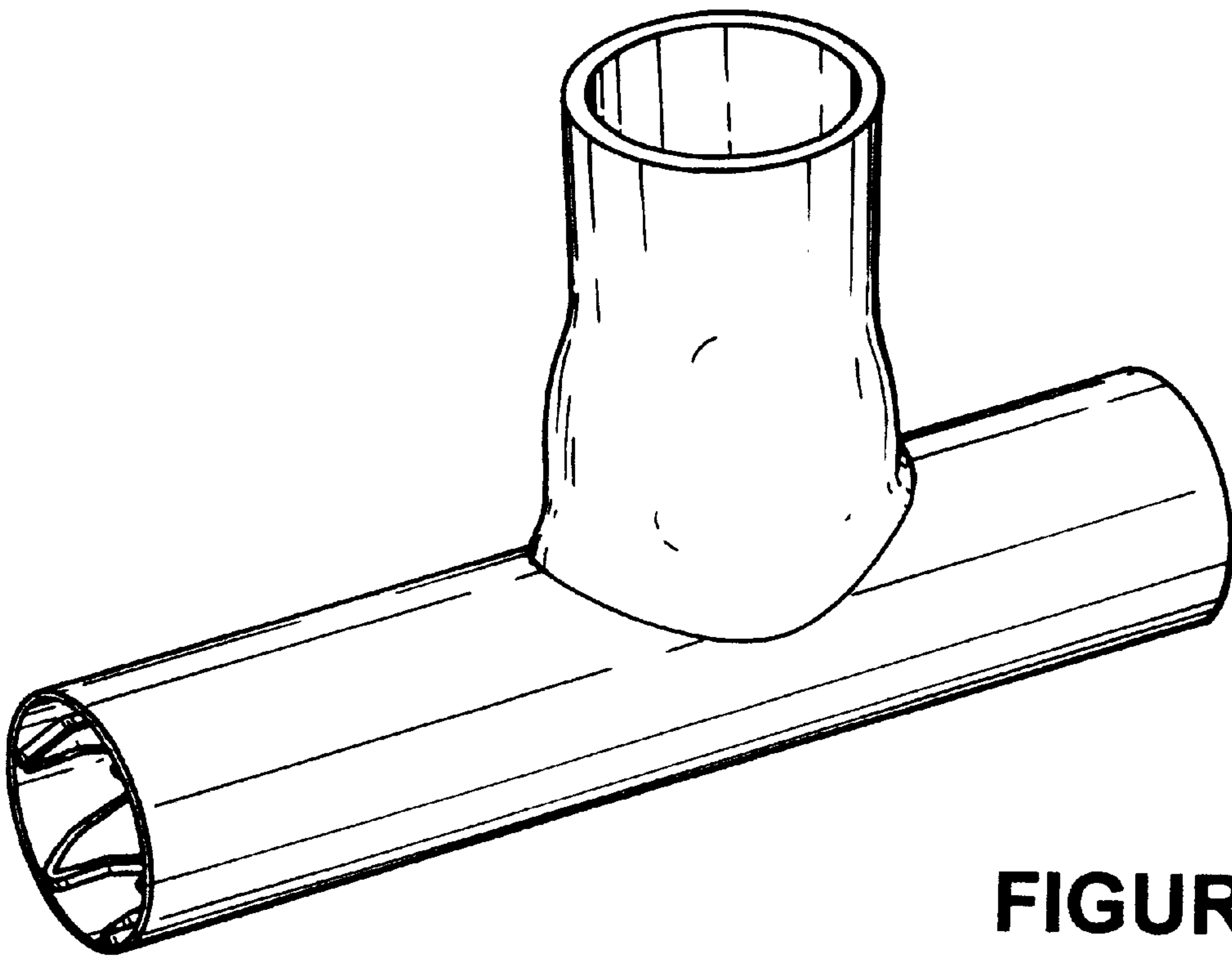


FIGURE 1

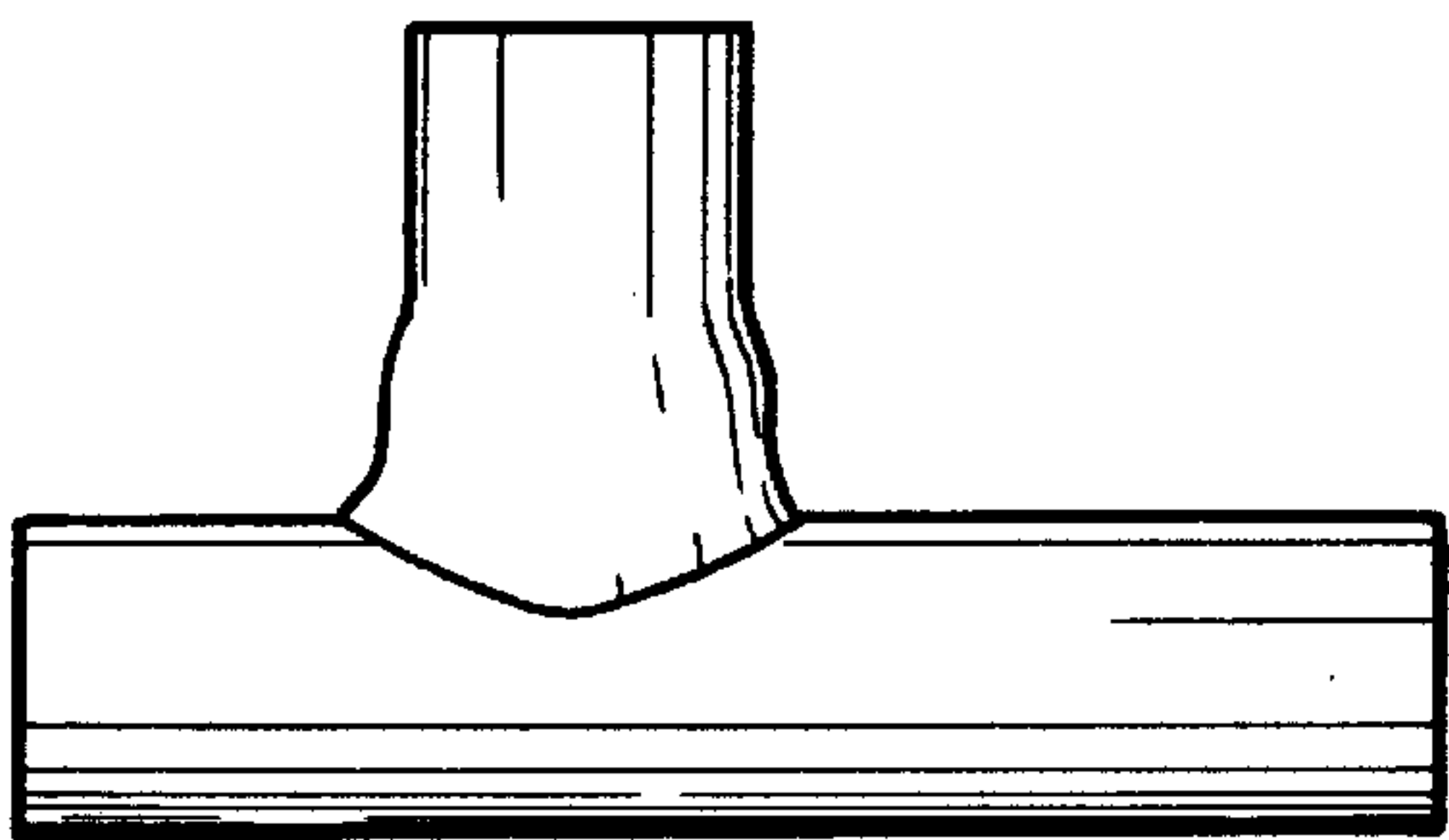


FIGURE 2

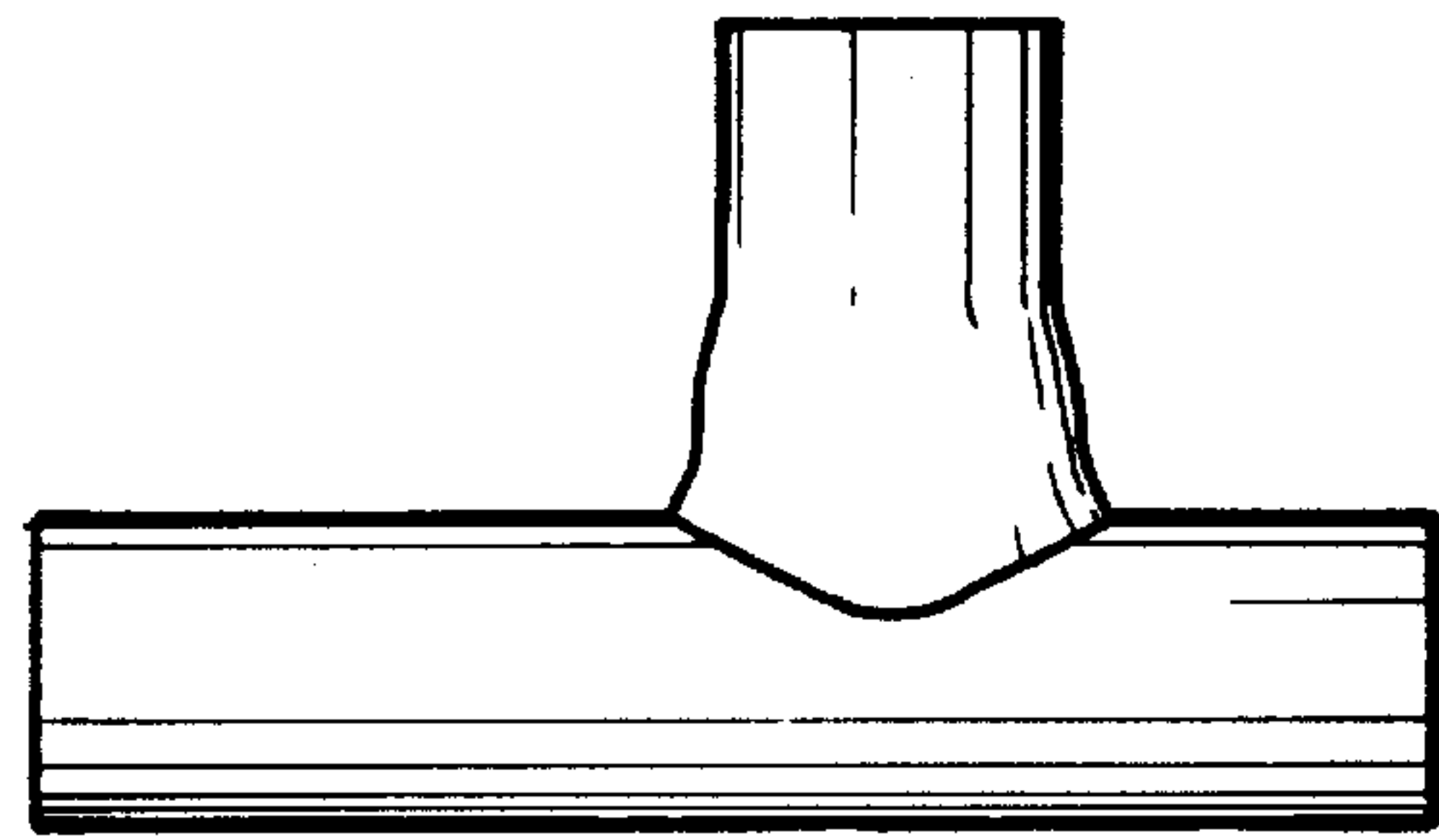


FIGURE 3

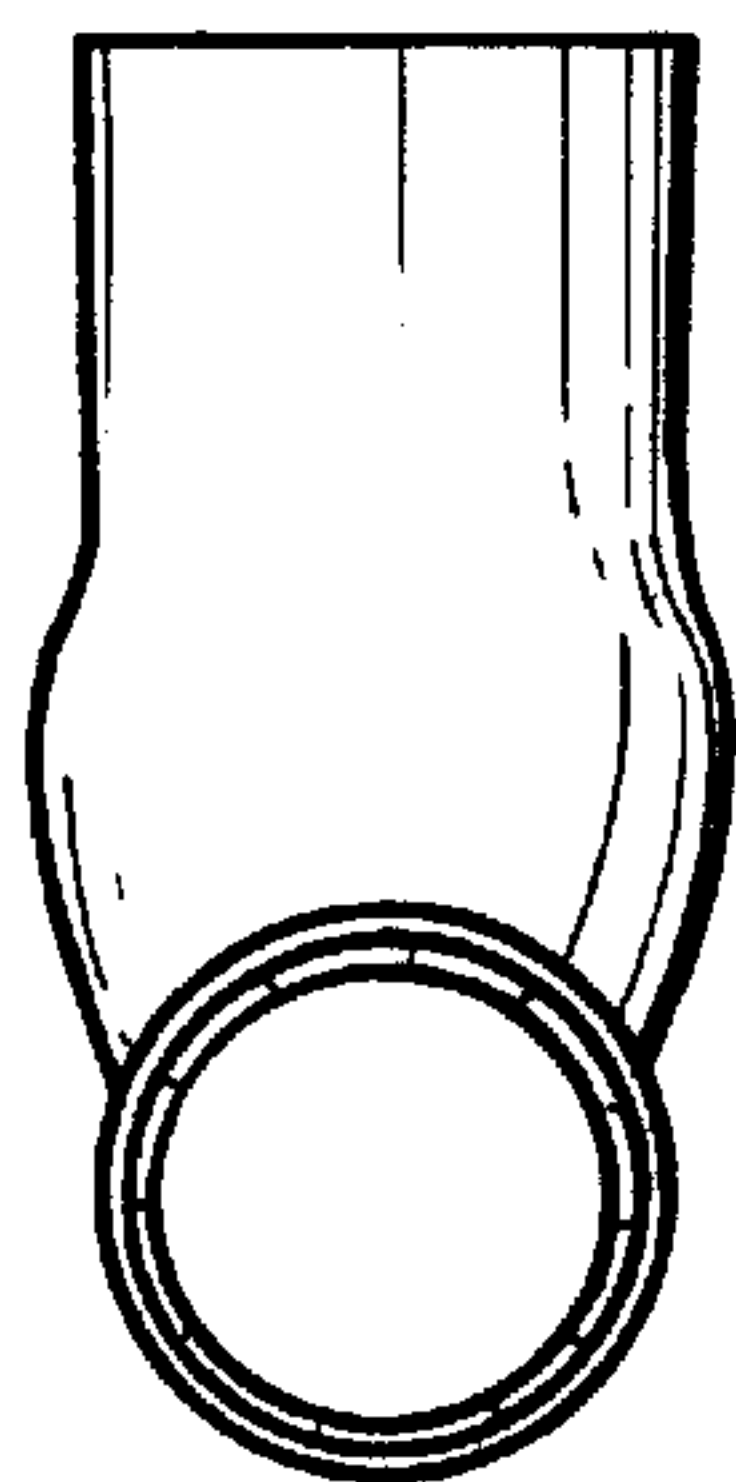


FIGURE 4

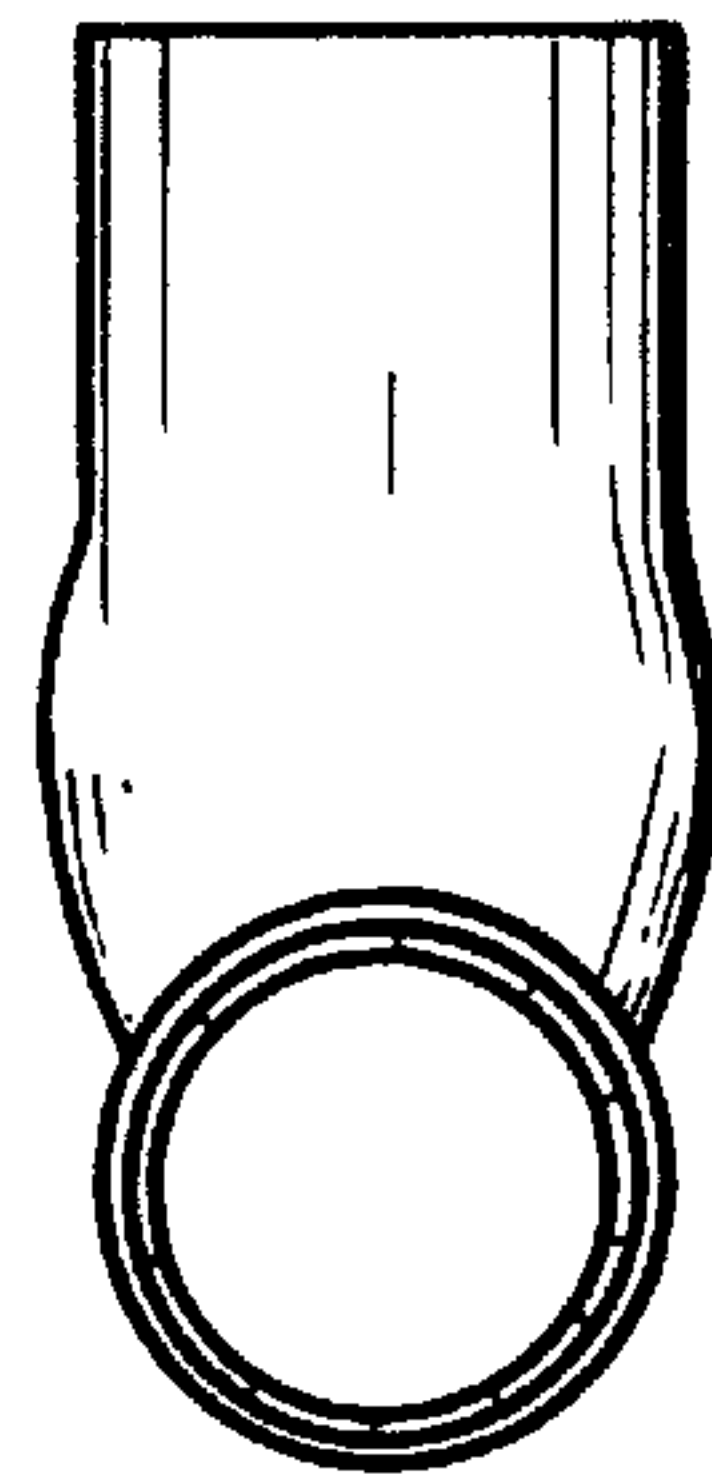


FIGURE 5

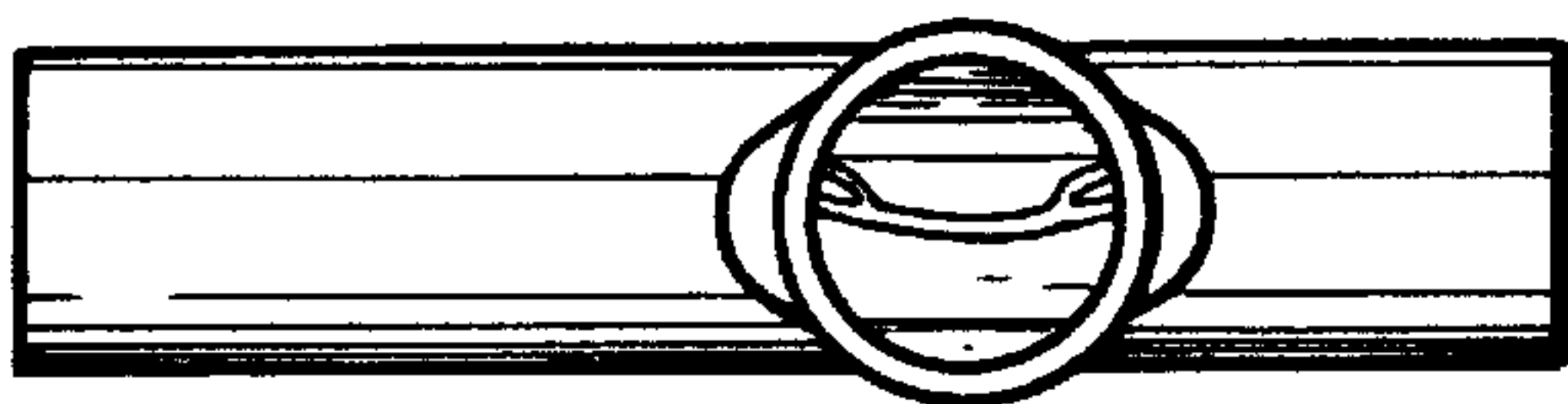


FIGURE 6

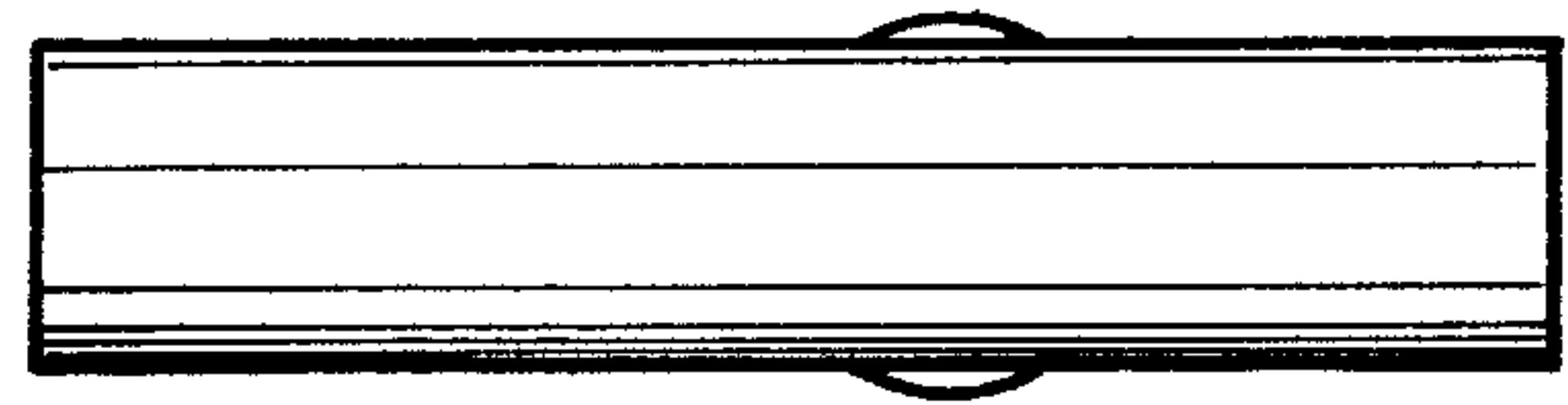


FIGURE 7