



US00D438609S

(12) **United States Design Patent**
Colliver

(10) **Patent No.:** **US D438,609 S**

(45) **Date of Patent:** **** Mar. 6, 2001**

(54) **FAN**

(75) **Inventor:** **Anthony David Colliver, Marino (AU)**

(73) **Assignee:** **FF Seeley Nominees Pty. Ltd. (AU)**

(**) **Term:** **14 Years**

(21) **Appl. No.:** **29/102,015**

(22) **Filed:** **Mar. 16, 1999**

(30) **Foreign Application Priority Data**

Oct. 14, 1998 (AU) 3239/98

(51) **LOC (7) Cl.** **23-04**

(52) **U.S. Cl.** **D23/411**

(58) **Field of Search** 416/235, 237,
416/228, 181, 93 R, 223 R, 238, 185; D23/370,
379, 411

(56) **References Cited**

U.S. PATENT DOCUMENTS

D. 346,438	4/1994	Caldwell .	
590,178	*	9/1897	White 416/235
5,616,004		4/1997	Alizadeh .
5,624,234		4/1997	Neely et al. .

OTHER PUBLICATIONS

Commercial literature from Ziehl-Abegg, date unknown, one page.

Commercial Product "Fan Axial Flow Model 600" by Seeley International Pty. Ltd., Adelaide, Australia, one page, date Feb. 24, 1988.

* cited by examiner

Primary Examiner—Lisa Lichtenstein

(74) *Attorney, Agent, or Firm*—Watts, Hoffmann, Fisher & Heinke Co., L.P.A.

(57) **CLAIM**

The ornamental design for a fan, as shown and described.

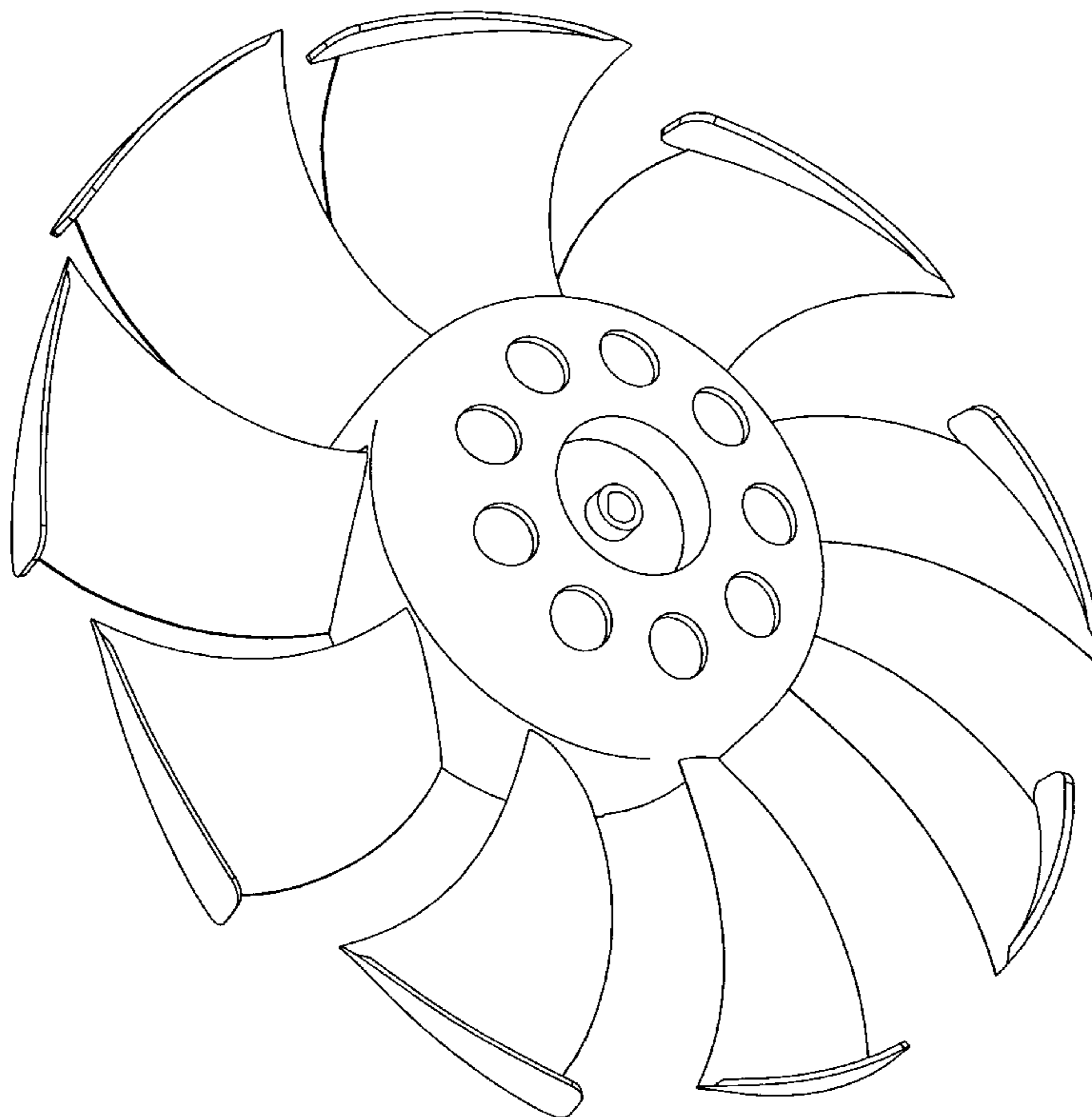
DESCRIPTION

FIG. 1 is a front perspective view of the fan of this invention; FIG. 2 is a front elevational view thereof; FIG. 3 is a side elevational view thereof as seen from the left hand side of FIG. 2, it being recognized that the right hand side elevational view is a mirror image and top and bottom views are identical to the left and right side elevational views;

FIG. 4 is a rear elevational view thereof; and, FIG. 5 is a rear perspective view thereof.

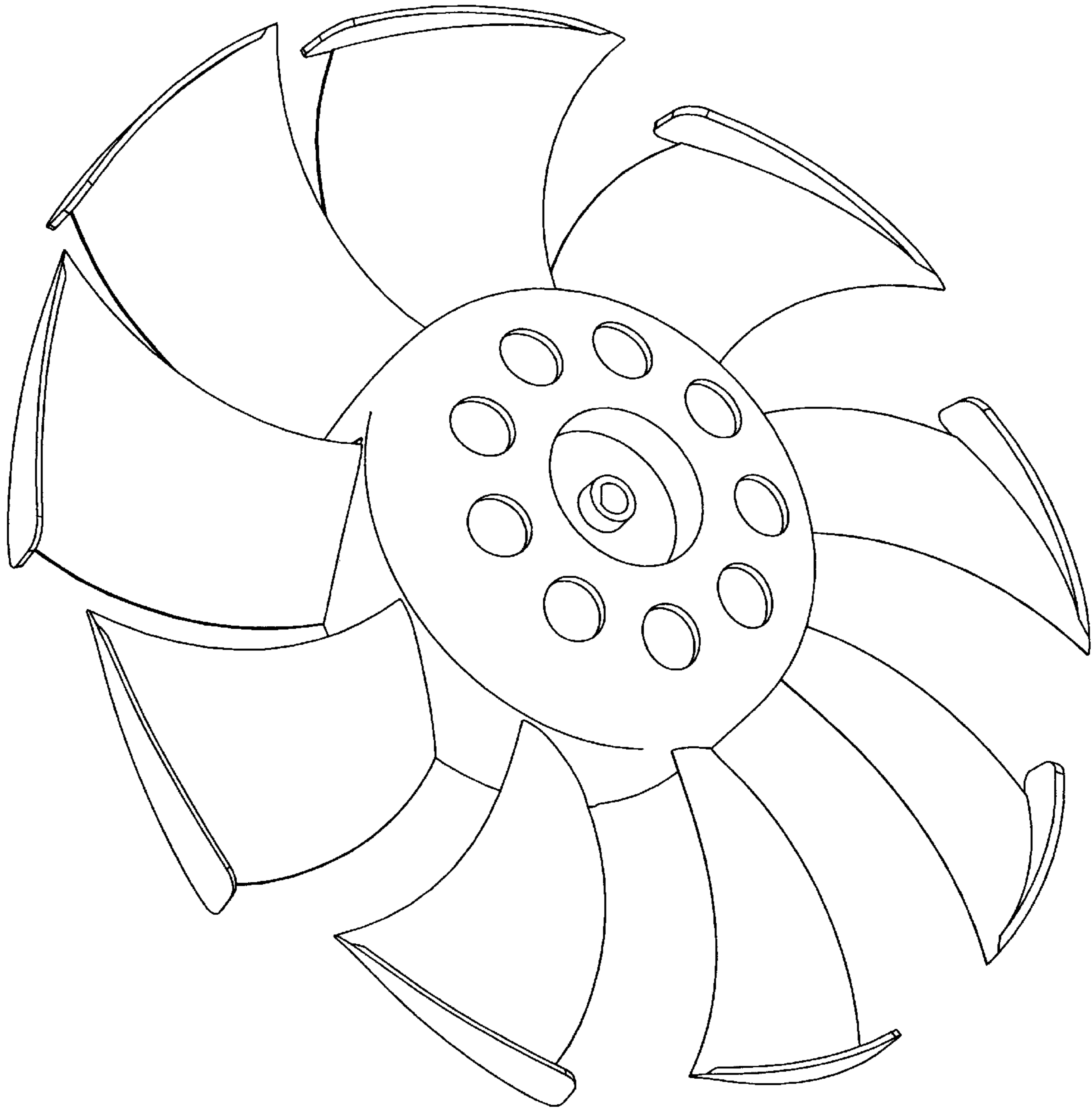
The indicia is not being claimed.

1 Claim, 5 Drawing Sheets



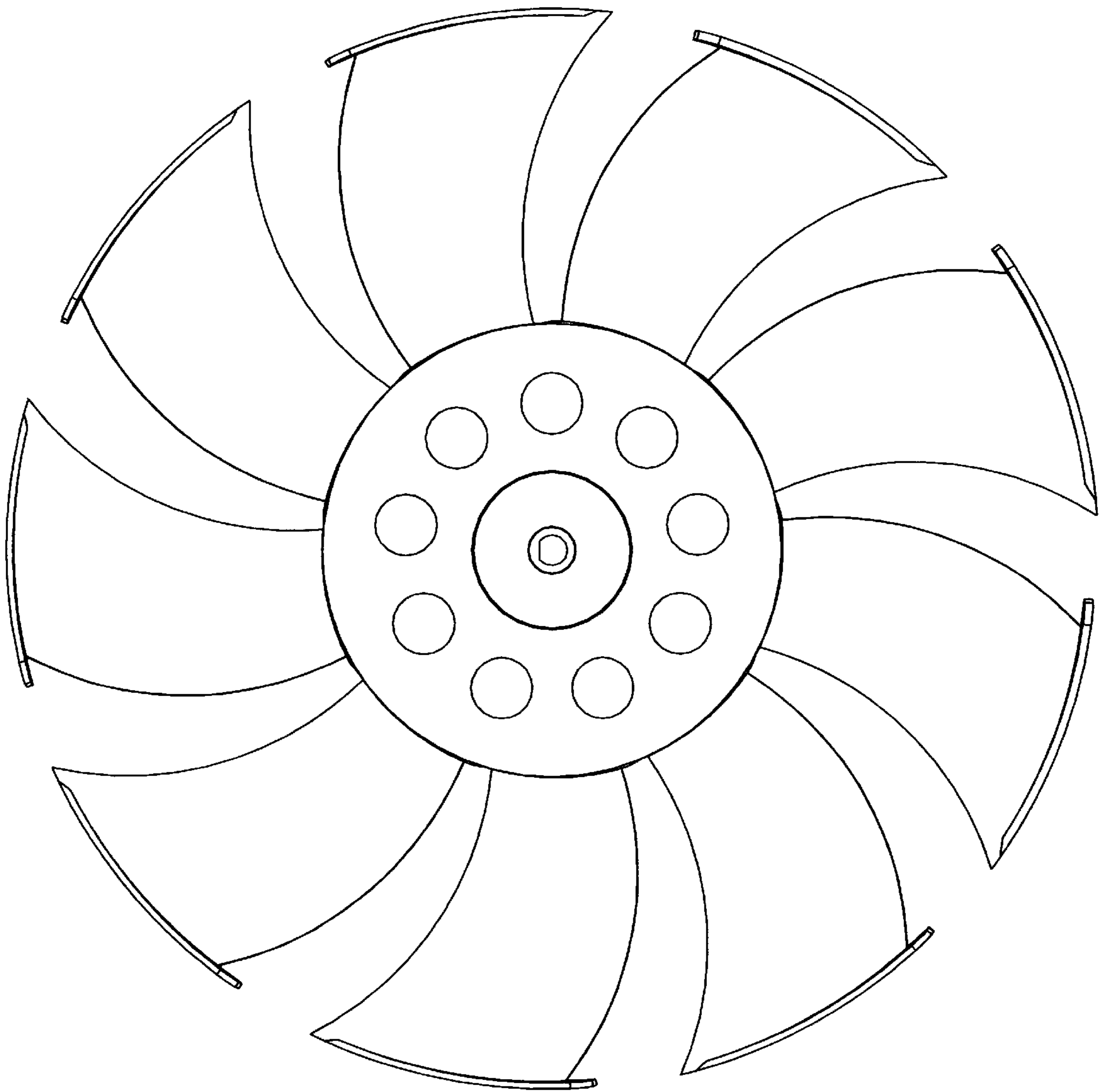
FRONT PERSPECTIVE VIEW

FIG. 1



FRONT PERSPECTIVE VIEW

FIG. 2



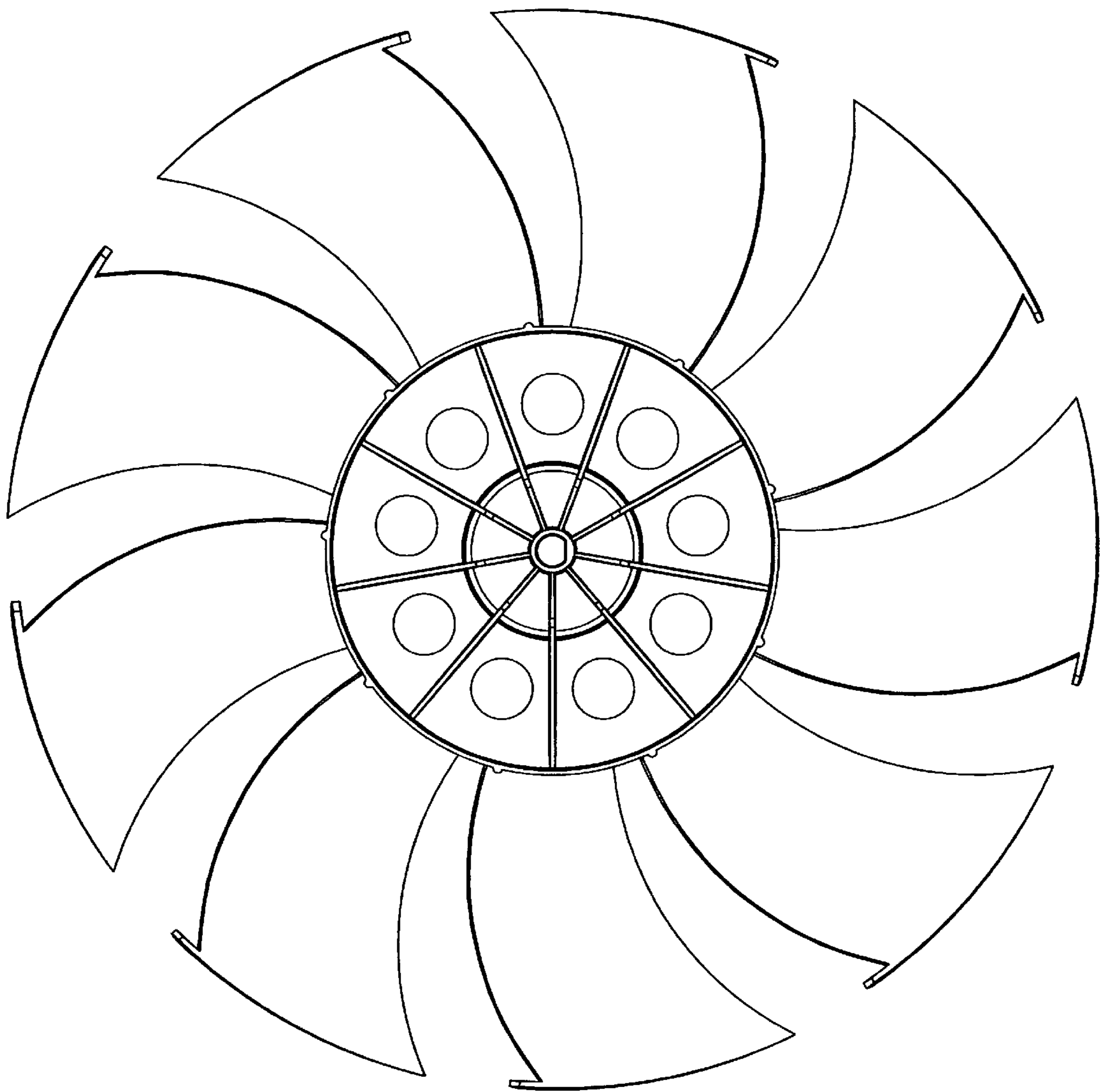
FRONT VIEW

FIG. 3



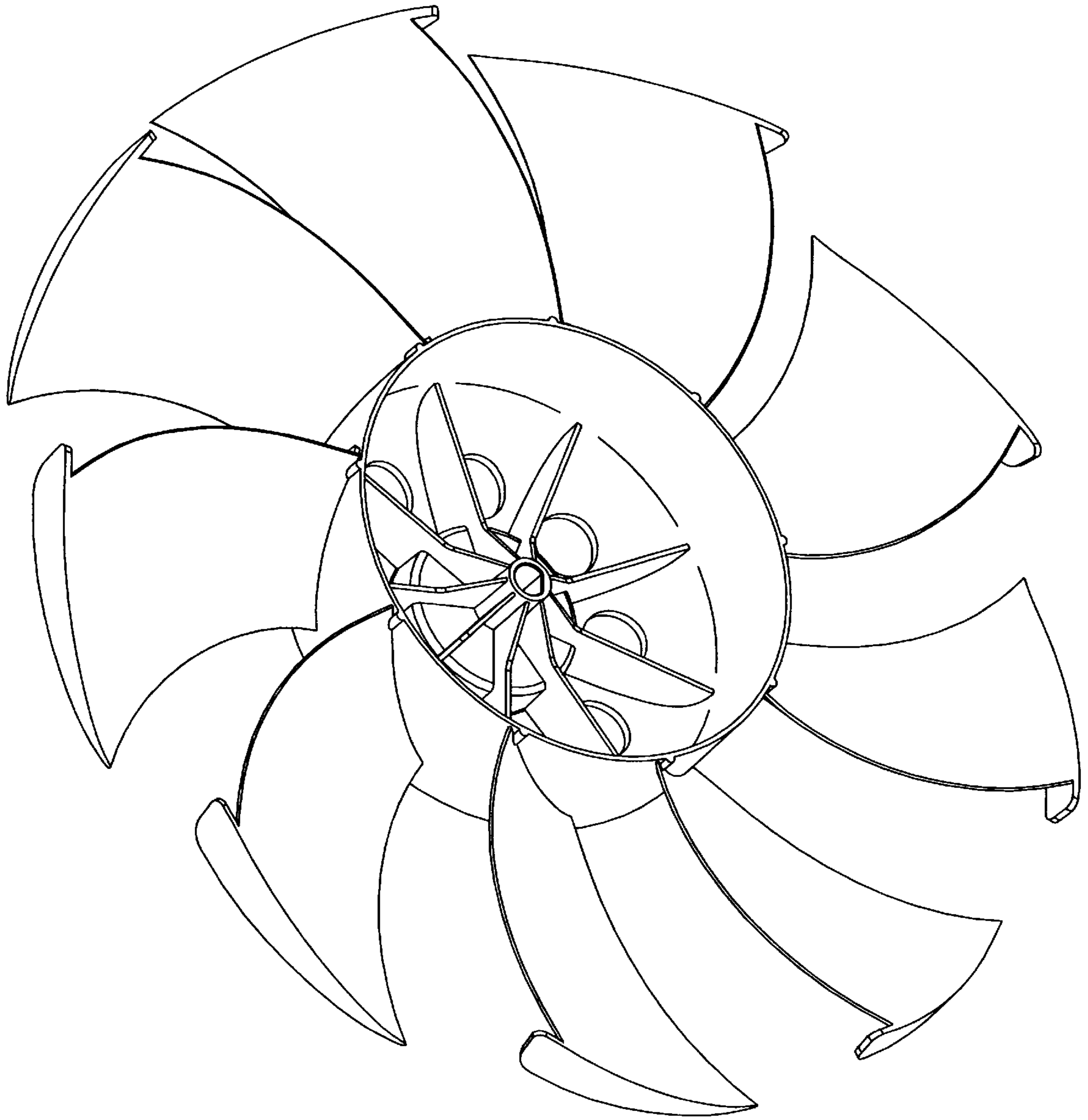
SIDE VIEW

FIG. 4



REAR VIEW

FIG. 5



REAR PERSPECTIVE VIEW