



US00D438603S

(12) **United States Design Patent**
Chao

(10) **Patent No.:**

US D438,603 S

(45) **Date of Patent:**

**** Mar. 6, 2001**

(54) **WATER PIPE CONNECTOR**

(76) Inventor: **Hui-Chen Chao**, 75,Liau Tsuo
Hsiang,Liau Tsuo Li, Lu Kang Chen,
Chang Hua Hsien (TW)

(**) Term: **14 Years**

(21) Appl. No.: **29/122,530**

(22) Filed: **Apr. 28, 2000**

(51) **LOC (7) Cl.** **23-01**

(52) **U.S. Cl.** **D23/262**

(58) **Field of Search** D23/259, 262,
D23/223; D24/129; 285/8, 34, 35, 144.1,
145.2, 145.3, 146.1, 148.1, 148.15, 148.22,
153.1, 238, 261, 272, 275, 314, 347, 376,
390

(56) **References Cited**

U.S. PATENT DOCUMENTS

- D. 408,889 * 4/1999 Hui-Chen D23/223
- D. 432,262 * 10/2000 Chao D23/233
- 3,376,053 * 4/1968 Novakovich et al. 285/347

3,413,017 * 11/1968 Hughey 285/148.22

5,152,554 * 10/1992 LaFleur et al. 285/34

5,901,887 * 5/1999 Wark 285/148.22

* cited by examiner

Primary Examiner—Robin V. Taylor

Assistant Examiner—Reid Hecker

(74) *Attorney, Agent, or Firm*—Harrison & Egbert

(57) **CLAIM**

The ornamental design for a water pipe connector, as shown and described.

DESCRIPTION

FIG. 1 is an upper perspective view of the water pipe connector showing my design.

FIG. 2 is a front view thereof;

FIG. 3 is a back view thereof;

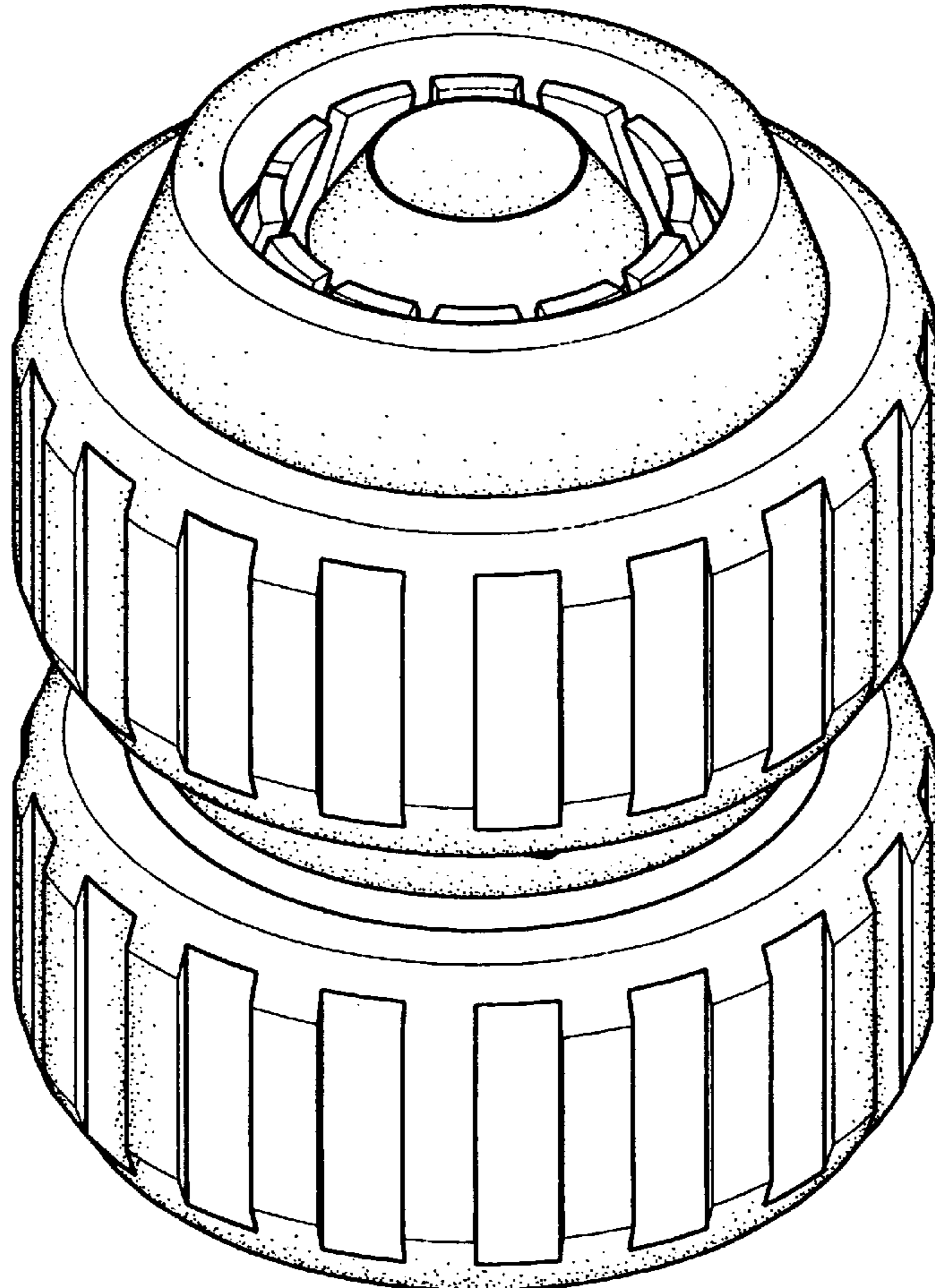
FIG. 4 is a side view thereof;

FIG. 5 is an opposite side view thereof;

FIG. 6 is a top view thereof; and,

FIG. 7 is a bottom view thereof.

1 Claim, 4 Drawing Sheets



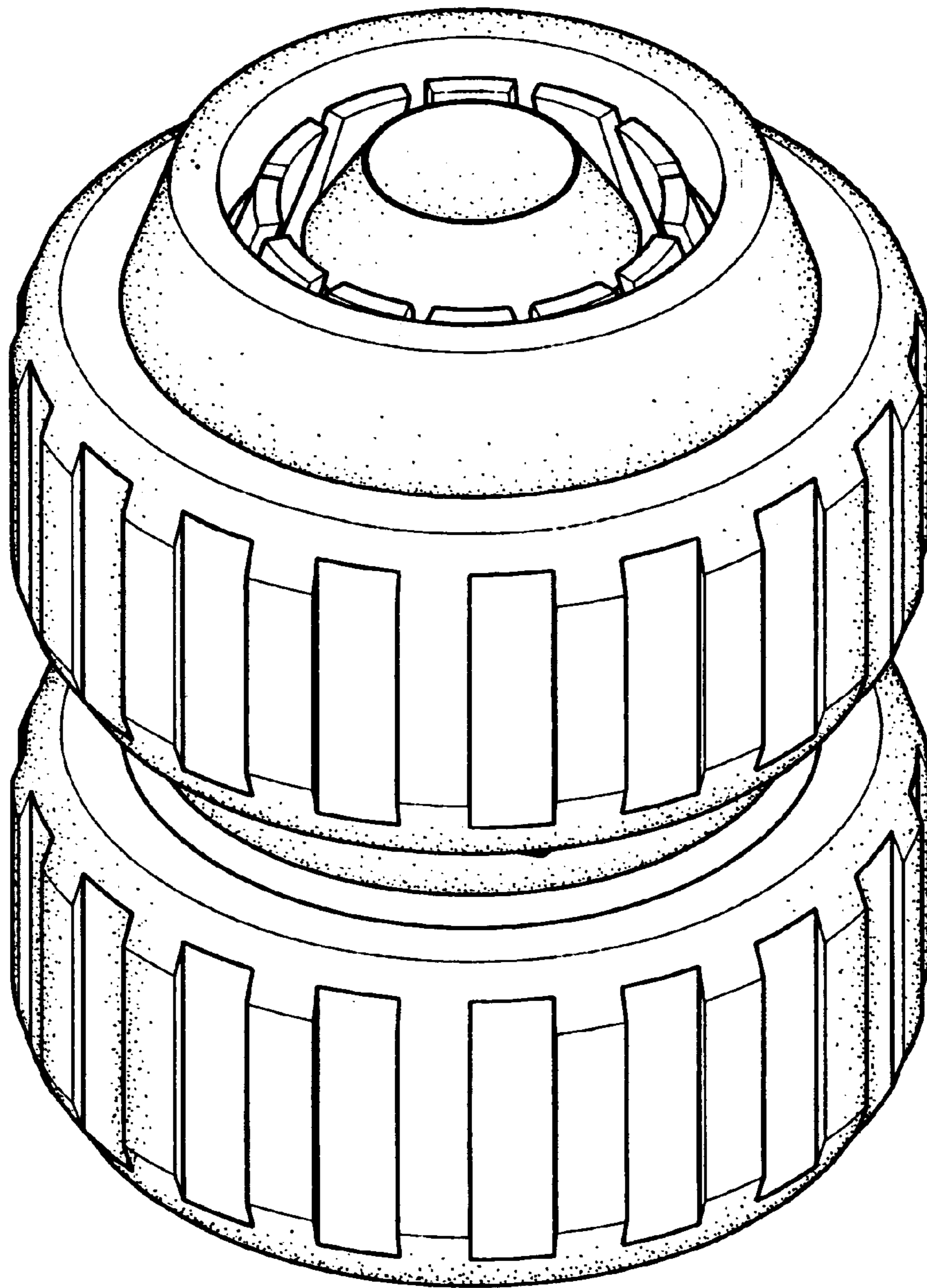


FIG.1

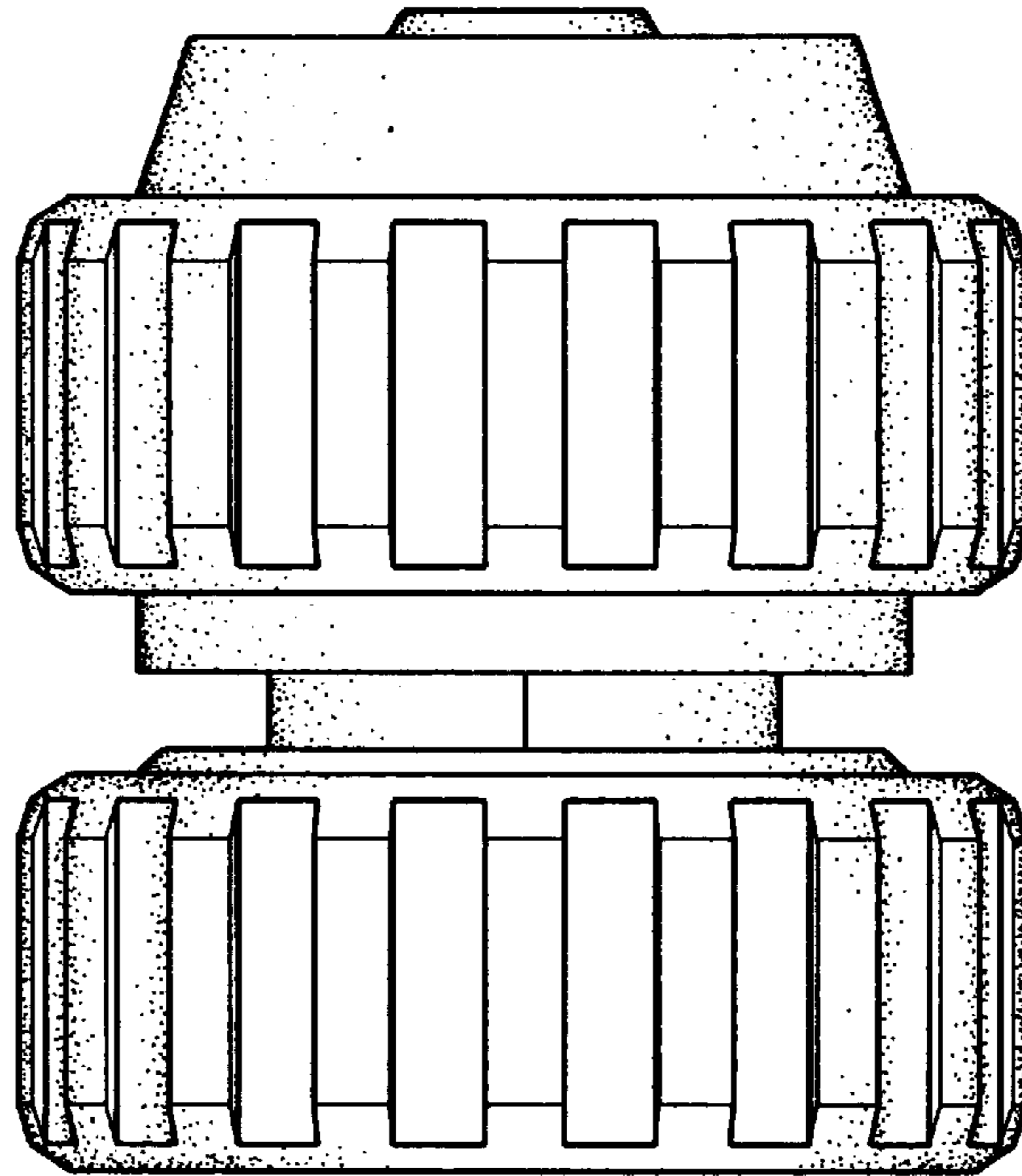


FIG. 2

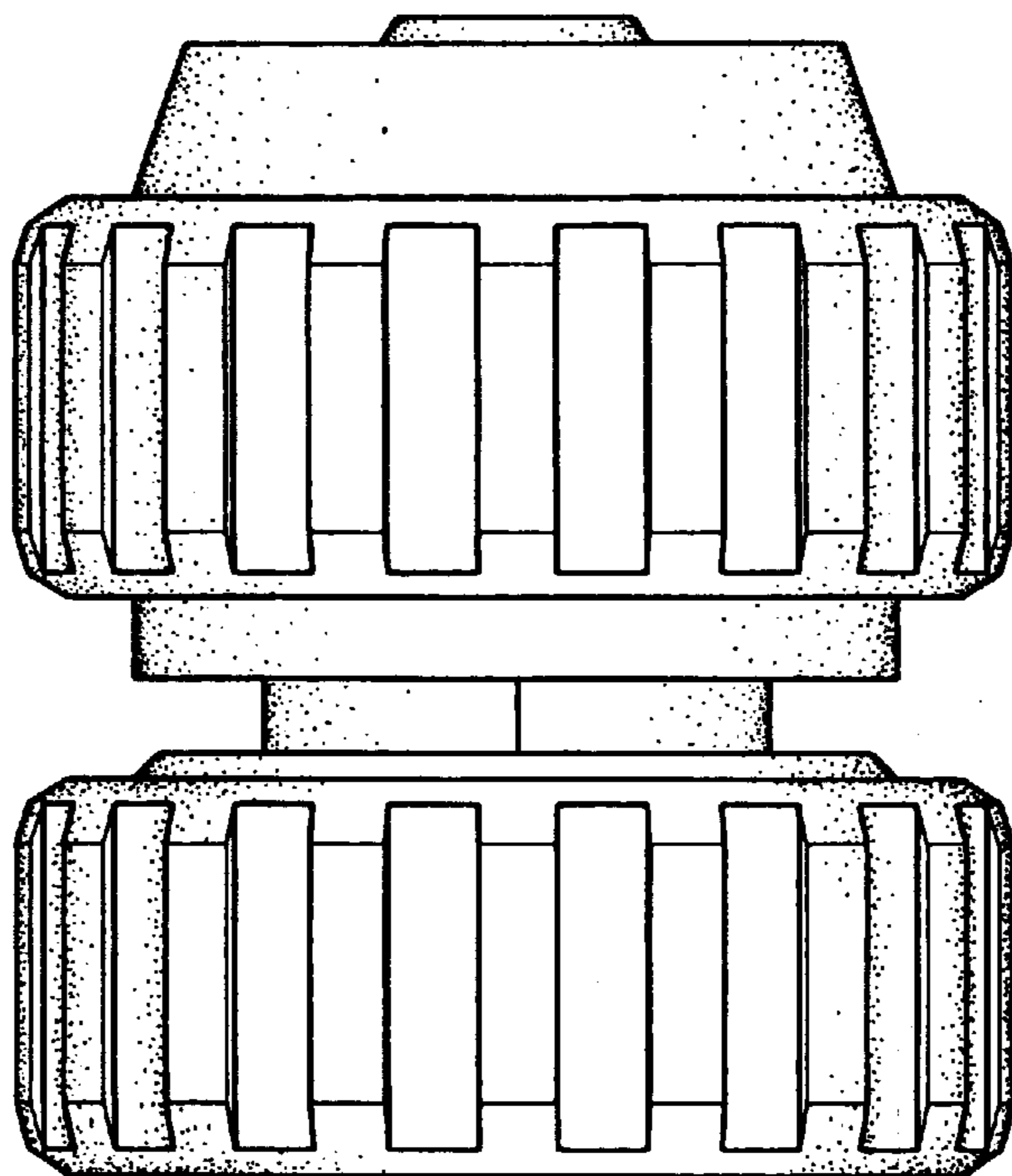


FIG. 3

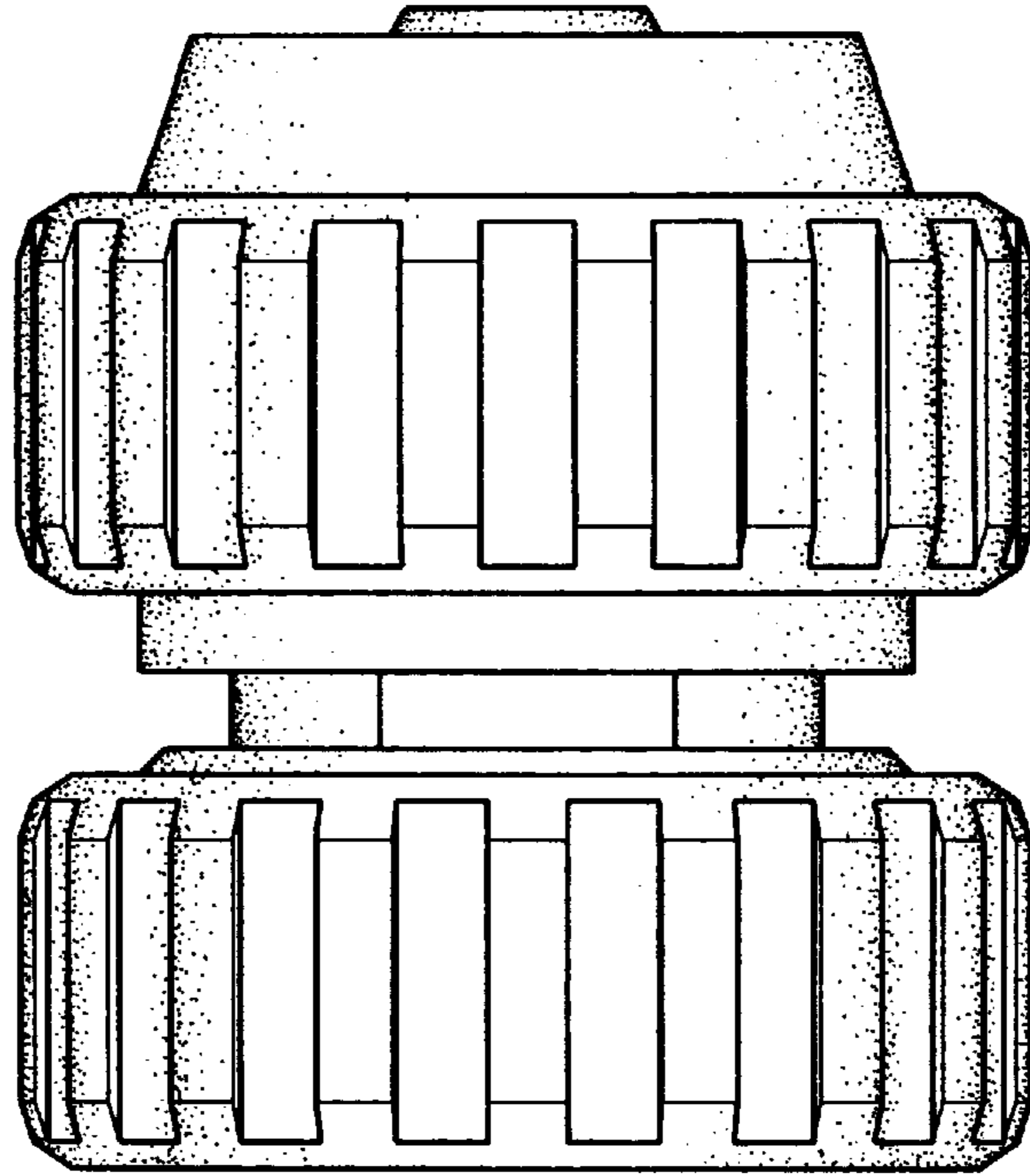


FIG. 4

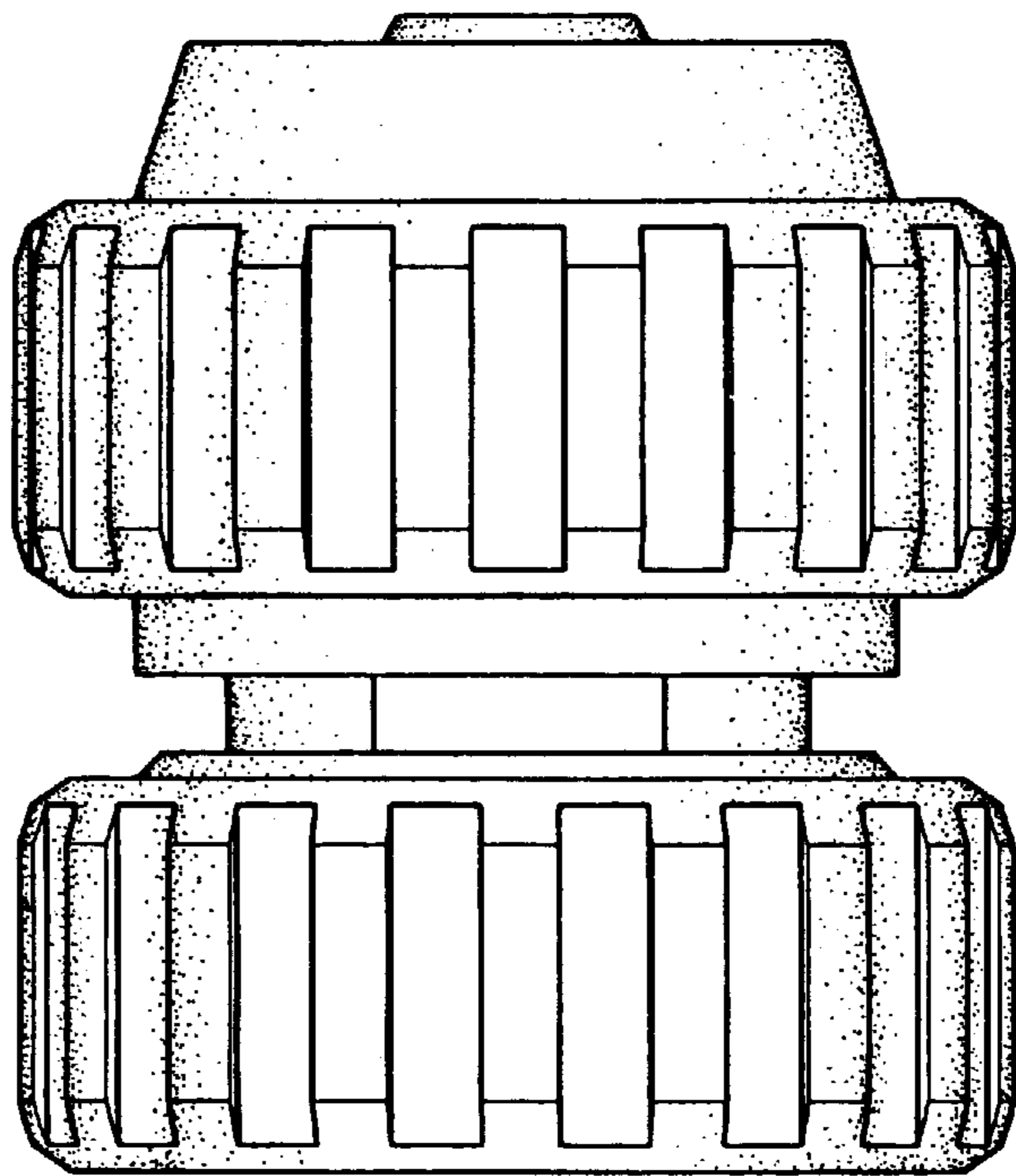


FIG. 5

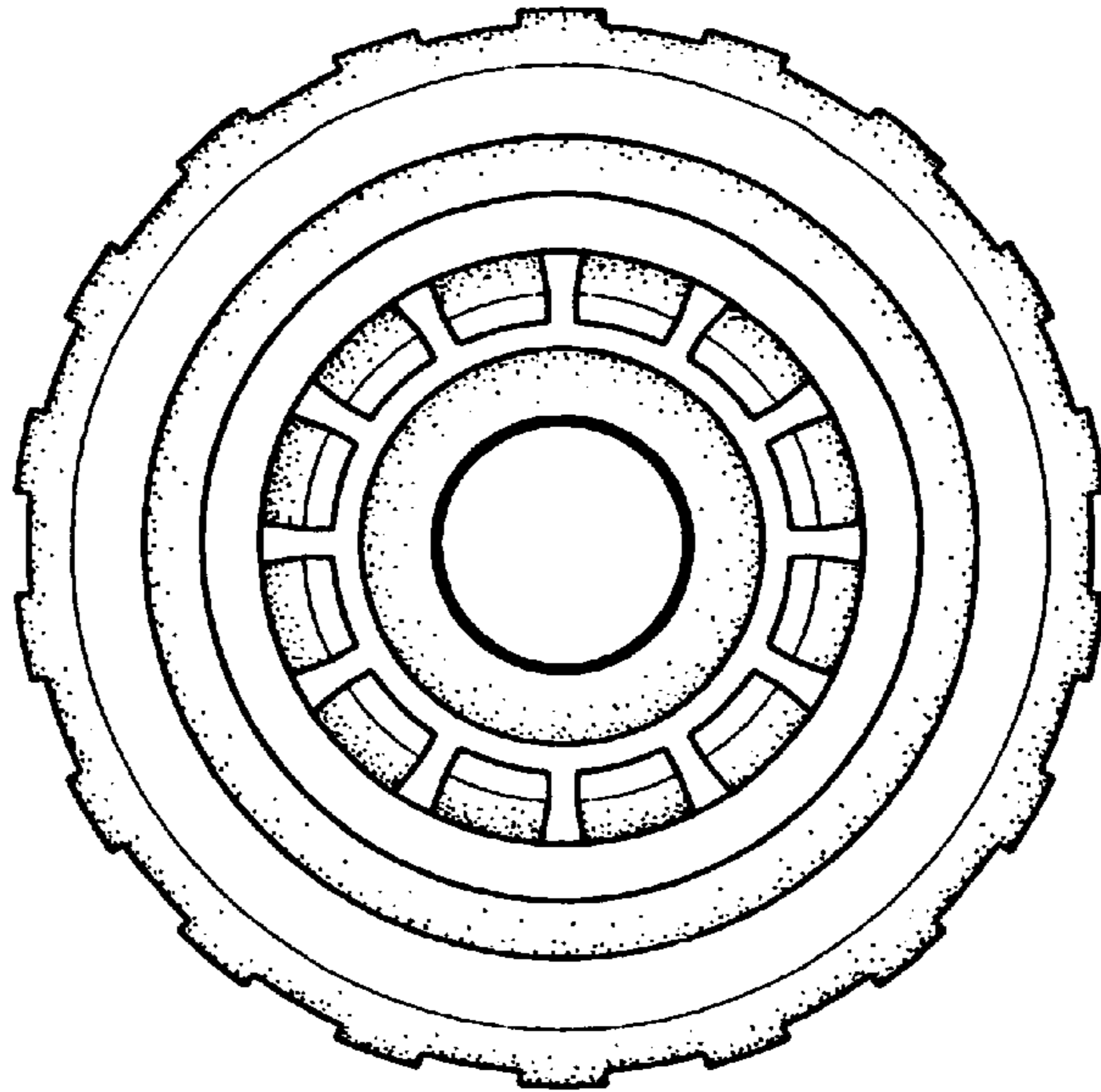


FIG. 6

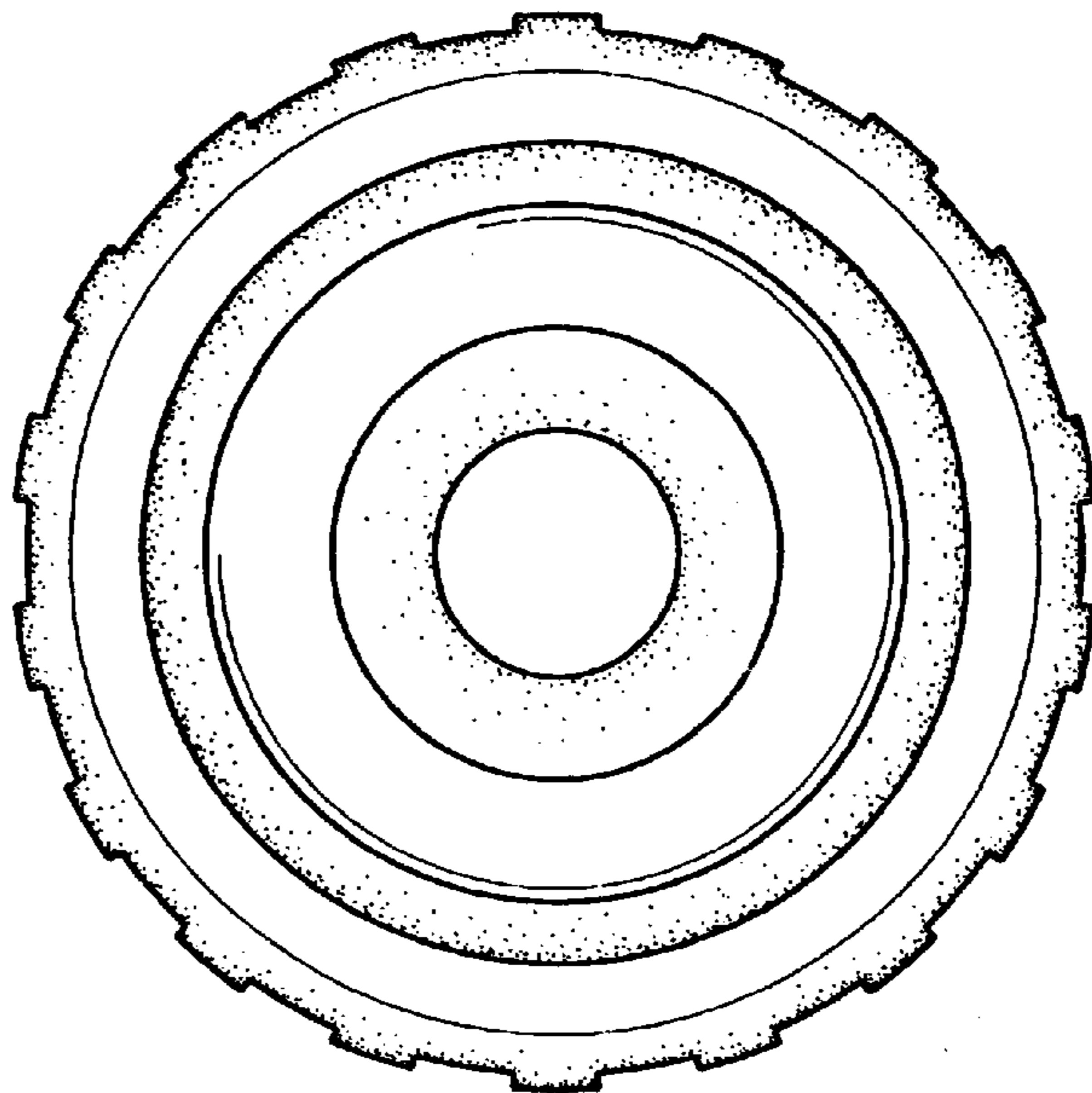


FIG. 7

UNITED STATES PATENT AND TRADEMARK OFFICE
CERTIFICATE OF CORRECTION

PATENT NO. : Des 438,603 S
DATED : March 6, 2001
INVENTOR(S) : Chao, Hui-Chen

Page 1 of 6

It is certified that error appears in the above-identified patent and that said Letters Patent is hereby corrected as shown below:

Title page, showing an illustrative Figure, should be deleted, and substitute therefore the attached title page.

Drawings sheets 1- 4 should be deleted and substitute therefore, sheets 1- 4 consisting of Figs. 1-7.

Signed and Sealed this

Fifth Day of February, 2002

Attest:



Attesting Officer

JAMES E. ROGAN
Director of the United States Patent and Trademark Office

(12) **United States Design Patent** (10) **Patent No.:** **US D438,603 S**
Chao (45) **Date of Patent:** **** Mar. 6, 2001**

(54) **WATER PIPE CONNECTOR**

3,413,017 * 11/1968 Hughey 285/148.22
 5,152,554 * 10/1992 LaFleur et al. 285/34
 5,901,887 * 5/1999 Wark 285/148.22

(76) **Inventor:** **Hui-Chen Chao, 75.Liau Tsuo**
Hsiang,Liau Tsuo Li, Lu Kang Chen,
Chang Hua Hsien (TW)

* cited by examiner

(**) **Term:** **14 Years**

Primary Examiner—Robin V. Taylor
Assistant Examiner—Reid Hecker
(74) Attorney, Agent, or Firm—Harrison & Egbert

(21) **Appl. No.:** **29/122,530**

(22) **Filed:** **Apr. 28, 2000**

(57) CLAIM

(51) **LOC (7) Cl.** **23-01**

The ornamental design for a water pipe connector, as shown and described.

(52) **U.S. Cl.** **D23/262**

DESCRIPTION

(58) **Field of Search** **D23/259, 262,**
D23/223; D24/129; 285/8, 34, 35, 144.1,
145.2, 145.3, 146.1, 148.1, 148.15, 148.22,
153.1, 238, 261, 272, 275, 314, 347, 376,
390

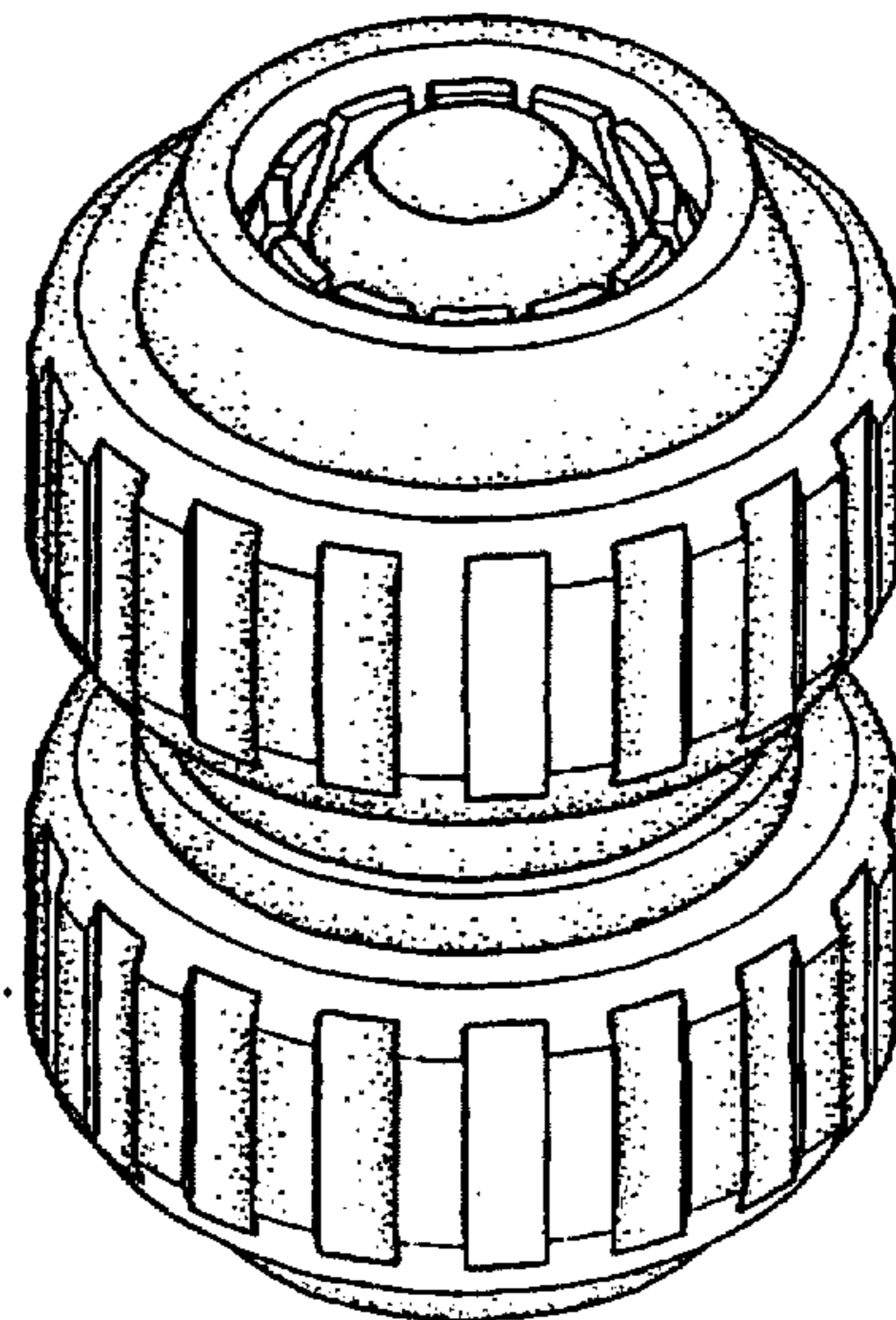
FIG. 1 is an upper perspective view of the water pipe connector showing my design.
FIG. 2 is a front view thereof;
FIG. 3 is a back view thereof;
FIG. 4 is a side view thereof;
FIG. 5 is an opposite side view thereof;
FIG. 6 is a top view thereof; and,
FIG. 7 is a bottom view thereof.

(56) **References Cited**

U.S. PATENT DOCUMENTS

D. 408,889 * 4/1999 Hui-Chen D23/223
 D. 432,262 * 10/2000 Chao D23/233
 3,376,053 * 4/1968 Novakovich et al. 285/347

1 Claim, 4 Drawing Sheets



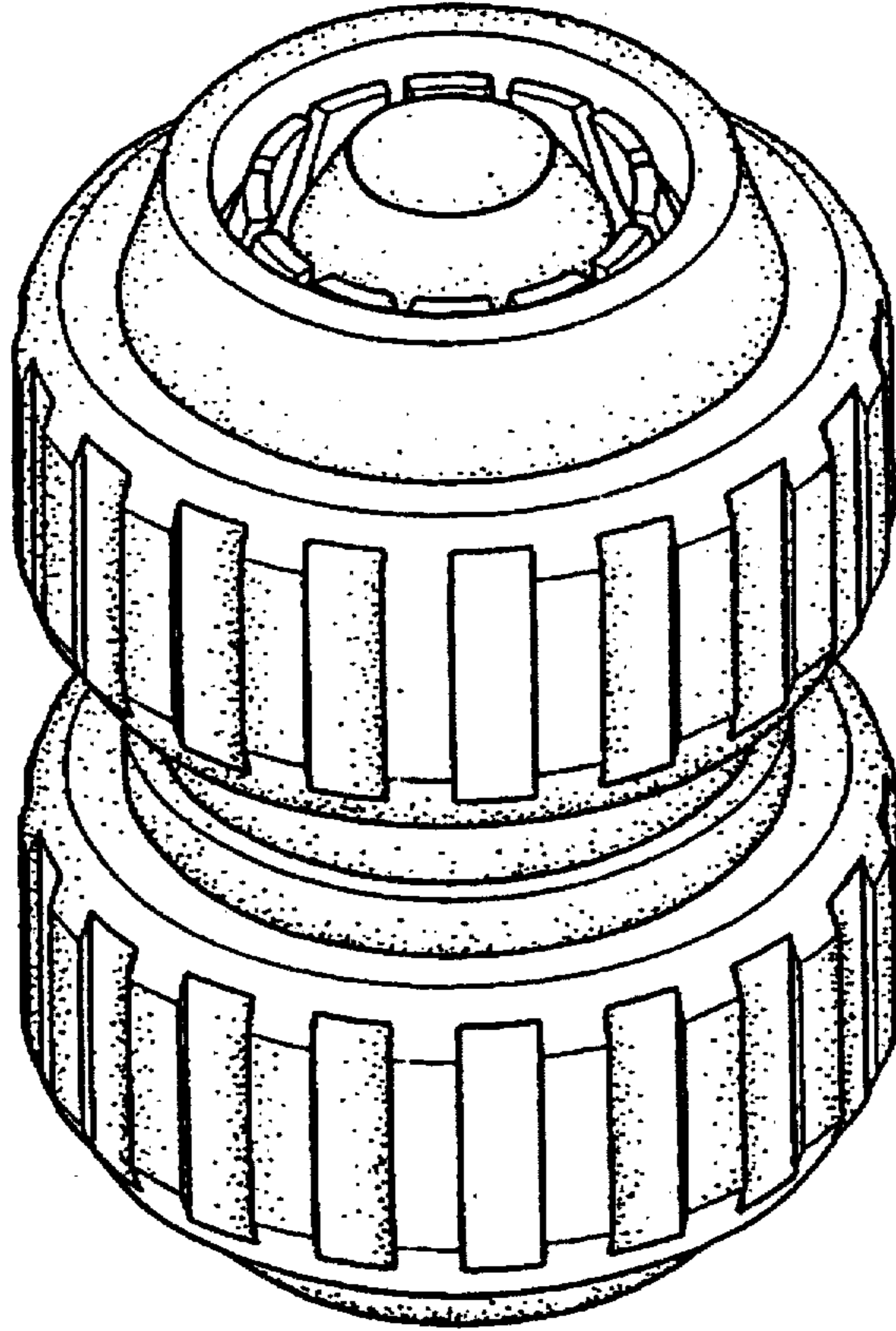


FIG.1

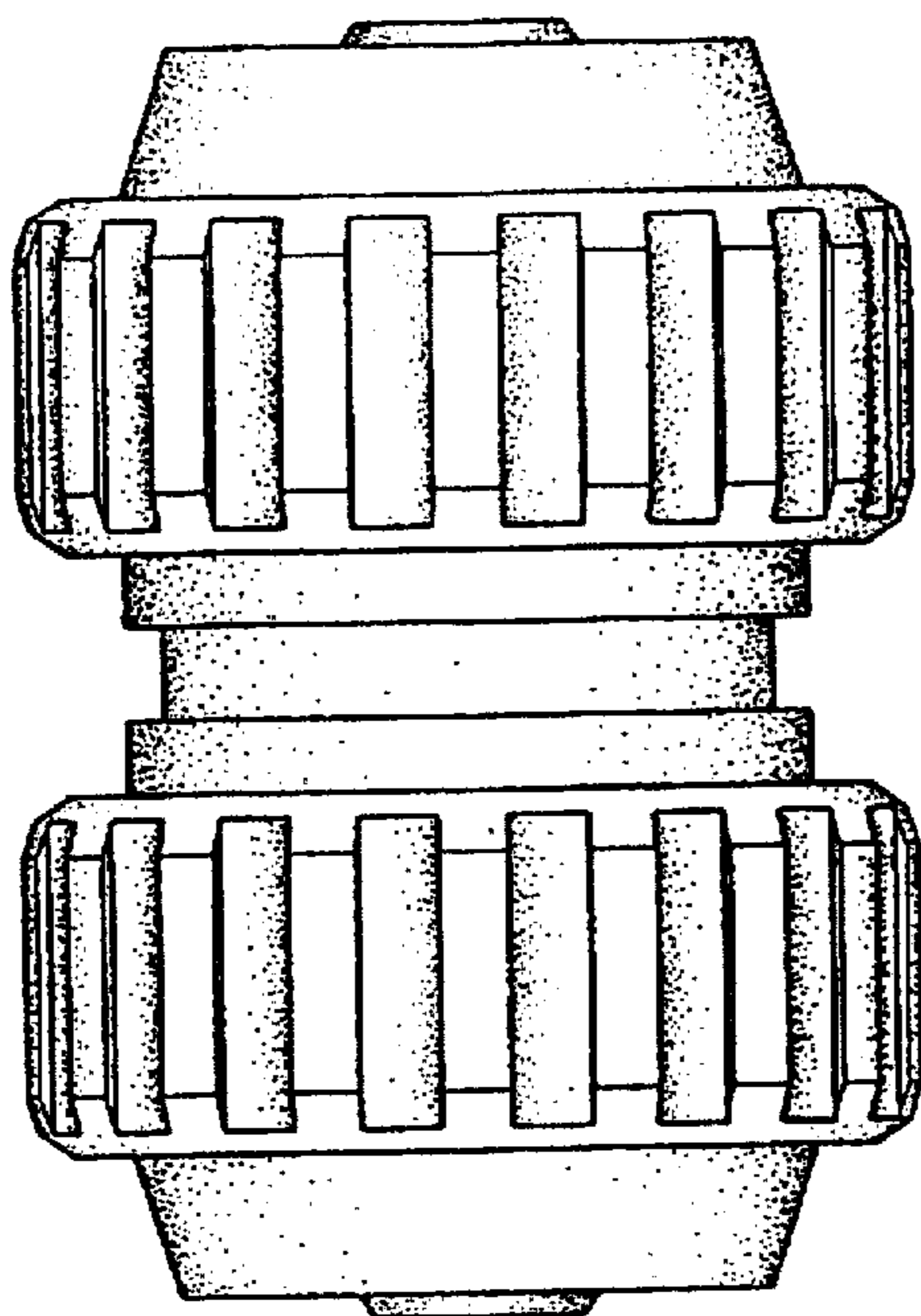


FIG. 2

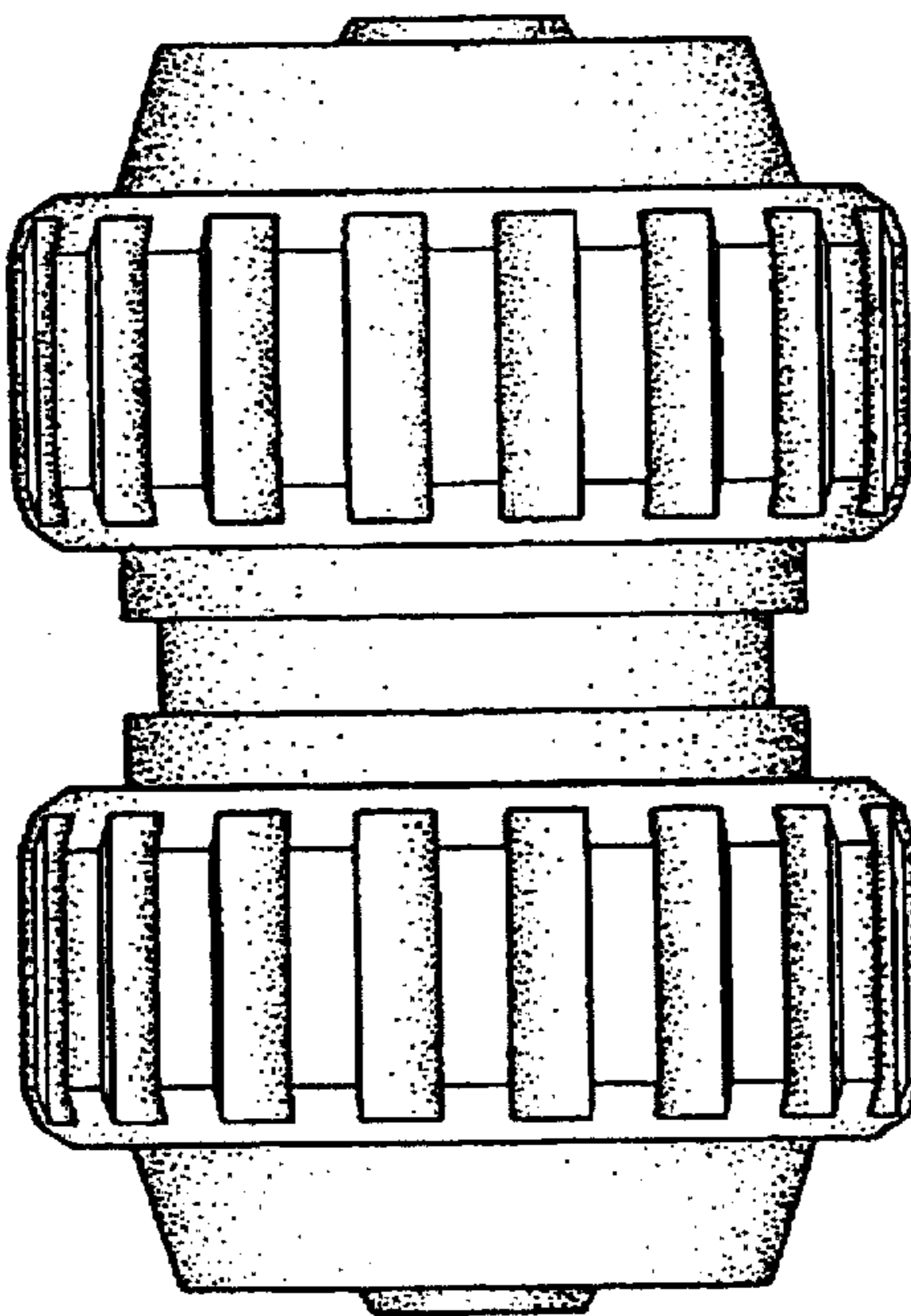


FIG. 3

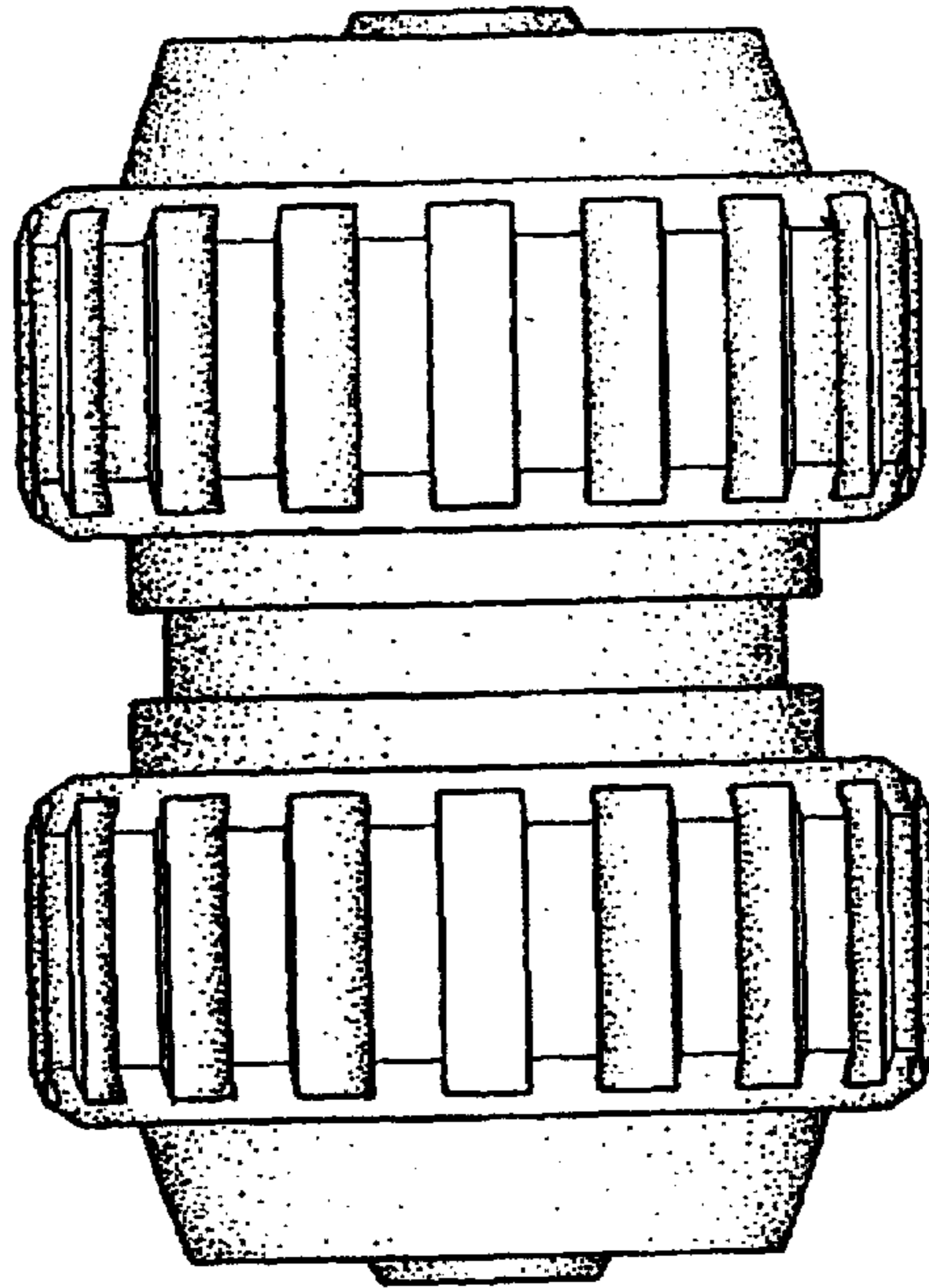


FIG. 4

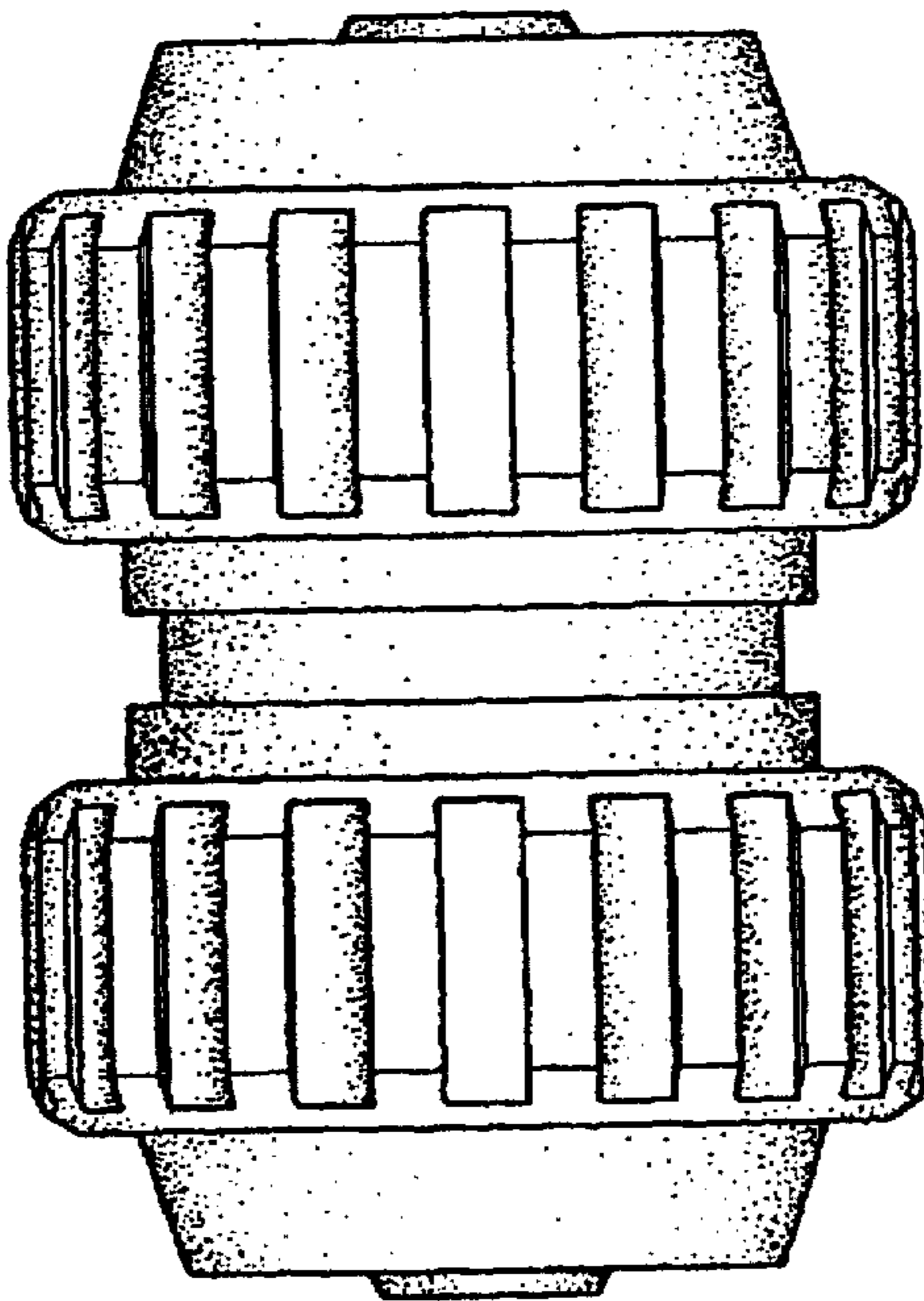


FIG. 5

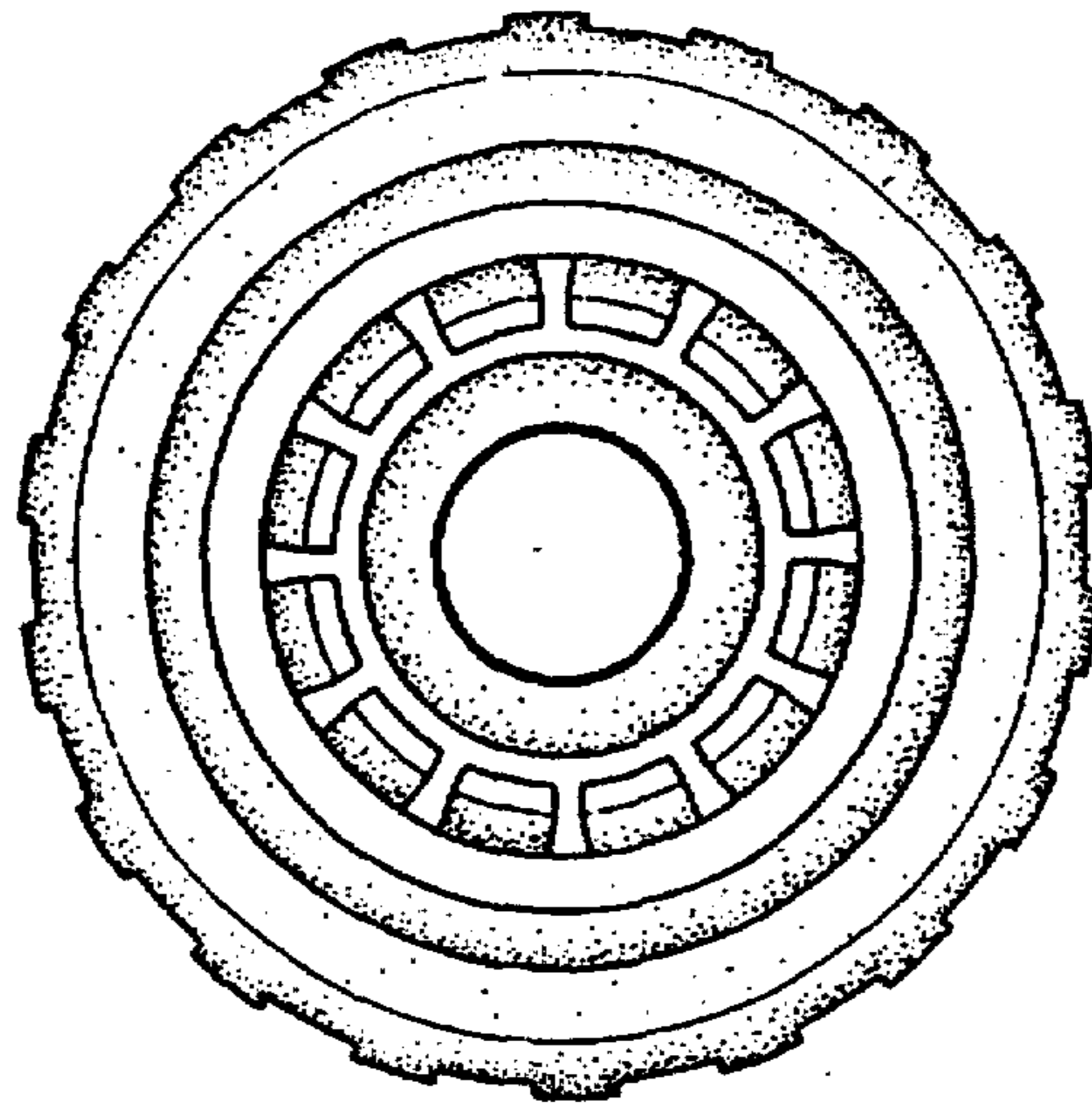


FIG. 6

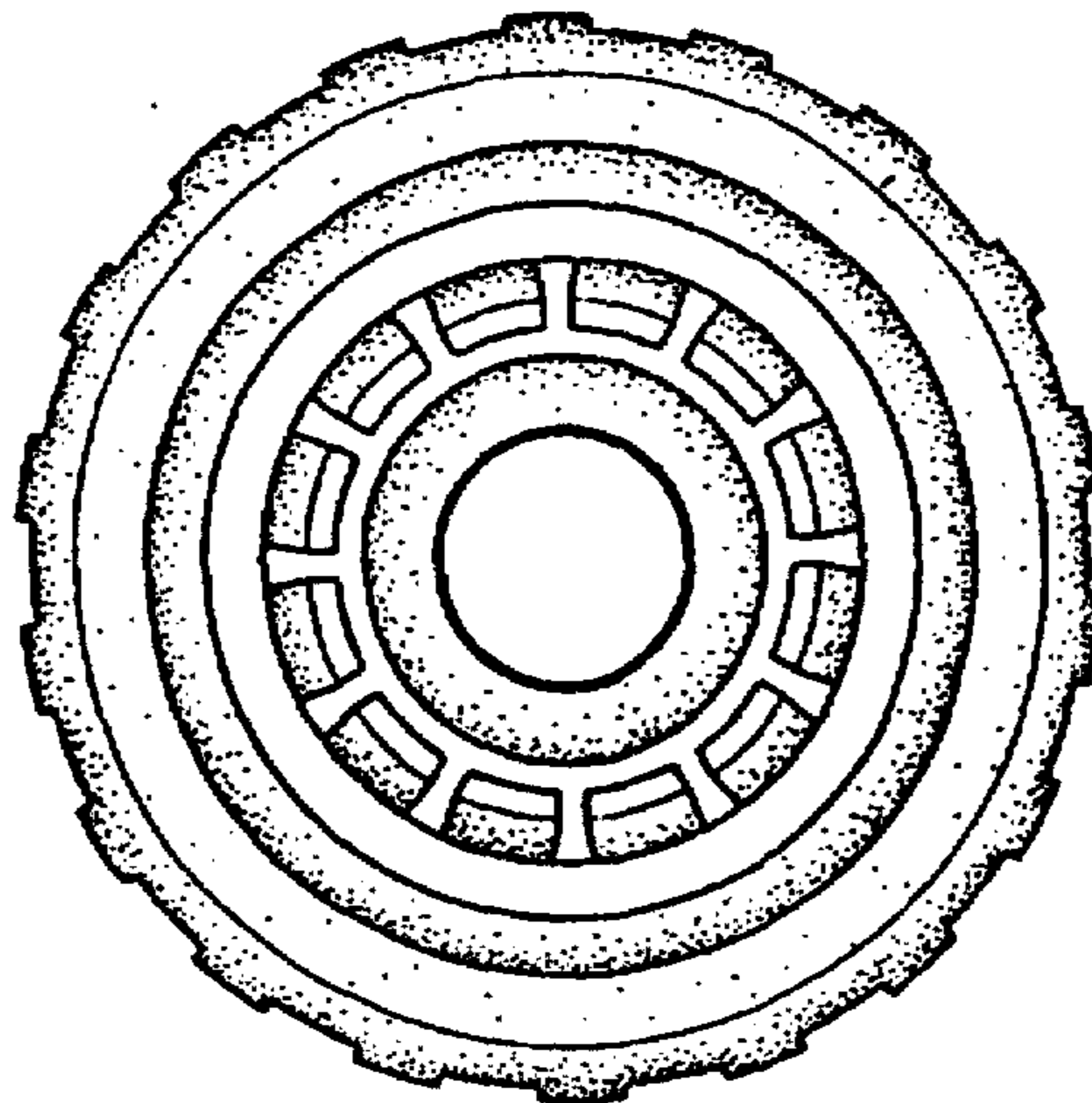


FIG. 7