



US00D438601S

(12) **United States Design Patent** (10) **Patent No.:** **US D438,601 S**
Caplow (45) **Date of Patent:** **** Mar. 6, 2001**

(54) **HANDLE**

(75) Inventor: **Bradley R. Caplow**, Sherman Oaks, CA (US)

(73) Assignee: **Kallista, Inc.**, Kohler, WI (US)

(**) Term: **14 Years**

(21) Appl. No.: **29/103,073**

(22) Filed: **Apr. 7, 1999**

(51) **LOC (7) Cl.** **23-01**

(52) **U.S. Cl.** **D23/252**

(58) **Field of Search** D23/238-243,
D23/250-257; D8/300-310; 16/112-121;
4/675-678

(56) **References Cited**

U.S. PATENT DOCUMENTS

D. 318,714	*	7/1991	Spangler	D23/250
D. 321,630	*	11/1991	Hollinger	D7/679
D. 325,958	*	5/1992	Stairs, Jr. et al.	D23/250
D. 327,531	*	6/1992	Ko	D23/250
D. 372,299	*	7/1996	Fabian	D23/250
D. 404,802	*	1/1999	Delker	D23/252
D. 405,508	*	2/1999	Doughty et al.	D23/252
D. 405,509	*	2/1999	Doughty et al.	D23/252

OTHER PUBLICATIONS

1997 Kohler catalog ad, p. 2.10, showing "Finial" cross lever handles.

1989 Kallista ad showing a cross lever handle.

Undated Auburn ad showing a #2001 escutcheon.

* cited by examiner

Primary Examiner—Eric Watterson

(74) *Attorney, Agent, or Firm*—Quarles & Brady LLP

(57) **CLAIM**

The ornamental design for a handle, as shown and described.

DESCRIPTION

In a preferred embodiment, the nature of this product is as a plumbing handle primarily useful for controlling a rotatable valve stem.

FIG. 1 is a left, top, front perspective view of a handle embodying my new design;

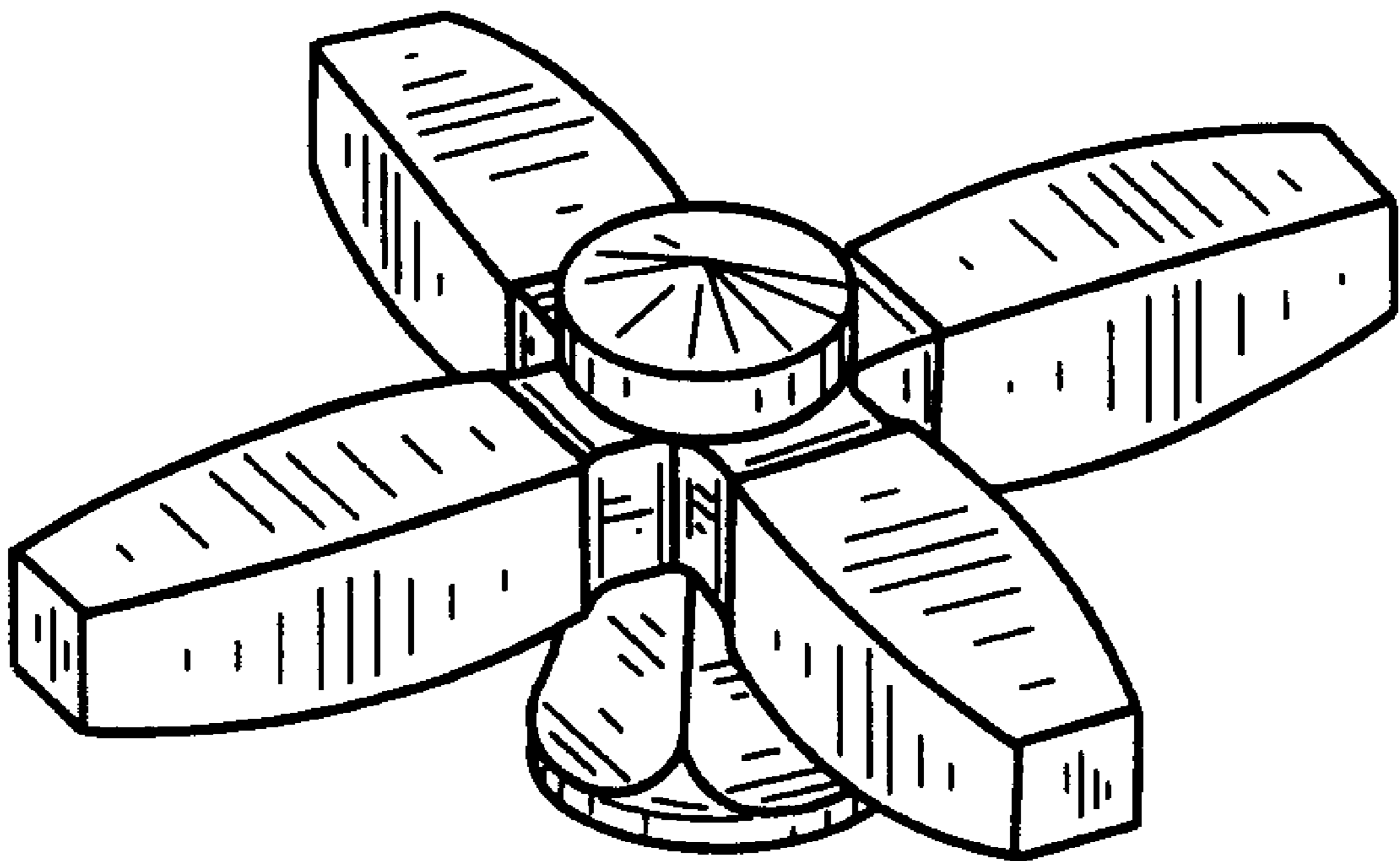
FIG. 2 is a front elevational view thereof, the right side, left side, and rear elevational views being identical to the front elevational view shown;

FIG. 3 is a top plan view thereof; and,

FIG. 4 is a bottom plan view thereof.

The broken line representation of a hole in FIG. 4 is for the purpose of illustration only, and forms no part of the claimed design.

1 Claim, 1 Drawing Sheet



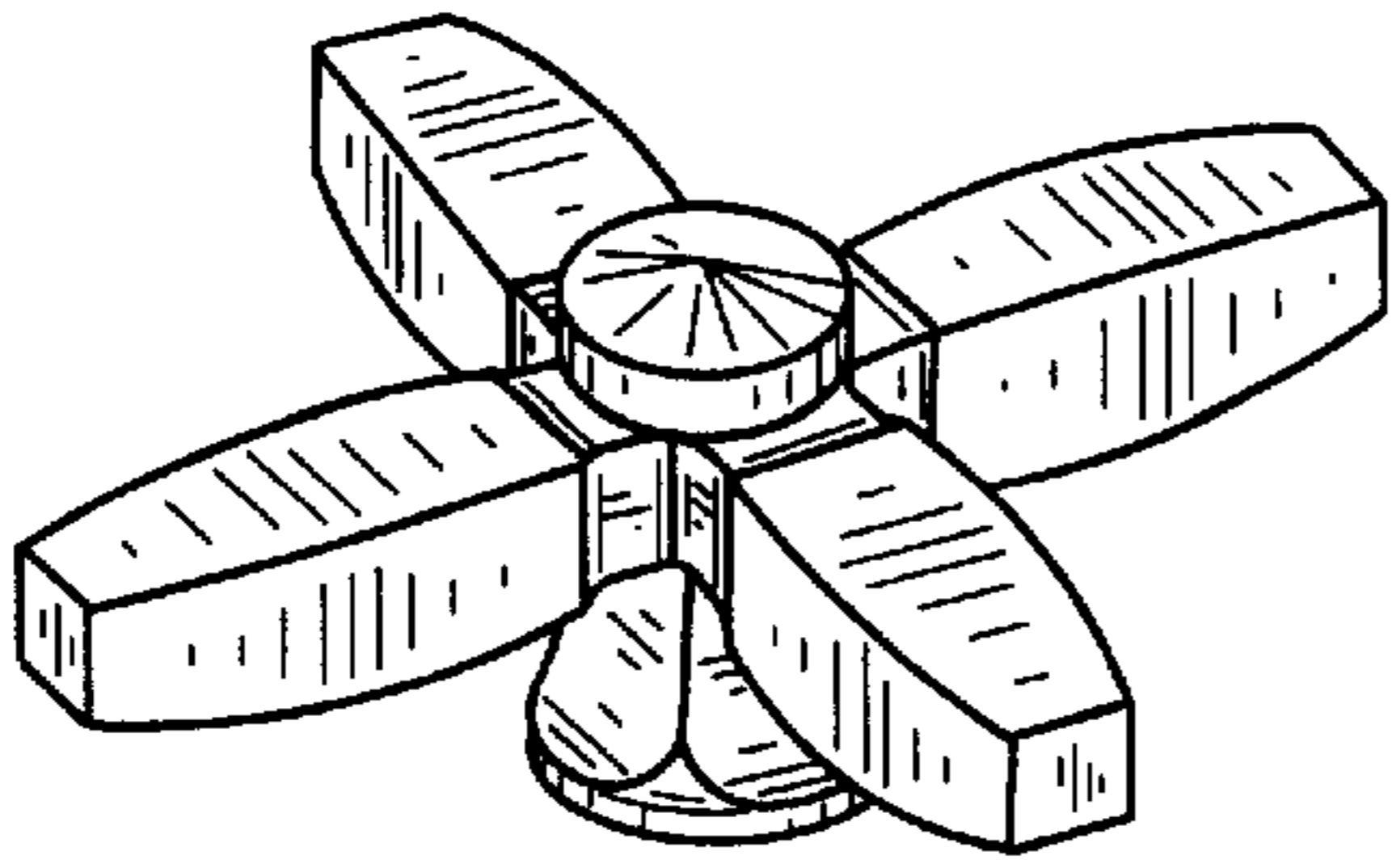


FIG. 1

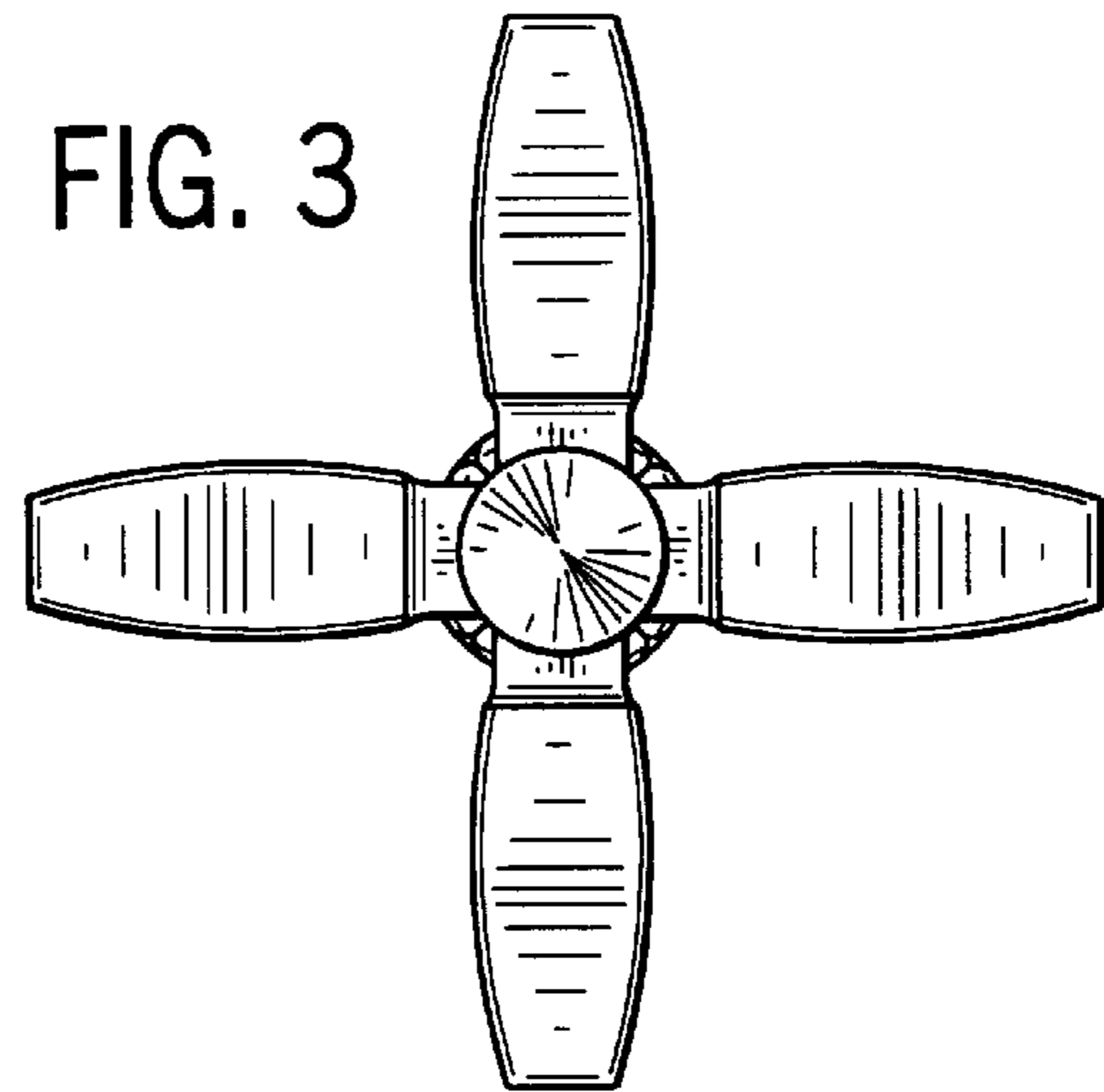


FIG. 3

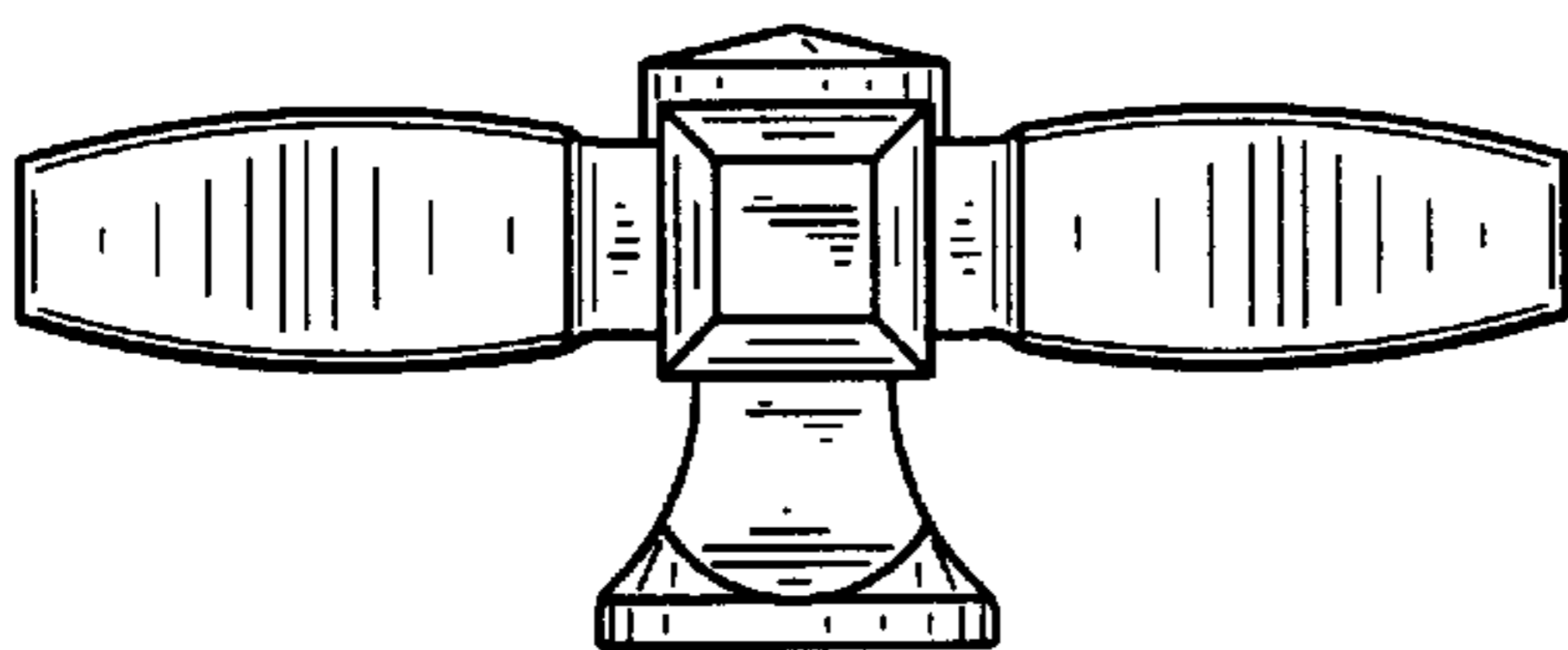


FIG. 2

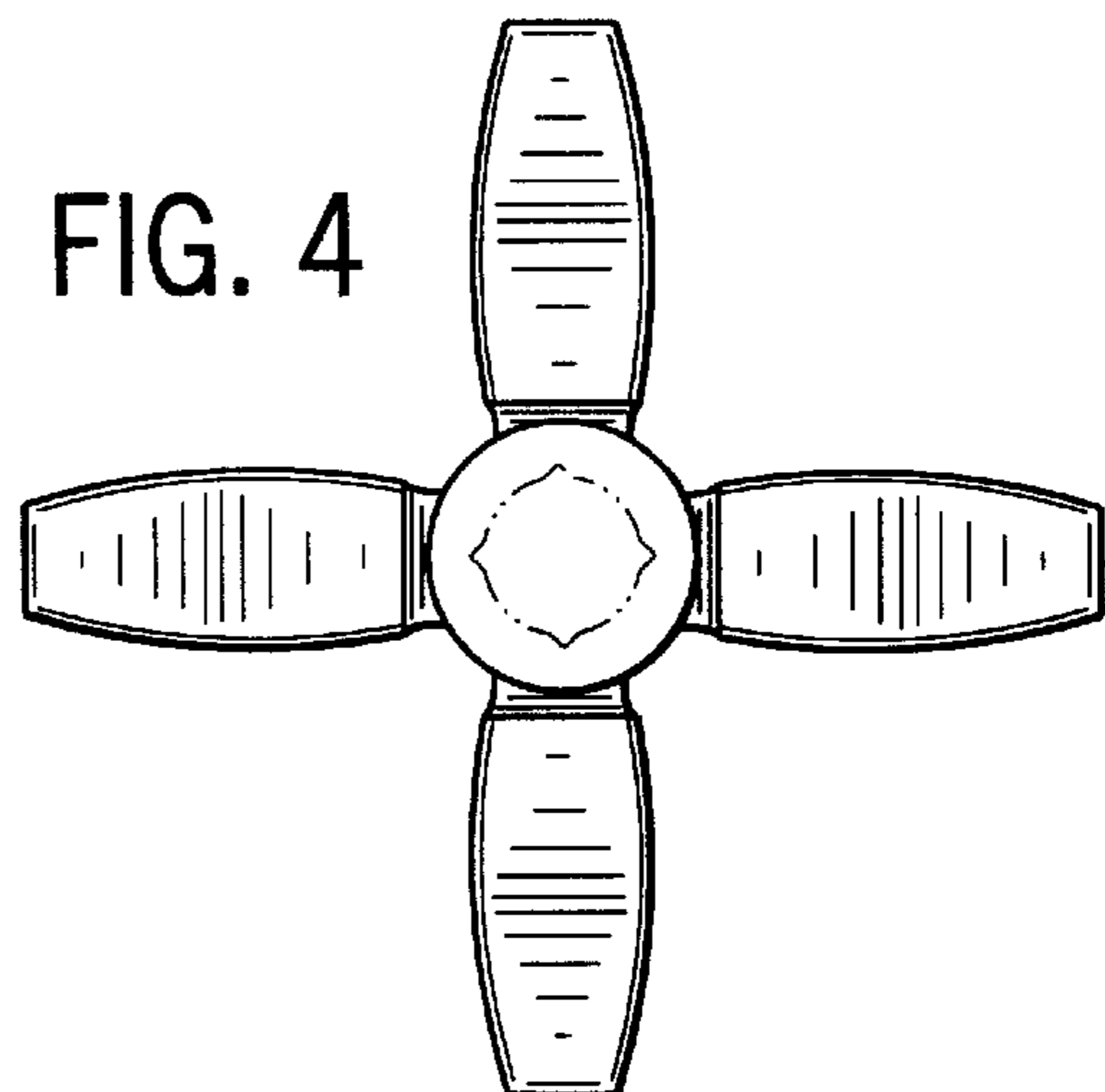


FIG. 4