



US00D438598S

(12) **United States Design Patent**  
**Fleischmann**

(10) **Patent No.:** **US D438,598 S**

(45) **Date of Patent:** **\*\* \*Mar. 6, 2001**

(54) **SANITARY FAUCET**

D. 409,284 \* 5/1999 Gottwald ..... D23/238  
D. 424,170 \* 4/1999 Fleischmann ..... D23/238

(75) Inventor: **Klaus Fleischmann**, Krefeld (DE)

\* cited by examiner

(73) Assignee: **Hansa Metallwerke AG** (DE)

*Primary Examiner*—Louis S. Zarfes  
*Assistant Examiner*—Gregory Andoll

(\* ) Notice: This patent is subject to a terminal disclaimer.

(\*\* ) Term: **14 Years**

(57) **CLAIM**

(21) Appl. No.: **29/118,903**

I claim the ornamental design for a sanitary faucet, as shown and described.

(22) Filed: **Feb. 17, 2000**

**DESCRIPTION**

(30) **Foreign Application Priority Data**

Aug. 20, 1999 (DE) ..... 4 99 07 675

FIG. 1 is a left side elevation of a sanitary faucet, which is a mirror-image of the right side, showing of my new design;

(51) **LOC (7) Cl.** ..... **23-01**

FIG. 2 is a front view thereof;

(52) **U.S. Cl.** ..... **D23/238**

FIG. 3 is a rear view thereof;

(58) **Field of Search** ..... D23/238-257;  
D8/300-310; 4/675-678; 137/801

FIG. 4 is a top view thereof;

FIG. 5 is a bottom view thereof; and,

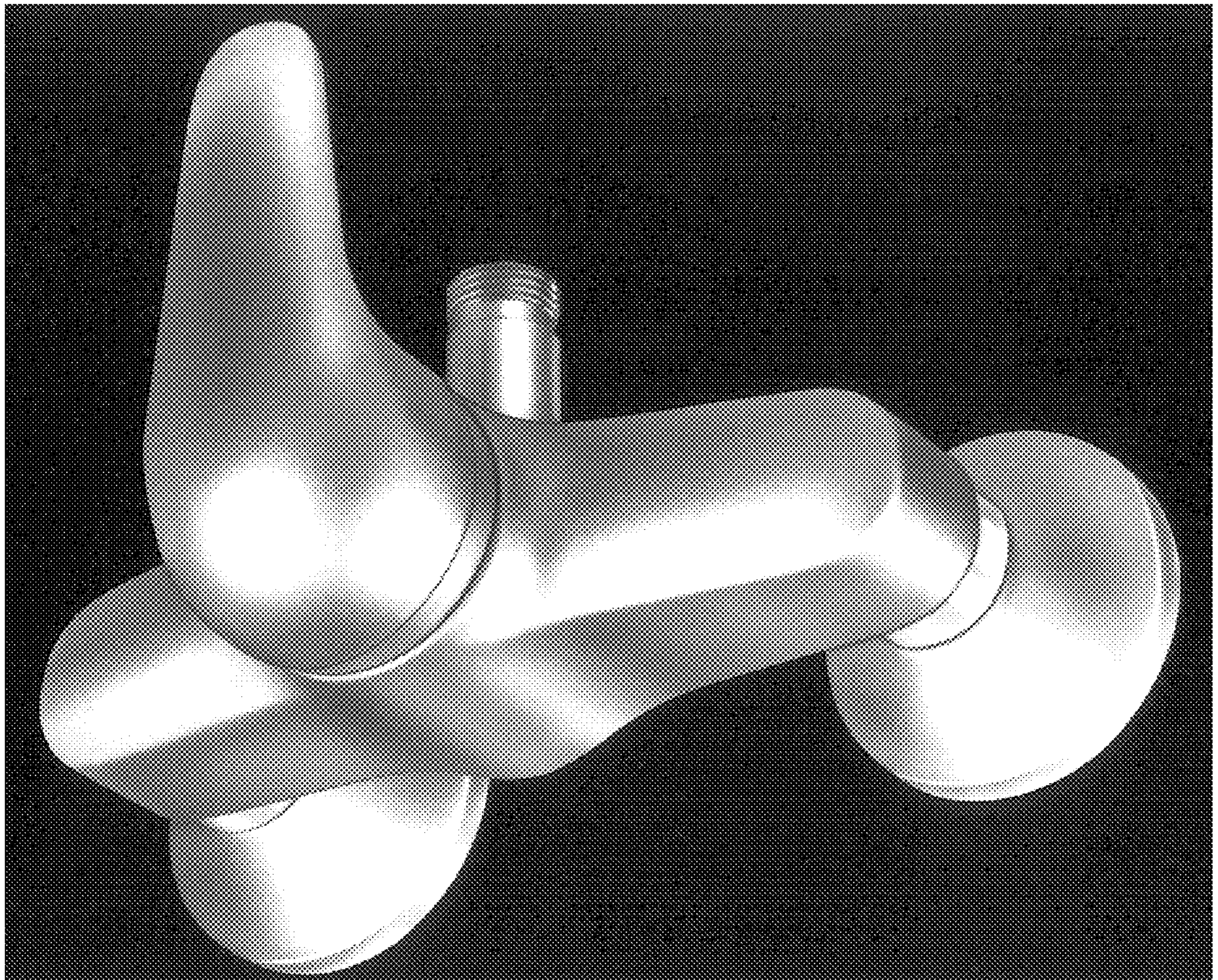
FIG. 6 is a perspective view thereof.

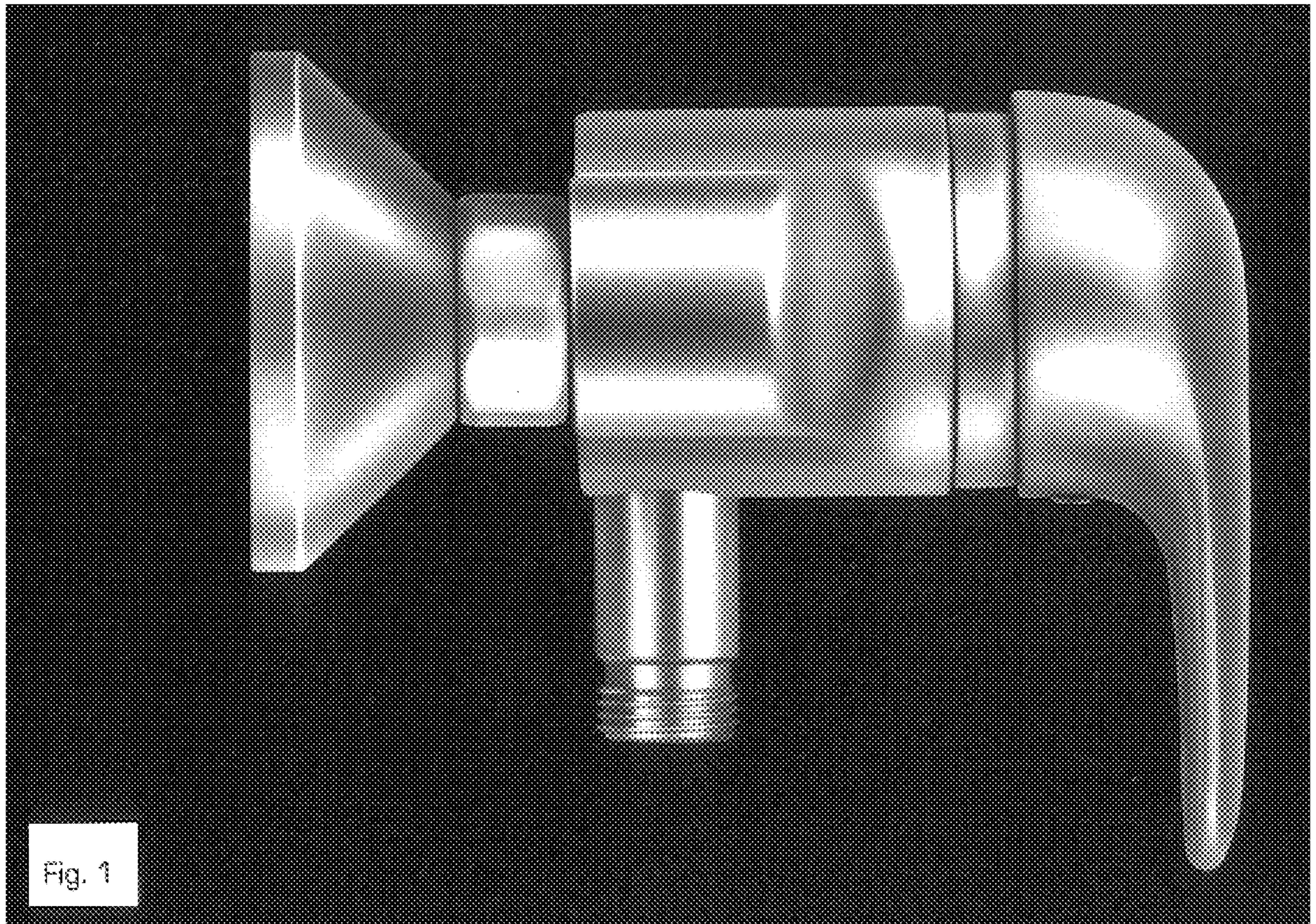
(56) **References Cited**

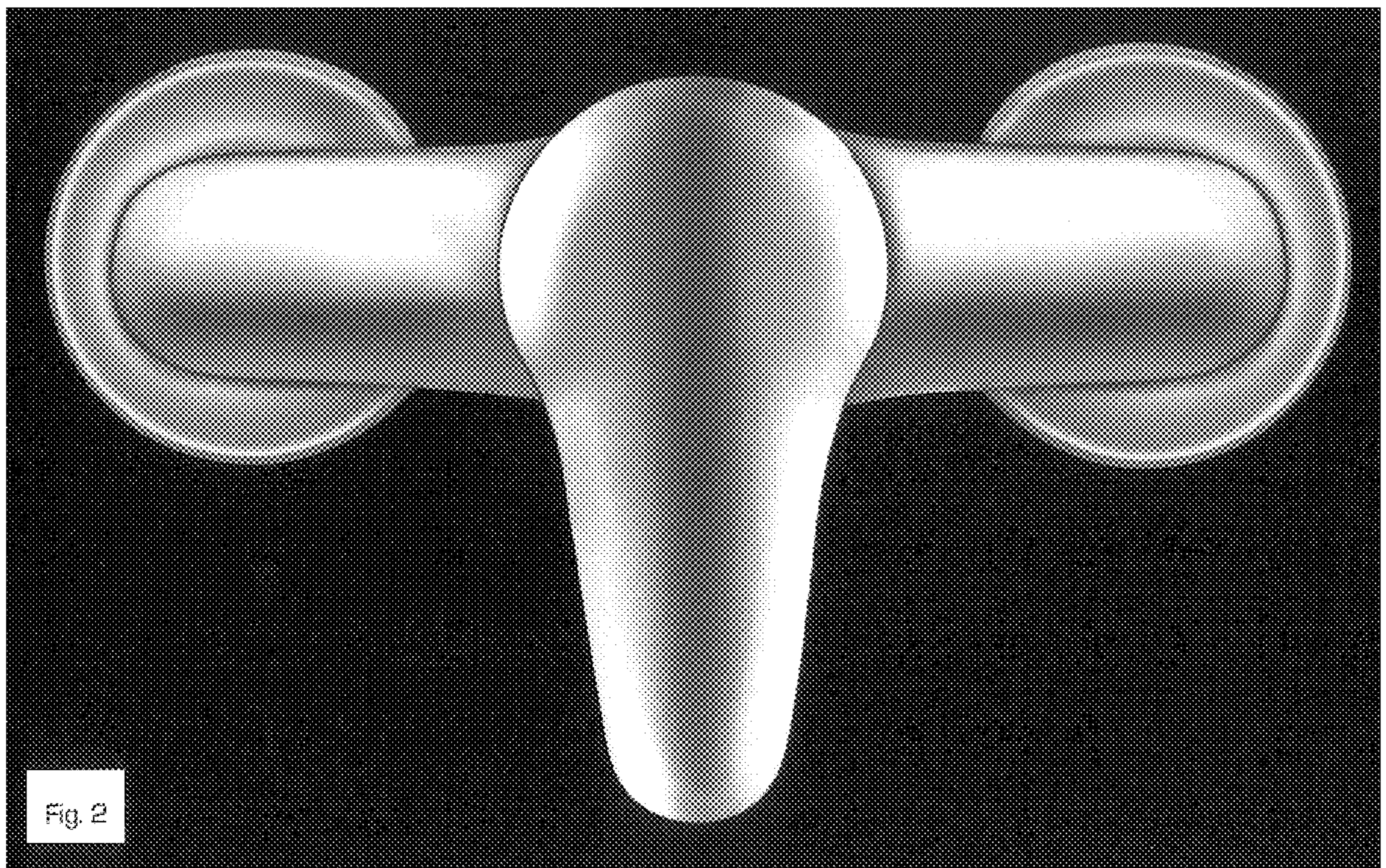
**U.S. PATENT DOCUMENTS**

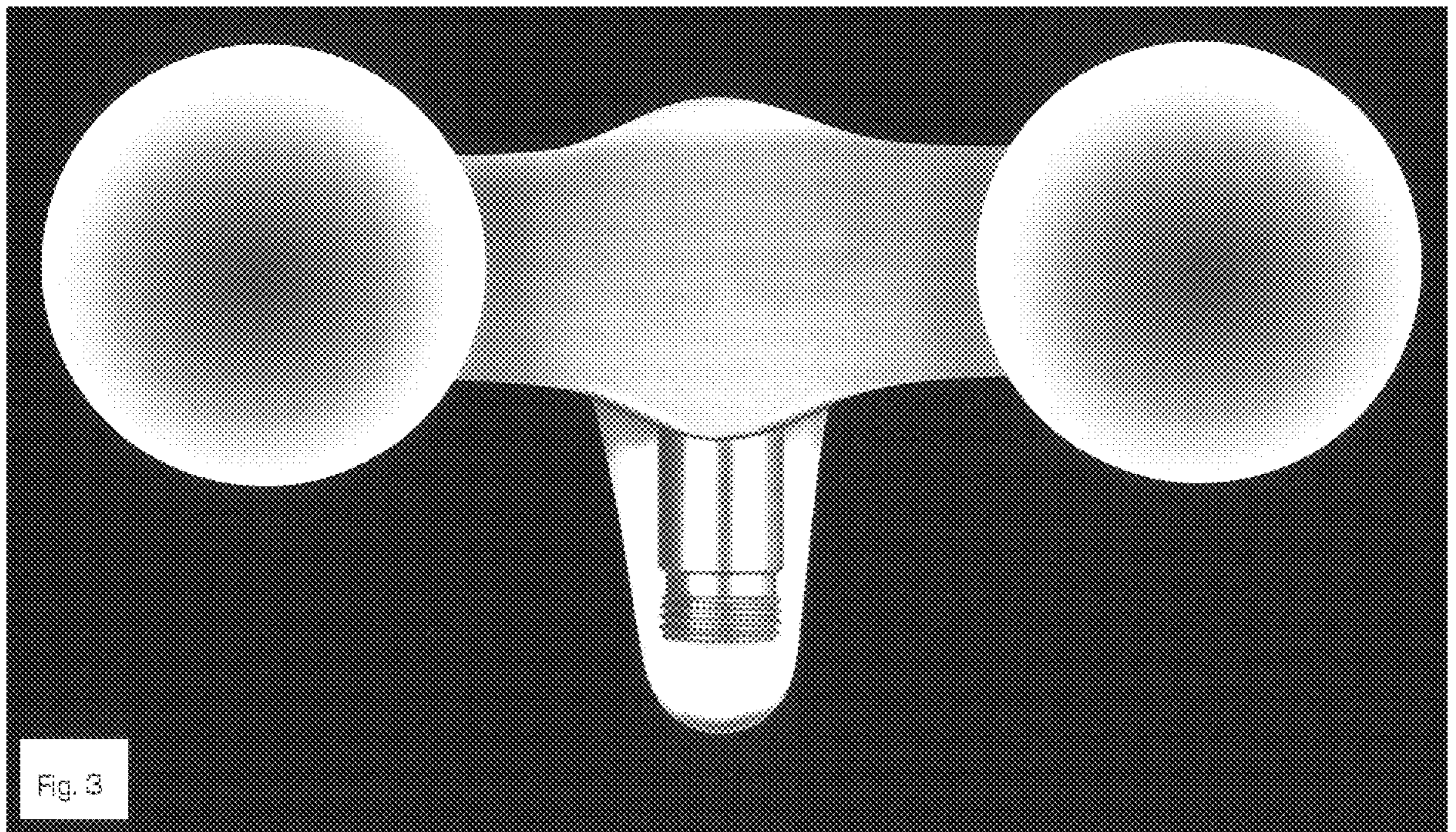
D. 408,502 \* 4/1999 Lobermeier ..... D23/238

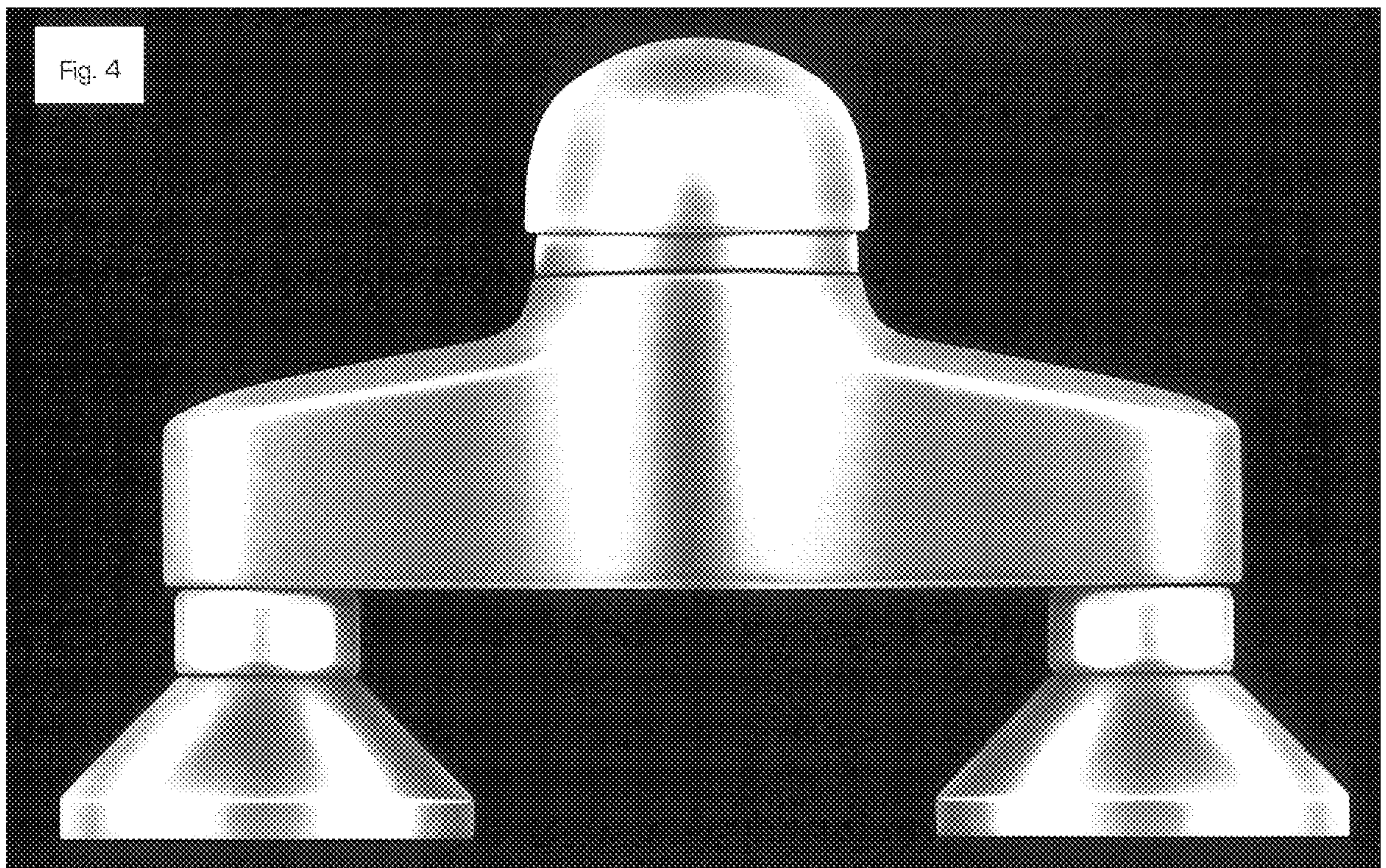
**1 Claim, 6 Drawing Sheets**

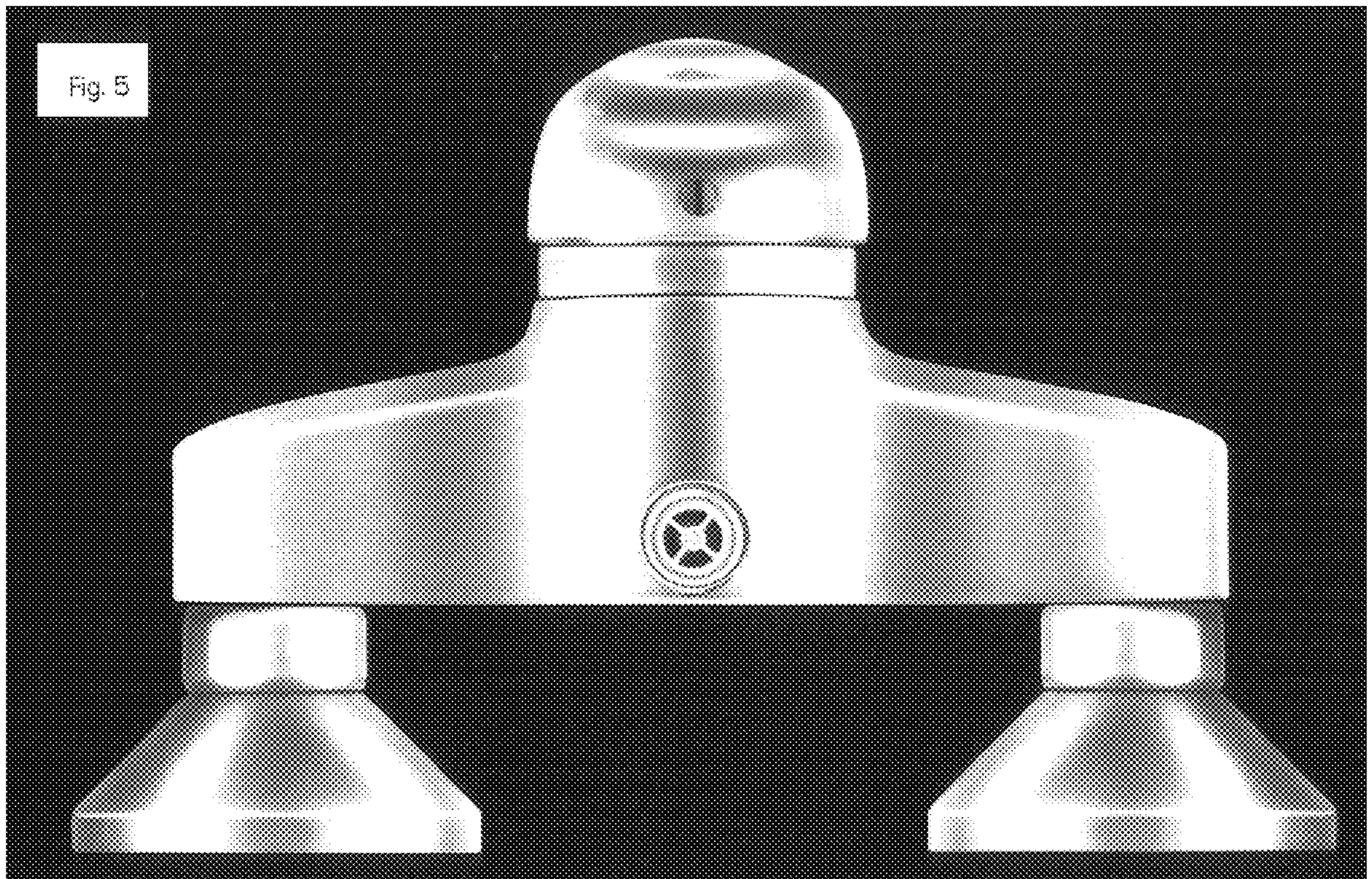












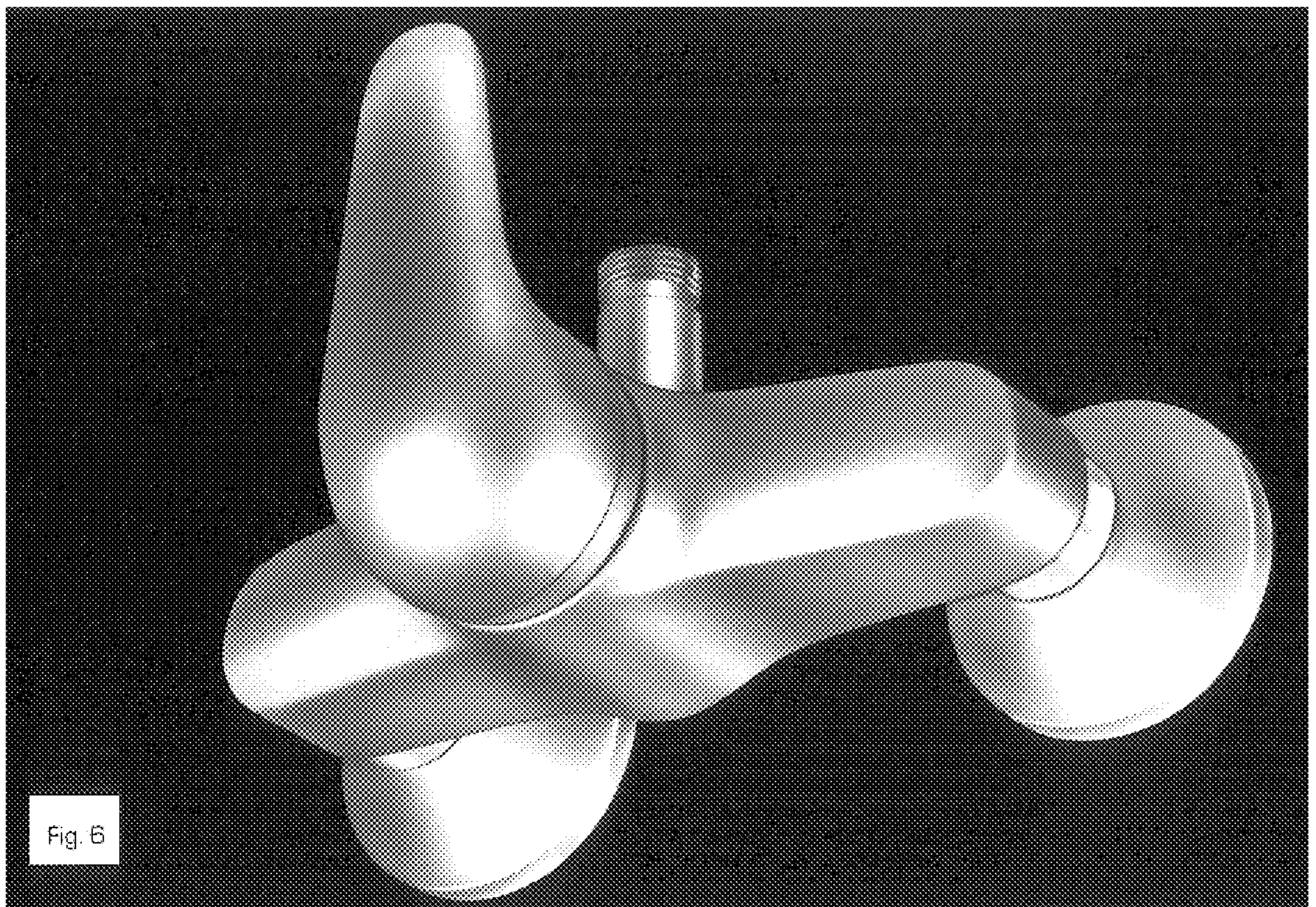


Fig. 6