



US00D438597S

(12) **United States Design Patent**  
**Gottwald et al.**

(10) **Patent No.:** **US D438,597 S**

(45) **Date of Patent:** **\*\* Mar. 6, 2001**

(54) **BATHTUB FAUCET**

(75) Inventors: **Adolf Gottwald**, Iserlohn; **Daniel Müllenmeister**, Havixbeck, both of (DE)

(73) Assignee: **Friedrich Grohe AG**, Hemer (DE)

(\*\*) Term: **14 Years**

(21) Appl. No.: **29/104,875**

(22) Filed: **May 13, 1999**

(30) **Foreign Application Priority Data**

Dec. 18, 1998 (DE) ..... 498 12 216

(51) **LOC (7) Cl.** ..... **23-01**

(52) **U.S. Cl.** ..... **D23/238**

(58) **Field of Search** ..... D23/238-243,  
D23/250-257; 4/675-678; 137/801

(56) **References Cited**

**U.S. PATENT DOCUMENTS**

D. 375,784 \* 11/1996 Gottwald ..... D23/238

D. 390,917	*	2/1998	Kergoet	.....	D23/238
D. 393,051	*	3/1998	Lobermeier	.....	D23/238
D. 409,284	*	5/1999	Gottwald	.....	D23/238
D. 410,068	*	5/1999	Gottwald	.....	D23/238
D. 411,610	*	6/1999	Lobermeier	.....	D23/238

\* cited by examiner

*Primary Examiner*—Eric Watterson

(74) *Attorney, Agent, or Firm*—Herbert Dubno

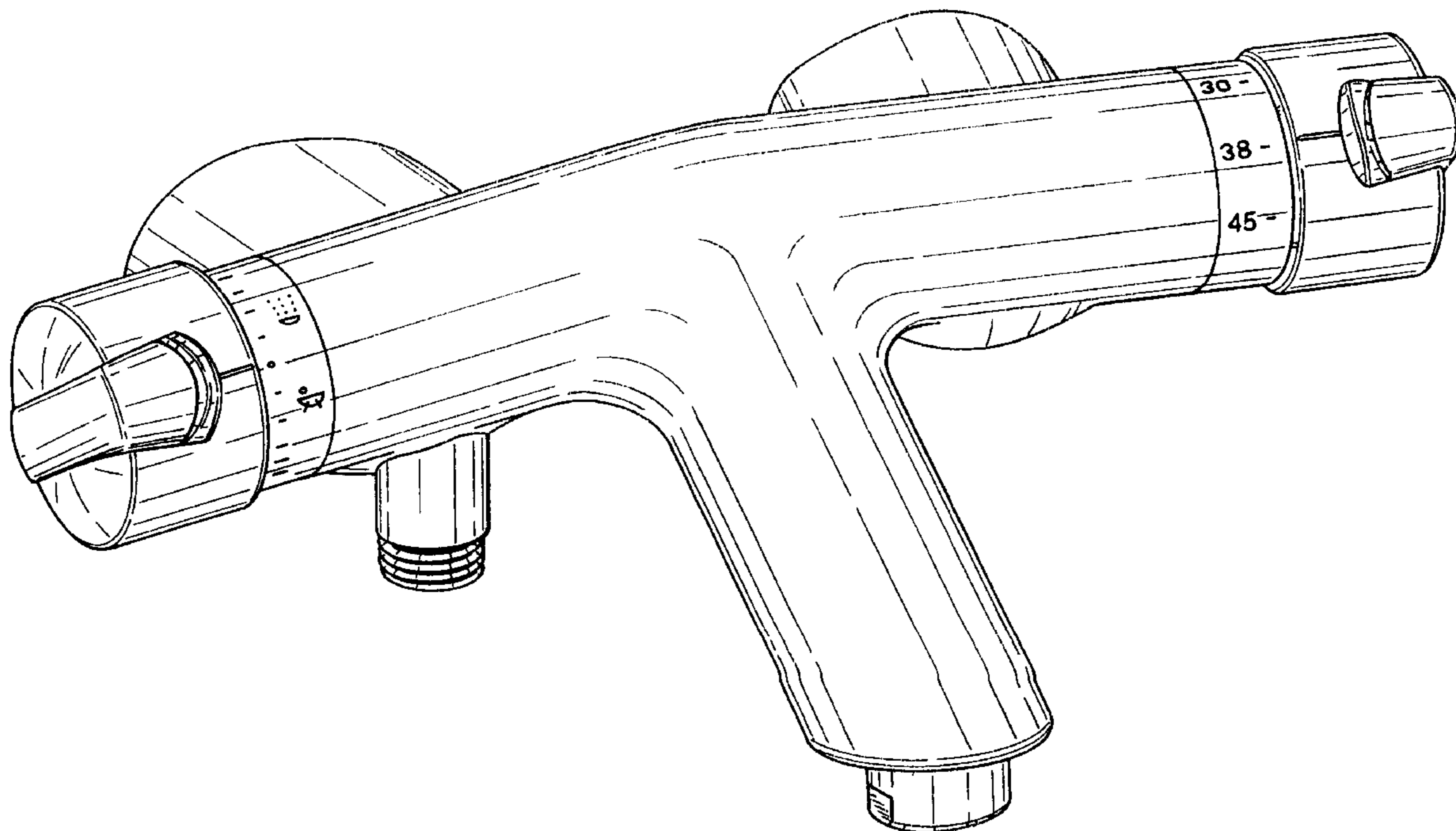
(57) **CLAIM**

The ornamental design for a bathtub faucet, as shown.

**DESCRIPTION**

FIG. 1 is a top, front, left-side perspective view of a bathtub faucet showing my new design;  
FIG. 2 is a top plan view thereof;  
FIG. 3 is a front elevational view thereof;  
FIG. 4 is a bottom plan view thereof;  
FIG. 5 is a right side elevational view thereof;  
FIG. 6 is a left side elevational view thereof; and,  
FIG. 7 is a rear view thereof.

**1 Claim, 6 Drawing Sheets**



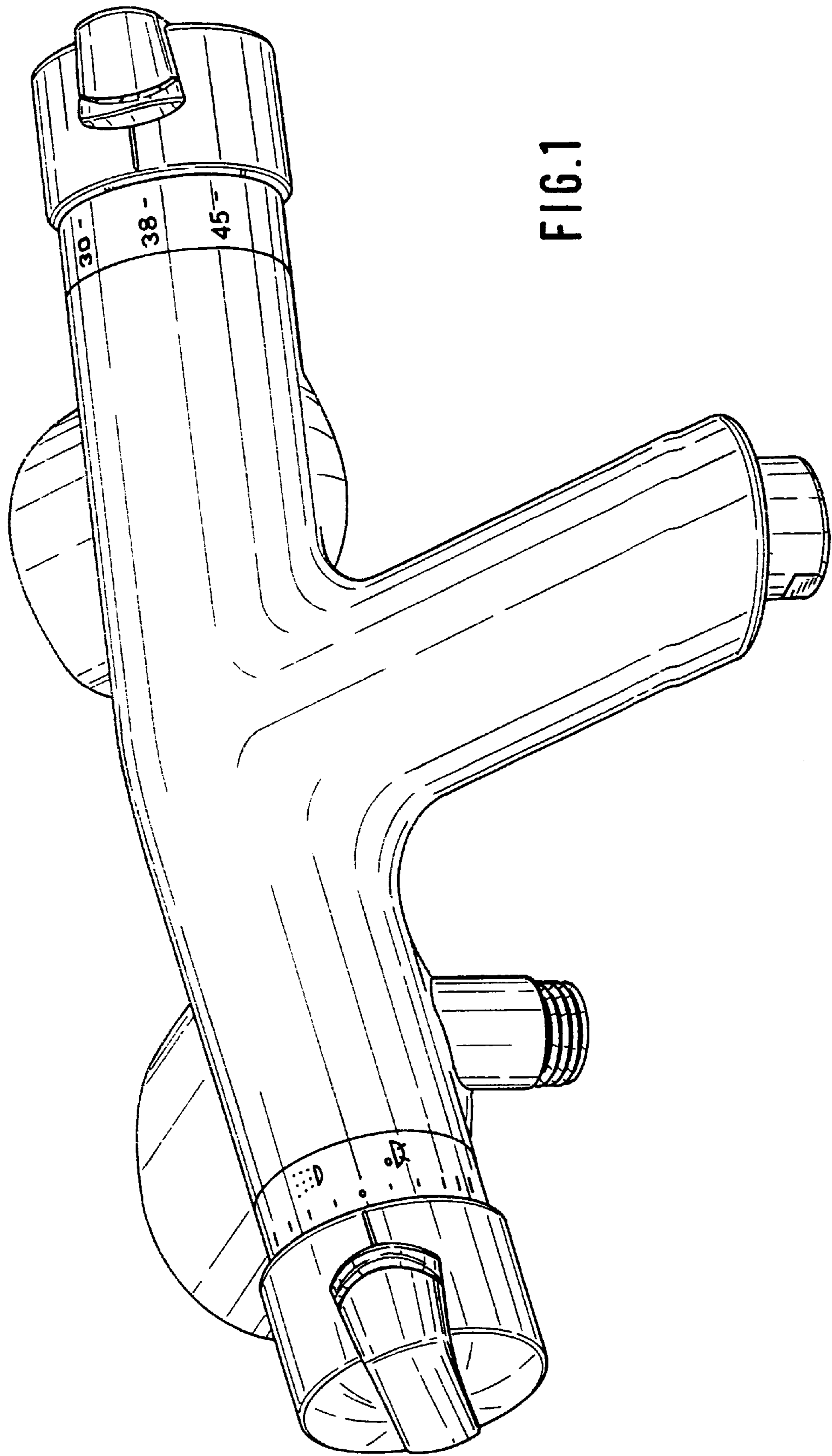


FIG. 1

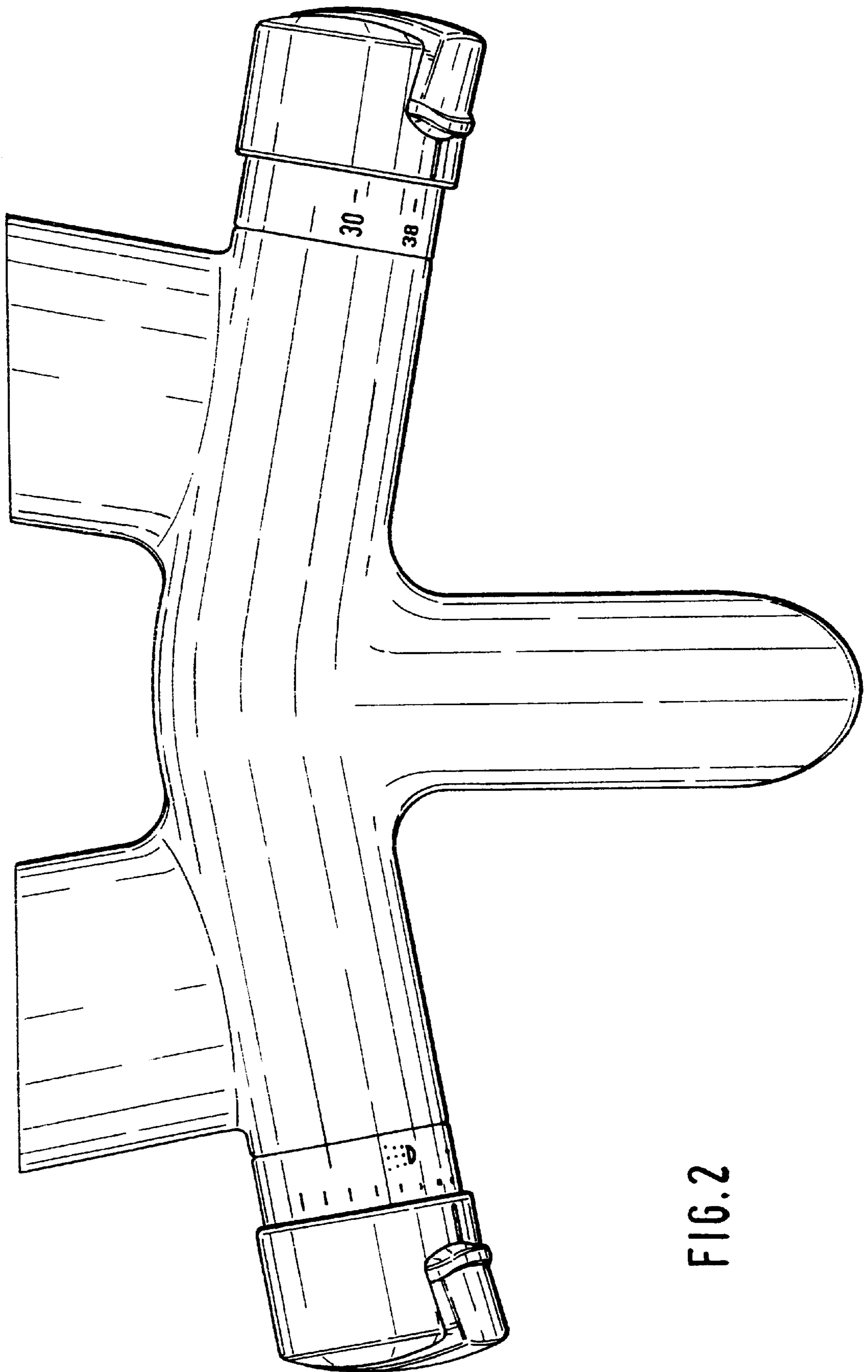


FIG. 2

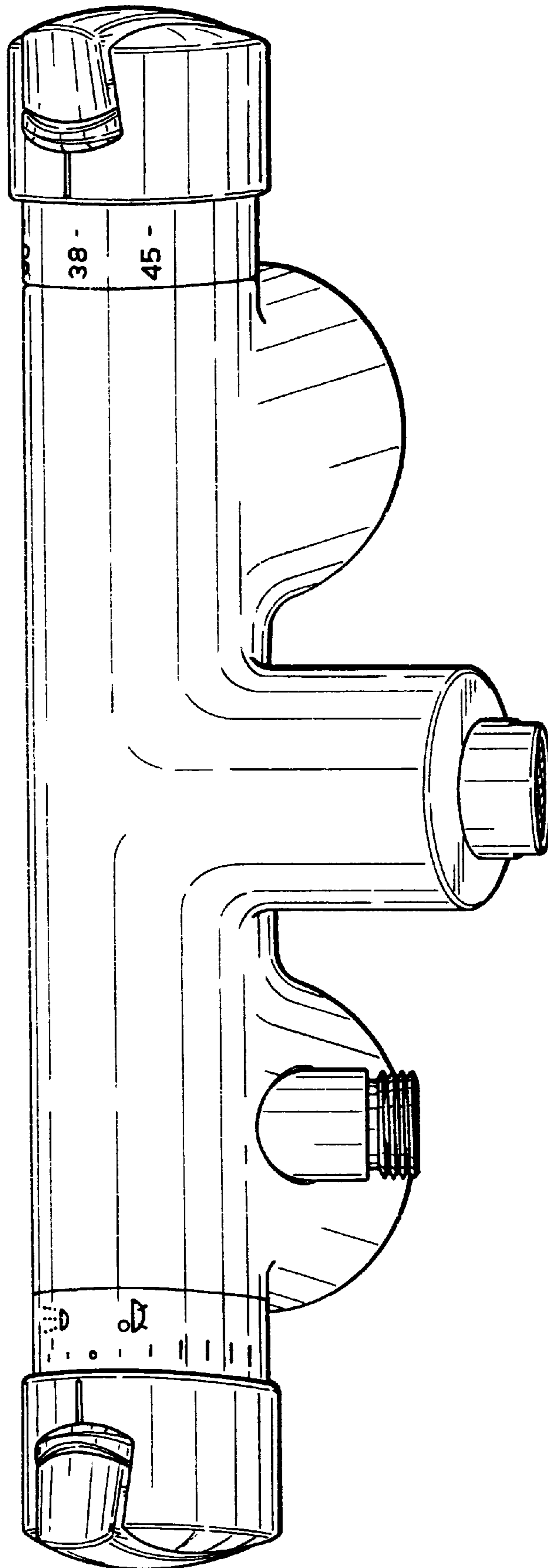


FIG. 3

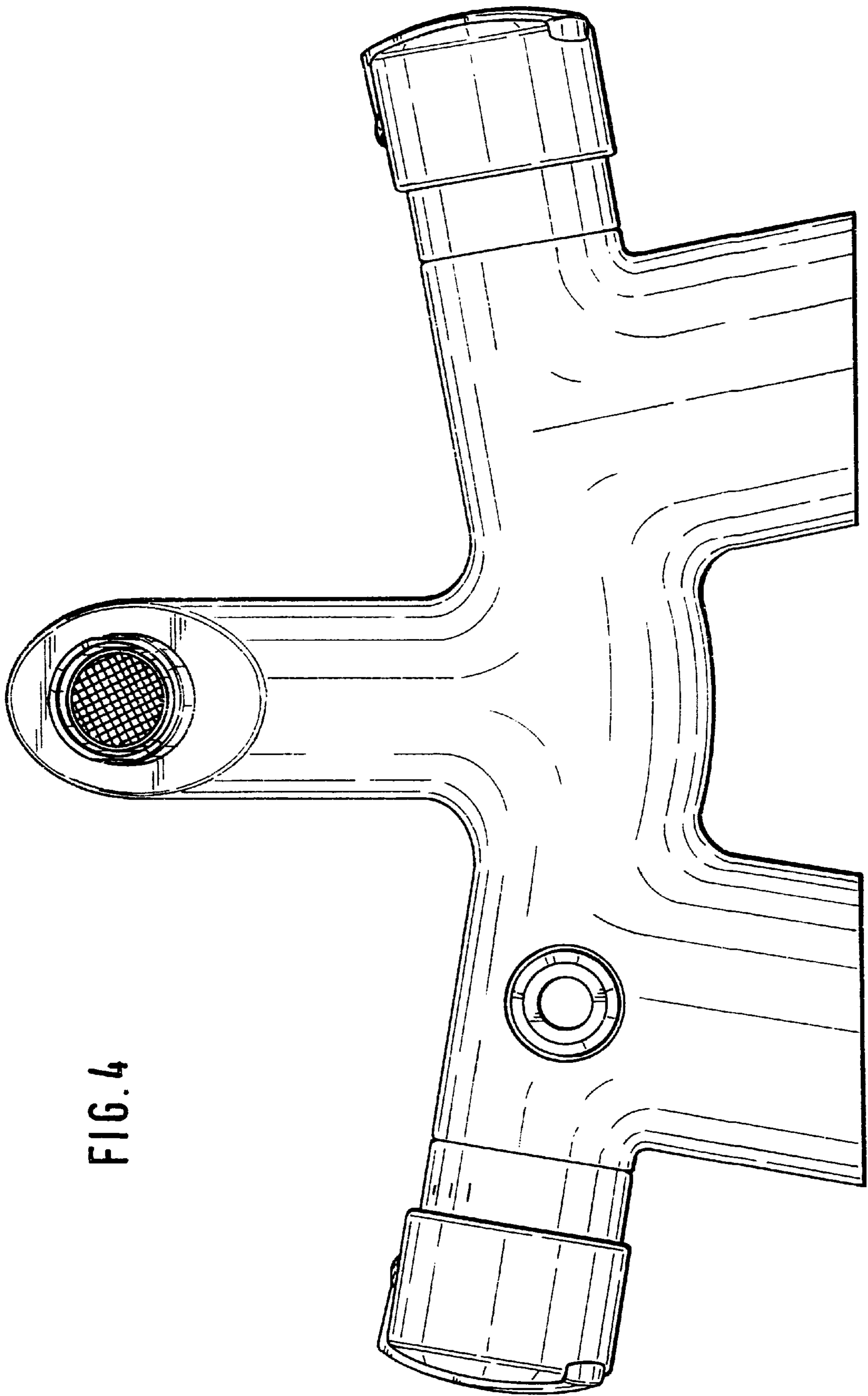


FIG. 4

FIG. 5

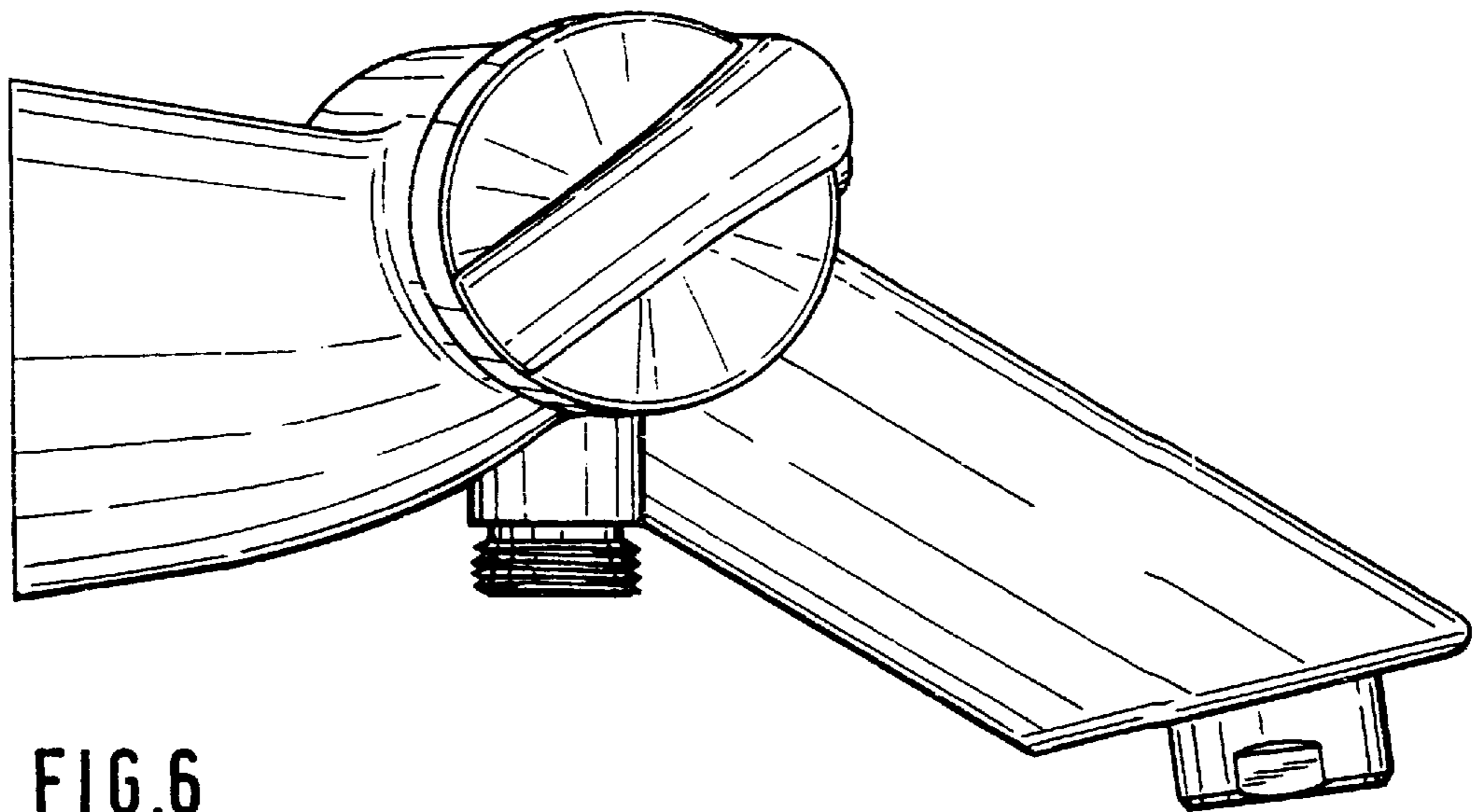
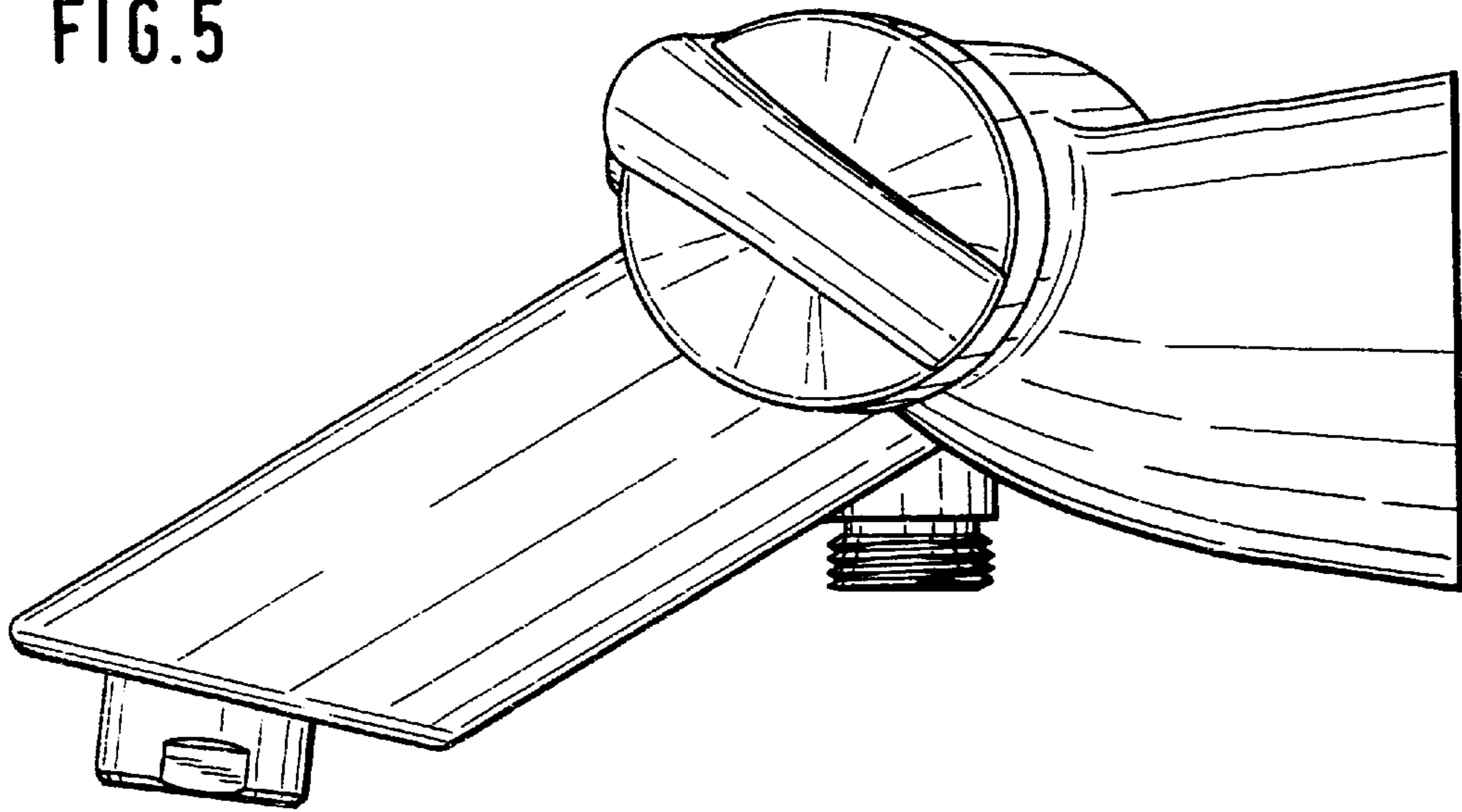


FIG. 6

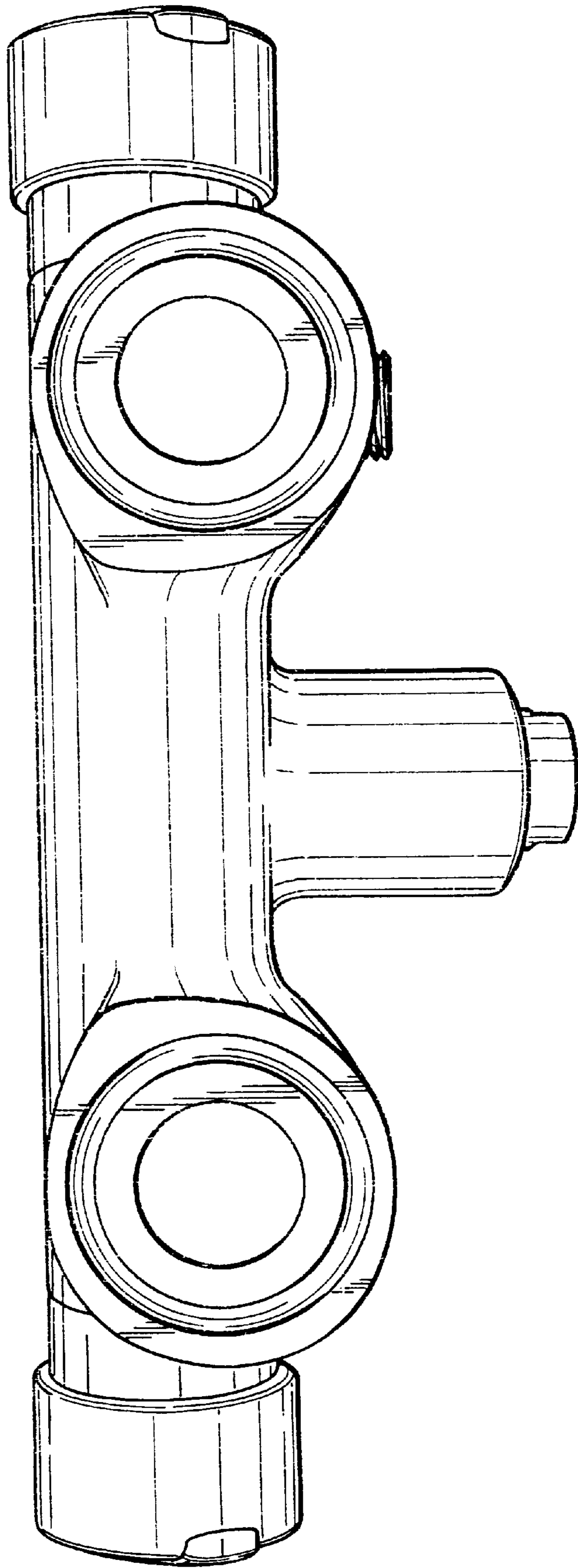


FIG. 7