



US00D438595S

(12) **United States Design Patent**
Ferrer Beltran

(10) **Patent No.:** **US D438,595 S**

(45) **Date of Patent:** **** Mar. 6, 2001**

(54) **VALVE**

(75) **Inventor:** **Jose María Ferrer Beltran, Foyos**
(ES)

(73) **Assignee:** **Valvulas Arco, S.A., Valencia (ES)**

(**) **Term:** **14 Years**

(21) **Appl. No.:** **29/110,813**

(22) **Filed:** **Sep. 14, 1999**

(51) **LOC (7) Cl.** **23-01**

(52) **U.S. Cl.** **D23/233**

(58) **Field of Search** **D23/233-237;**
251/309, 310, 315.01, 315.1, 315.14

(56) **References Cited**

U.S. PATENT DOCUMENTS

D. 359,102	*	6/1995	Bouc et al.	D23/233
2,606,738	*	8/1952	Glen	251/315.14
4,262,880	*	4/1981	Danko et al.	251/309
4,609,177	*	9/1986	Turner et al.	251/310
4,960,262	*	10/1990	Hashimoto et al.	251/315.1
4,964,614	*	10/1990	Sands et al.	251/309

* cited by examiner

Primary Examiner—Robin V. Taylor

(74) *Attorney, Agent, or Firm*—Lackenbach Siegel
Marzullo Aronson & Greenspan, P.C.

(57) **CLAIM**

The ornamental design for a valve, as shown and described.

DESCRIPTION

FIG. 1 is a front view of my new valve design in open position;

FIG. 2 is a left end view thereof;

FIG. 3 is a right end view thereof;

FIG. 4 is a top view of the valve design, with the valve shown in the open position;

FIG. 5 is a sectional view showing two valve stops for the valve knob, but with the valve in the open position;

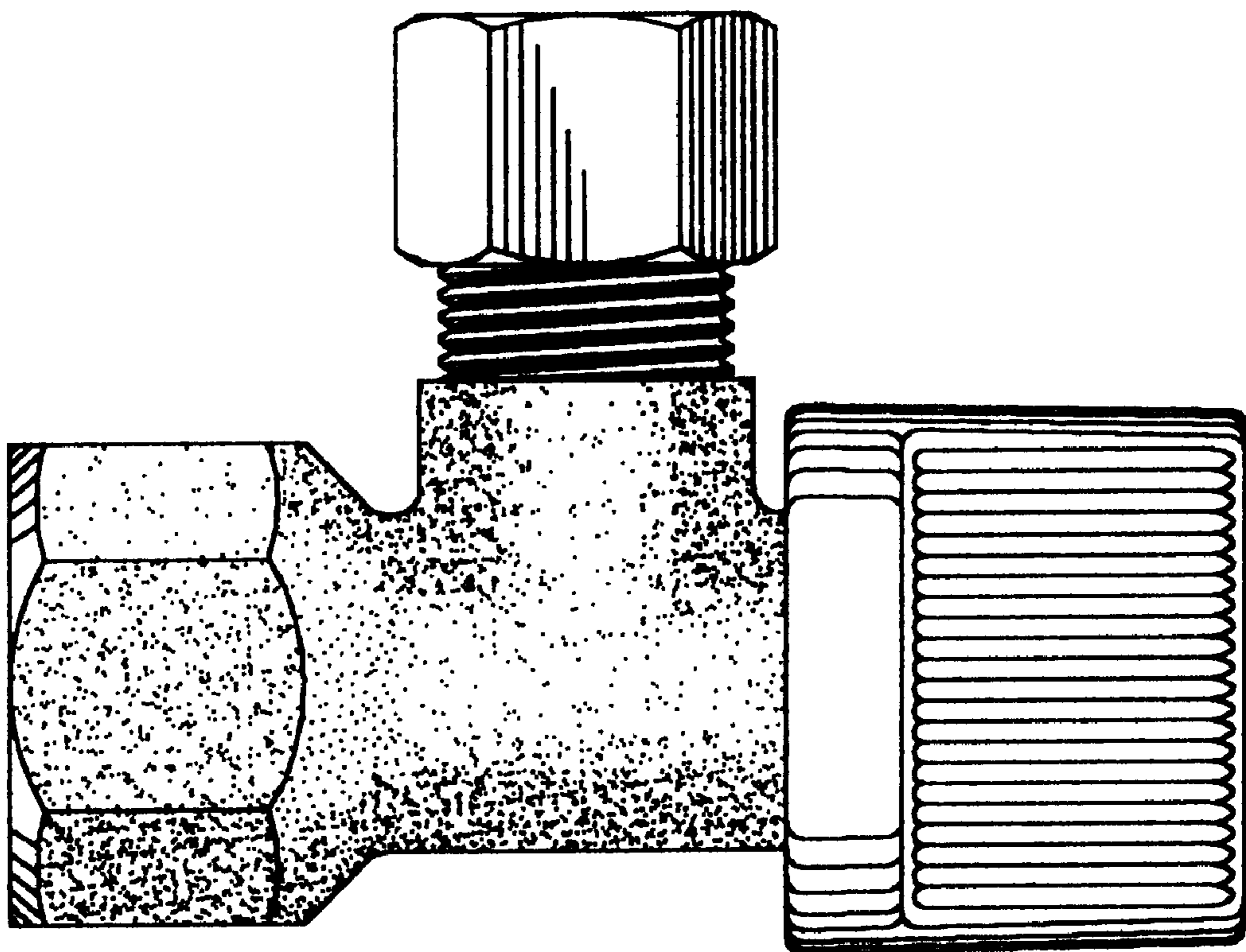
FIG. 6 is another top view, with the valve knob rotated 90°, but showing the valve in the closed position;

FIG. 7 is another sectional view showing the valve knob rotated 90° (closed position);

FIG. 8 is bottom view thereof, with the valve in open position; and,

FIG. 9 is a rear view thereof.

1 Claim, 3 Drawing Sheets



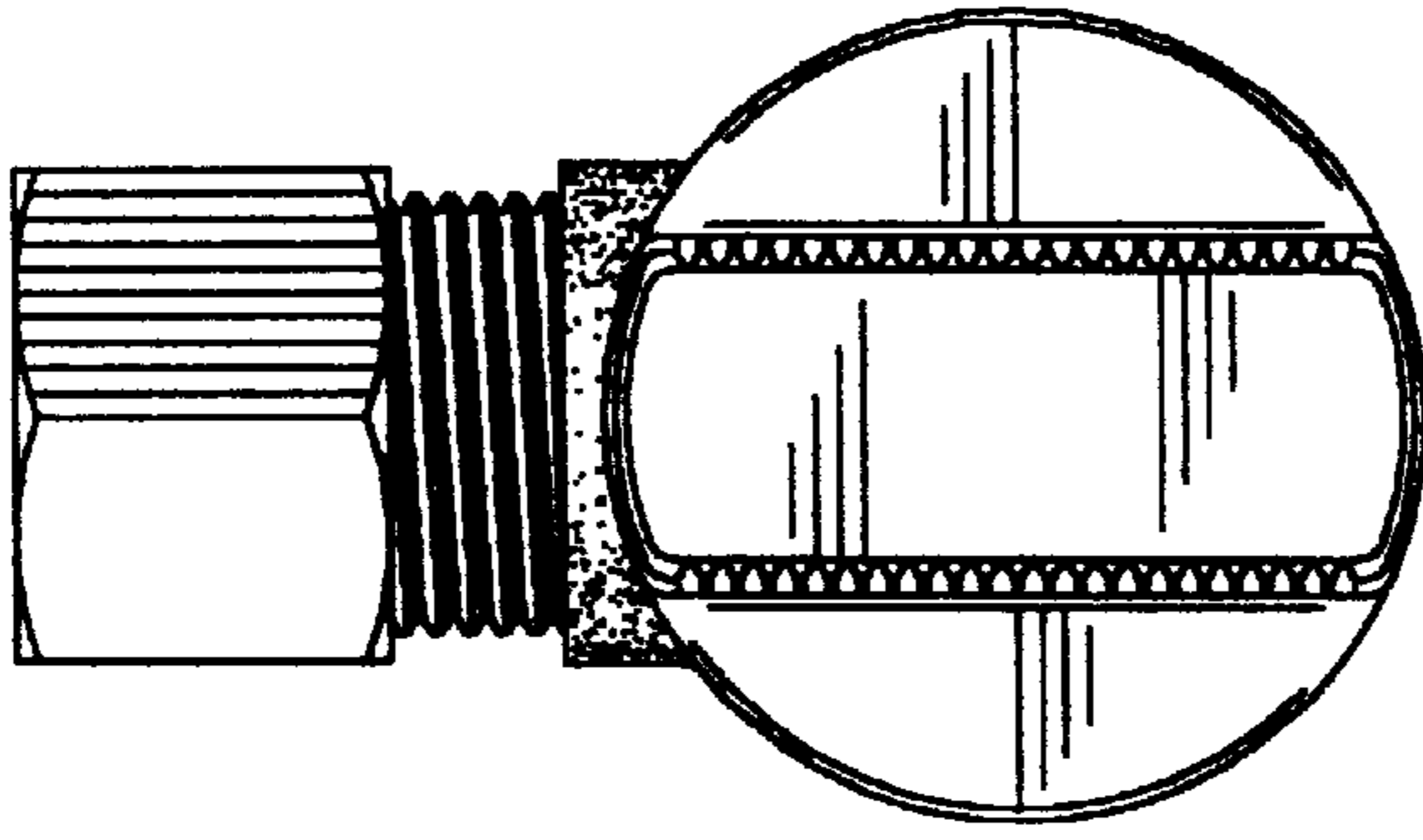


FIG. 3

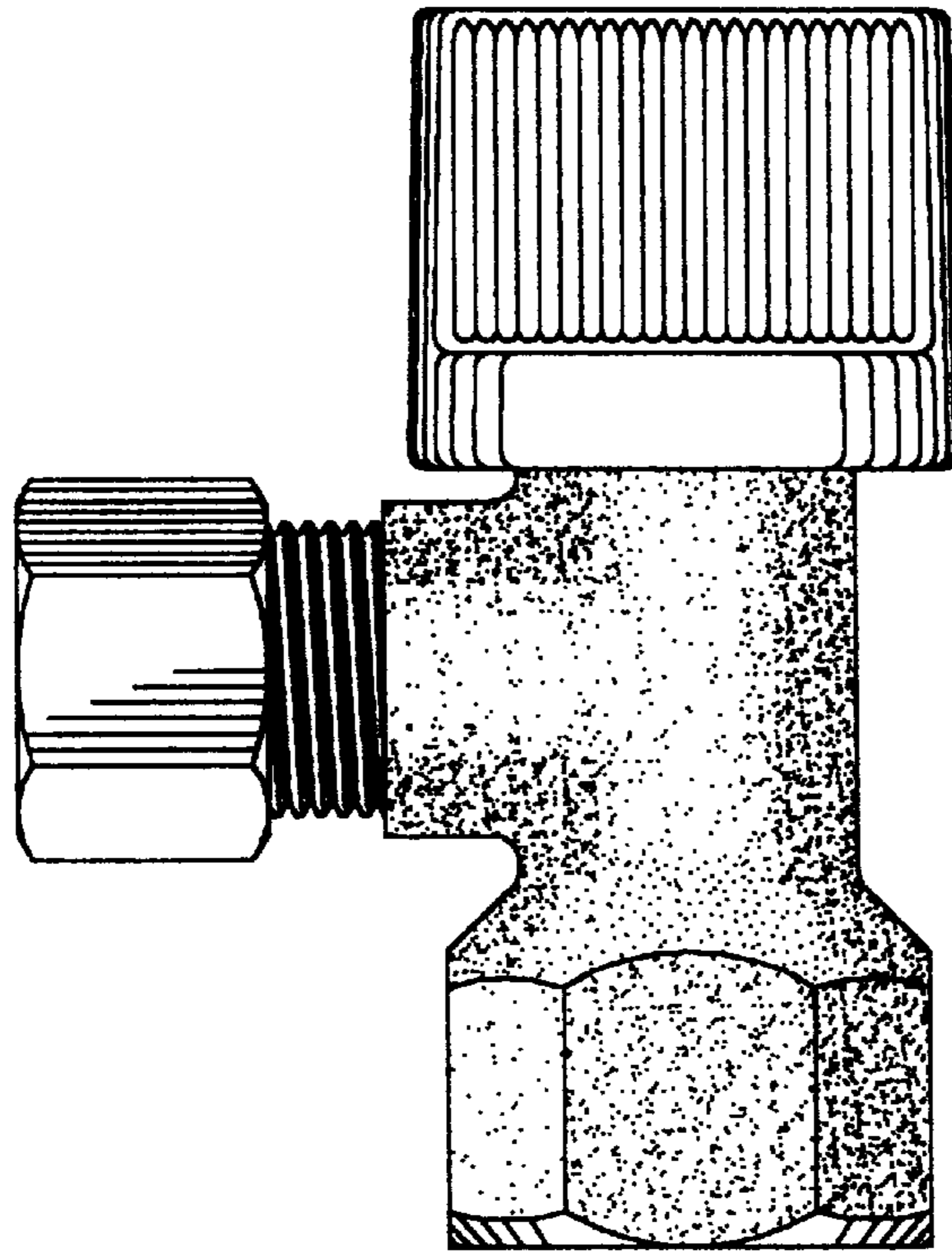


FIG. 1

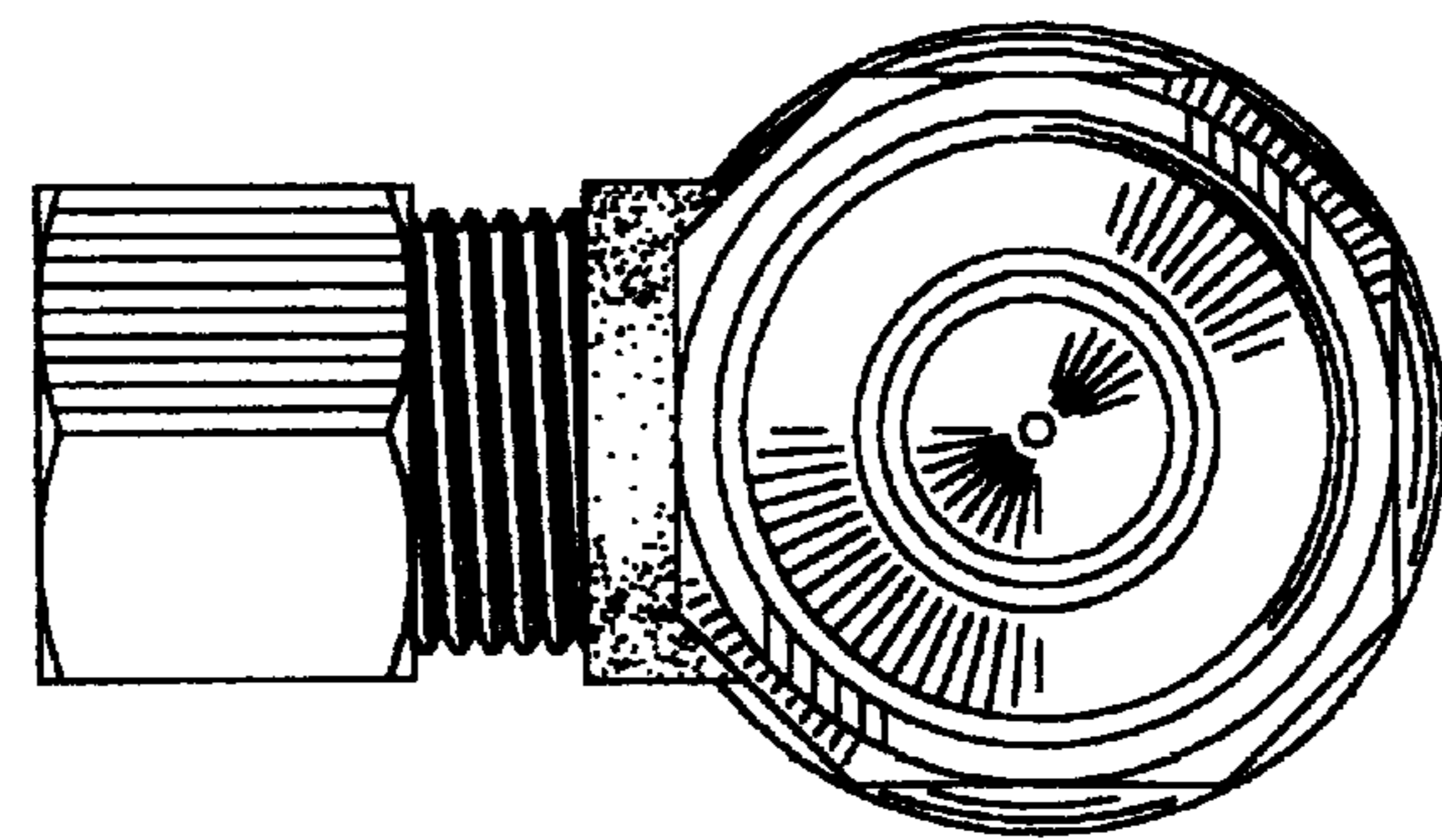


FIG. 2

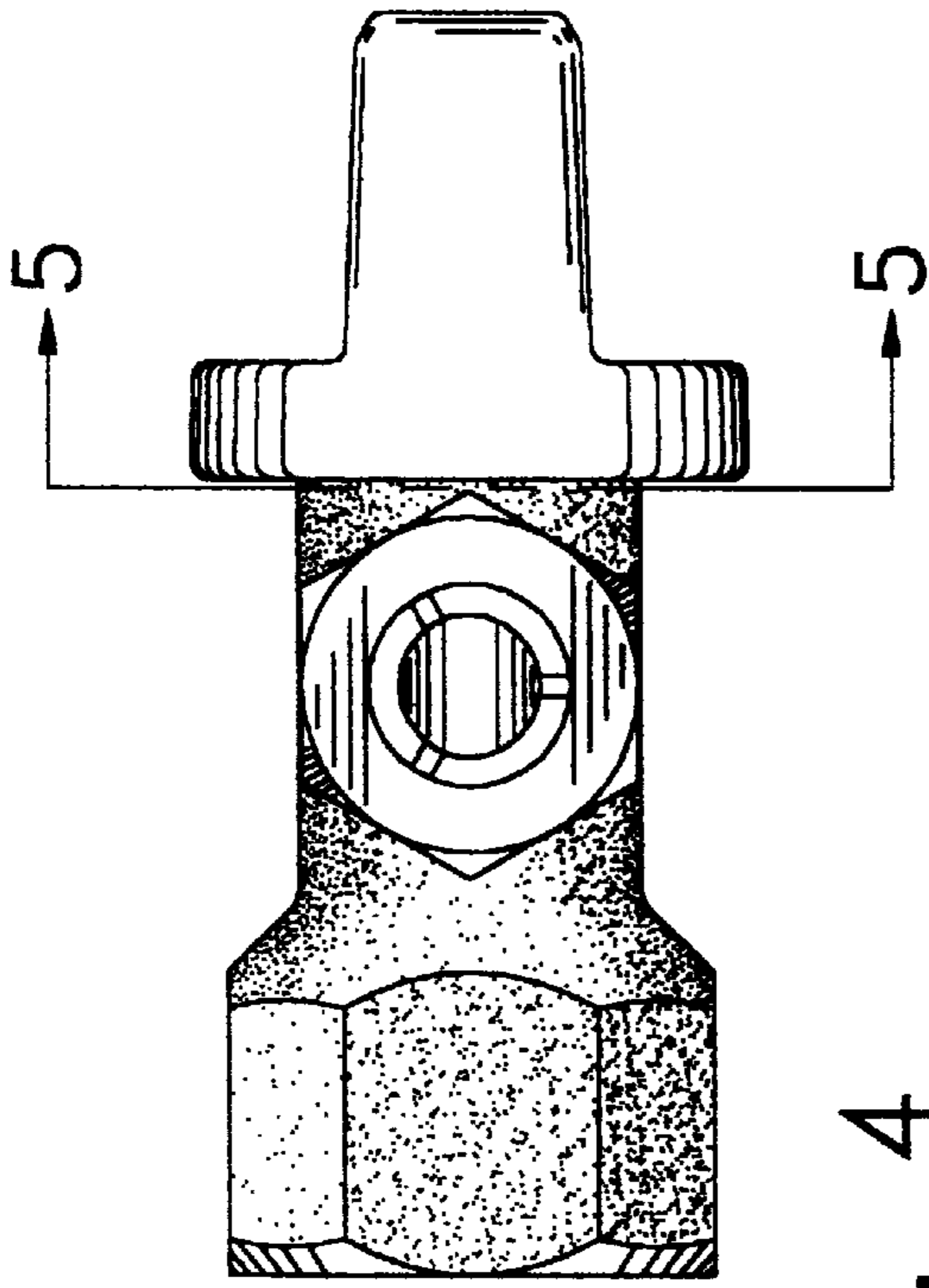


FIG. 4

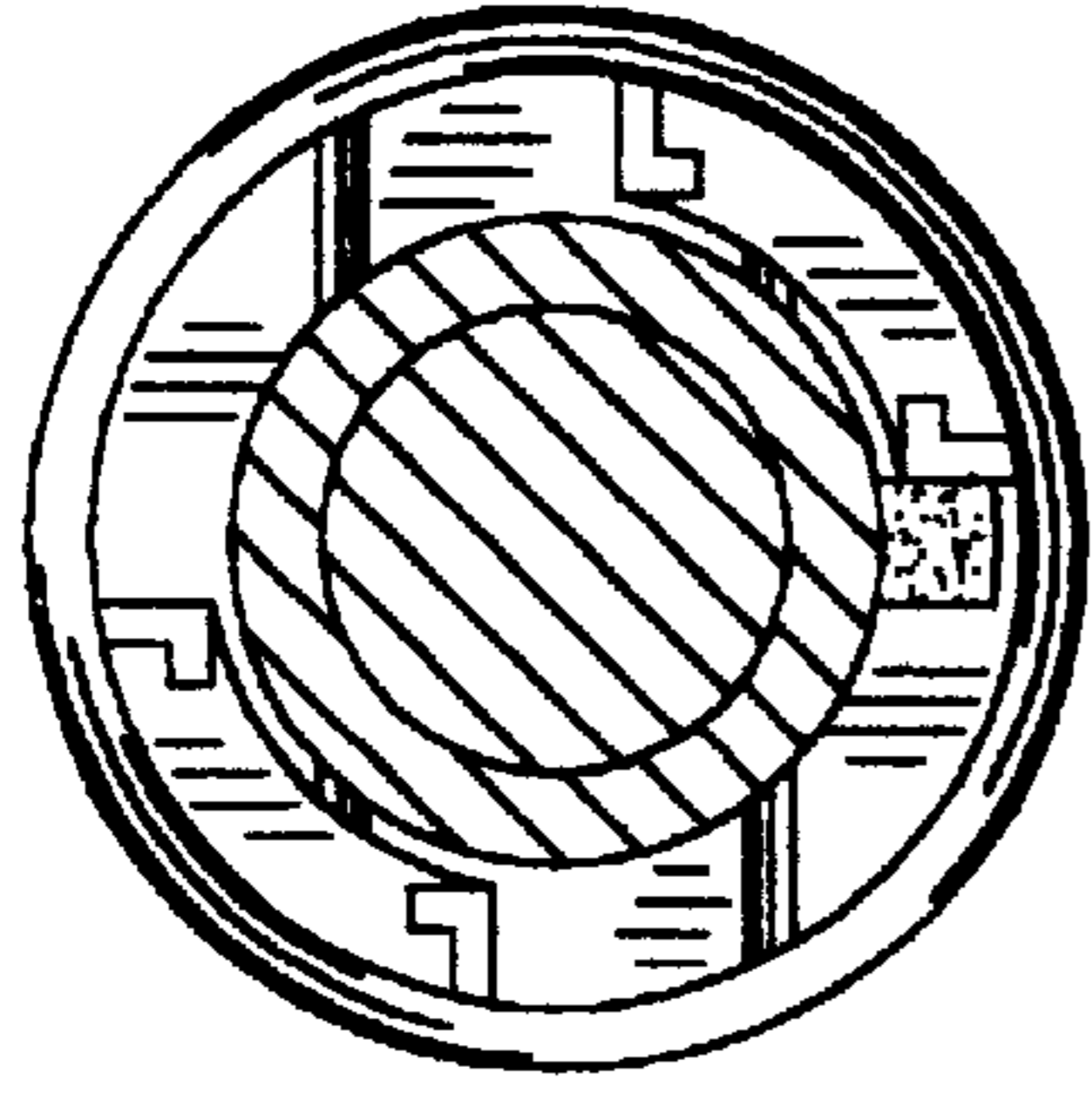


FIG. 5

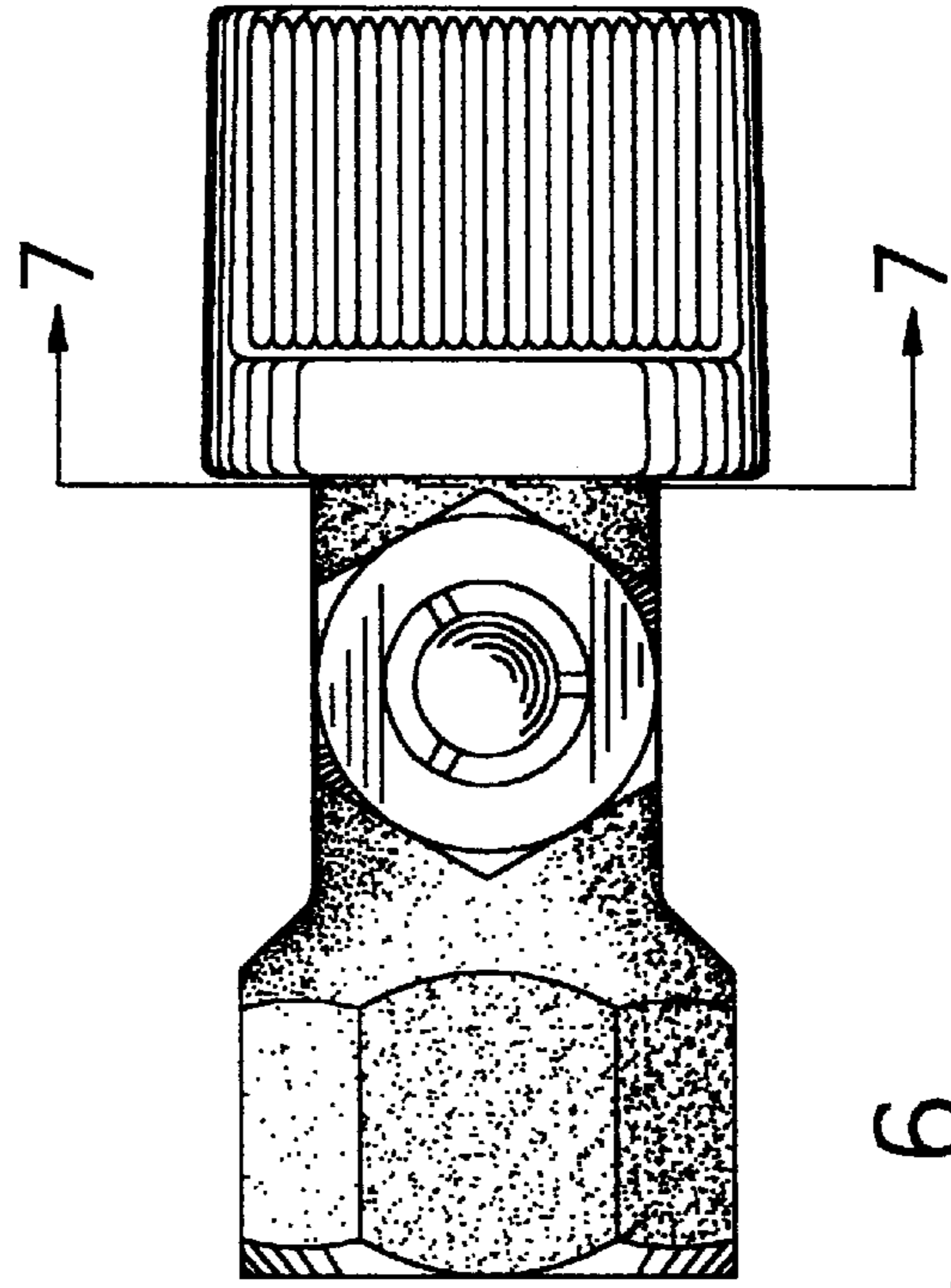


FIG. 6

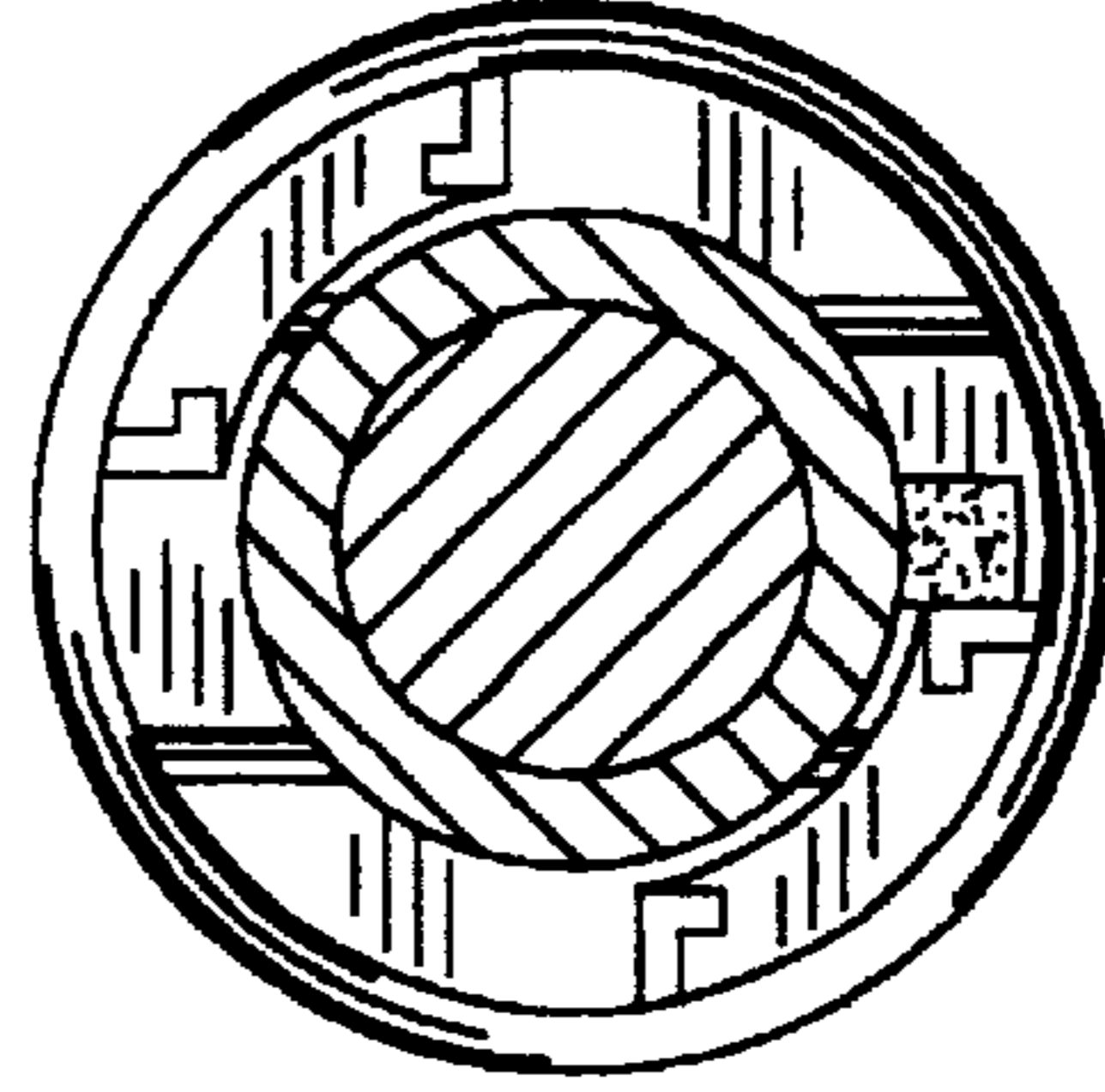


FIG. 7

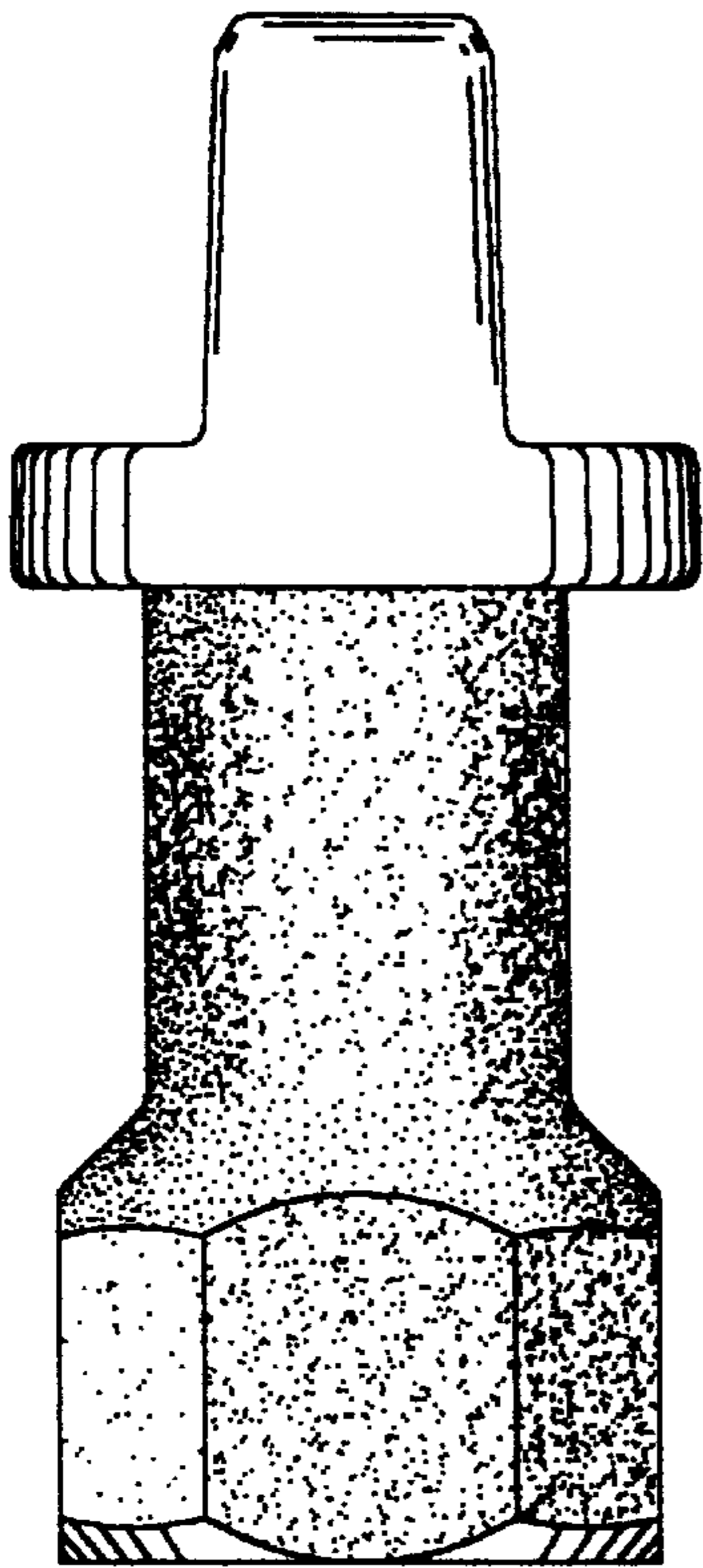


FIG. 8

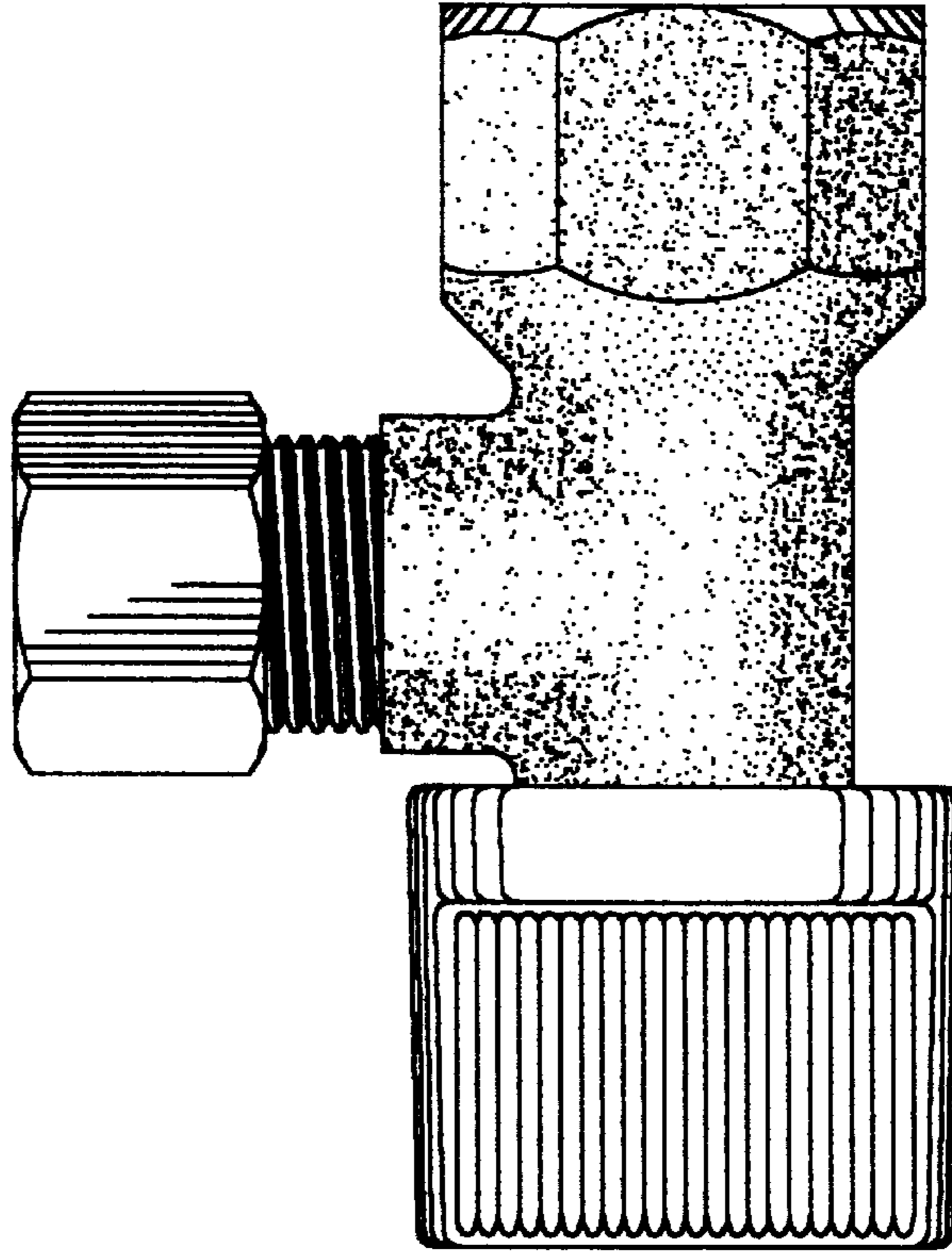


FIG. 9