



US00D438592S

(12) **United States Design Patent**
Gaston et al.

(10) **Patent No.:** **US D438,592 S**

(45) **Date of Patent:** **** Mar. 6, 2001**

(54) **FAUCET-MOUNTED WATER TREATMENT DEVICE**

(75) Inventors: **Johannes Nikolai Gaston; Douglas James Vanornum**, both of Minnetonka, MN (US)

(73) Assignee: **Recovery Engineering, Inc.**, Minneapolis, MN (US)

(**) Term: **14 Years**

(21) Appl. No.: **29/117,786**

(22) Filed: **Jan. 27, 2000**

(51) **LOC (7) Cl.** **23-01**

(52) **U.S. Cl.** **D23/209**

(58) **Field of Search** D23/207, 209; 210/459, 460, 461, 266, 232

(56) **References Cited**

U.S. PATENT DOCUMENTS

D. 242,249	*	11/1976	Corder et al.	D26/209
D. 253,066		10/1979	Karamian .	
D. 358,868		5/1995	Hembree et al. .	
D. 398,369	*	9/1998	Hayes et al.	D23/209
D. 398,703	*	9/1998	Hayes et al.	D23/209
D. 410,273	*	5/1999	Hunter et al.	D23/209
3,519,134		7/1970	Hassinger .	
4,287,057		9/1981	Stanley .	
4,504,389		3/1985	Rundzaitis .	
5,171,442		12/1992	Nakshbendi .	
5,344,558		9/1994	Kool .	
5,833,849	*	11/1998	Primdahl	210/232

OTHER PUBLICATIONS

- Exhibit A: Color photos of unidentified faucet filter "Made in Japan" no date available.
- Exhibit B: Color photos of unidentified faucet filter "Made in Japan" no date available.
- Exhibit C: Color photos of unidentified faucet filter "Made in Japan" no date available.
- Exhibit D: Color photos of unidentified faucet filter "Made in Japan" no date available.
- Exhibit E: Color photos of unidentified faucet filter "Made in Japan" no date available.

Exhibit F: Color photos of unidentified faucet filter no date available.

Exhibit G: Color photos of unidentified faucet filter no date available.

Sears Owner's Manual for WaterWorks Deluxe Faucet Water Filter with Electronic Indicator, Model No. 625.345300, (Rev. Jan. 15, 1996).

Peter Giannetti, Homeworld Business®, Mar. 30–Apr. 12, 1998, p. 119, "Honeywell Adds Faucet–Mount Water Filtration For Deeper Presence" 1998.

Color photos of Brita® faucet filter no date available.

Color photos of Culligan® faucet filter no date available.

Color photos of Instapure® faucet filter no date available.

Color photos of Pixie PRO faucet filter no date available.

Color photos of Teledyne Water Pik® faucet filter no date available.

* cited by examiner

Primary Examiner—Robin V. Taylor

(74) *Attorney, Agent, or Firm*—Merchant & Gould P.C.

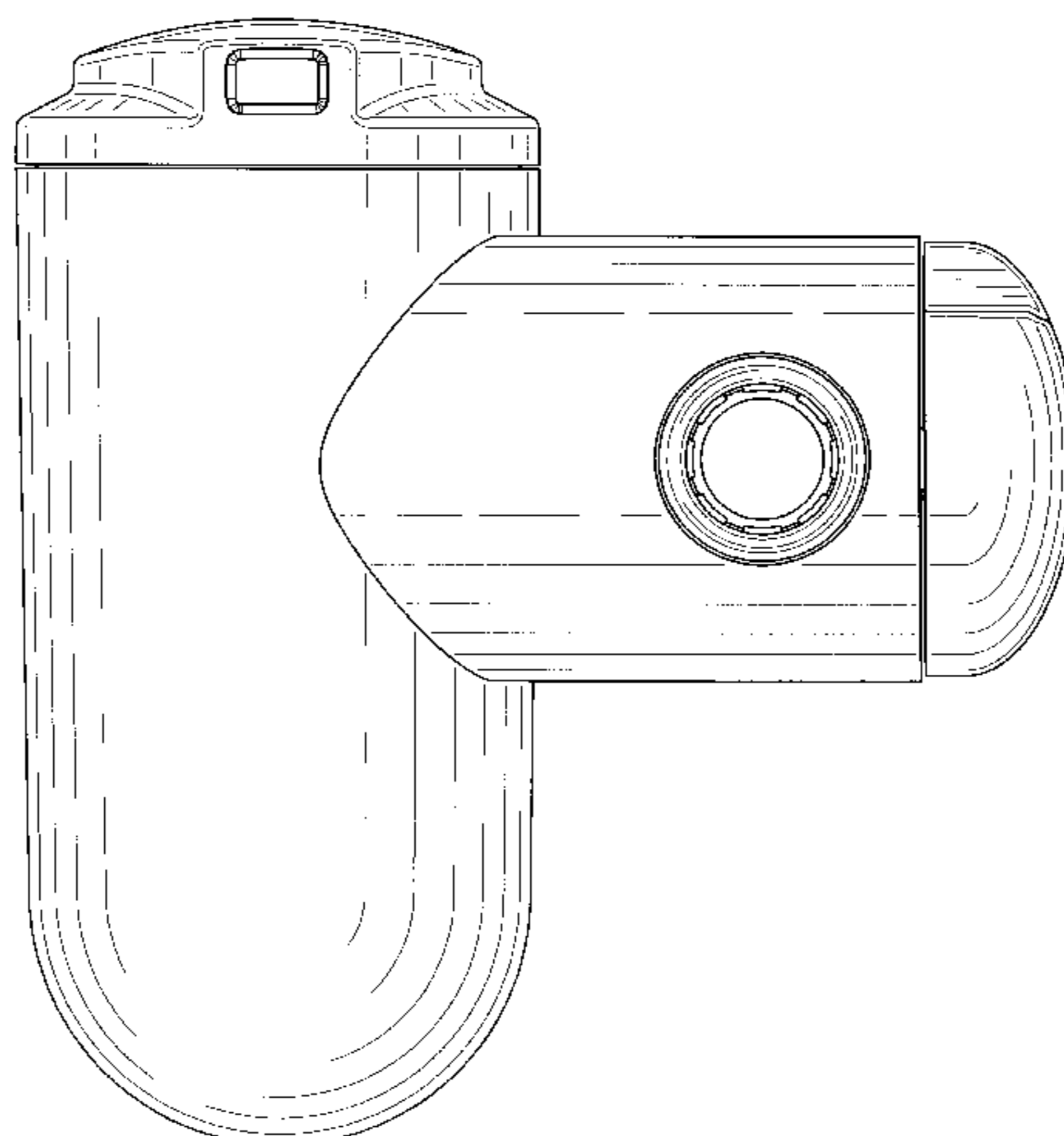
(57) **CLAIM**

The ornamental design for a faucet-mounted water treatment device, as shown and described.

DESCRIPTION

FIG. 1 is a perspective view of a first embodiment of our new design for a faucet-mounted water treatment device; FIG. 2 is a front elevational view thereof; FIG. 3 is a rear elevational view thereof; FIG. 4 is a left side elevational view thereof; FIG. 5 is a right side elevational view thereof; FIG. 6 is a top plan view thereof; FIG. 7 is a bottom plan view thereof; FIG. 8 is a perspective view of a second embodiment of our new design for a faucet-mounted water treatment device; FIG. 9 is a front elevational view thereof; FIG. 10 is a rear elevational view thereof; FIG. 11 is a left side elevational view thereof; FIG. 12 is a right side elevational view thereof; FIG. 13 is a top plan view thereof; and, FIG. 14 is a bottom plan view thereof.

1 Claim, 14 Drawing Sheets



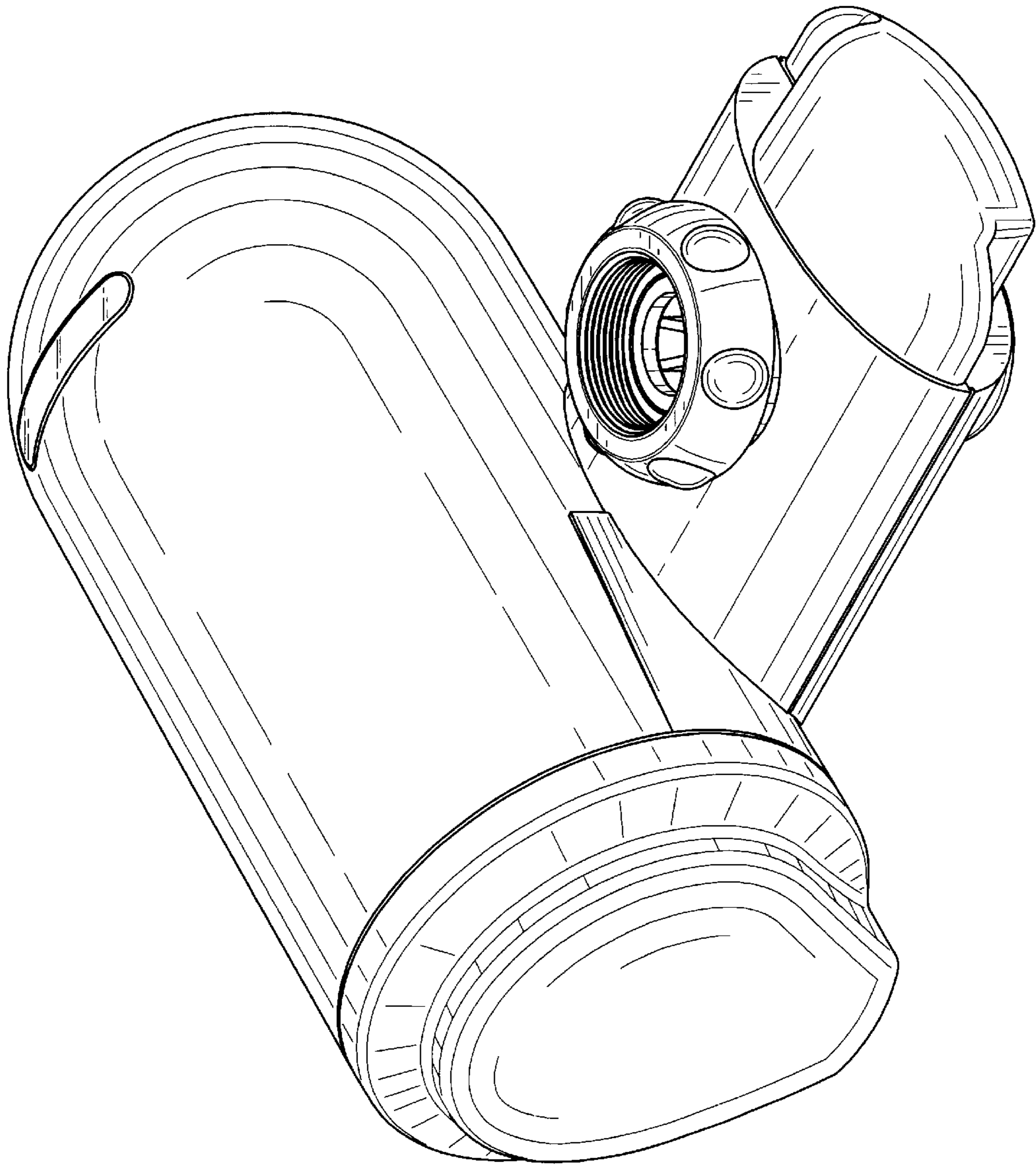


FIG. 1

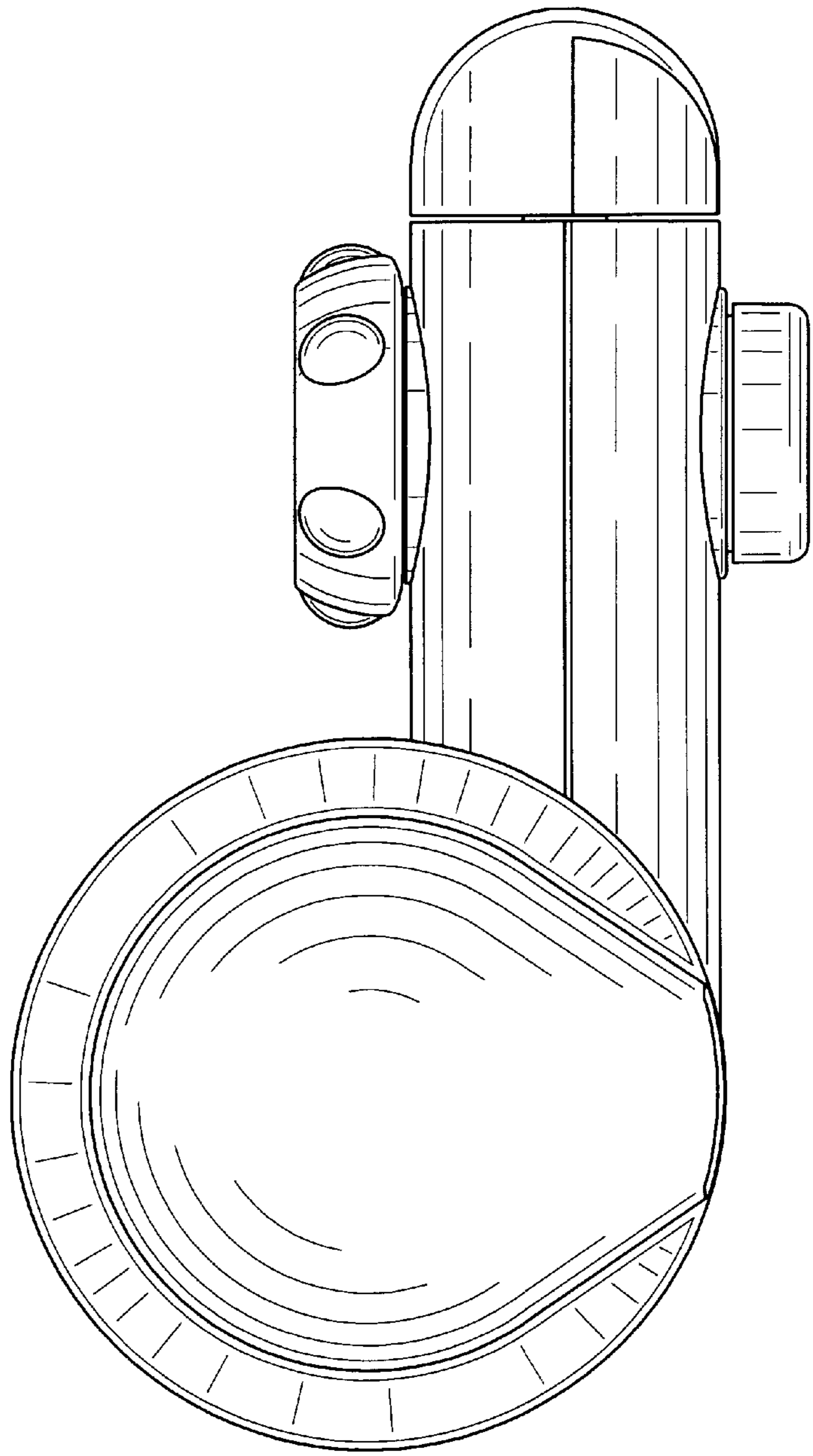


FIG. 2

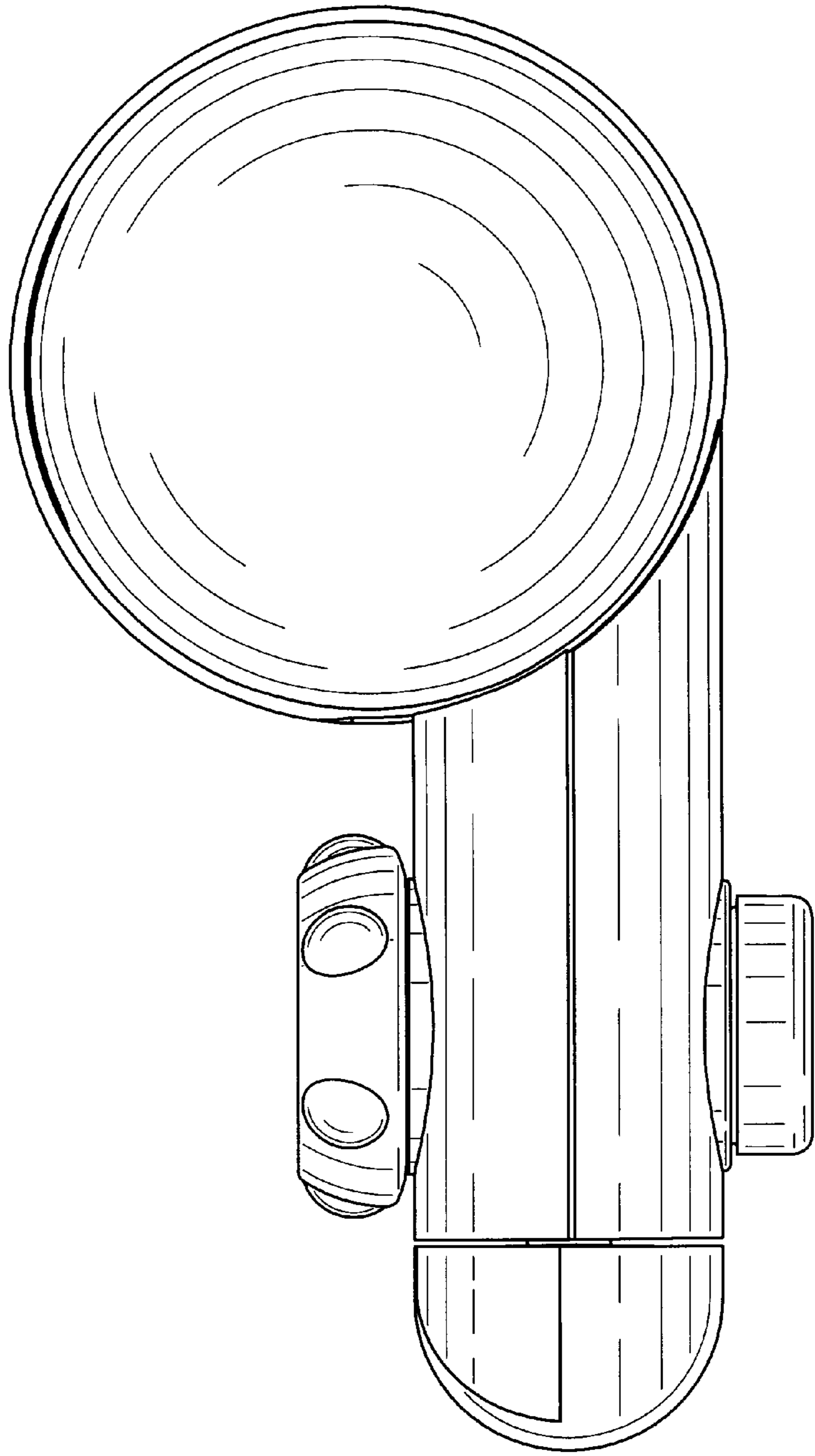


FIG. 3

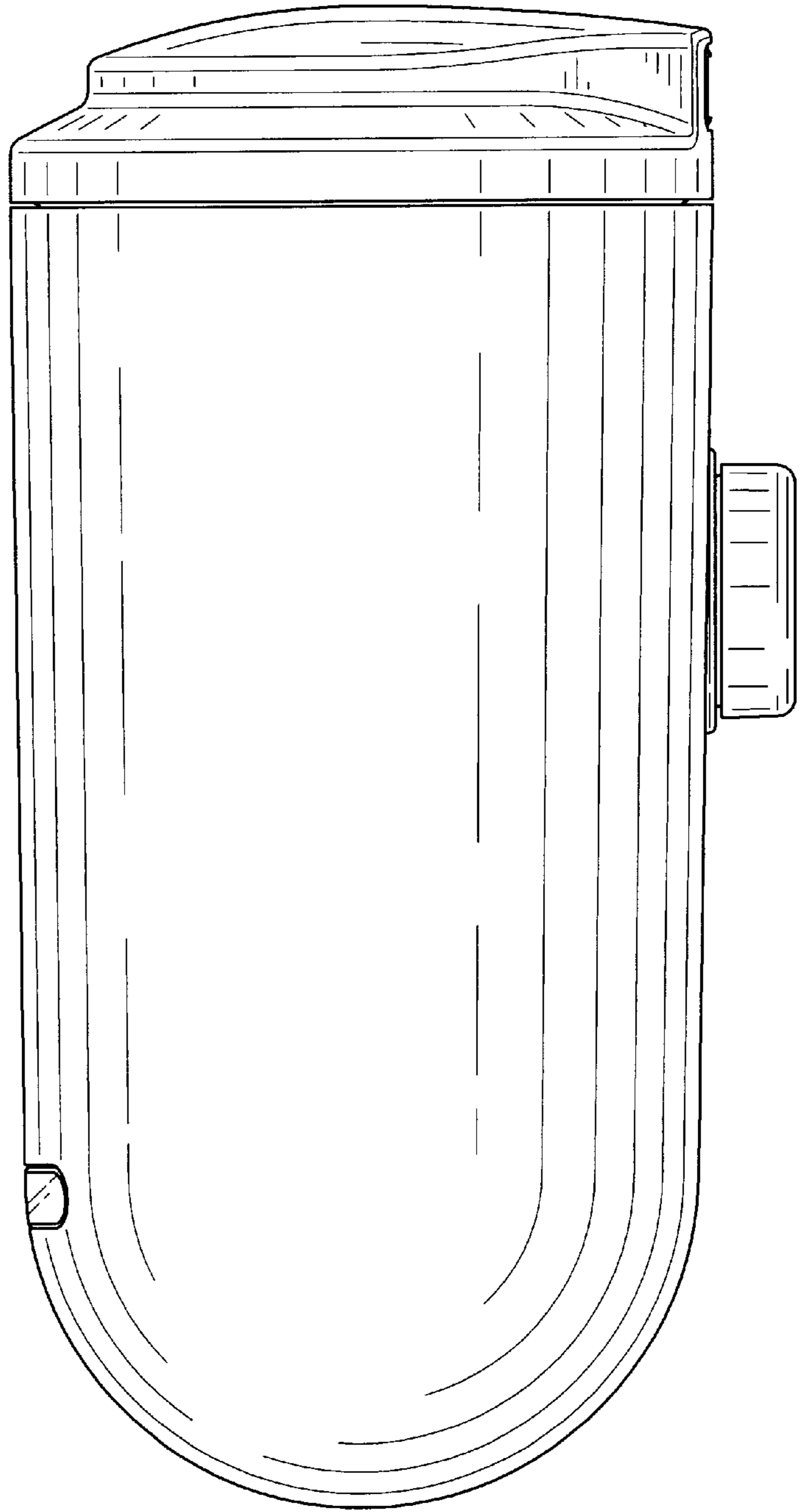


FIG. 4

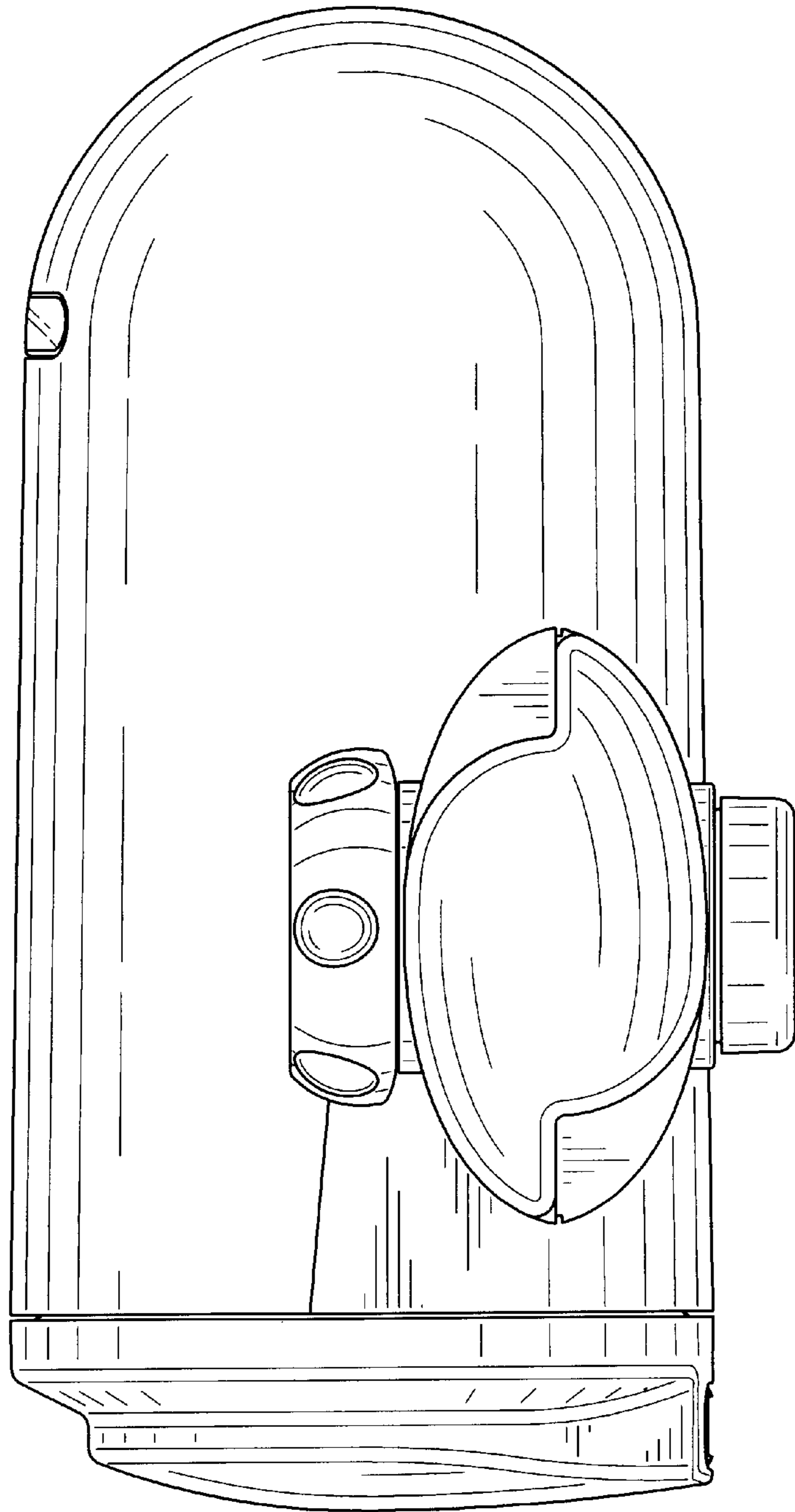


FIG. 5

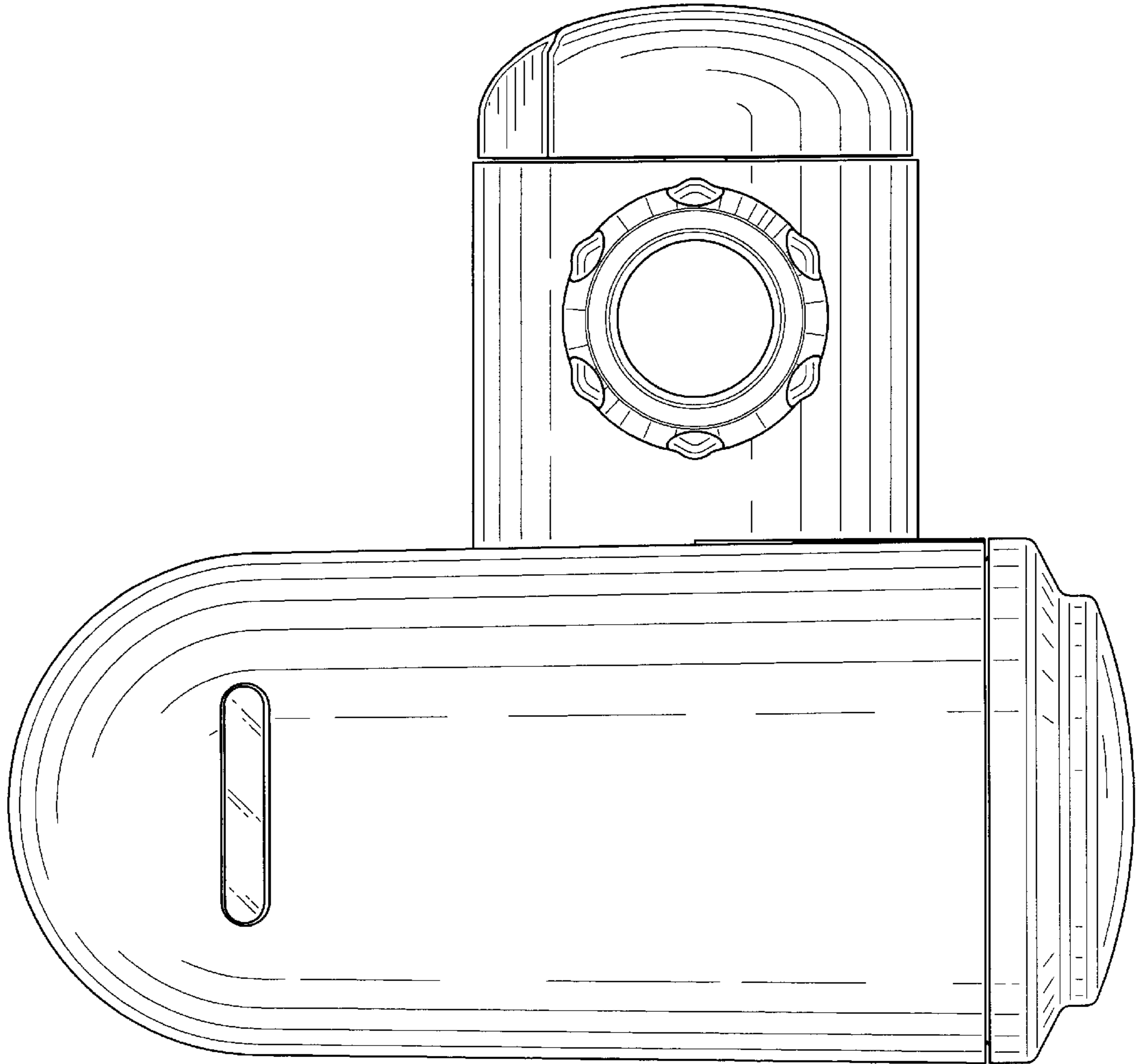


FIG. 6

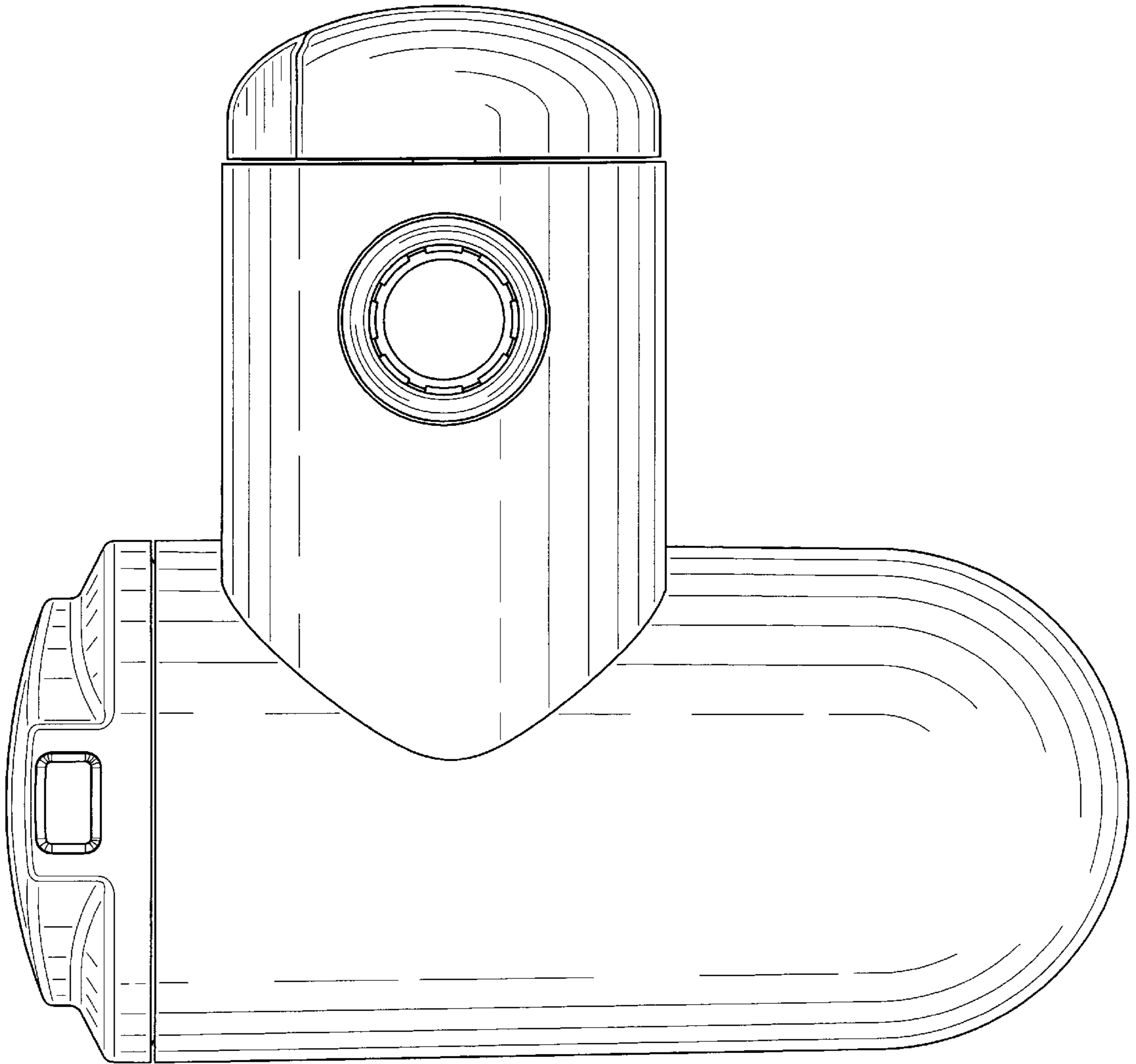


FIG. 7

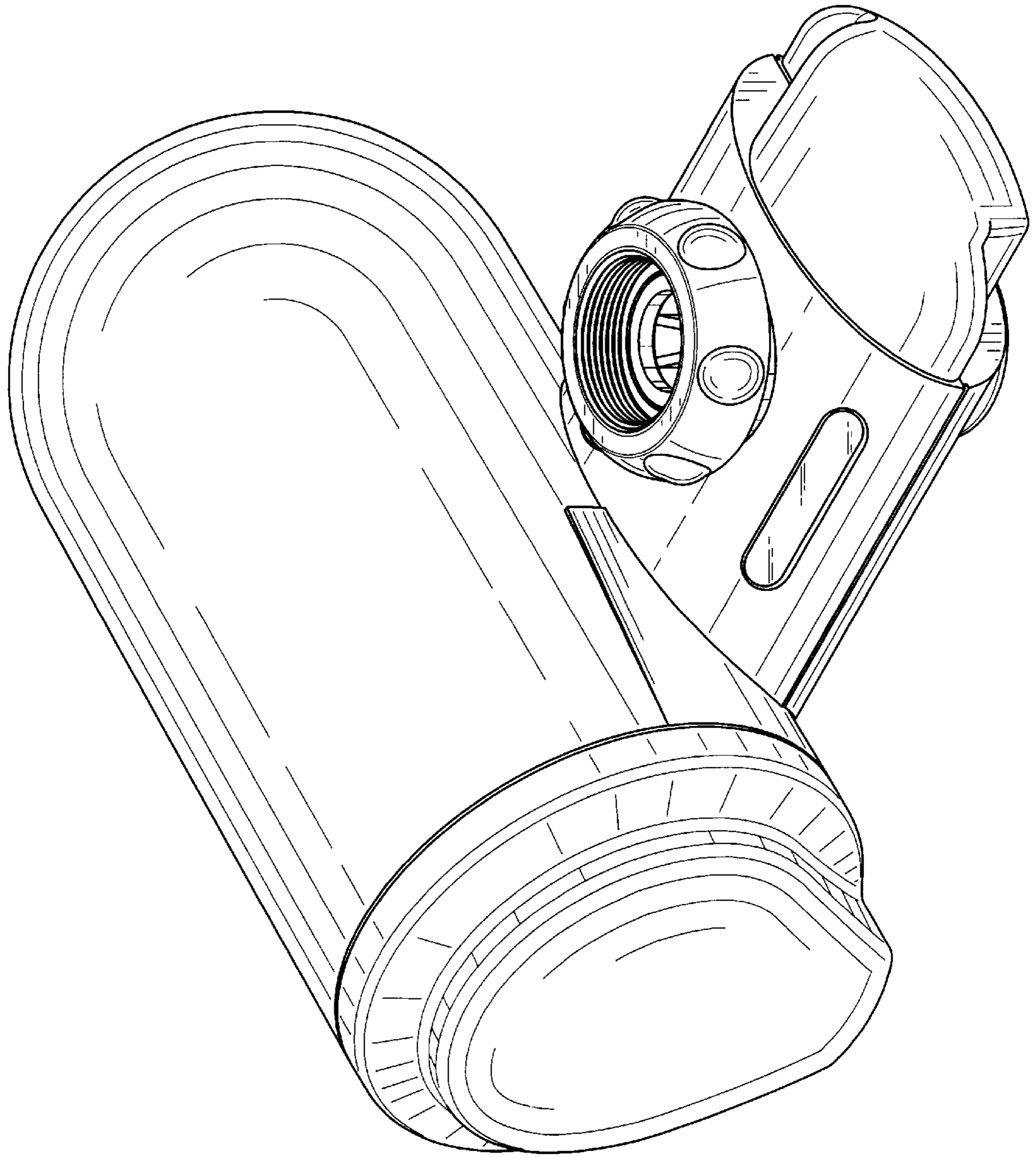


FIG. 8

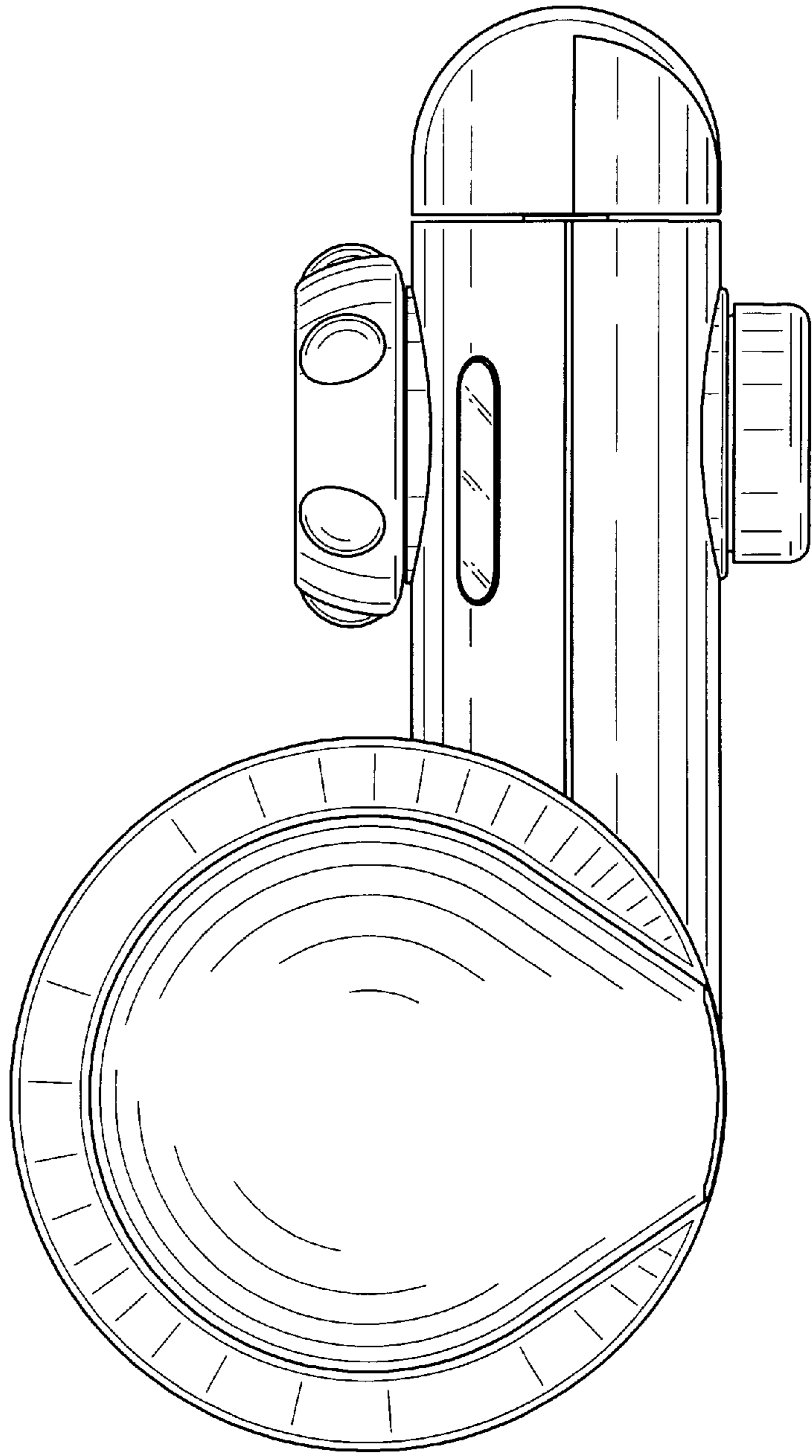


FIG. 9

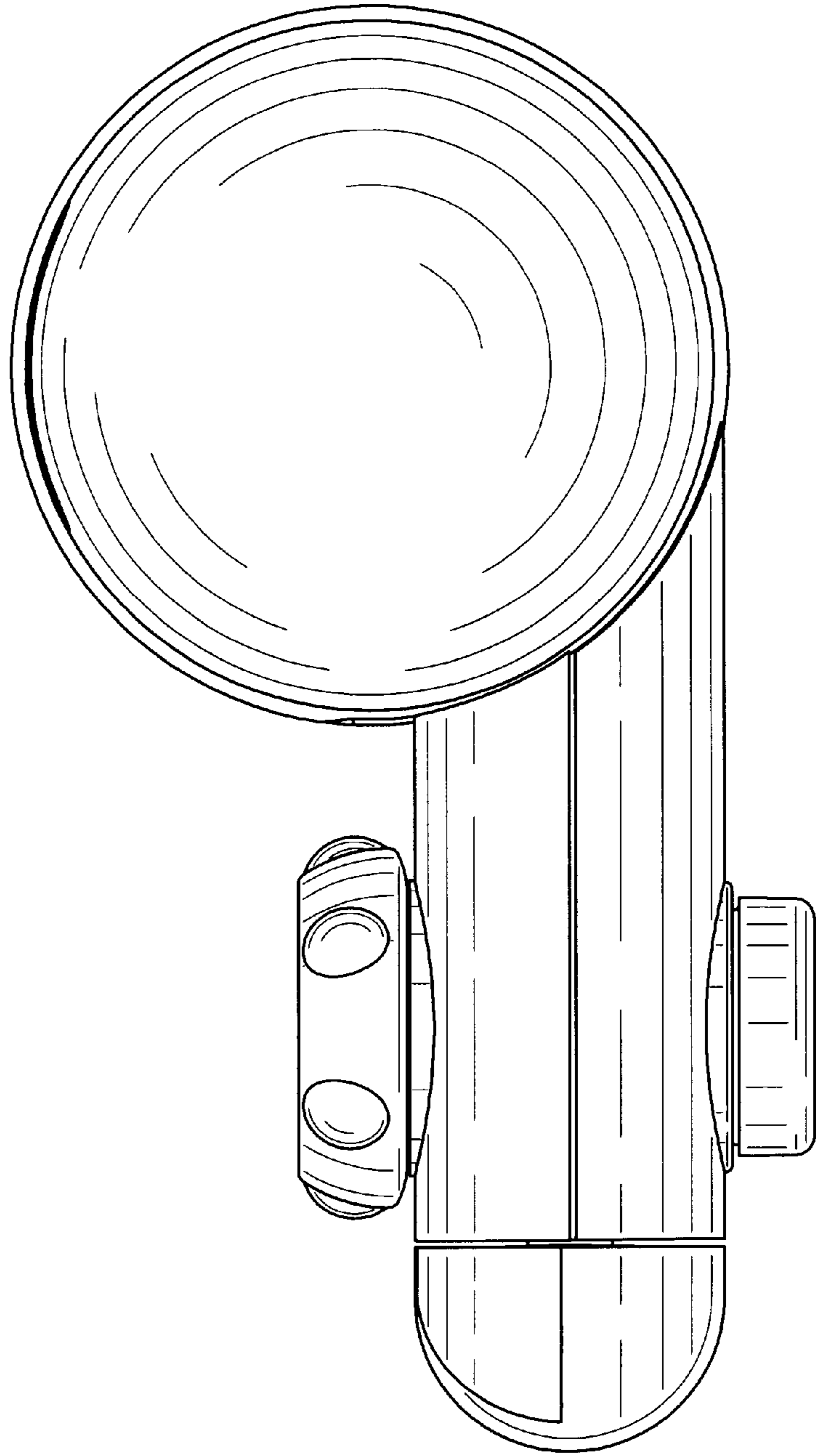


FIG. 10

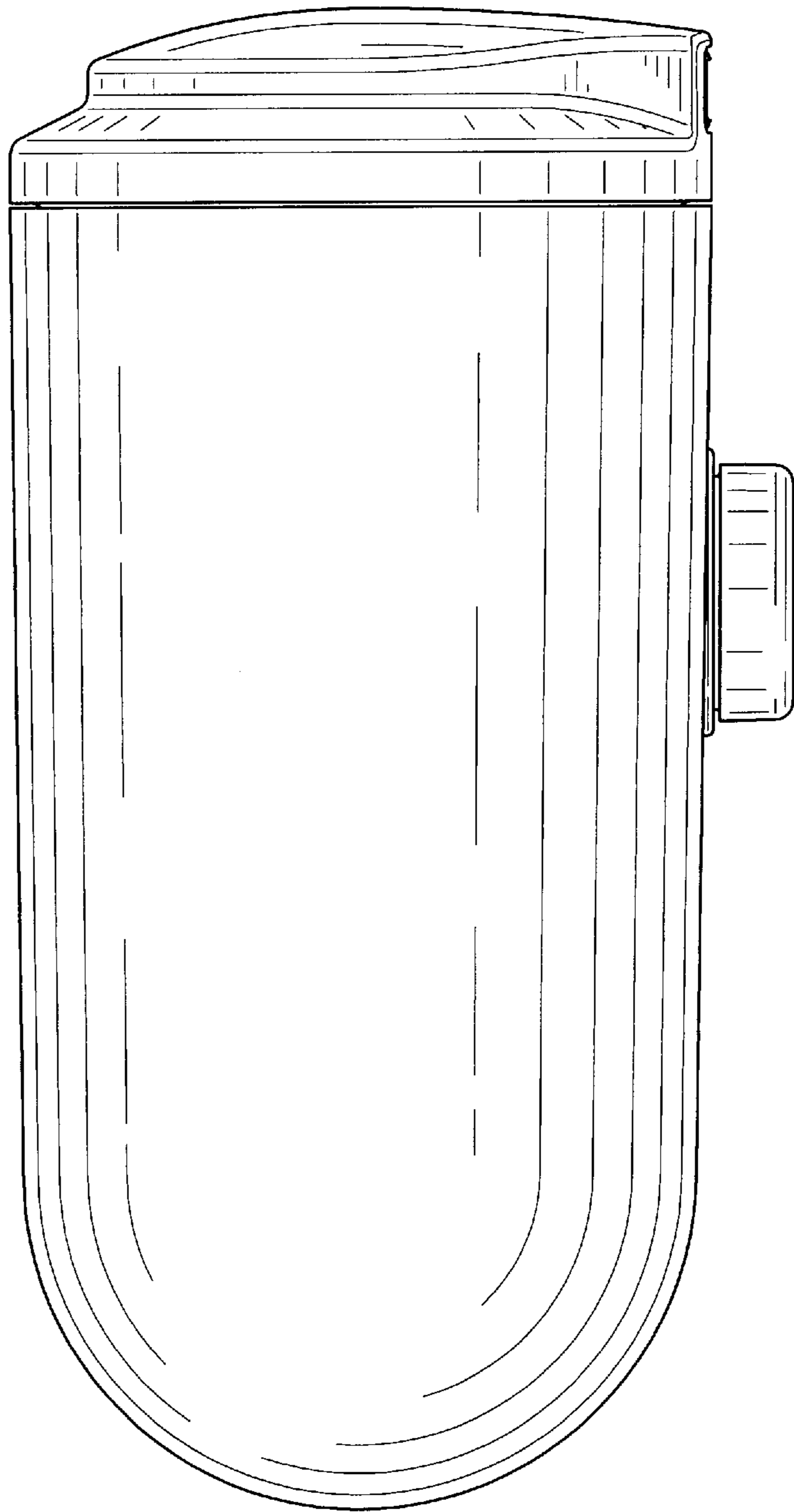


FIG. 11

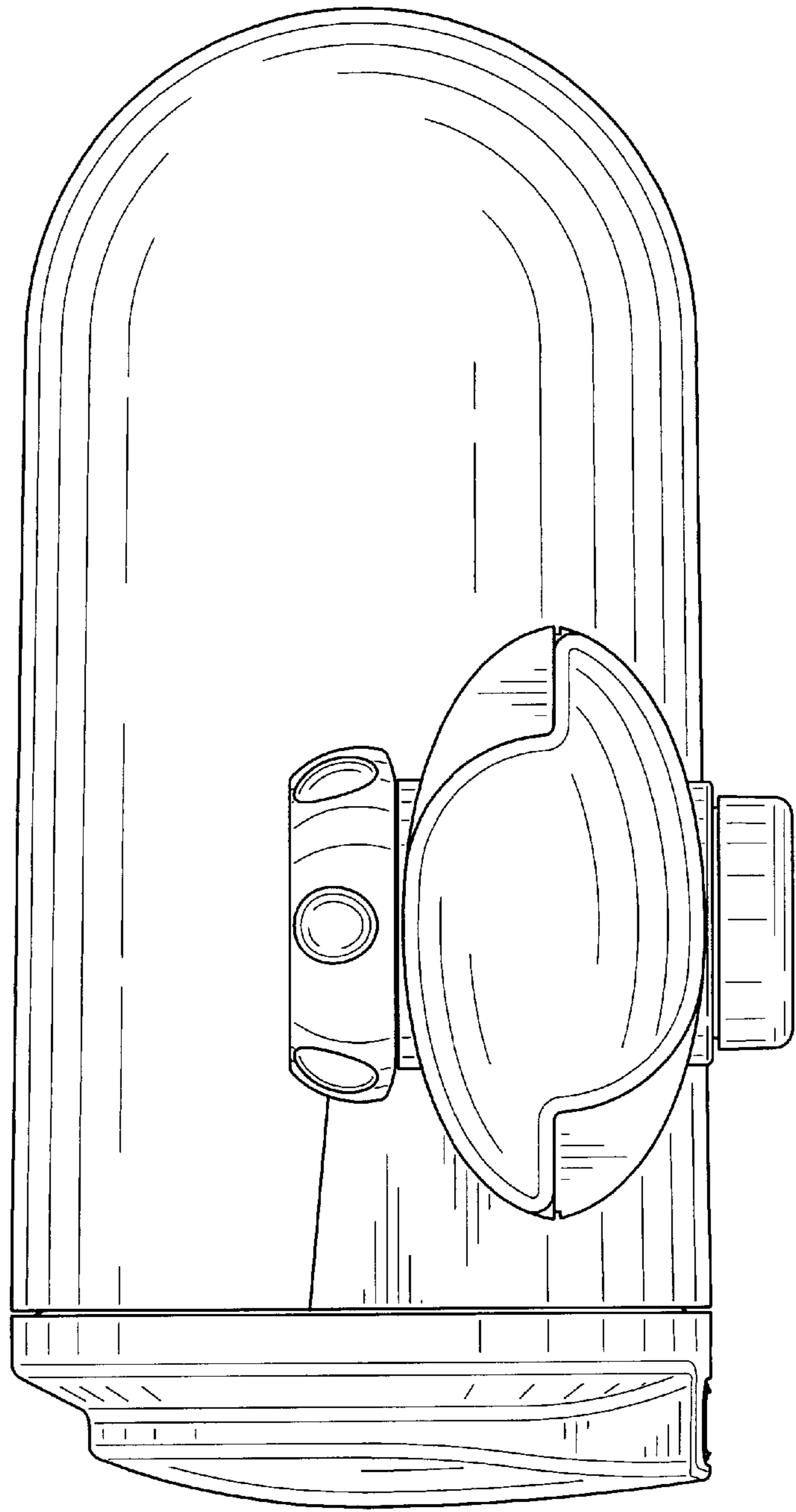


FIG. 12

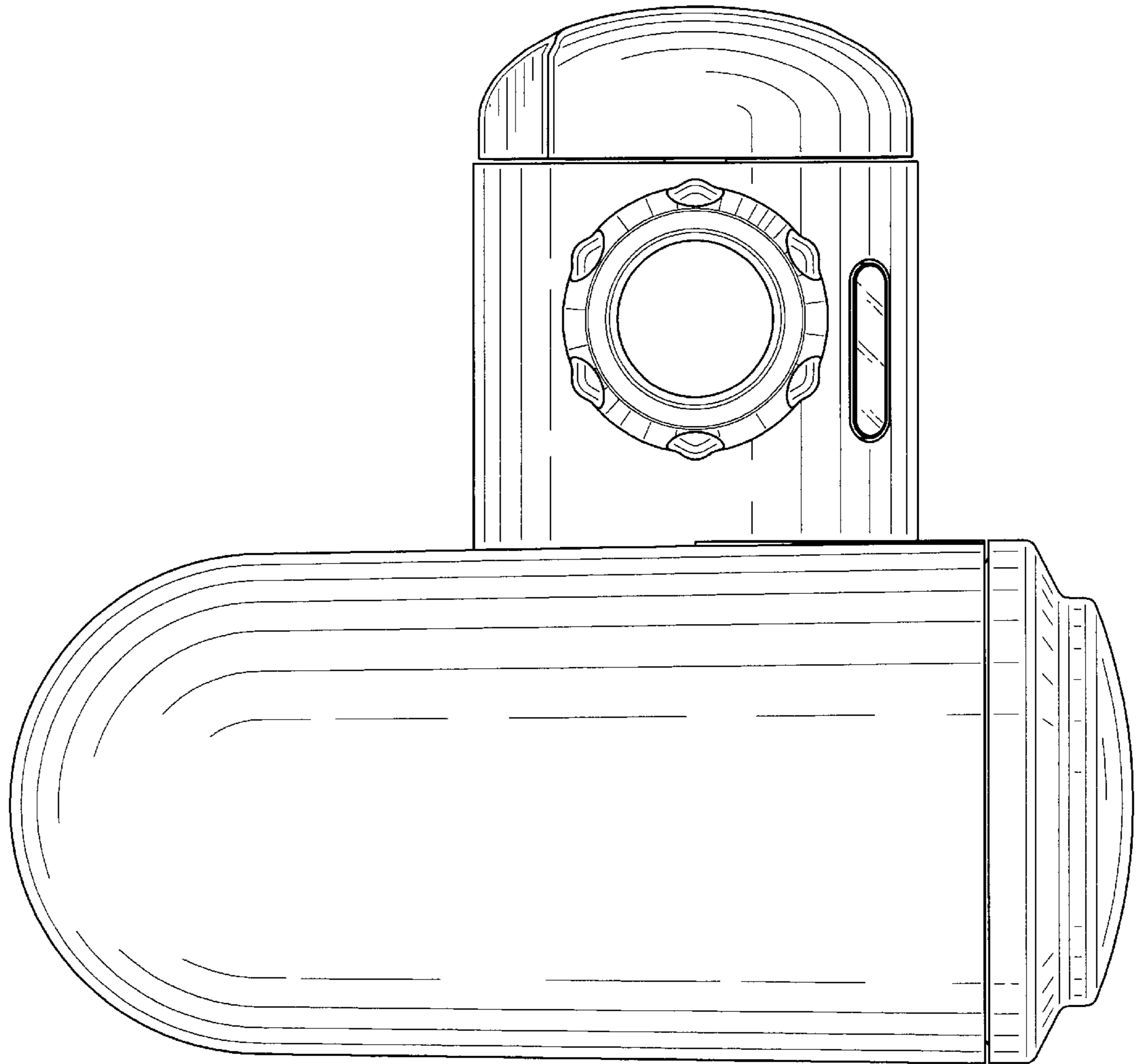


FIG. 13

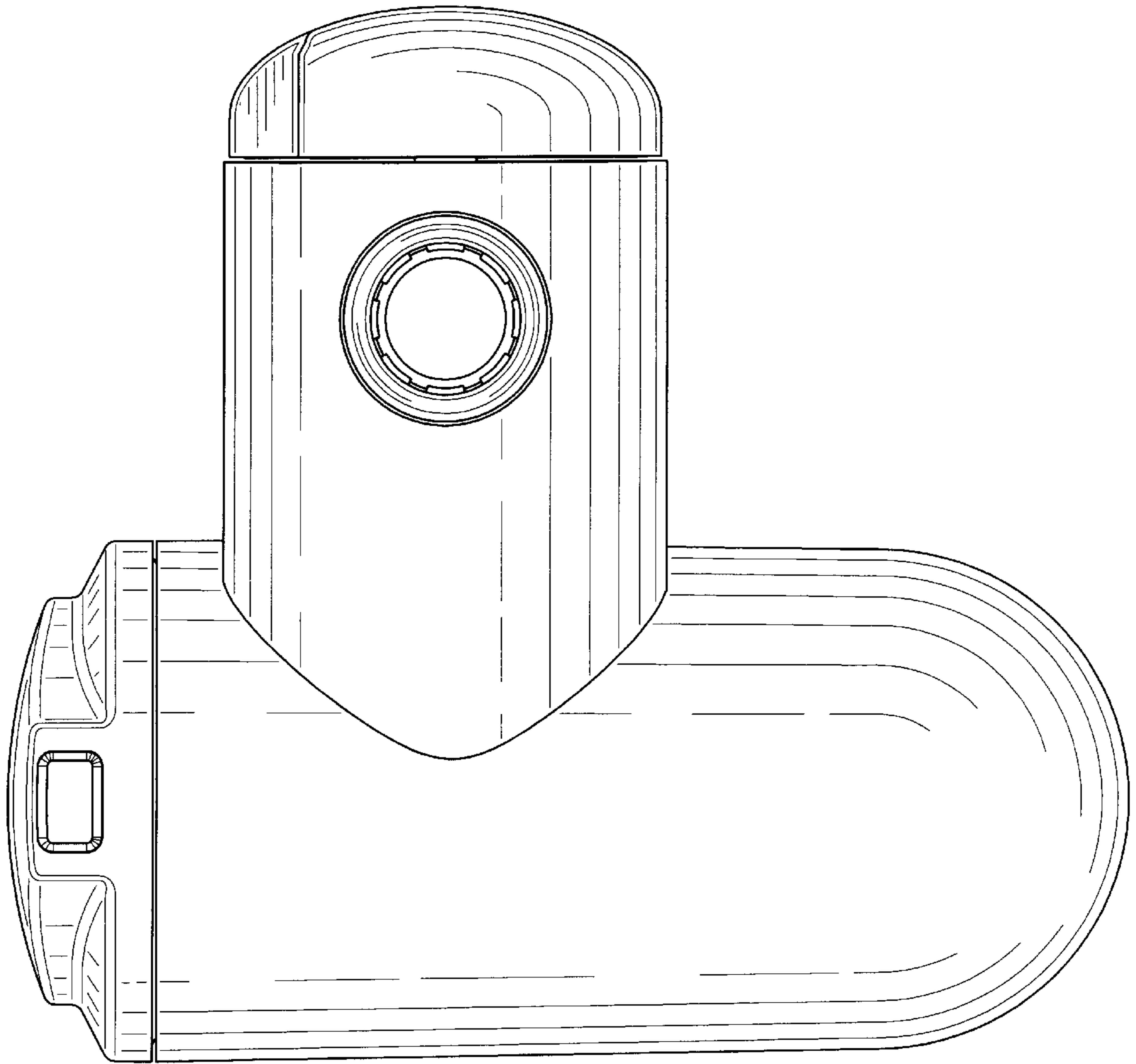


FIG. 14

UNITED STATES PATENT AND TRADEMARK OFFICE
CERTIFICATE OF CORRECTION

PATENT NO. : Des 438,592 S
DATED : March 6, 2001
INVENTOR(S) : Johannes Nikolai Gaston, Douglas James VanOrnum

Page 1 of 1

It is certified that error appears in the above-identified patent and that said Letters Patent is hereby corrected as shown below:

Title page.

Item [75] Inventors: "Douglas James Vanornum" should read
-- Douglas James VanOrnum --

Signed and Sealed this

Second Day of April, 2002

Attest:



Attesting Officer

JAMES E. ROGAN
Director of the United States Patent and Trademark Office