



US00D438587S

(12) **United States Design Patent**
Schmitt, Jr.

(10) **Patent No.:** **US D438,587 S**

(45) **Date of Patent:** **** Mar. 6, 2001**

(54) **GOLF TOOL**

(76) **Inventor:** **Arthur L. Schmitt, Jr.**, 2731 Clover,
New Orleans, LA (US) 70122

(**) **Term:** **14 Years**

(21) **Appl. No.:** **29/122,311**

(22) **Filed:** **Apr. 25, 2000**

(51) **LOC (7) Cl.** **21-02**

(52) **U.S. Cl.** **D21/793**

(58) **Field of Search** D21/789, 793,
D21/795; 473/286, 406, 408

(56) **References Cited**

U.S. PATENT DOCUMENTS

D. 272,461	*	1/1984	Burns	D21/793
D. 290,985	*	7/1987	Dikoff	D21/793
D. 343,885	*	2/1994	Wilkie, Sr.	D21/795
D. 392,362	*	3/1998	Ridgeway	D21/793
4,535,987	*	8/1985	Dikoff	473/406
5,759,120	*	6/1998	Mathis et al.	473/406
5,813,414	*	9/1998	Zutler et al.	473/286

* cited by examiner

Primary Examiner—Mitchell Siegel

(74) *Attorney, Agent, or Firm*—Joseph T. Regard, Ltd plc

(57) **CLAIM**

The ornamental design for golf tool, as shown and described.

DESCRIPTION

FIG. 1 is an isometric view of the golf tool design of the present invention;

FIG. 2 is a side view of the golf tool design of the present invention;

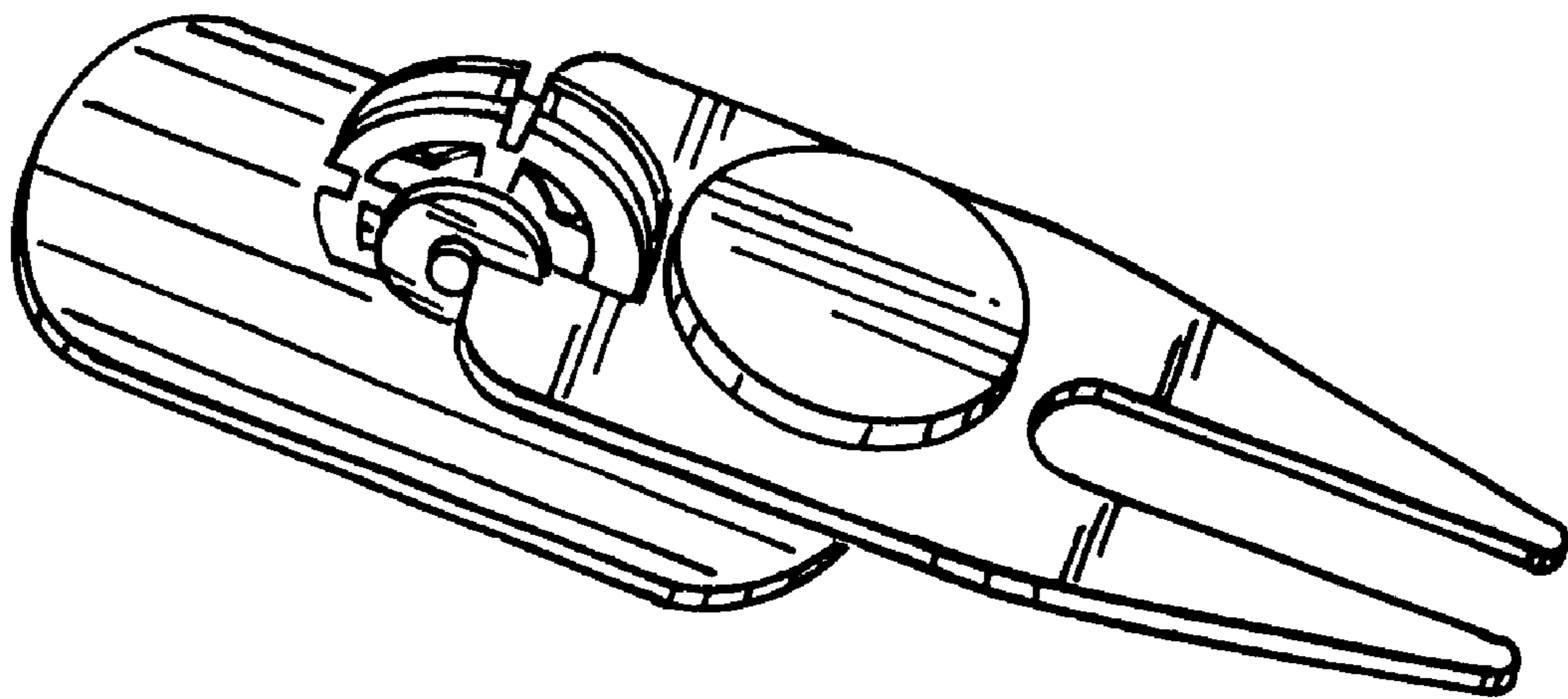
FIG. 3 is a rear end view of the golf tool design of the present invention;

FIG. 4 is a bottom view of the golf tool design of the present invention;

FIG. 5 is a front end view of the golf tool design of the present invention; and,

FIG. 6 is a top view of the golf tool design of the present invention.

1 Claim, 1 Drawing Sheet



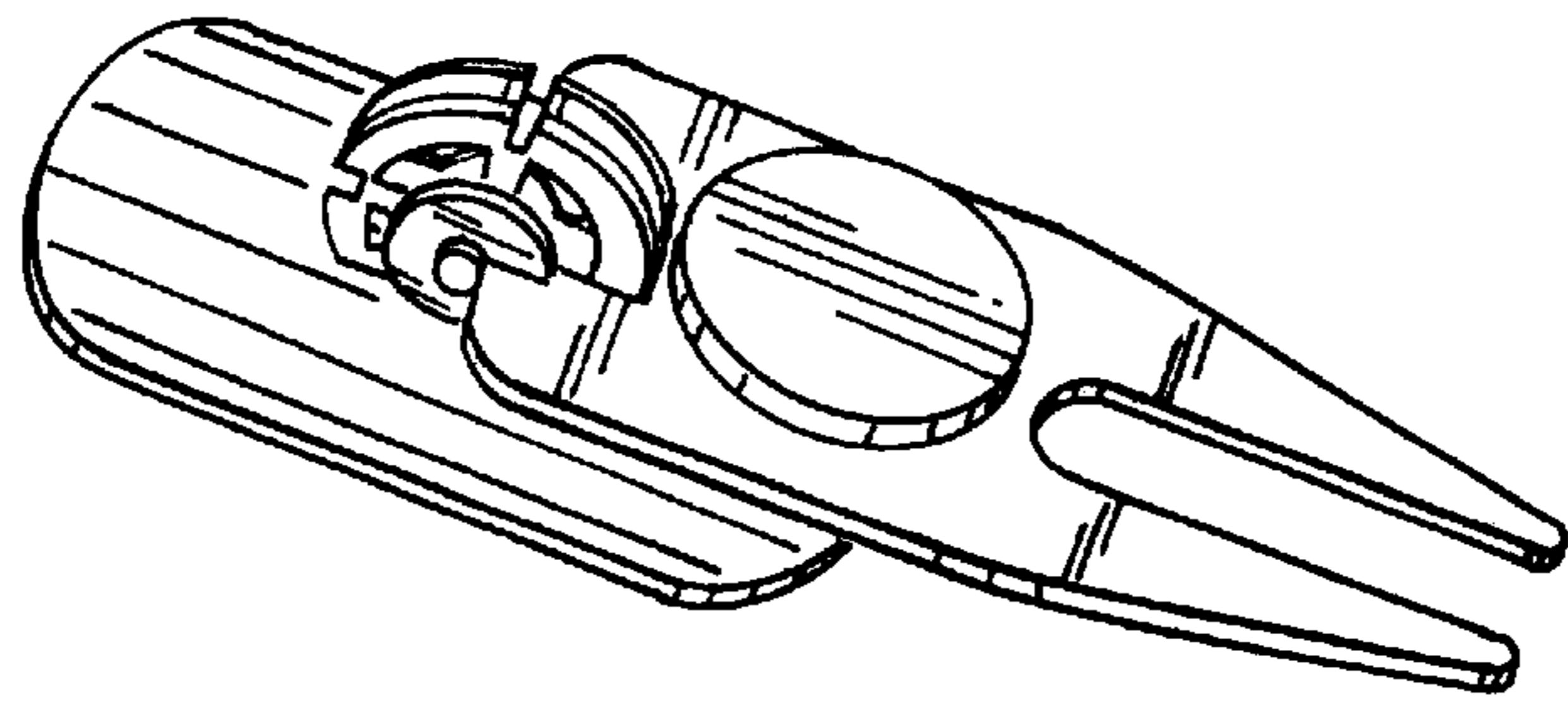


FIG. 1

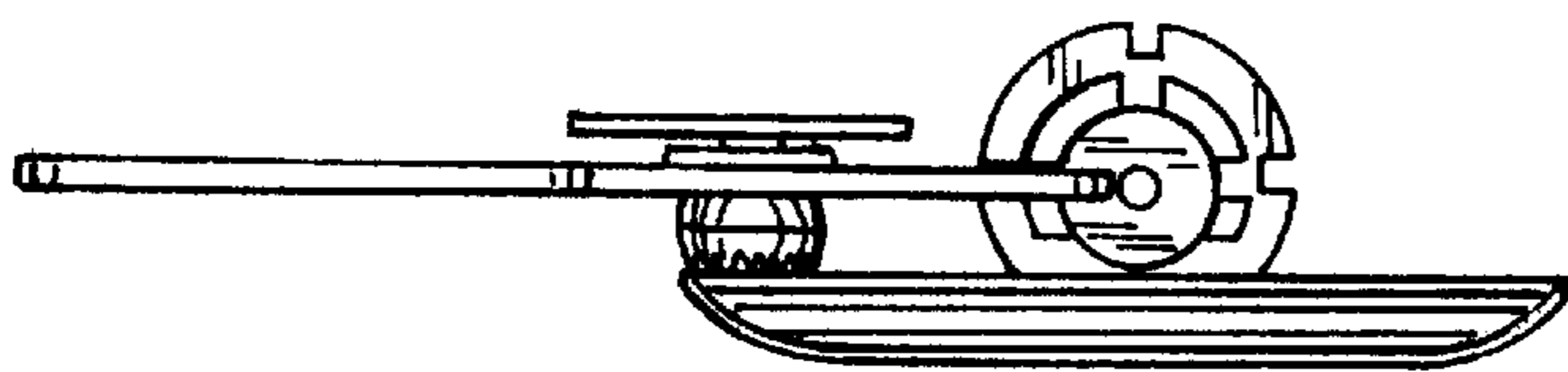


FIG. 2

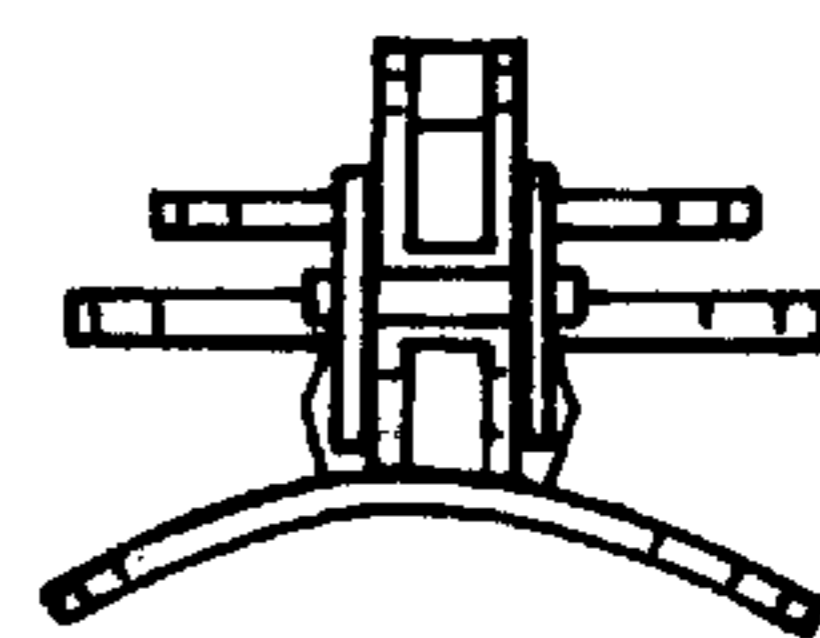


FIG. 3

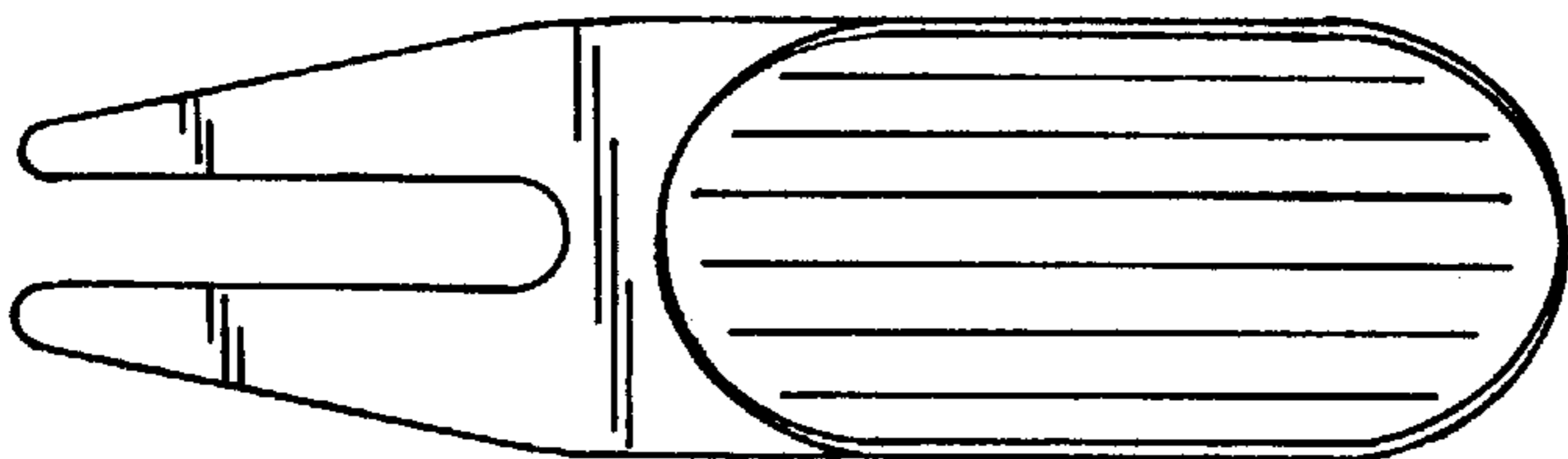


FIG. 4

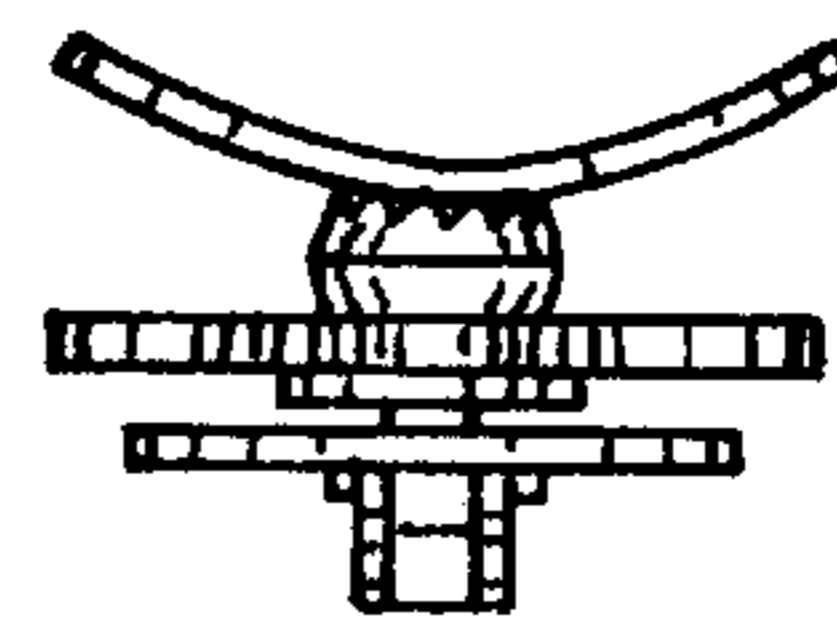


FIG. 5

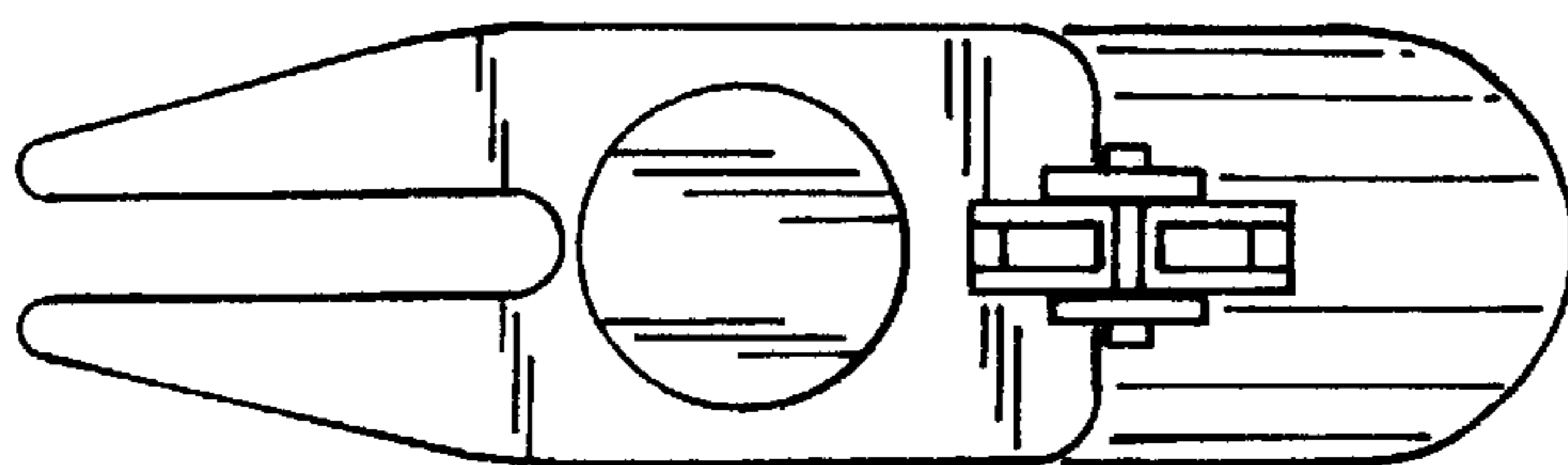


FIG. 6