



US00D438582S

(12) **United States Design Patent**
Speers, a minor et al.

(10) **Patent No.:** **US D438,582 S**

(45) **Date of Patent:** **** Mar. 6, 2001**

(54) **TETHERED BALL**

(75) Inventors: **Ryan M. Speers**, a minor, Wellesley, MA (US), by Mark S. Speers, guardian for minor; **Samuel F. Speers**, Sarasota, FL (US)

(73) Assignee: **SMR Enterprises, Inc.**, Wellesley, MA (US)

(**) Term: **14 Years**

(21) Appl. No.: **29/096,728**

(22) Filed: **Nov. 19, 1998**

(51) **LOC (7) Cl.** **21-02**

(52) **U.S. Cl.** **D21/719; D21/465**

(58) **Field of Search** D21/465, 719;
473/147, 423-430, 575; D3/207, 208, 211;
273/329, 330

(56) **References Cited**

U.S. PATENT DOCUMENTS

| | | | | | |
|-----------|---|---------|------------|-------|---------|
| 2,606,025 | * | 8/1952 | Hornig | | 473/575 |
| 3,051,491 | * | 8/1962 | Cabot | | 473/147 |
| 3,107,094 | * | 10/1963 | Kfoury | | 473/575 |
| 3,703,292 | * | 11/1972 | Starr | | 273/330 |
| 3,907,287 | * | 9/1975 | Fox et al. | | 473/424 |
| 4,093,225 | * | 6/1978 | Oliver | | 473/575 |
| 5,054,786 | * | 10/1991 | Solomon | | 473/147 |

OTHER PUBLICATIONS

Hong Kong Enterprises catalog, p. 655, Wilco Plastic & Metal Manufactory products item # 504, Feb. 1996.*

* cited by examiner

Primary Examiner—Dominic Simone

(74) *Attorney, Agent, or Firm*—Salter & Michaelson

(57) **CLAIM**

The ornamental design for a tethered ball, as shown and described.

DESCRIPTION

FIG. 1 is a perspective view of a tethered ball showing our new design;

FIG. 2 is an enlarged top plan view thereof, it being understood that the bottom plan view is a mirror image thereof;

FIG. 3 is an enlarged side elevational view thereof, it being understood that the opposite side is a mirror image thereof;

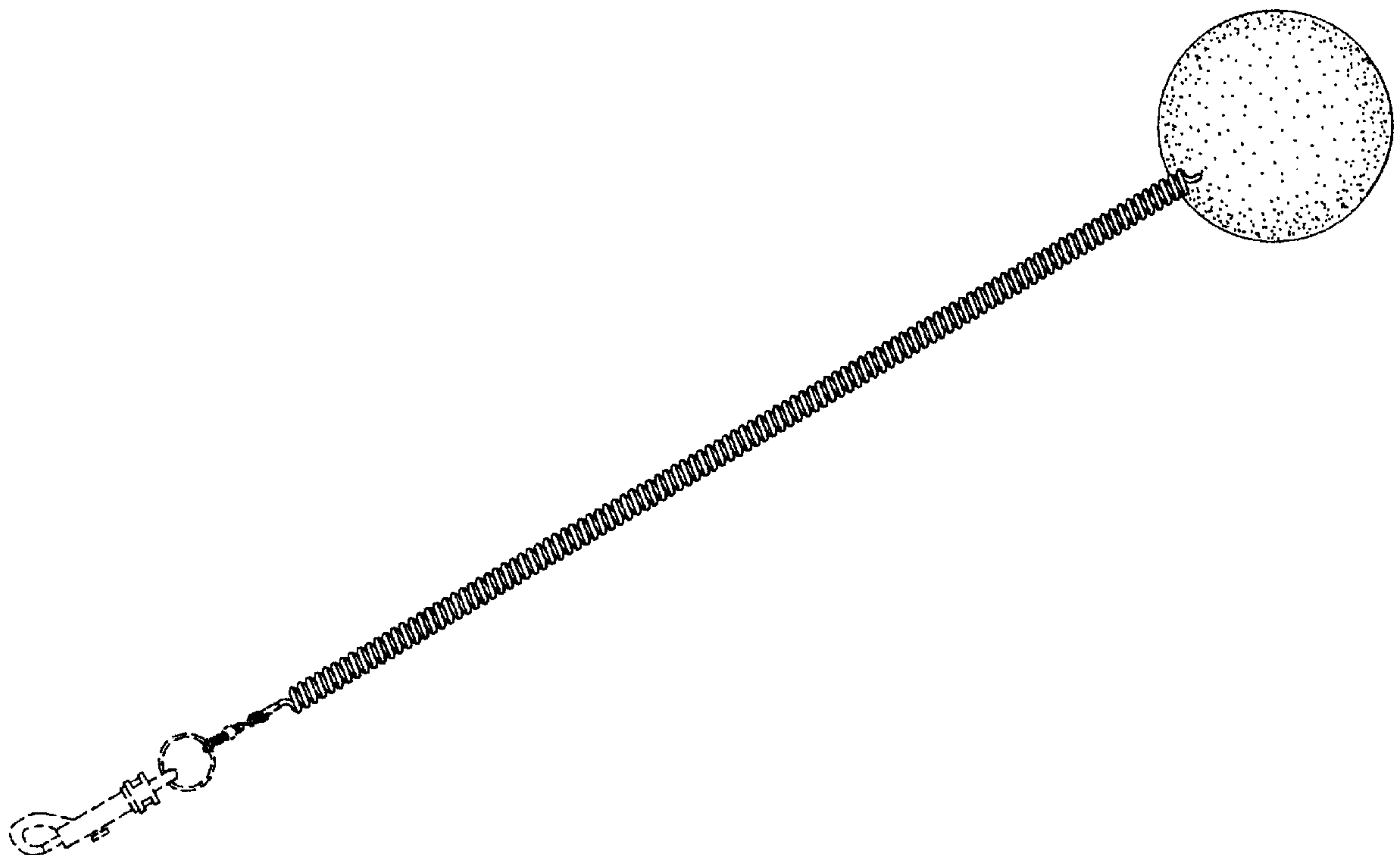
FIG. 4 is a right end view thereof; and,

FIG. 5 is a left end view thereof.

The portions shown in broken lines in FIGS. 1-3 are for information only and form no part of the instant design.

The coiled cord as shown in FIGS. 2 and 3 is broken away, but actually is the same length as the cord in FIG. 1.

1 Claim, 2 Drawing Sheets



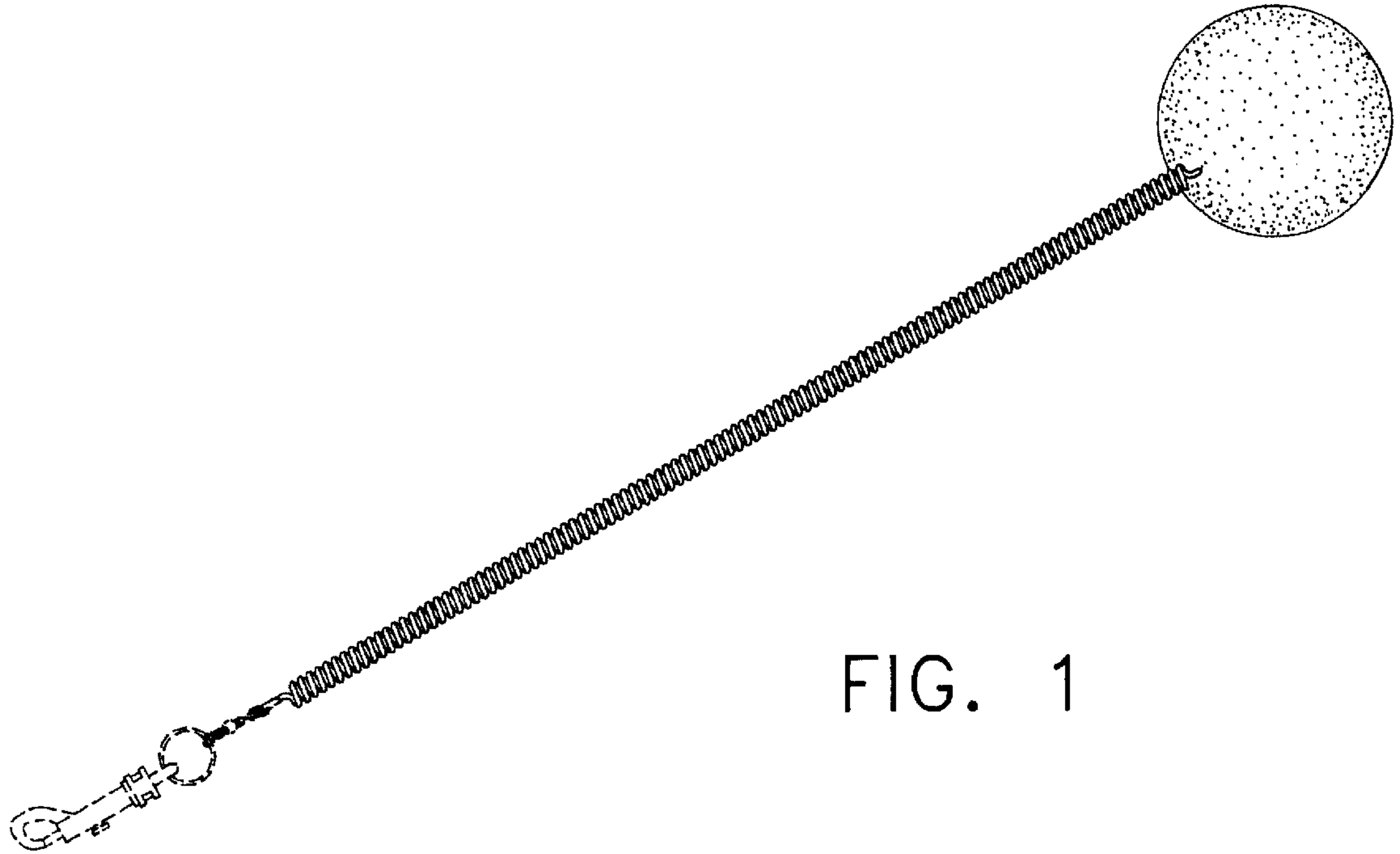


FIG. 1

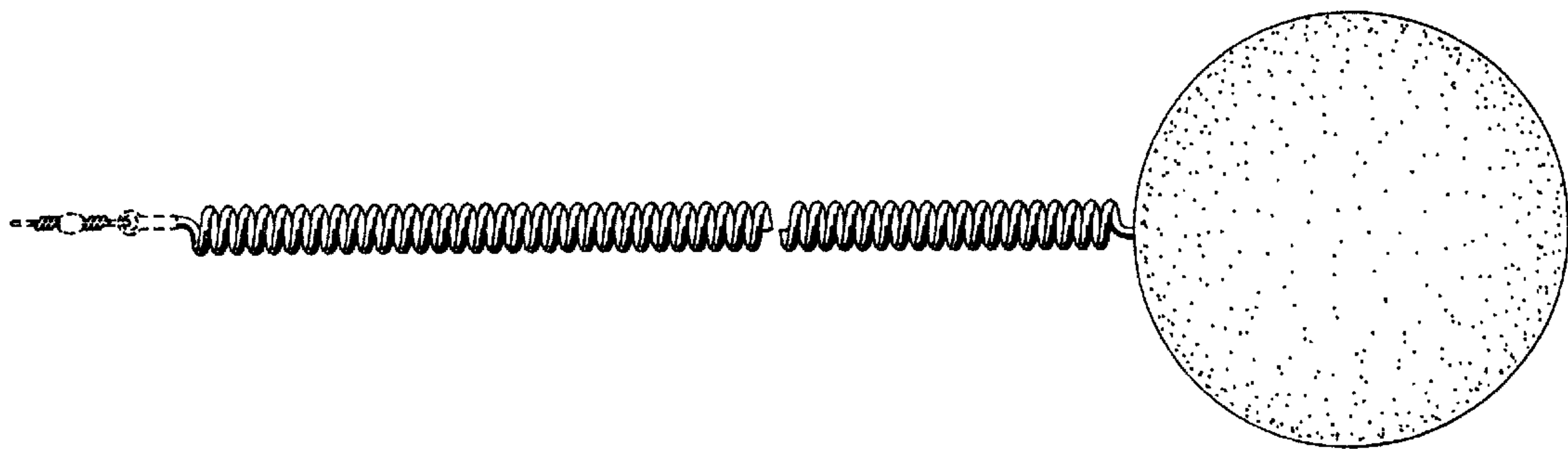


FIG. 2

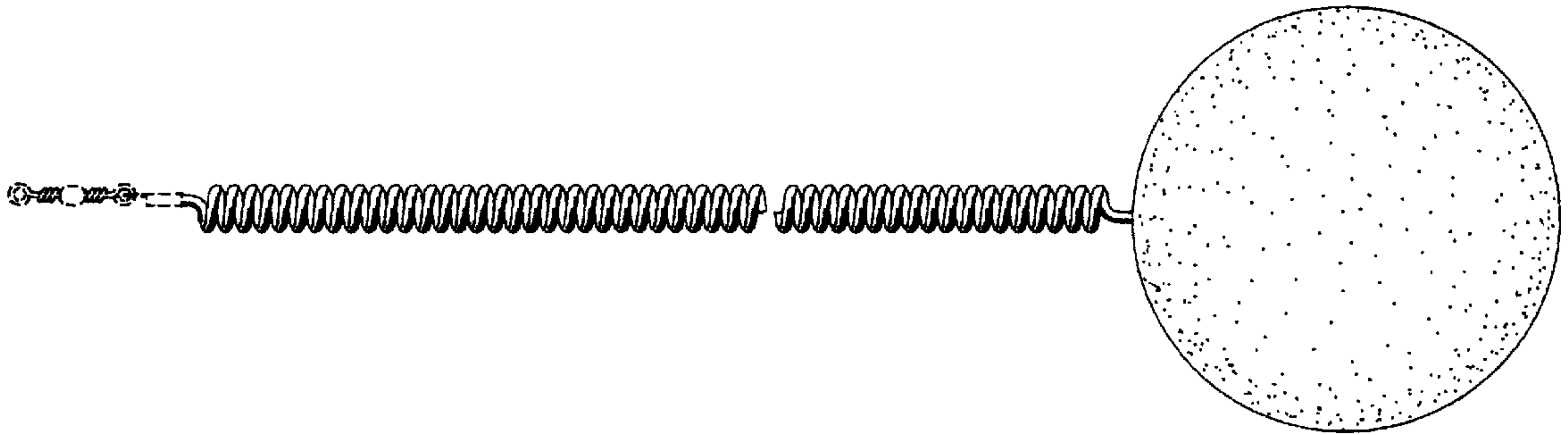


FIG. 3

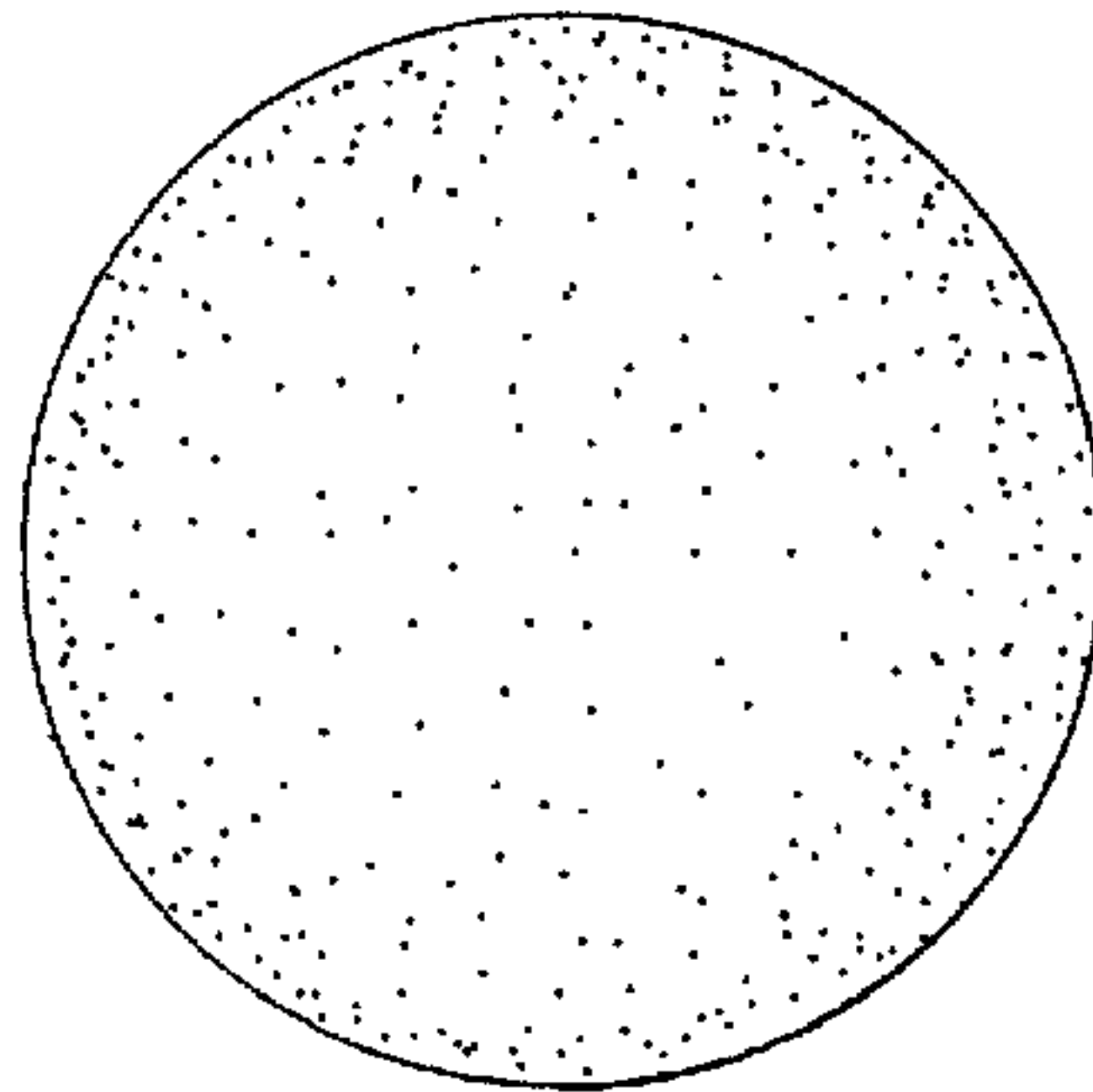


FIG. 4

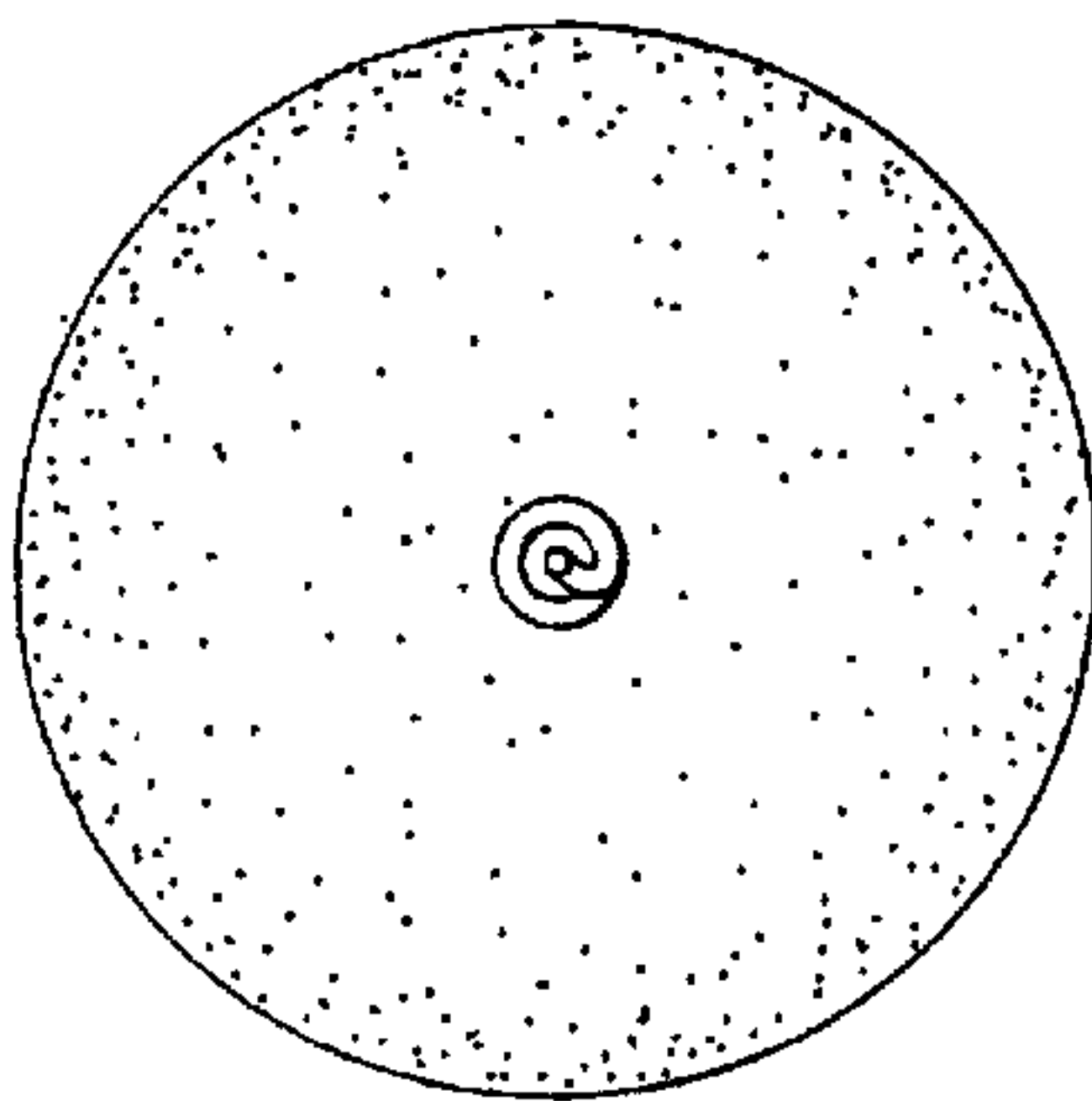


FIG. 5