



US00D438578S

(12) **United States Design Patent**
Kuo

(10) **Patent No.:** **US D438,578 S**

(45) **Date of Patent:** **** Mar. 6, 2001**

(54) **EXERCISER**

5,603,678 * 2/1997 Wilson 482/97
5,624,361 * 4/1997 Lai 482/130

(76) Inventor: **Johnson Kuo**, 5F., No. 6, Lane 12, Sec. 6, Hsin I Rd., Taipei (TW)

* cited by examiner

(**) Term: **14 Years**

Primary Examiner—Philip S. Hyder

(74) *Attorney, Agent, or Firm*—Varndell & Varndell, PLLC

(21) Appl. No.: **29/122,939**

(57) **CLAIM**

(22) Filed: **May 8, 2000**

The ornamental design for an exerciser, as shown and described.

(51) **LOC (7) Cl.** **21-02**

DESCRIPTION

(52) **U.S. Cl.** **D21/690; D21/676**

(58) **Field of Search** D21/662, 673, D21/676, 686, 687, 690; 482/129, 130, 133, 135, 137, 138, 121, 122, 123

FIG. 1 is a perspective view of an exerciser showing my new design;

FIG. 2 is a front elevational view thereof;

FIG. 3 is a rear elevational view thereof;

FIG. 4 is a top plan view thereof;

FIG. 5 is a bottom plan view thereof;

FIG. 6 is a left side elevational view thereof;

FIG. 7 is a right side elevational view thereof; and,

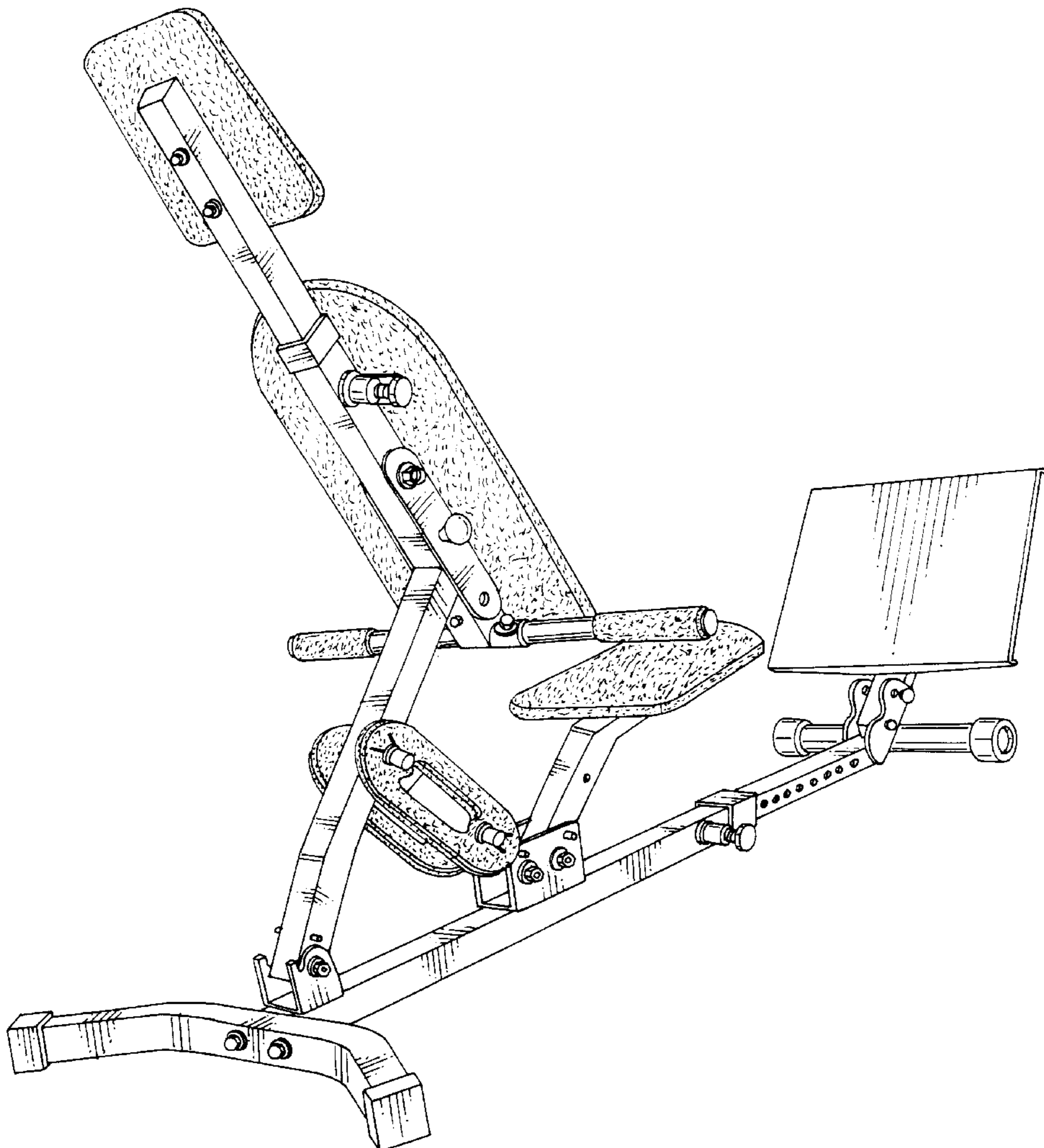
FIG. 8 illustrates a perspective view from the other side.

(56) **References Cited**

U.S. PATENT DOCUMENTS

- D. 357,955 * 5/1995 Wilson D21/690
- D. 378,387 * 3/1997 Easley et al. D21/676
- D. 380,024 * 6/1997 Novak et al. D21/690
- D. 406,290 * 3/1999 McBride D21/690

1 Claim, 8 Drawing Sheets



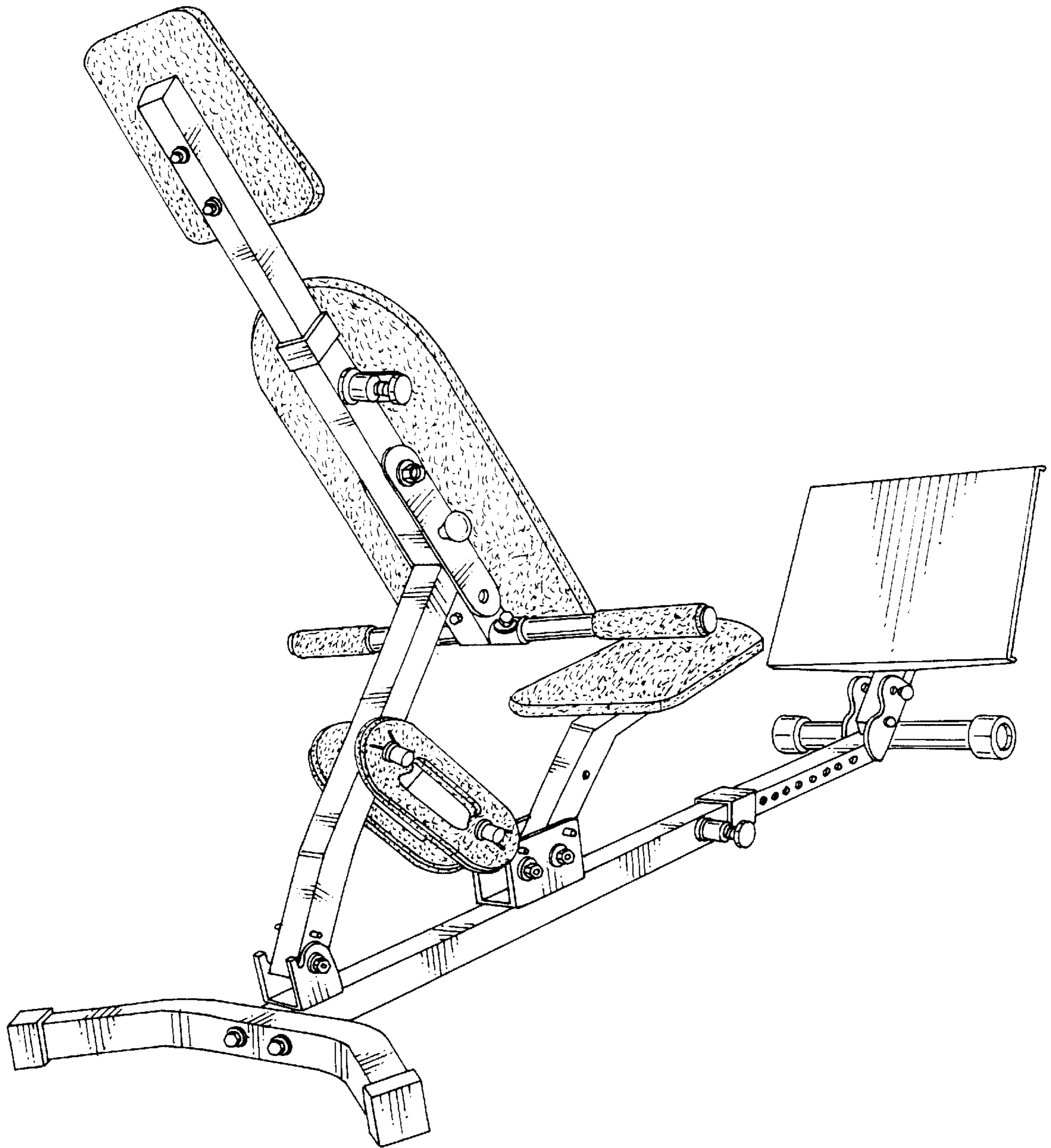


Fig. 1

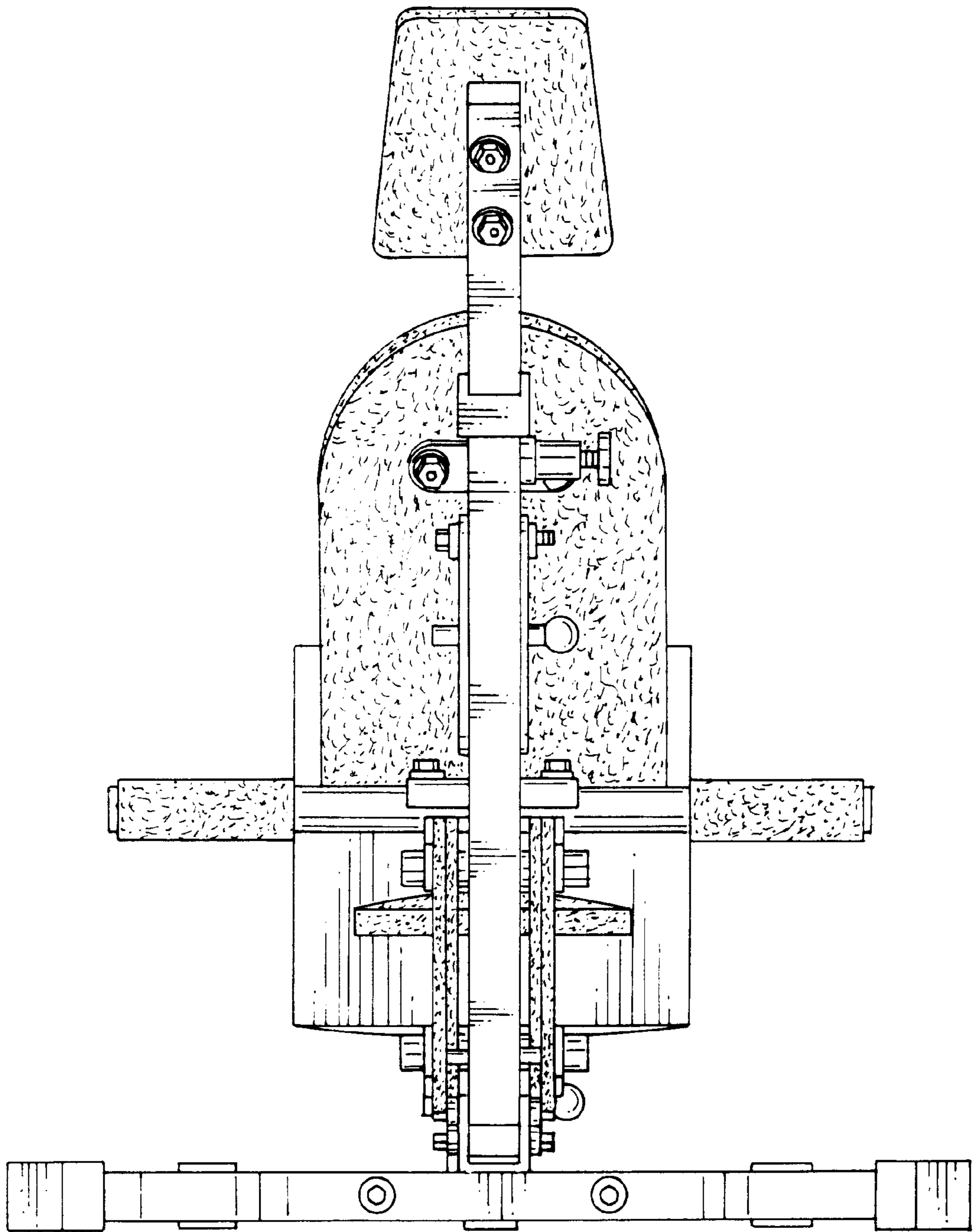


Fig. 2

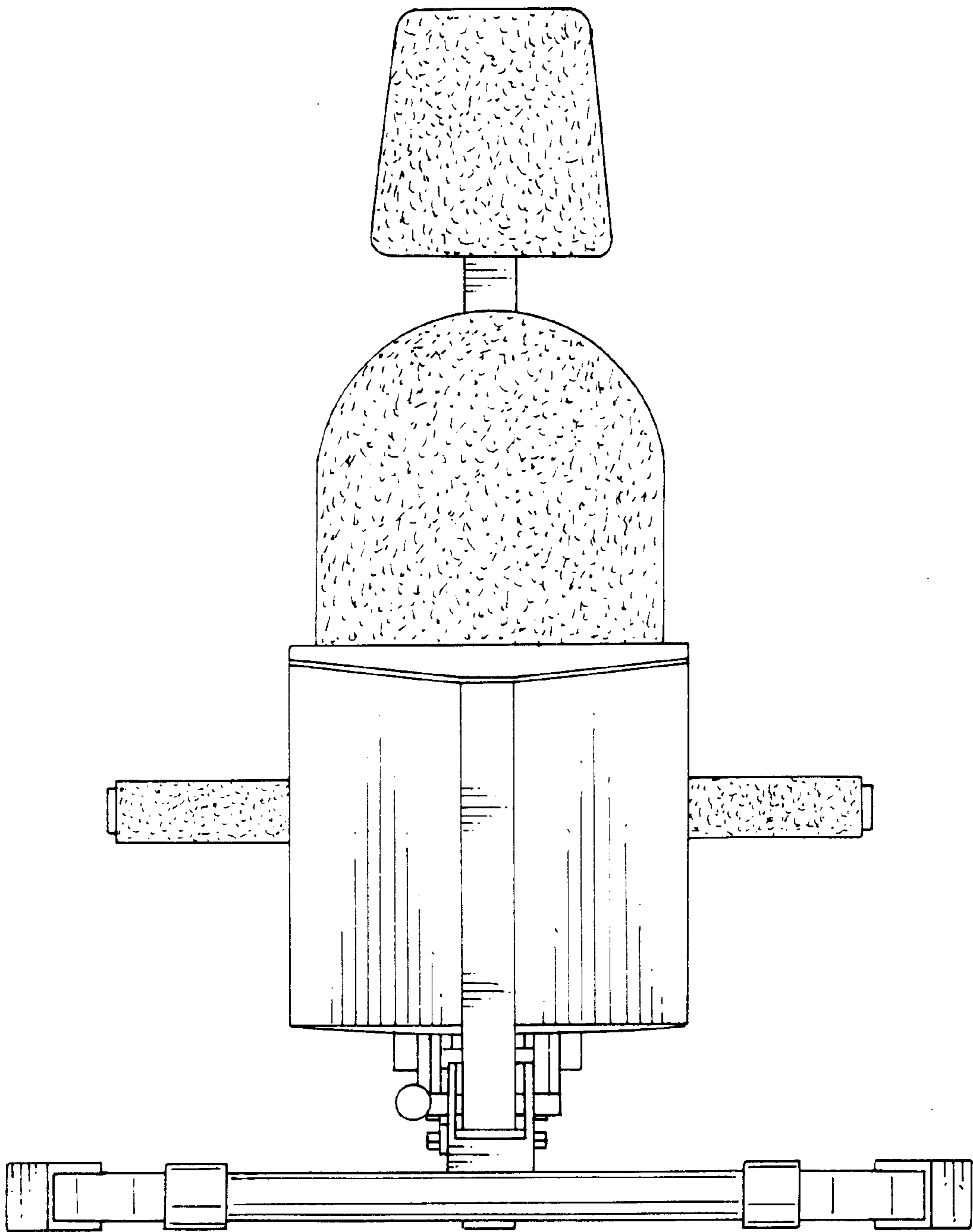


Fig. 3

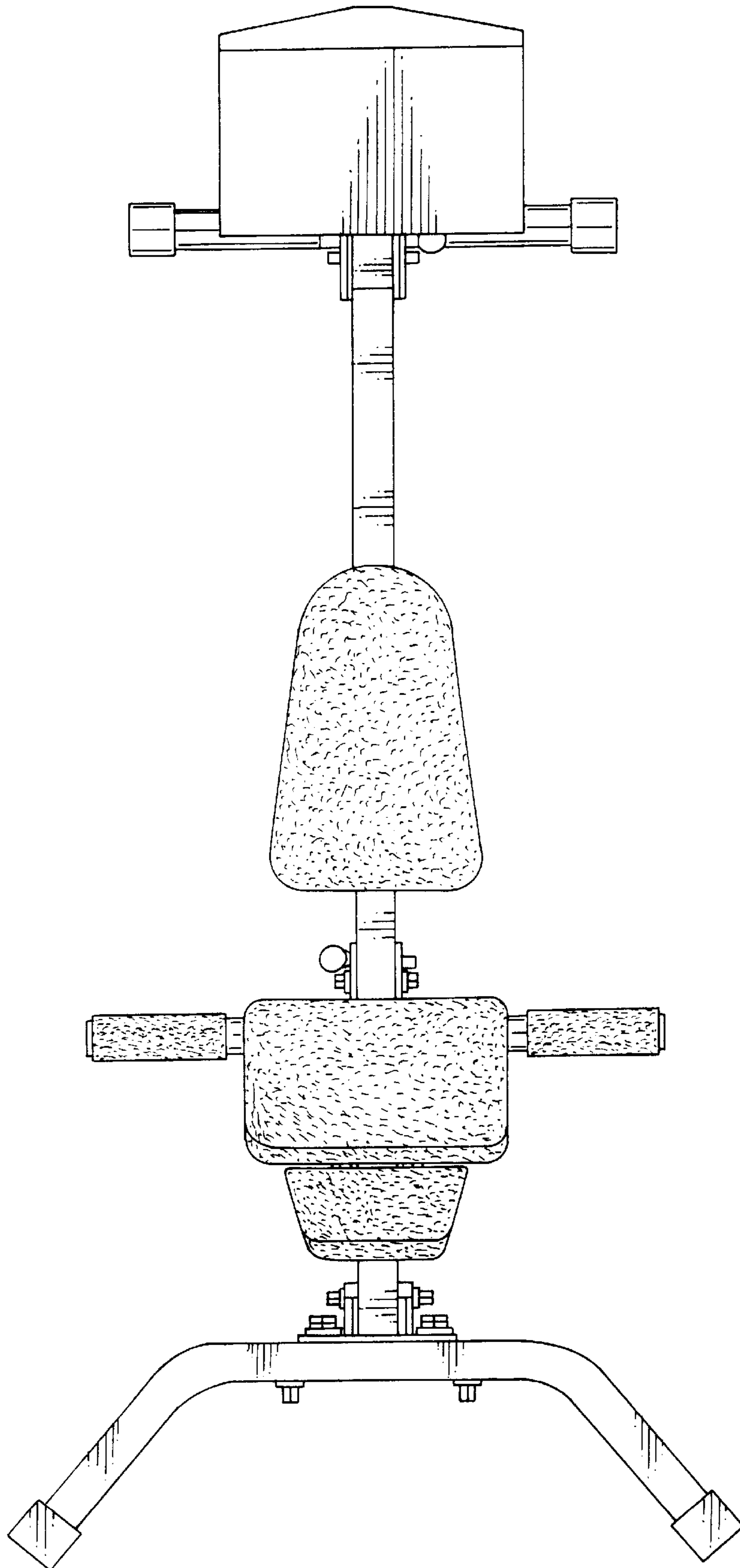


Fig. 4

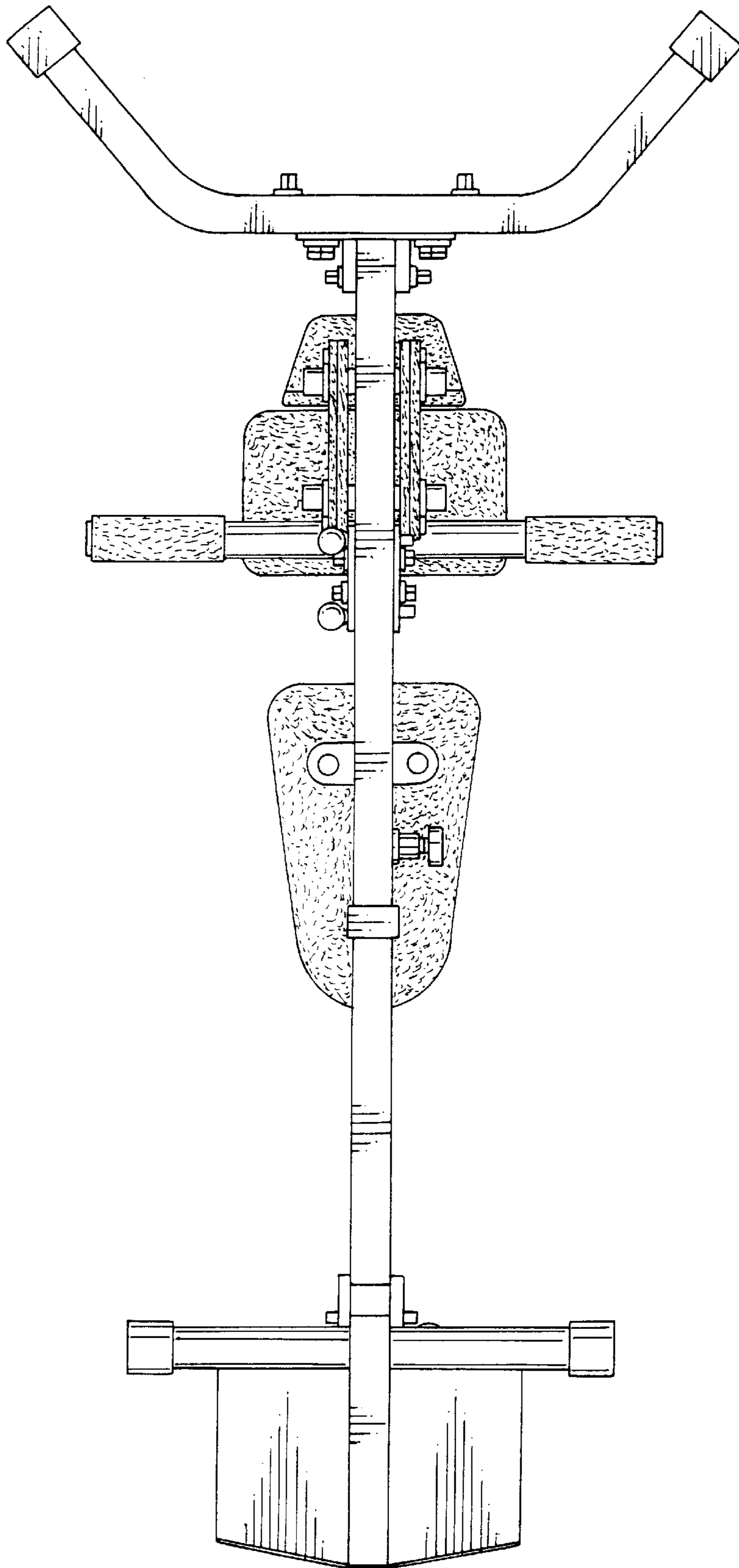


Fig. 5

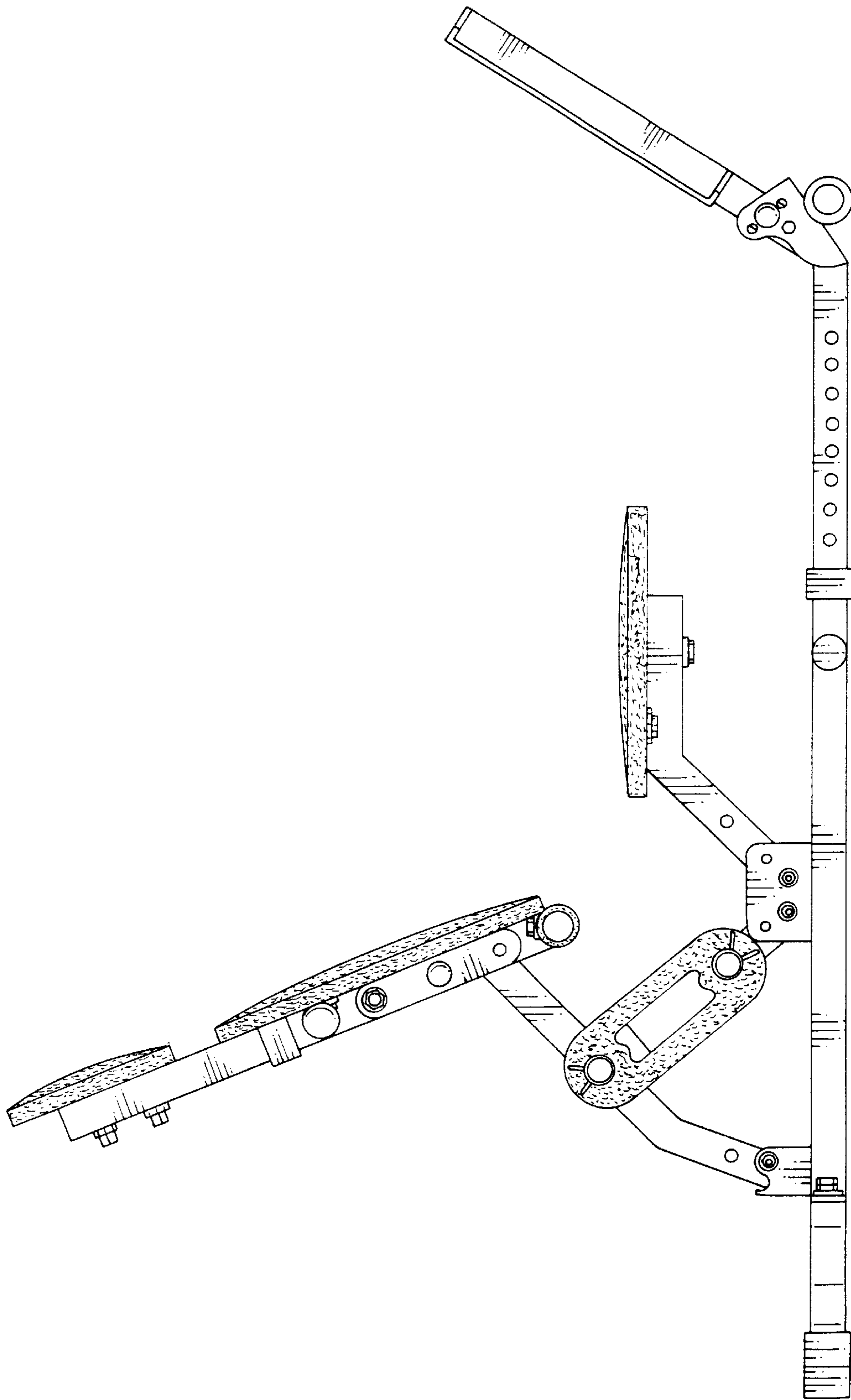


Fig. 6

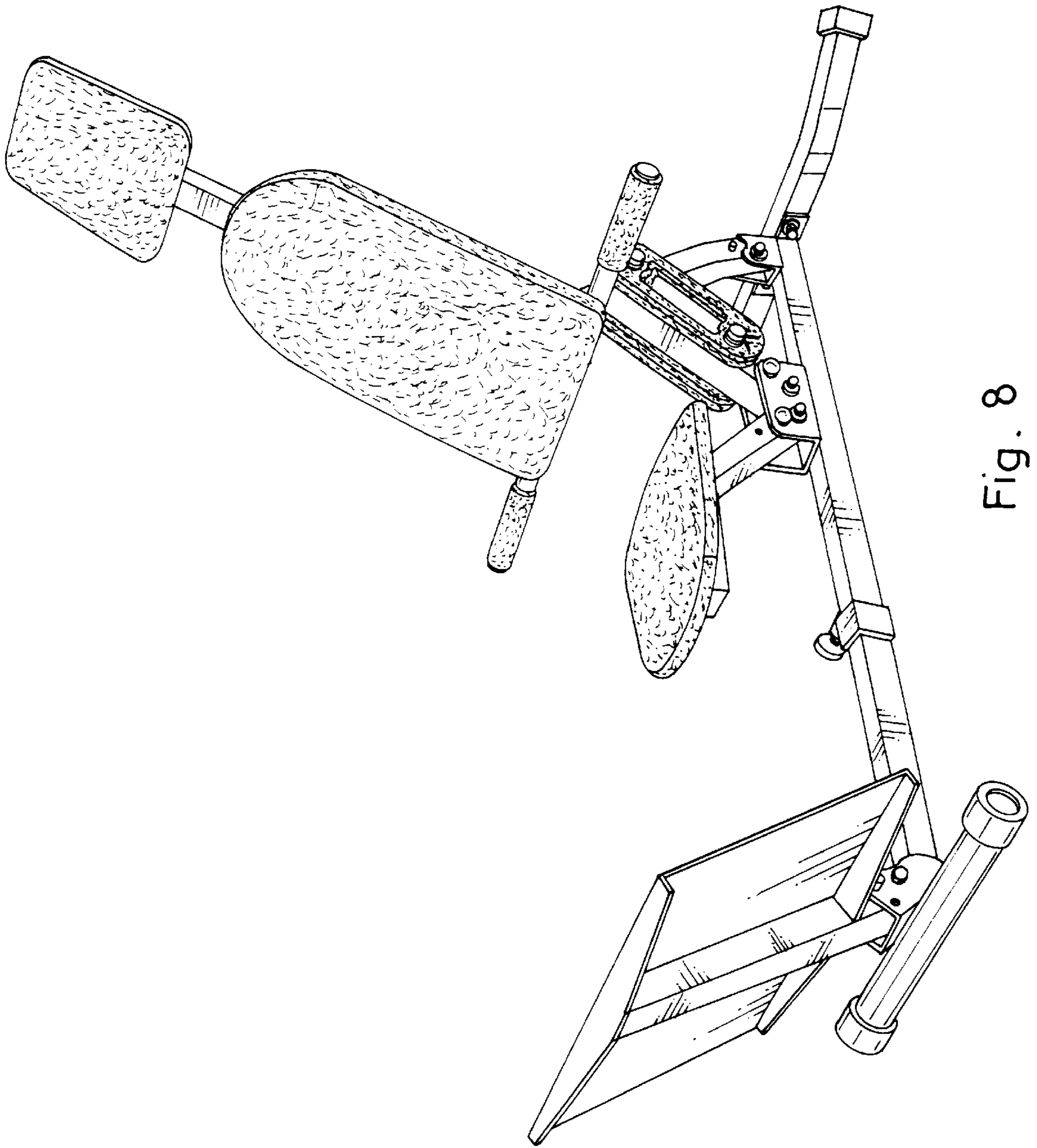


Fig. 8