



US00D438573S

(12) **United States Design Patent**
Yuan

(10) **Patent No.:** **US D438,573 S**

(45) **Date of Patent:** **** Mar. 6, 2001**

(54) **SIMULATION GAME SYSTEM CONSOLE**

(76) Inventor: **Jay C Yuan**, 45027 Cougar Cir.,
Fremont, CA (US) 94539

(**) Term: **14 Years**

(21) Appl. No.: **29/110,705**

(22) Filed: **Sep. 10, 1999**

(51) **LOC (7) Cl.** **21-01**

(52) **U.S. Cl.** **D21/324; D21/325**

(58) **Field of Search** D21/324-328,
D21/333; 273/148 B; 463/1-7, 29-35, 46,
47, 49, 50, 51, 52; 472/135, 130, 137

(56) **References Cited**

U.S. PATENT DOCUMENTS

D. 376,391	*	12/1996	Okumura	D21/326
D. 407,758	*	4/1999	Isetani et al.	D21/326
D. 407,759	*	4/1999	Isetani et al.	D21/326
3,477,713	*	11/1969	Cudmore	472/135 X
4,464,117	*	8/1984	Foerst	434/67
4,659,088		4/1987	Lee	273/310
4,960,117	*	10/1990	Moncrief et al.	273/148 B
4,995,603		2/1991	Reed	272/18

5,299,810	*	4/1994	Pierce et al.	463/2
5,515,078	*	5/1996	Greschler et al.	273/148 B X
5,745,584		4/1998	Taylor	381/90
5,772,504	*	6/1998	Machiguchi	463/6
5,807,177	*	9/1998	Takemoto et al.	463/47
5,823,876	*	12/1996	Unbehand	463/37

* cited by examiner

Primary Examiner—Prabhakar Deshmukh

(74) *Attorney, Agent, or Firm*—Intellectual Property Law Group; Otto O. Lee

(57) **CLAIM**

The ornamental design for a simulation game system console, as shown and described.

DESCRIPTION

FIG. 1 is a front elevational view of simulation game system console showing my new design; and,

FIG. 2 is a left side elevational view thereof; the right side elevational view being a mirror image thereof.

The top, bottom and rear sides are disclaimed. The broken lines showing a seat and a leg of a human figure are for illustrative purpose only and form no part of the claimed design.

1 Claim, 1 Drawing Sheet

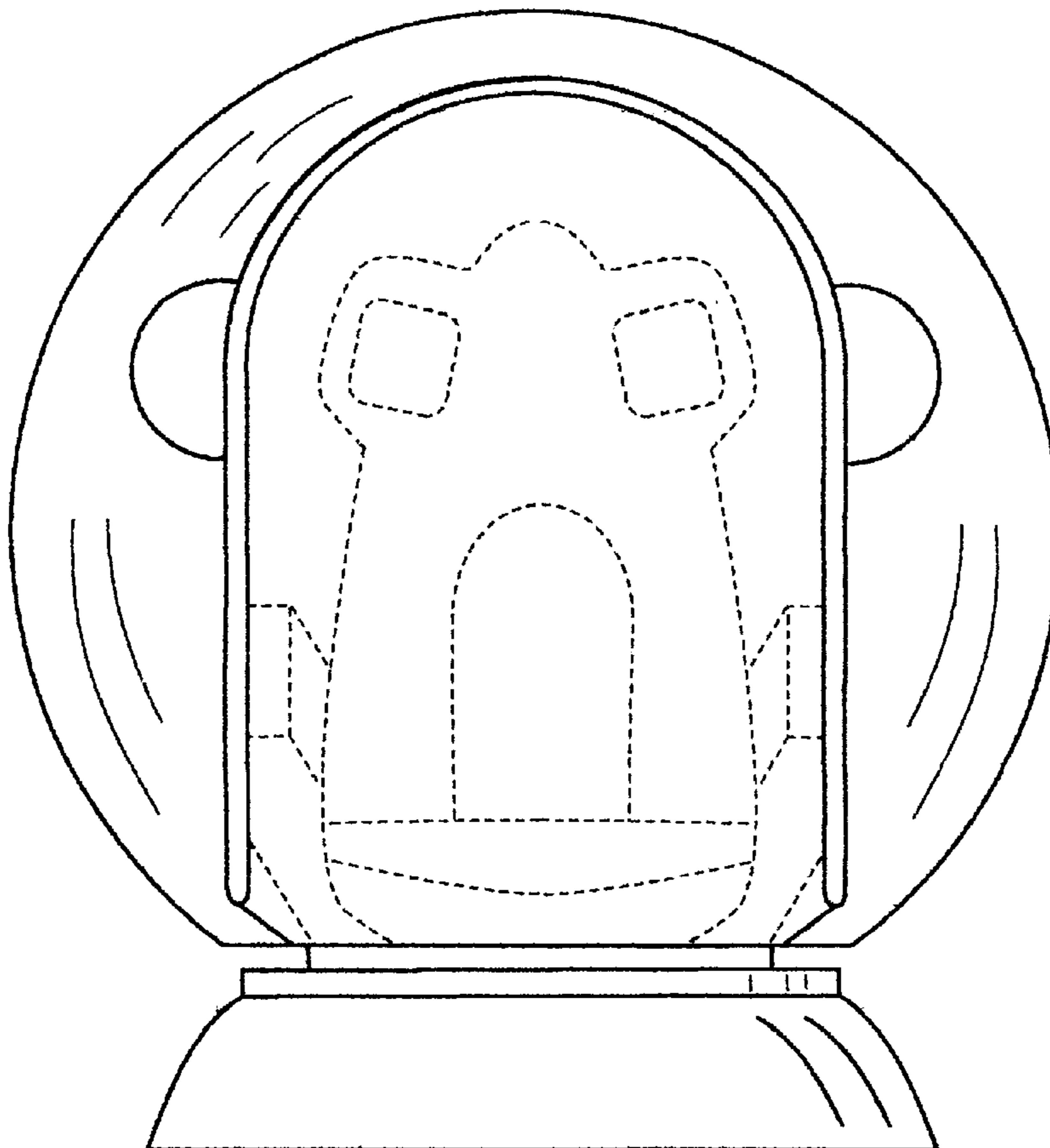


FIG. 1

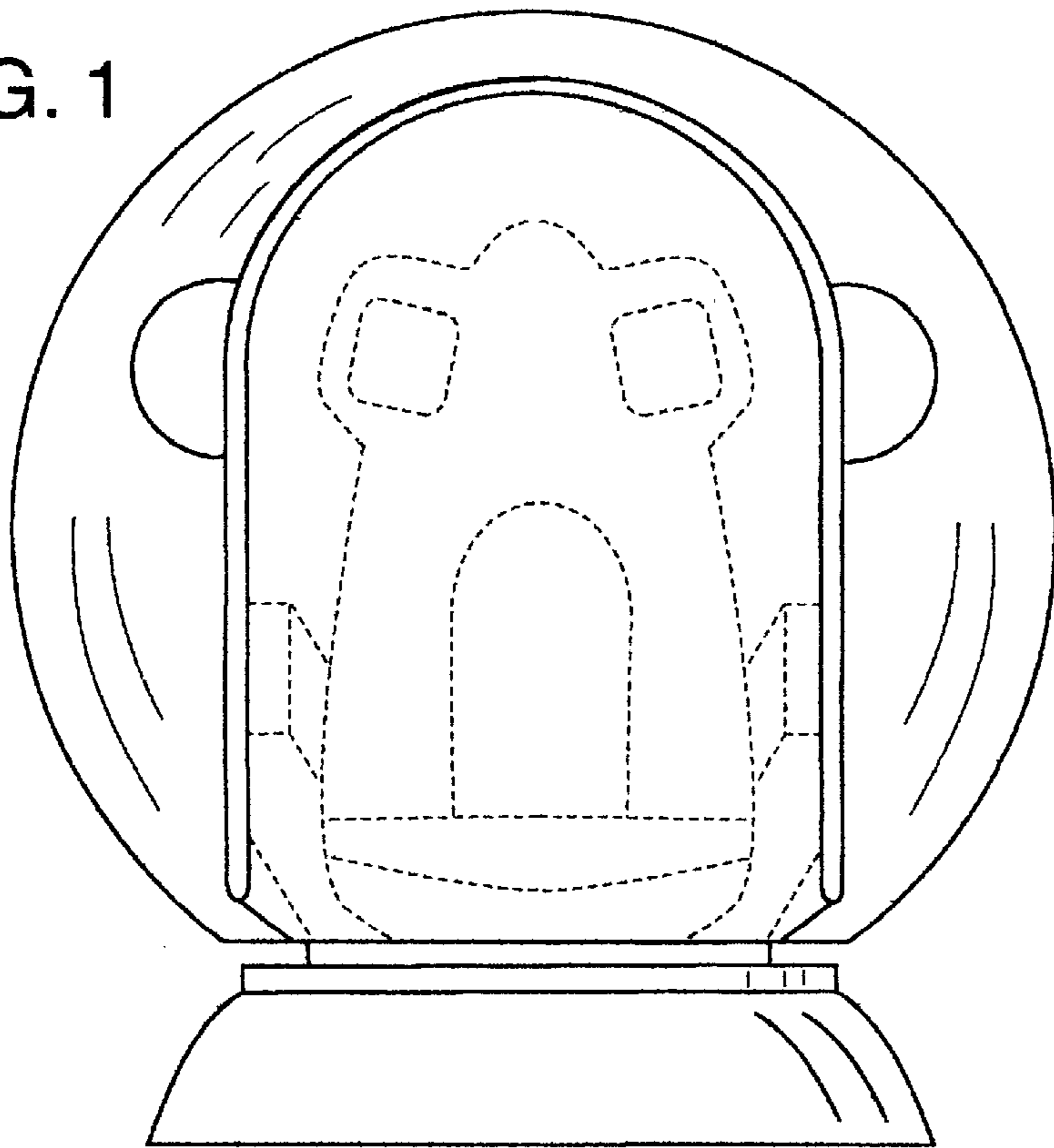


FIG. 2

