



US00D438572S

(12) **United States Design Patent**  
**Schelling et al.**

(10) **Patent No.:** **US D438,572 S**

(45) **Date of Patent:** **\*\* Mar. 6, 2001**

(54) **REAR LABEL FOR CAMERA**

(75) Inventors: **Anna C. Schelling**, Rochester; **Wayne R. Ingalls**; **James G. Rydelek**, both of Henrietta; **Anthony F. DiGaetano**, Rochester, all of NY (US)

(73) Assignee: **Eastman Kodak Company**, Rochester, NY (US)

(\*\*) Term: **14 Years**

(21) Appl. No.: **29/126,206**

(22) Filed: **Jul. 11, 2000**

(51) **LOC (7) Cl.** ..... **19-08**

(52) **U.S. Cl.** ..... **D20/22**

(58) **Field of Search** ..... D20/22-28; D16/200-205, D16/208, 209, 216-218, 237; 40/299; 396/439, 535-541

(56) **References Cited**

**U.S. PATENT DOCUMENTS**

D. 400,901 \* 11/1998 Chapman et al. .... D20/22

D. 401,259 \* 11/1998 Chapman et al. .... D20/22

D. 423,545 \* 4/2000 Schelling et al. .... D20/22

D. 425,536 \* 5/2000 Schelling et al. .... D20/22

\* cited by examiner

*Primary Examiner*—Marcus A. Jackson

(74) *Attorney, Agent, or Firm*—Roger A. Fields

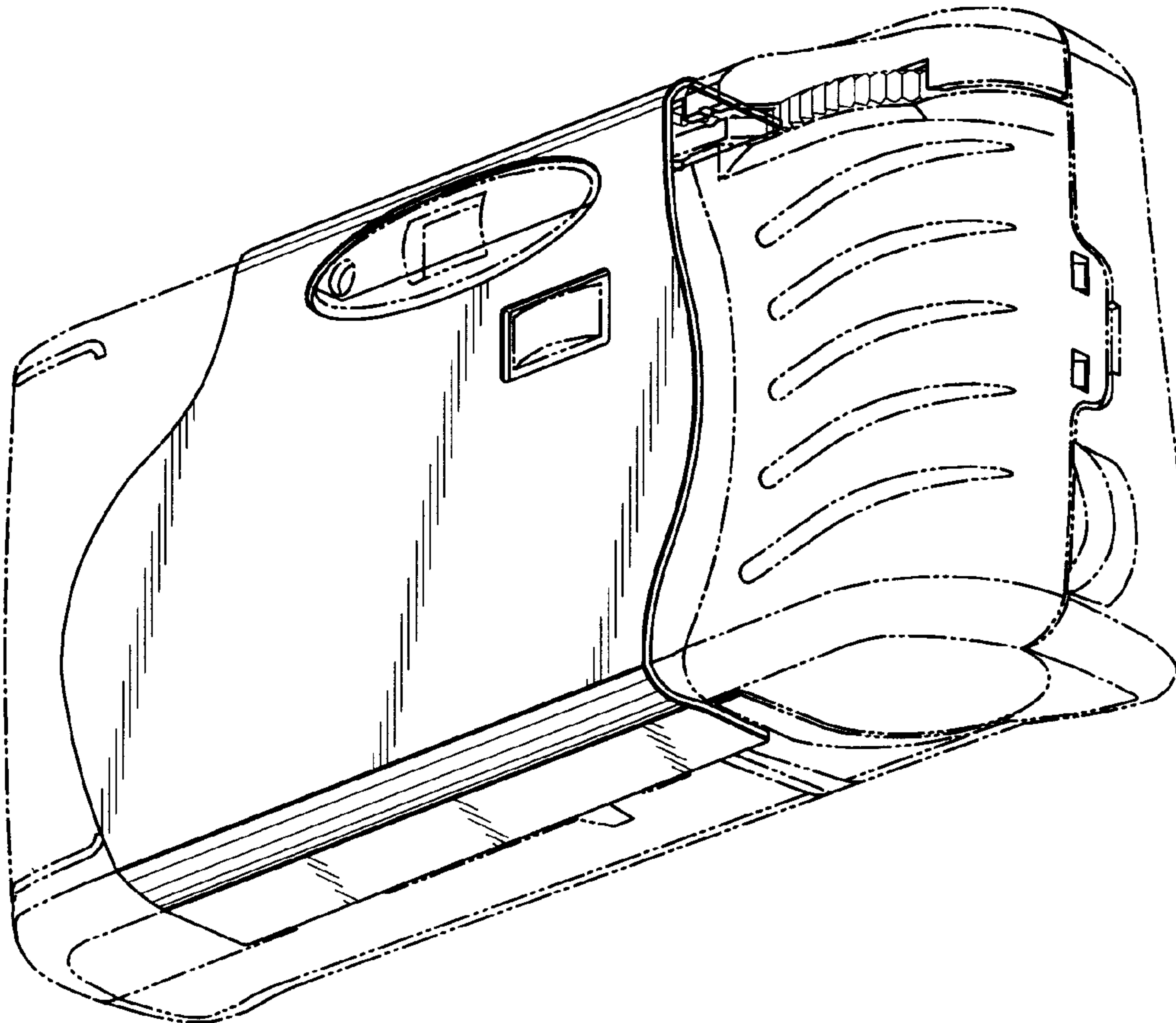
(57) **CLAIM**

The ornamental design for a rear label for camera, as shown and described.

**DESCRIPTION**

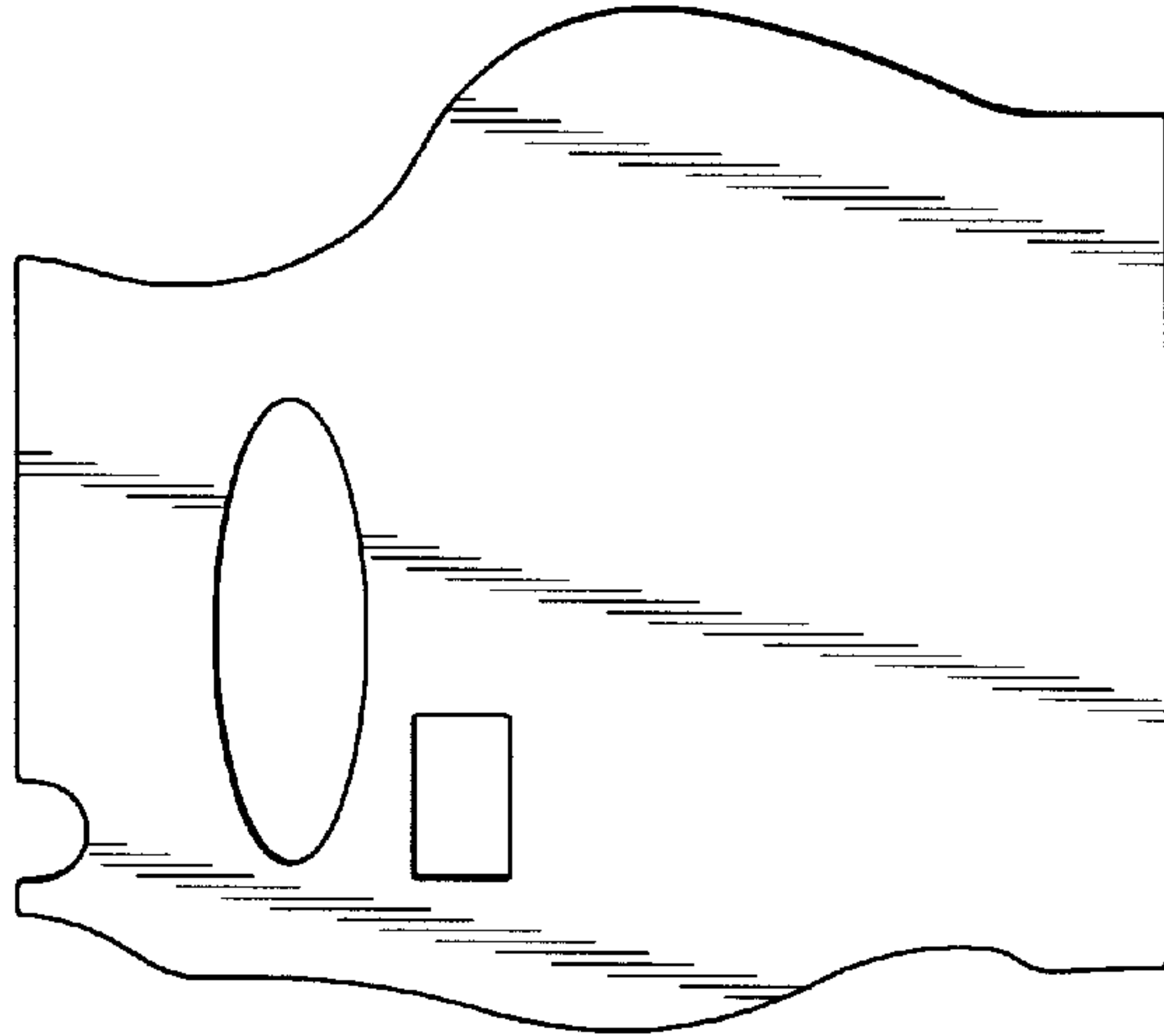
FIG. 1 a front elevation view of a rear label for a camera showing our new design;  
FIG. 2 is a top plan view thereof;  
FIG. 3 is a bottom plan view thereof;  
FIG. 4 is a left-side elevation view thereof;  
FIG. 5 is a right-side elevation view thereof; and,  
FIG. 6 is a perspective view thereof, the broken line showing of a camera is for illustrative purposes only and forms no part of the claimed design.

**1 Claim, 2 Drawing Sheets**





**FIG. 2**



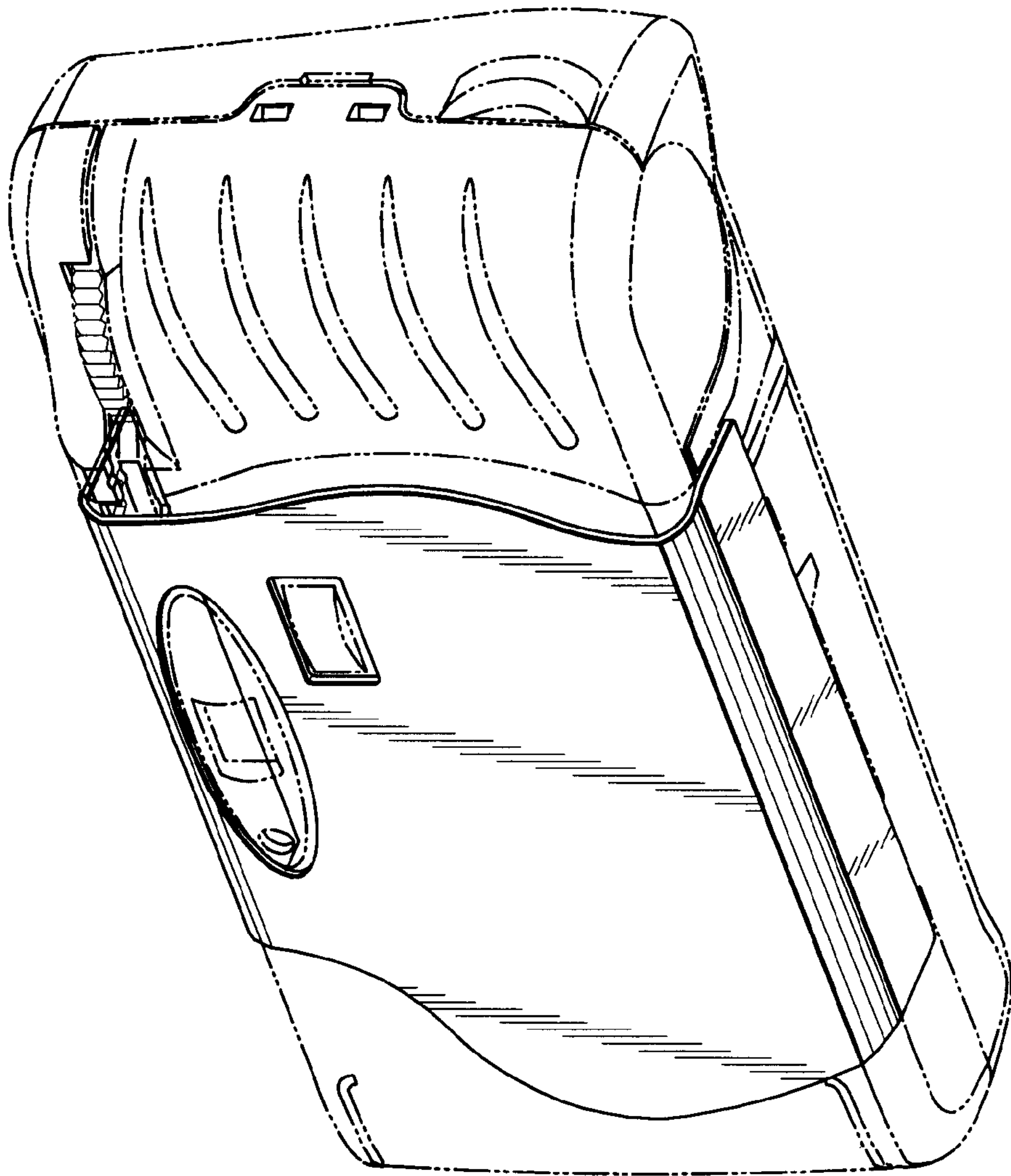
**FIG. 1**

**FIG. 5**



**FIG. 3**

**FIG. 4**



**FIG. 6**