



US00D438570S

(12) **United States Design Patent**
Stephanian

(10) **Patent No.:** **US D438,570 S**

(45) **Date of Patent:** **** Mar. 6, 2001**

(54) **PORTABLE SIGN**

FOREIGN PATENT DOCUMENTS

(76) Inventor: **David Stephanian**, 3931 Germantown Rd., Edgewater, MD (US) 21037

2419355 11/1979 (FR) .
2609199 7/1988 (FR) .

(**) Term: **14 Years**

* cited by examiner

(21) Appl. No.: **29/123,620**

Primary Examiner—Marcus A. Jackson

(22) Filed: **May 23, 2000**

(74) *Attorney, Agent, or Firm*—Stephen R. Greiner

(51) **LOC (7) Cl.** **19-08**

(52) **U.S. Cl.** **D20/10**

(58) **Field of Search** D20/10, 40, 41;
40/603, 606, 584, 624; 116/63 P, 63 R

(57) **CLAIM**

The ornamental design for a portable sign, as shown and described.

DESCRIPTION

(56) **References Cited**

U.S. PATENT DOCUMENTS

D. 94,354	1/1935	Klotz .	
D. 312,097	11/1990	Robinson .	
D. 384,979	* 10/1997	Greene, Jr.	D20/41
D. 396,252	* 7/1998	Geier et al.	D20/10
D. 427,242	* 6/2000	Pettesch	D20/10
1,058,348	4/1913	Blumenthal .	
1,835,218	12/1931	Holmgreen et al. .	
3,024,552	3/1962	MacLea .	
5,927,676	7/1999	Lefton .	

FIG. 1 is a perspective view of a portable sign showing my new design;
FIG. 2 is a right side elevational view with the left side being a mirror image thereof;
FIG. 3 is a front elevational view thereof;
FIG. 4 is a top view thereof;
FIG. 5 is a rear elevational view thereof; and,
FIG. 6 is a bottom view thereof.

The broken line showing of a placard and placard retaining straps in FIGS. 1, 3 and 5 is for demonstrative purposes and forms no part of the claimed design.

1 Claim, 3 Drawing Sheets

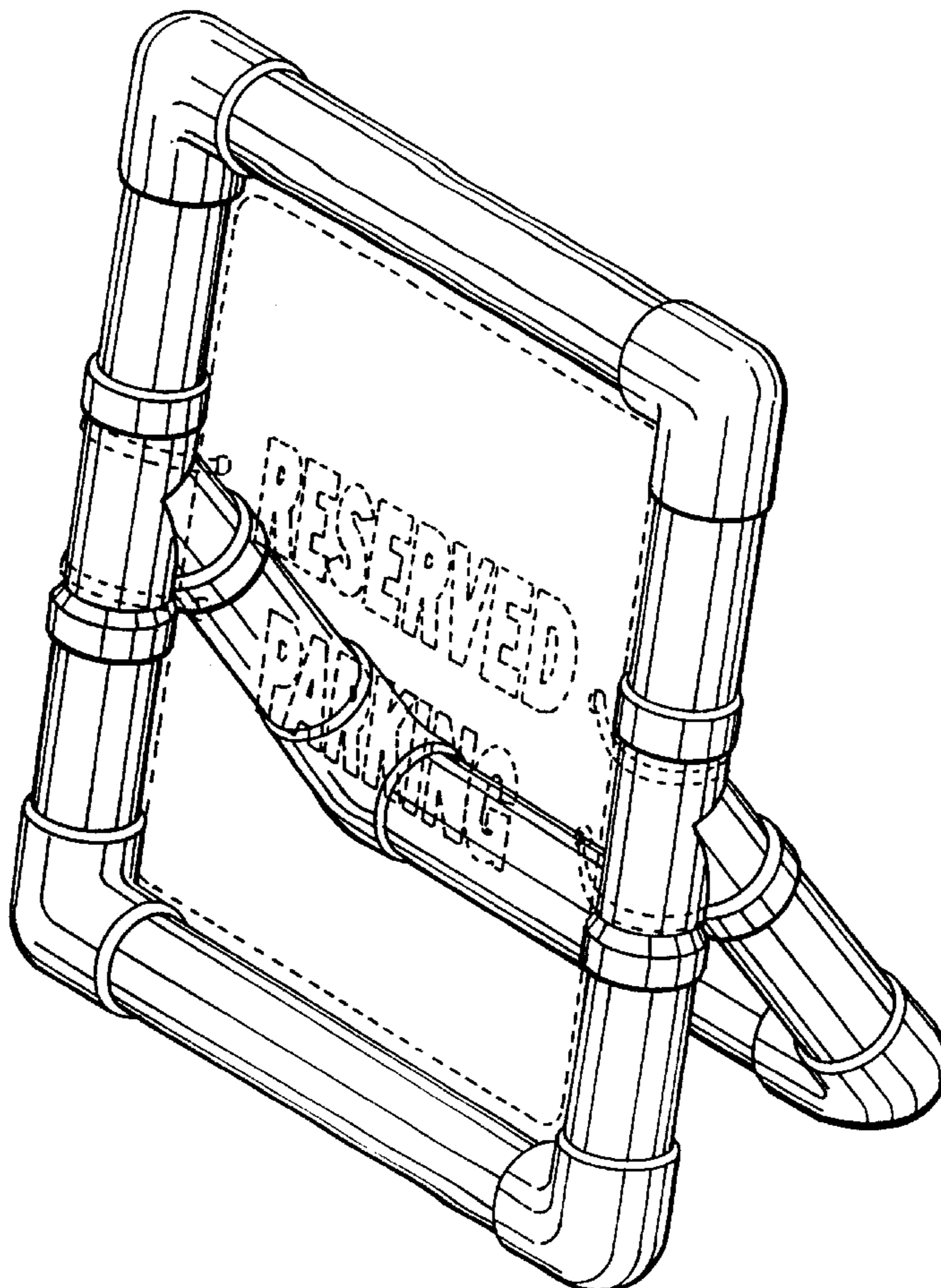


FIG. 1

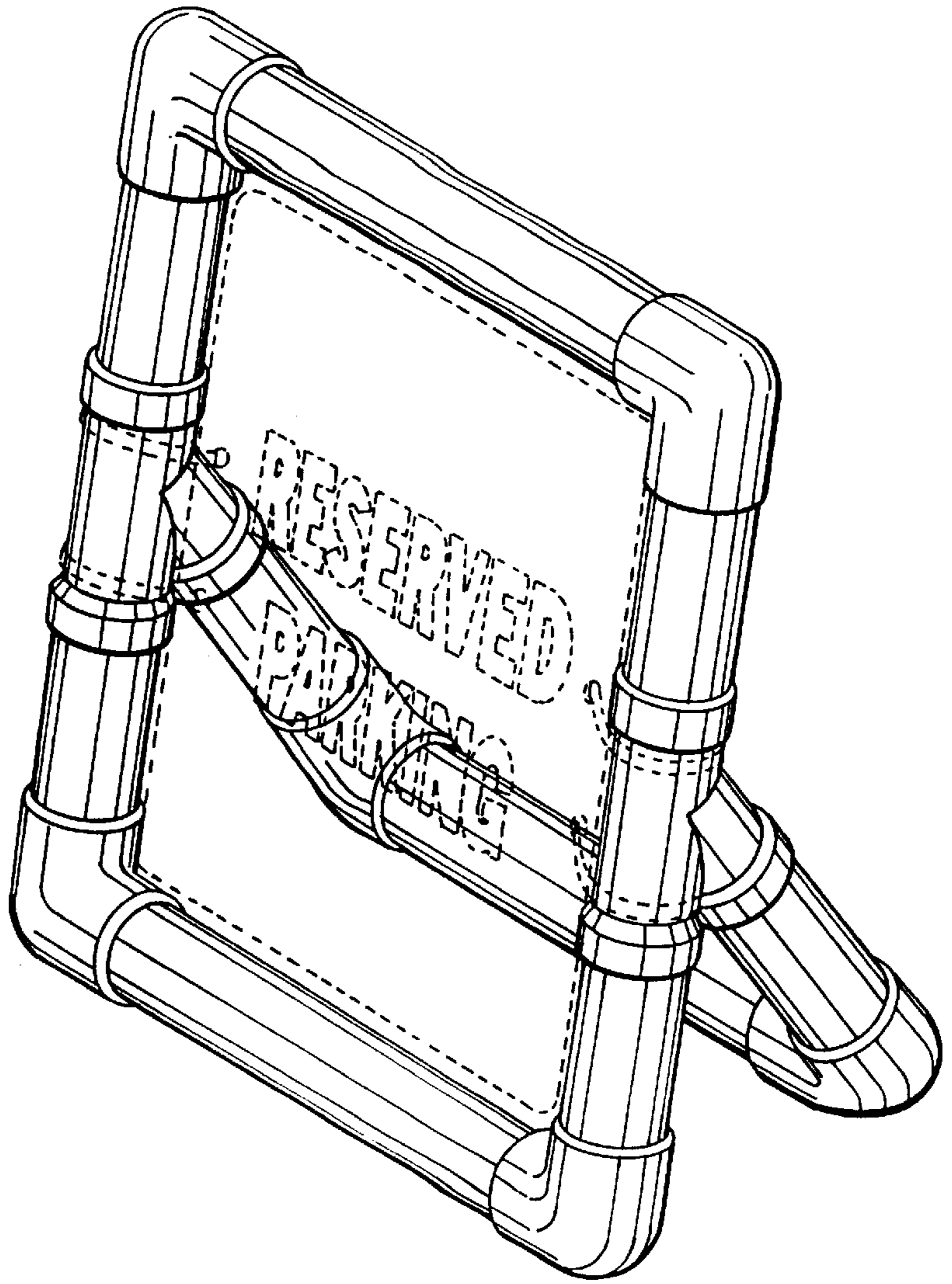
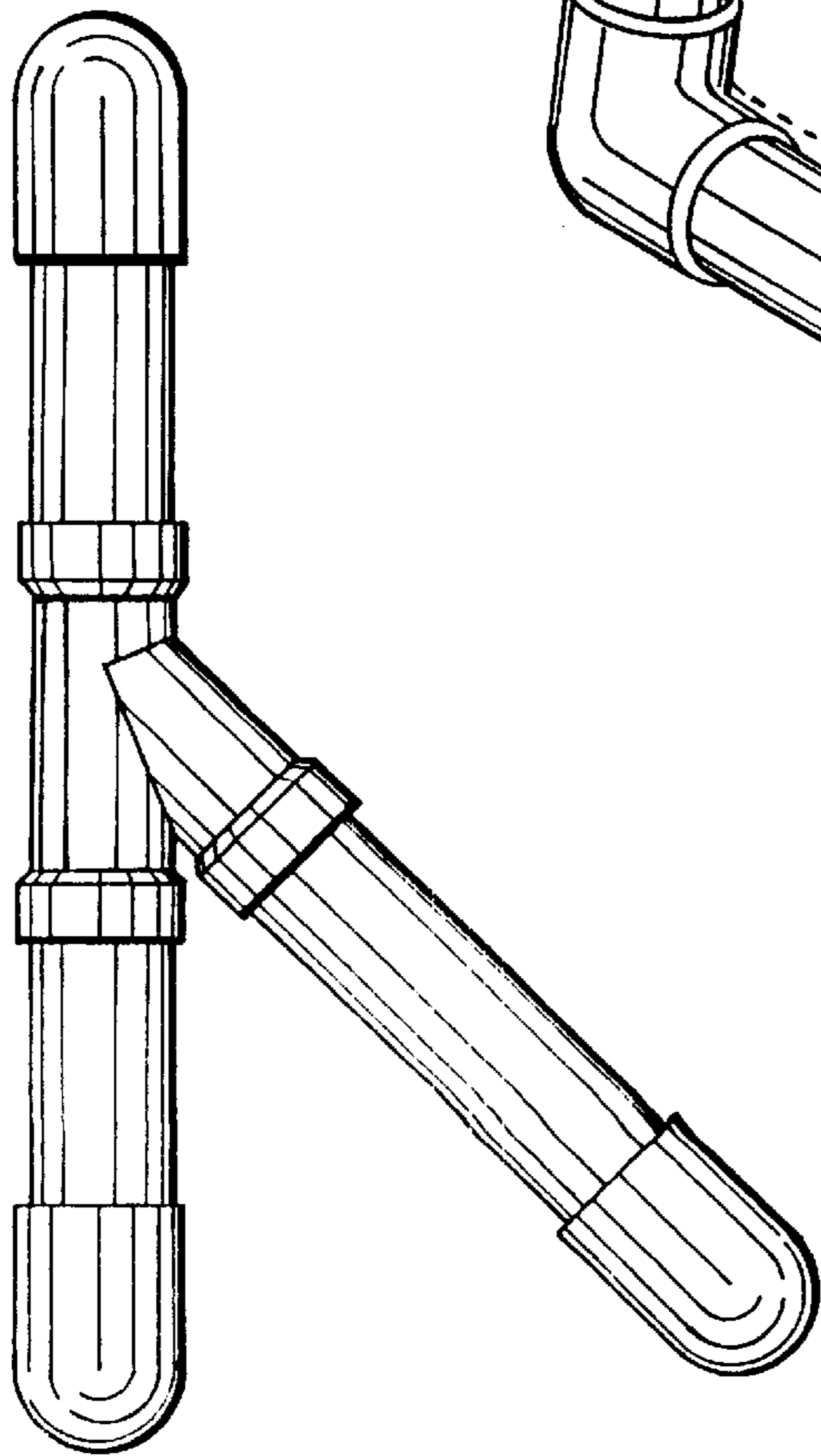


FIG. 2



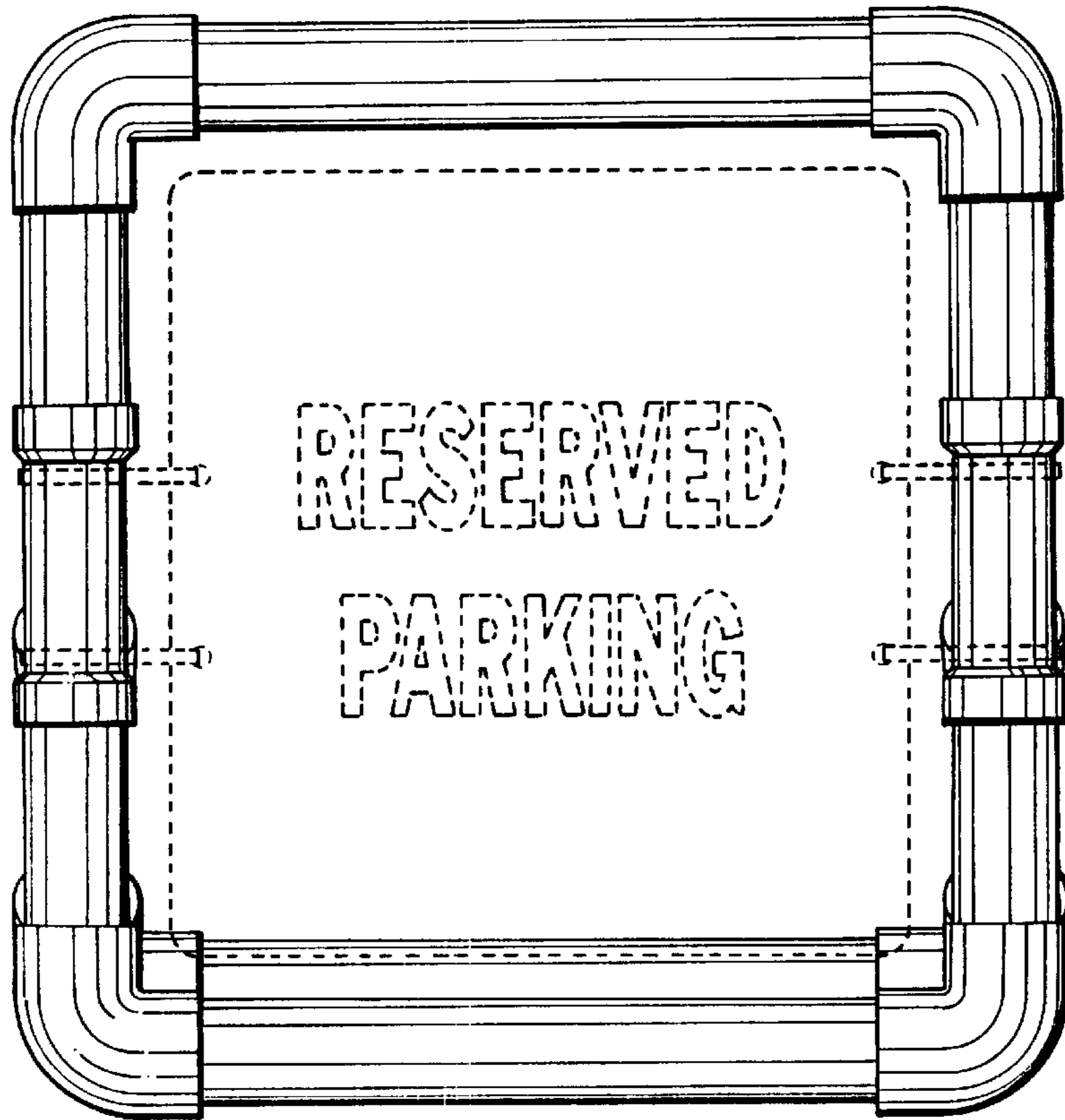


FIG. 3

FIG. 4

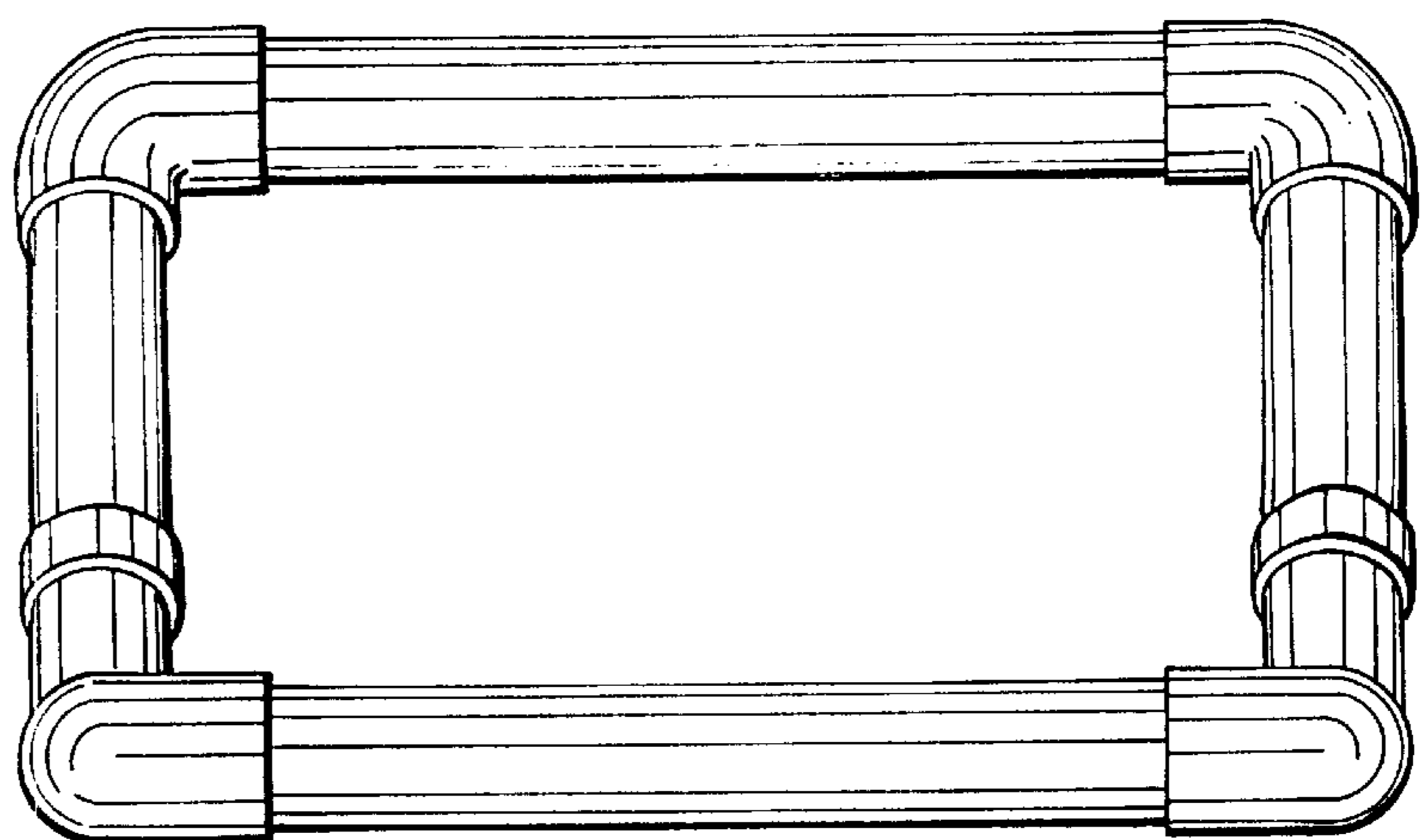


FIG. 5

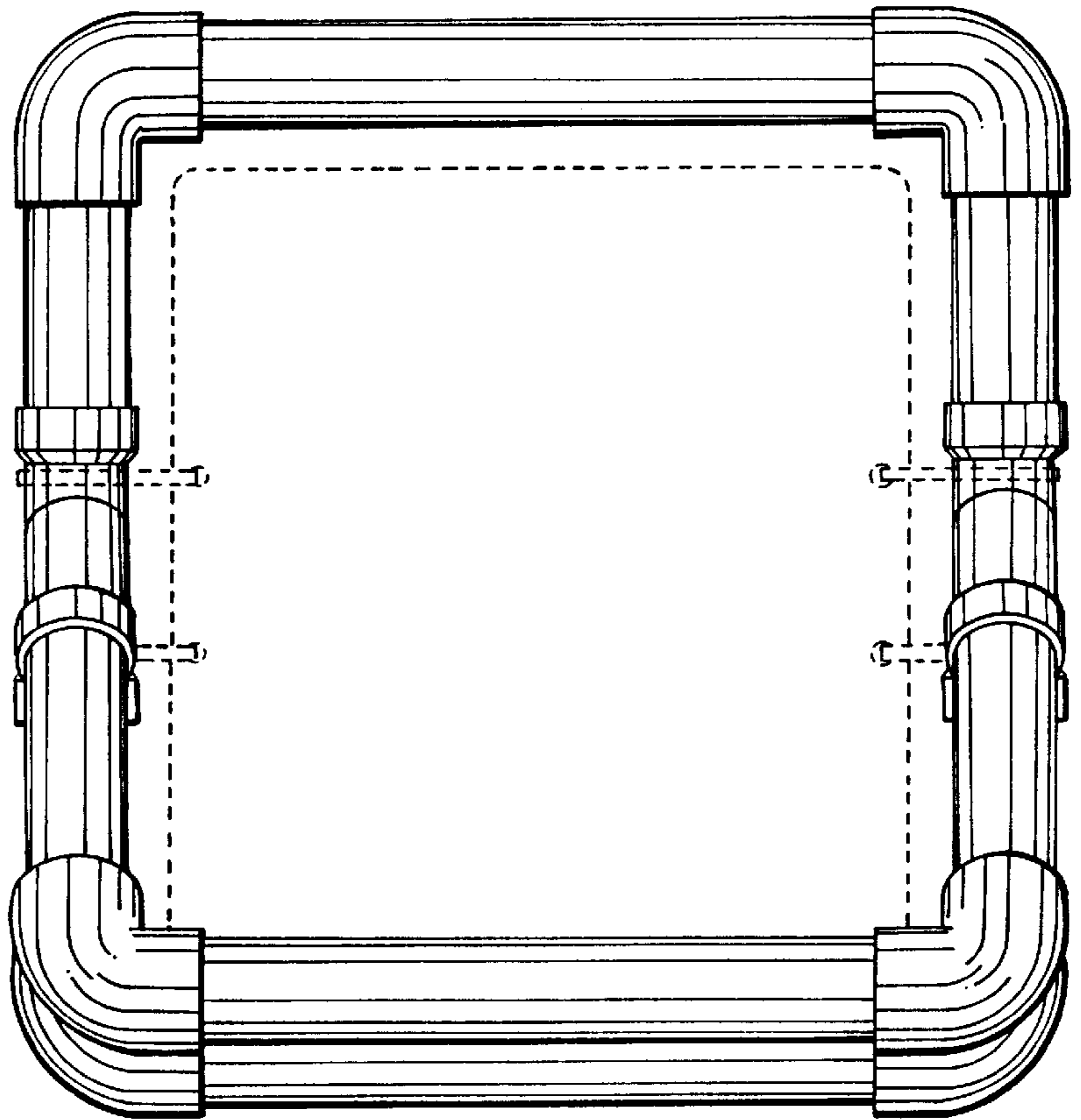


FIG. 6

