



US00D438564S

(12) **United States Design Patent**
Green

(10) **Patent No.:** **US D438,564 S**

(45) **Date of Patent:** **** Mar. 6, 2001**

(54) **COMBINED CELLULAR PHONE PEN AND PEN HOLDER**

Primary Examiner—Martie K. Holtje
(74) *Attorney, Agent, or Firm*—Mayer, Brown & Platt

(76) **Inventor:** **Richard Green**, 3100 S. Yale Ave.,
Marina Del Rey, CA (US) 90292

(57) **CLAIM**

(**) **Term:** **14 Years**

The ornamental design for a combined cellular phone pen and pen holder, as shown and described.

(21) **Appl. No.:** **29/120,248**

DESCRIPTION

(22) **Filed:** **Mar. 16, 2000**

(51) **LOC (7) Cl.** **19-06**

FIG. 1 is a front elevational view of a combined cellular phone pen and pen holder showing my new design;

(52) **U.S. Cl.** **D19/36; D19/46; D19/51;**
D19/84

FIG. 2 is a side elevational view;

(58) **Field of Search** D19/35, 36, 41–51,
D19/53–58, 81–85; 401/52, 195, 34, 82,
50; 211/69.1–69.9; 24/11 CT

FIG. 3 is a top plan view;

FIG. 4 is a bottom plan view;

FIG. 5 is a perspective view thereof, the cellular phone depicted by means of broken lines being shown for illustrative purposes only and forming no part of the claimed design;

(56) **References Cited**

U.S. PATENT DOCUMENTS

D. 193,410	*	8/1962	Reichenthal	D19/36
D. 369,384	*	4/1996	Yasoshima	D19/36
D. 377,193	*	1/1997	Takemura	D19/36
659,026	*	10/1900	Solosmith	401/82
1,840,563	*	1/1932	Brosius, Jr.	24/11 CT
2,436,763	*	2/1948	Wing	24/11 CT
2,553,346	*	5/1951	Wing	24/11 CT
5,072,483	*	12/1991	Durand	401/34 X

FIG. 6 is front elevational view of the pen shown separately for convenience of illustration;

FIG. 7 is a side elevational view of FIG. 6;

FIG. 8 is a top plan view of FIG. 6;

FIG. 9 is a bottom plan view of FIG. 6; and,

FIG. 10 is a perspective view of FIG. 6.

* cited by examiner

1 Claim, 2 Drawing Sheets

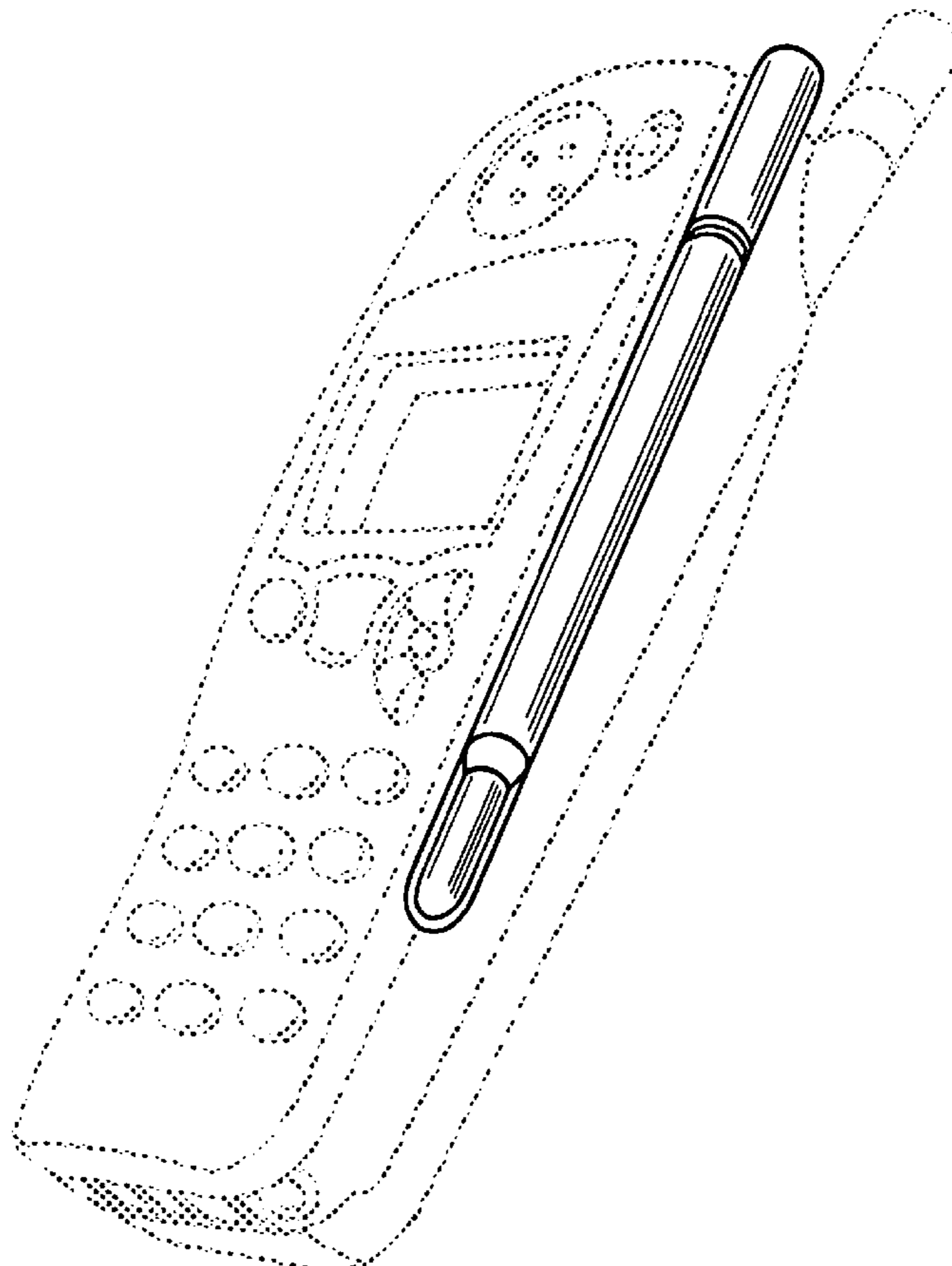


FIG. 1

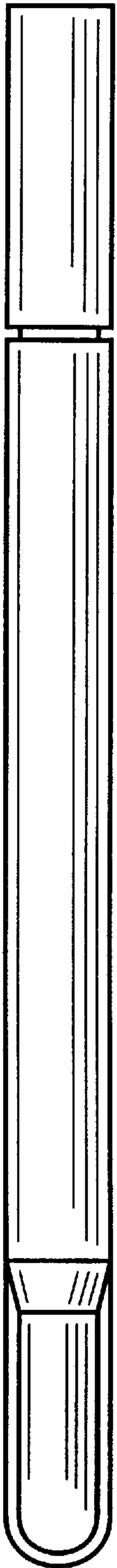


FIG. 2



FIG. 3



FIG. 4

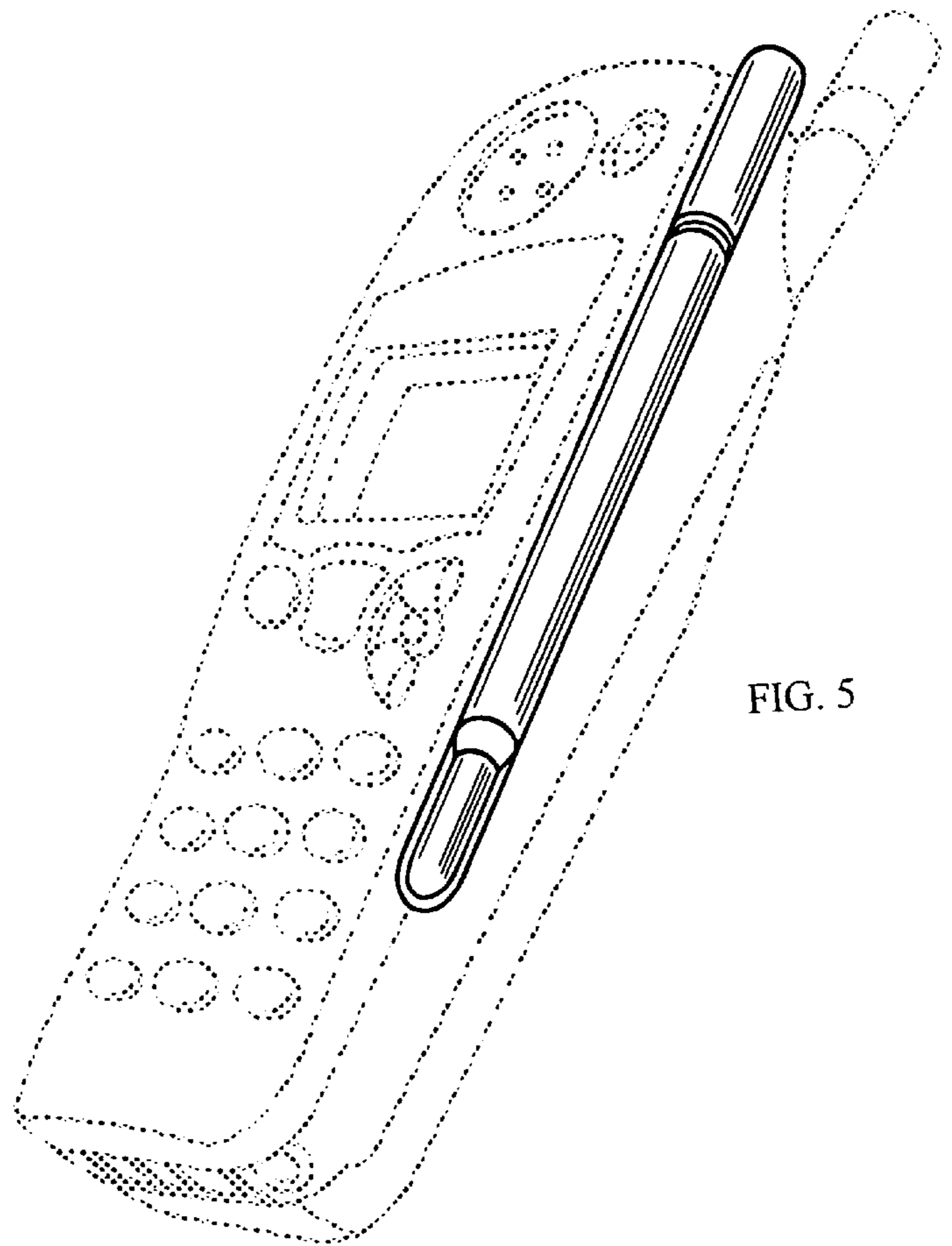


FIG. 5

FIG. 6



FIG. 7



FIG. 8



FIG. 9

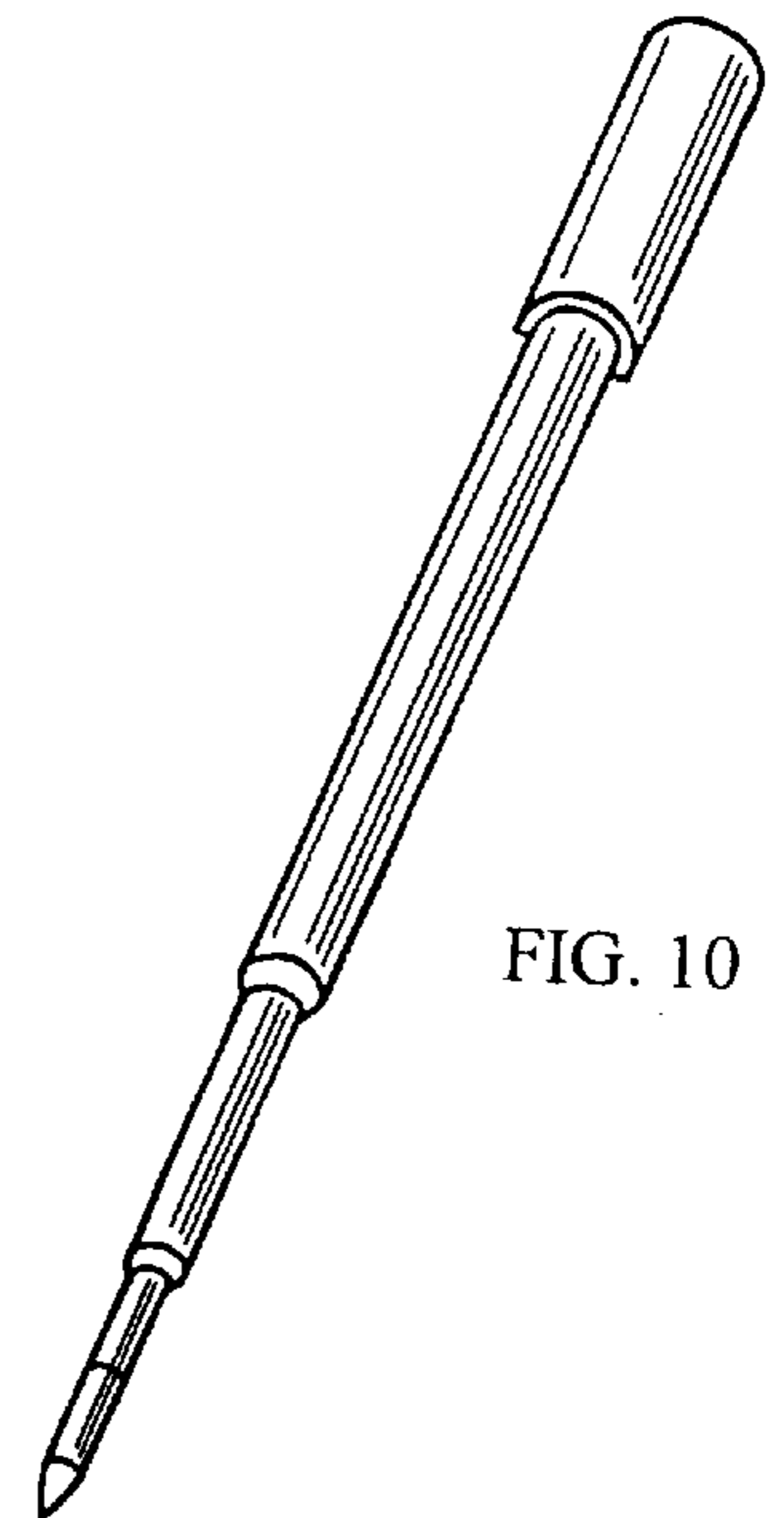


FIG. 10