



US00D438562S

(12) **United States Design Patent**
Webb et al.

(10) **Patent No.: US D438,562 S**
(45) **Date of Patent: ** Mar. 6, 2001**

(54) **CARD WITH AN ORNAMENTAL
RECTANGLE AND A MACHINE READABLE
STRIPE**

4,597,814 7/1986 Colgate, Jr. .
4,641,017 2/1987 Lopata .
4,684,795 8/1987 Colgate, Jr. .
4,705,299 * 11/1987 Hedgcoth et al. 283/68
4,711,690 12/1987 Haghiri-Tehrani .

(75) Inventors: **Lisa Webb**, Darien, CT (US); **William
J. Faenza, Jr.**, Manassas, VA (US);
Ellen Lasch, NY; **Judy Vigiletti**,
Croton, both of NY (US)

(List continued on next page.)

FOREIGN PATENT DOCUMENTS

(73) Assignee: **American Express Travel Related
Services Company, Inc.**, New York,
NY (US)

0 403 134 A3 1/1992 (EP) .
WO 89/03760 5/1989 (WO) .

OTHER PUBLICATIONS

(**) Term: **14 Years**

GAP credit card The card may be related to the art of the invention, but based upon the information on the card, it is unclear if the credit card is prior art. However, in an abundance of caution, the Applicant desires to put the credit card in the file wrapper.

(21) Appl. No.: **29/110,186**

North American Mortgage Company Card The card may be related to the art of the invention, but based upon the information on the card, it is unclear if the credit card is prior art. However, in an abundance of caution, the Applicant desires to put the credit card in the file wrapper.

(22) Filed: **Sep. 1, 1999**

(51) **LOC (7) Cl.** **19-08**

(52) **U.S. Cl.** **D19/10; D19/9**

(58) **Field of Search** D14/435, 436,
D14/437, 438, 479; D19/9, 10; 235/380-382.5,
441-443, 449, 454, 457, 469, 487-494;
283/72, 74, 75, 77, 78, 82-93, 107-114,
904

Primary Examiner—Martie K. Holtje
(74) *Attorney, Agent, or Firm*—Snell & Wilmer L.L.P.

(56) **References Cited**

(57) **CLAIM**

U.S. PATENT DOCUMENTS

The ornamental design for a card with an ornamental rectangle and a machine readable stripe, as shown.

- D. 61,466 9/1922 Foltz .
- D. 270,546 9/1983 Malmberg .
- D. 280,214 8/1985 Opel .
- D. 290,136 * 6/1987 Ball et al. D19/9
- D. 310,386 9/1990 Michels et al. .
- D. 358,419 * 5/1995 Runyan D19/10
- D. 384,971 10/1997 Kawan .
- D. 406,861 * 3/1999 Leedy, Jr. D19/10
- D. 408,054 4/1999 Leedy, Jr. .
- 3,069,793 * 12/1962 Francescon 283/110 X
- 3,838,252 9/1974 Hynes et al. .
- 3,894,756 7/1975 Ward .
- 4,058,839 11/1977 Darjany .
- 4,223,918 * 9/1980 Smoczynski 283/83
- 4,547,002 10/1985 Colgate, Jr. .
- 4,563,024 1/1986 Blyth .
- 4,593,936 6/1986 Opel .

DESCRIPTION

FIG. 1 is a perspective view of a card with an ornamental rectangle and a machine readable stripe showing my new design;

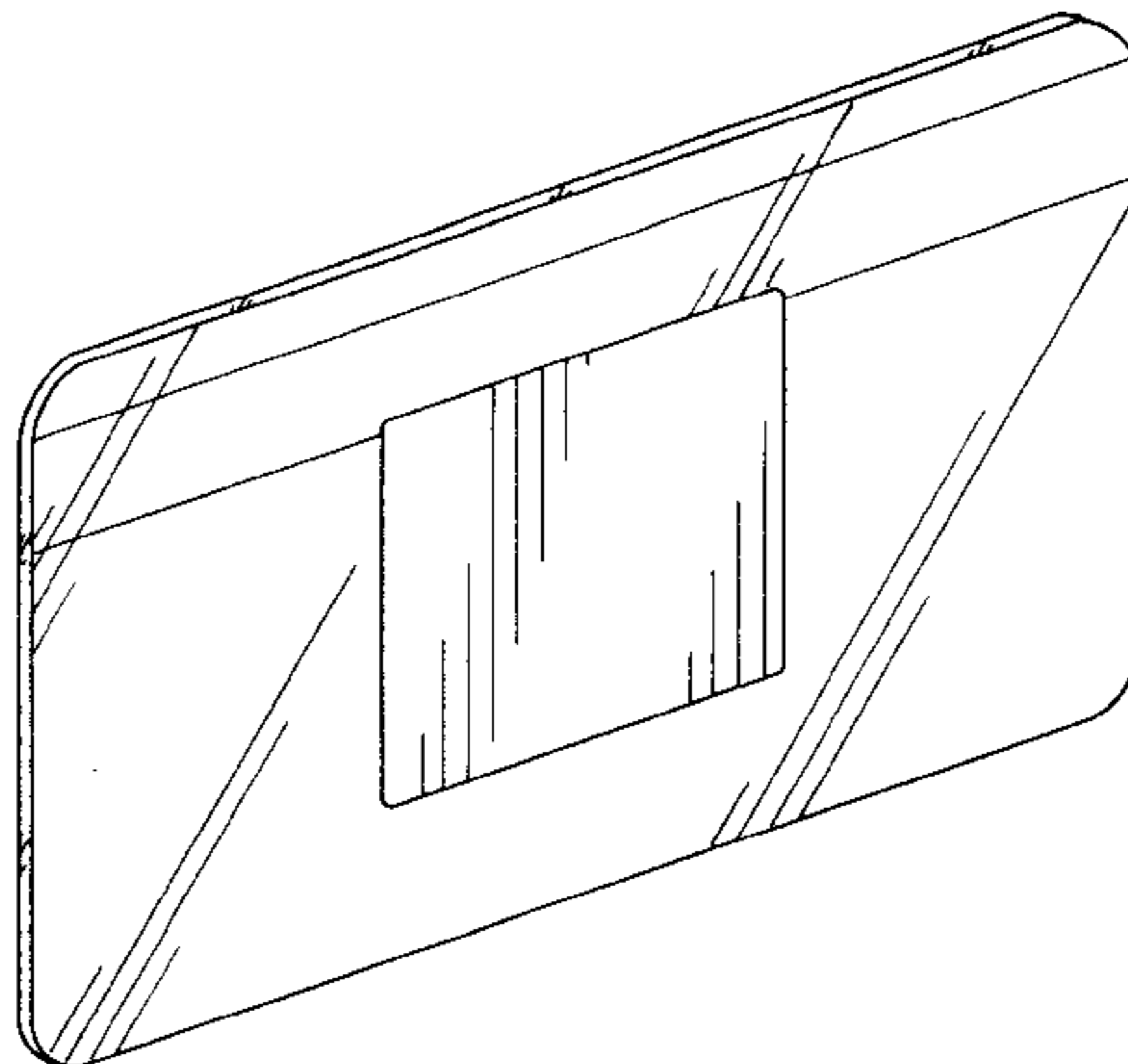
FIG. 2 is a front view of the card with an ornamental rectangle and a machine readable stripe of FIG. 1;

FIG. 3 is a rear view of the card with an ornamental rectangle and a machine readable stripe of FIG. 1;

FIG. 4 is a front elevational view thereof; and,

FIG. 5 is a right side elevational view thereof.

1 Claim, 1 Drawing Sheet



US D438,562 S

Page 2

U.S. PATENT DOCUMENTS

4,779,898	10/1988	Berning et al. .	5,608,203	3/1997	Finkelstein et al. .
4,852,911	8/1989	Hoppe .	5,613,712 *	3/1997	Jeffers 283/78
4,889,366	12/1989	Fabbiani .	5,697,649	12/1997	Dames et al. .
5,106,125	4/1992	Antes .	5,700,037	12/1997	Keller .
5,142,383	8/1992	Mallik .	5,720,500	2/1998	Okazaki et al. .
5,246,375 *	9/1993	Goede 283/904 X	5,789,733	8/1998	Jachimowicz et al. .
5,251,937	10/1993	Ojster .	5,808,758	9/1998	Solmsdorf .
5,351,142	9/1994	Cueli .	5,857,709	1/1999	Chock .
5,355,411	10/1994	MacDonald .	5,900,954	5/1999	Katz et al. .
5,383,687	1/1995	Suess et al. .	5,944,356 *	8/1999	Bergmann et al. 283/86
5,516,153	5/1996	Kaule .			

* cited by examiner

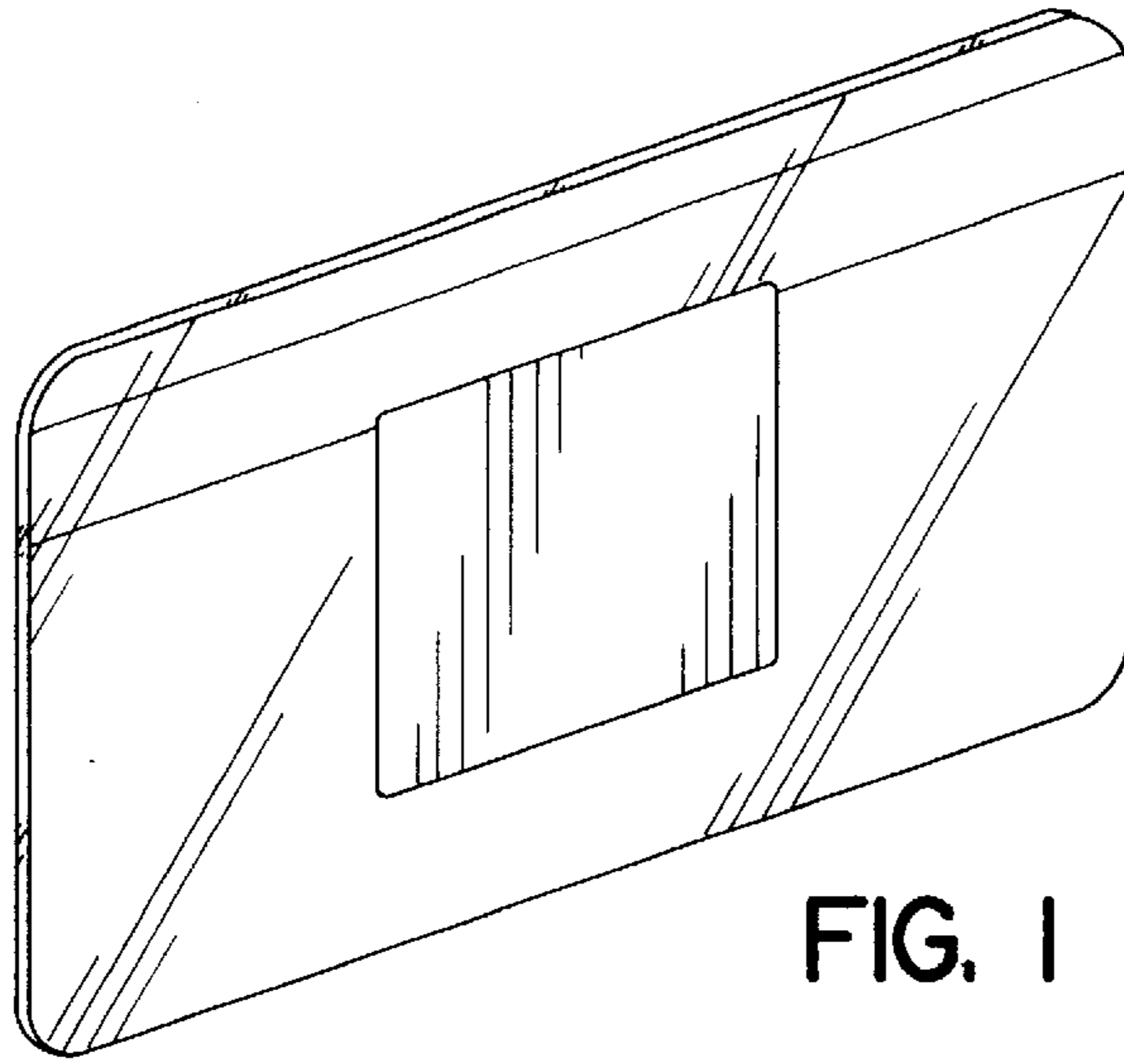


FIG. 1

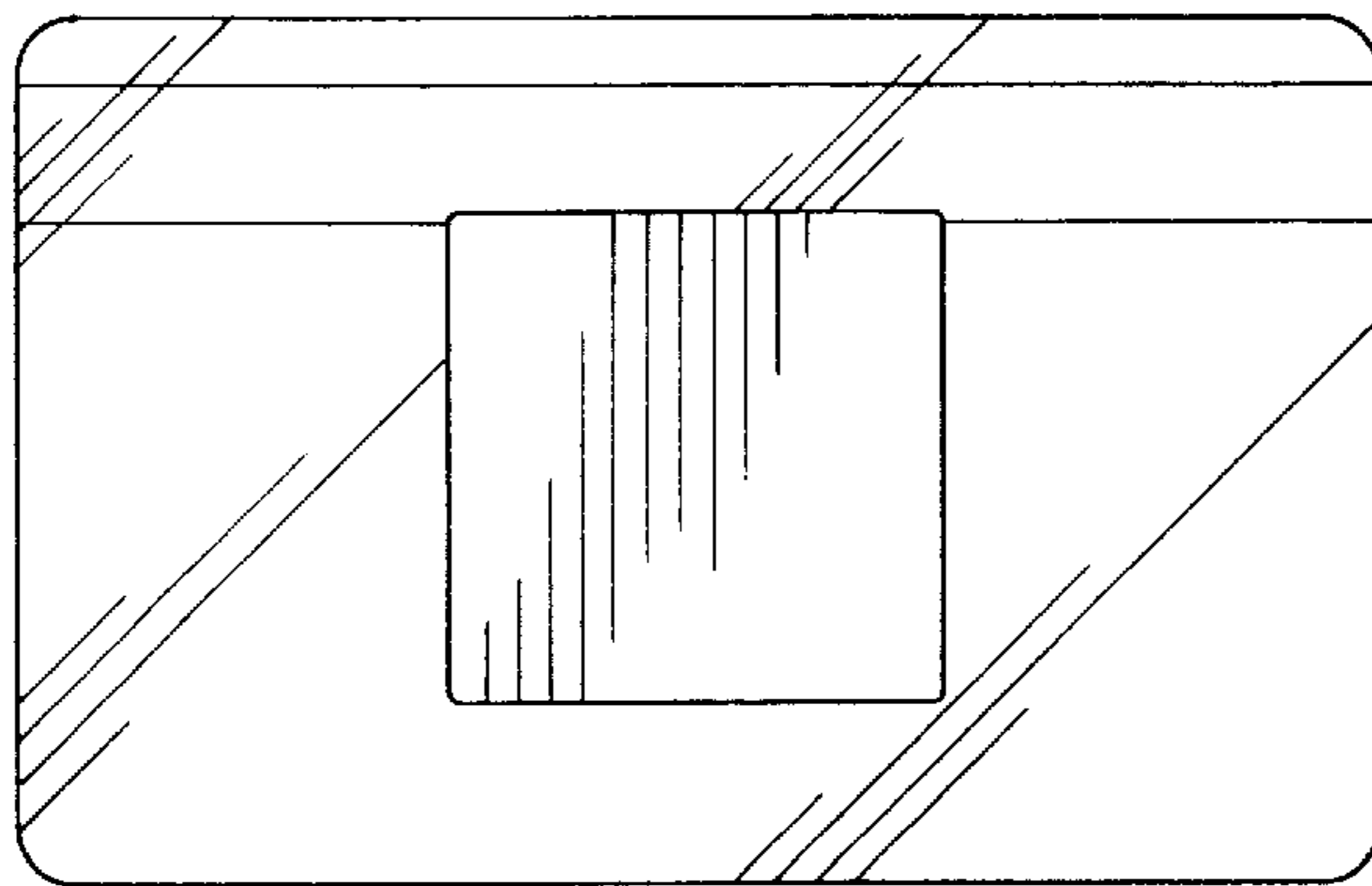


FIG. 2

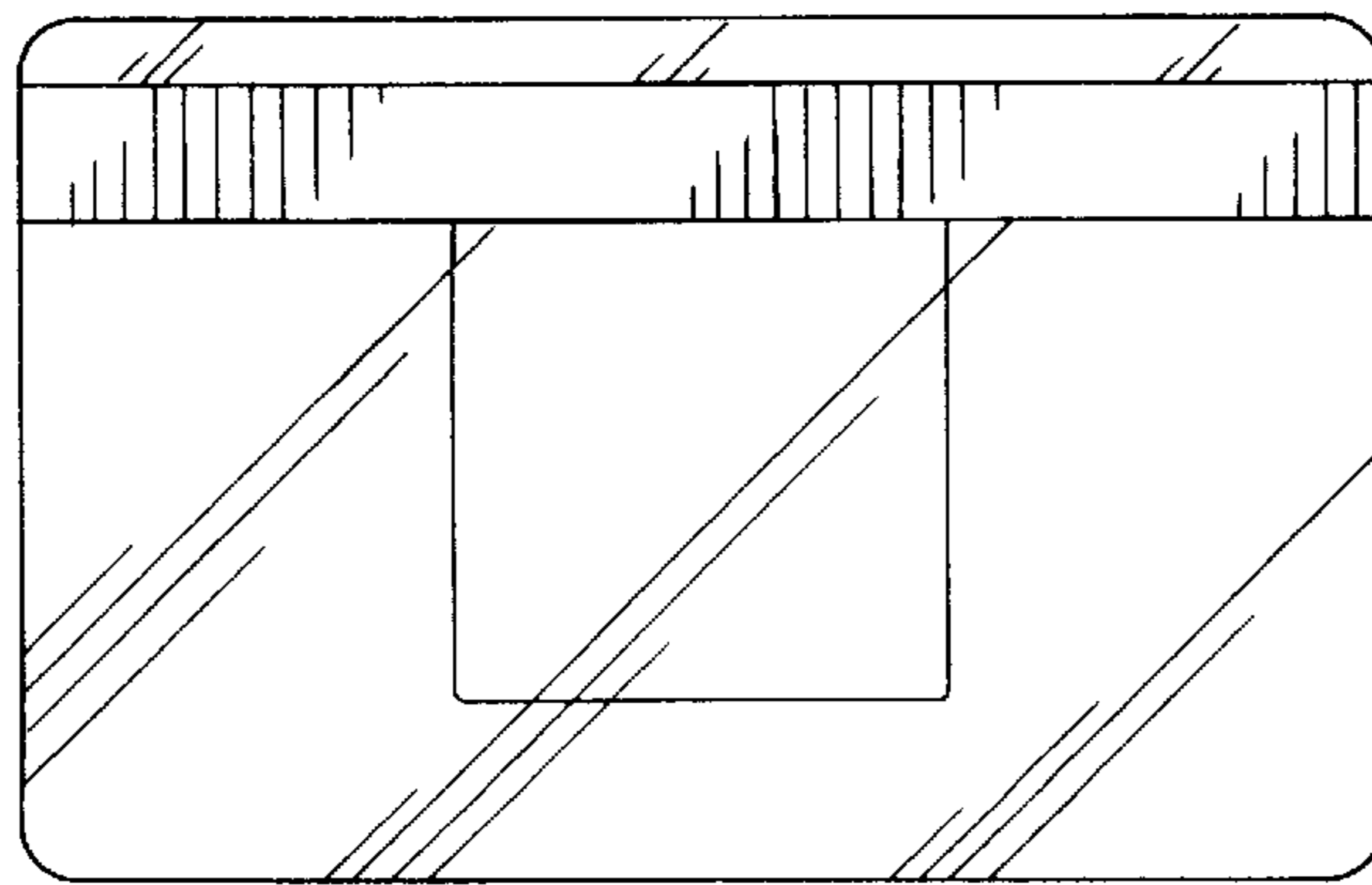


FIG. 3

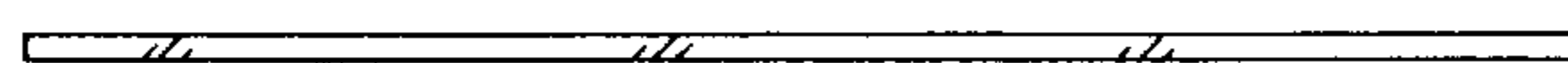


FIG. 4



FIG. 5