



US00D438561S

(12) **United States Design Patent**  
**Chiba et al.**

(10) **Patent No.:** **US D438,561 S**

(45) **Date of Patent:** **\*\* Mar. 6, 2001**

(54) **INK CARTRIDGE WITH PRINTING HEAD FOR PRINTER**

(75) Inventors: **Toshimi Chiba; Masanori Takenouchi**, both of Yokohama; **Osamu Morita**, Yokosuka; **Wataru Takahashi**, Kawasaki, all of (JP)

(73) Assignee: **Canon Kabushiki Kaisha**, Tokyo (JP)

(\*\*) Term: **14 Years**

(21) Appl. No.: **29/116,748**

(22) Filed: **Jan. 11, 2000**

(30) **Foreign Application Priority Data**

Jul. 16, 1999 (JP) ..... 11-19205

(51) **LOC (7) Cl.** ..... **18-02**

(52) **U.S. Cl.** ..... **D18/56**

(58) **Field of Search** ..... D18/56; 347/86, 347/87

(56) **References Cited**

**U.S. PATENT DOCUMENTS**

D. 371,804	7/1996	Kotaki et al.	.....	D18/56
D. 382,013	* 8/1997	Tashiro et al.	.....	D18/56
D. 382,014	* 8/1997	Tashiro et al.	.....	D18/56
D. 392,672	3/1998	Inoue et al.	.....	D18/56
D. 395,670	6/1998	Inoue et al.	.....	D18/56
D. 395,916	7/1998	Inoue et al.	.....	D18/56

D. 413,920	* 9/1999	Shimizu et al.	.....	D18/56
D. 414,509	* 9/1999	Shimizu et al.	.....	D18/56
D. 425,111	* 5/2000	Inoue et al.	.....	D18/56
D. 425,556	* 5/2000	Inoue et al.	.....	D18/56
D. 425,933	* 5/2000	Inoue et al.	.....	D18/56
D. 430,201	* 8/2000	Inoue et al.	.....	D18/56
5,182,581	* 1/1993	Kashimura et al.	.....	347/87

\* cited by examiner

*Primary Examiner*—Cathy Anne MacCormac

(74) *Attorney, Agent, or Firm*—Fitzpatrick, Cella, Harper & Scinto

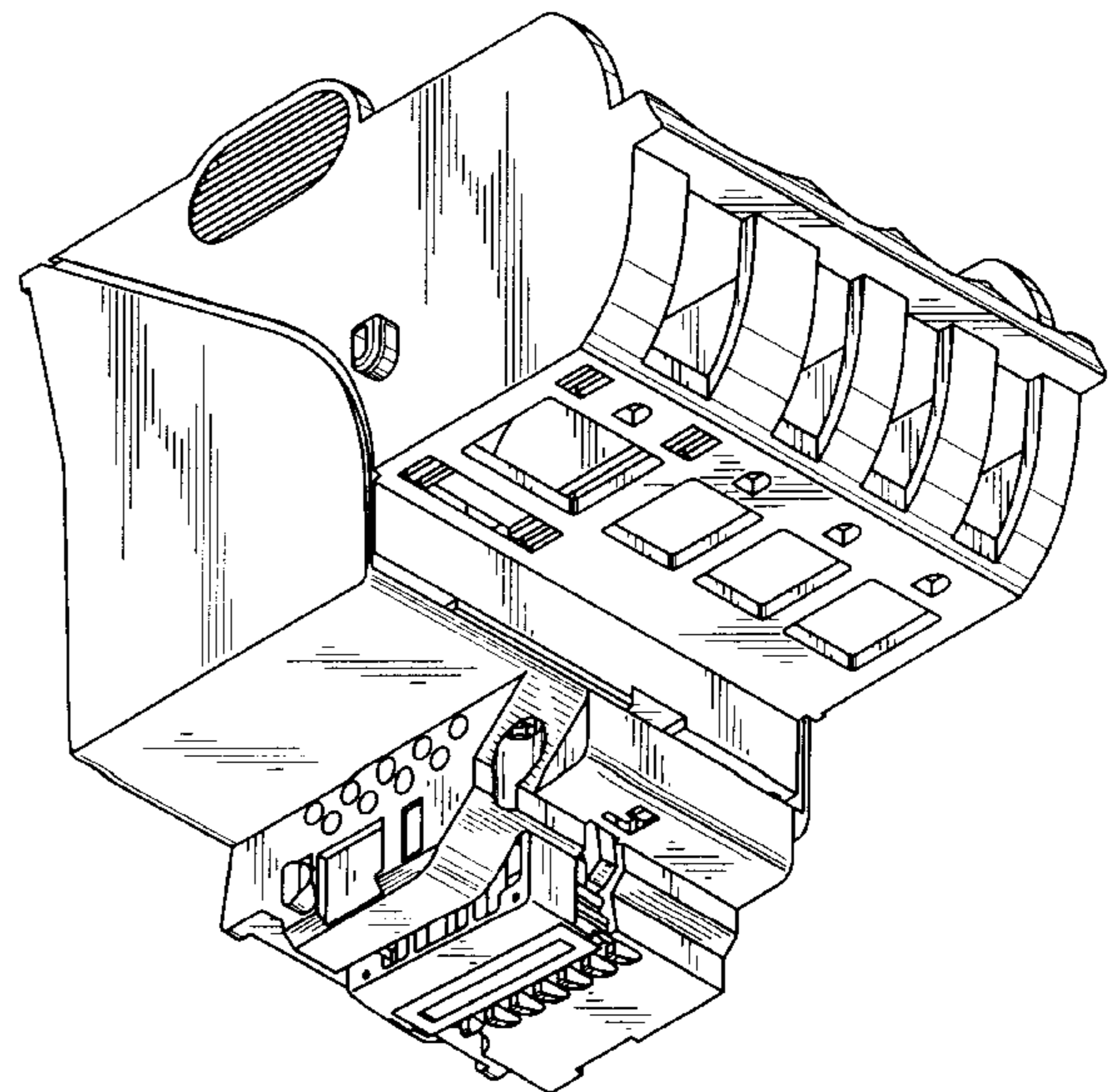
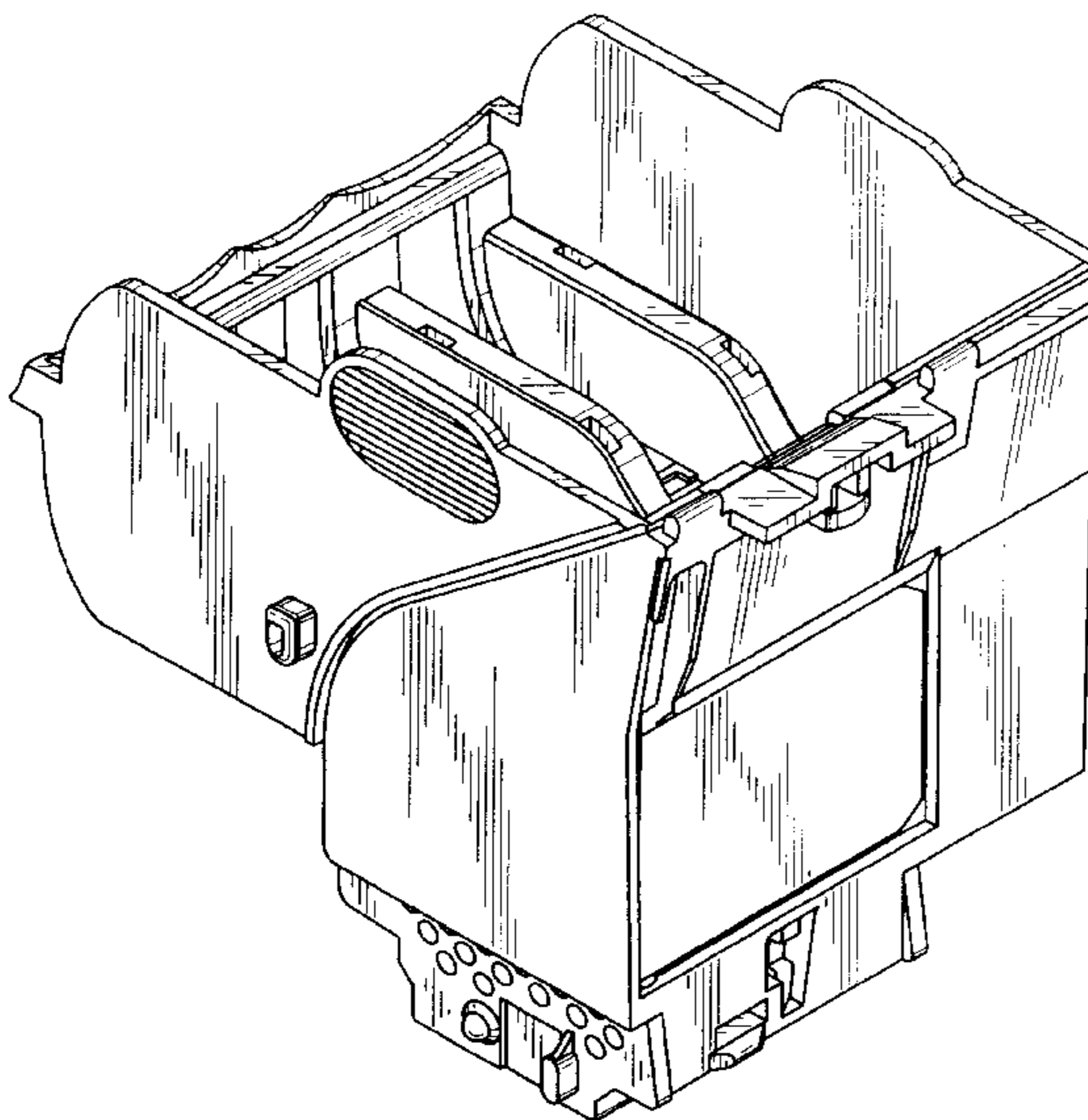
(57) **CLAIM**

The ornamental design for an ink cartridge with printing head for printer, as shown and described.

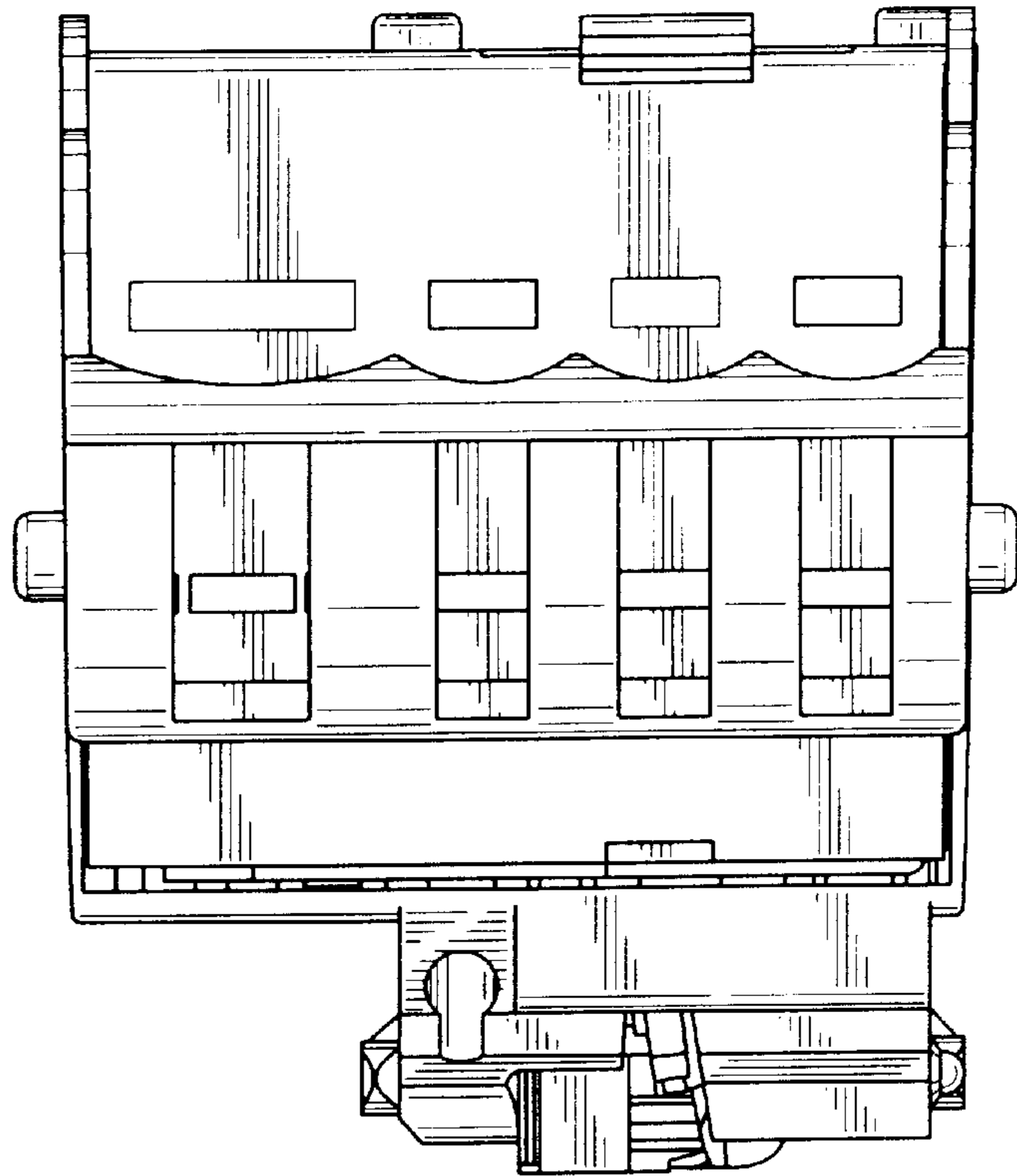
**DESCRIPTION**

FIG. 1 is a front view of an ink cartridge with printing head for printer showing our new design;  
 FIG. 2 is a rear view thereof;  
 FIG. 3 is a top plan view thereof;  
 FIG. 4 is a bottom plan view thereof;  
 FIG. 5 is a left side view thereof;  
 FIG. 6 is a right side view thereof;  
 FIG. 7 is a perspective view as viewed from rear and top direction thereof; and,  
 FIG. 8 is a perspective view as viewed from front and bottom direction thereof.

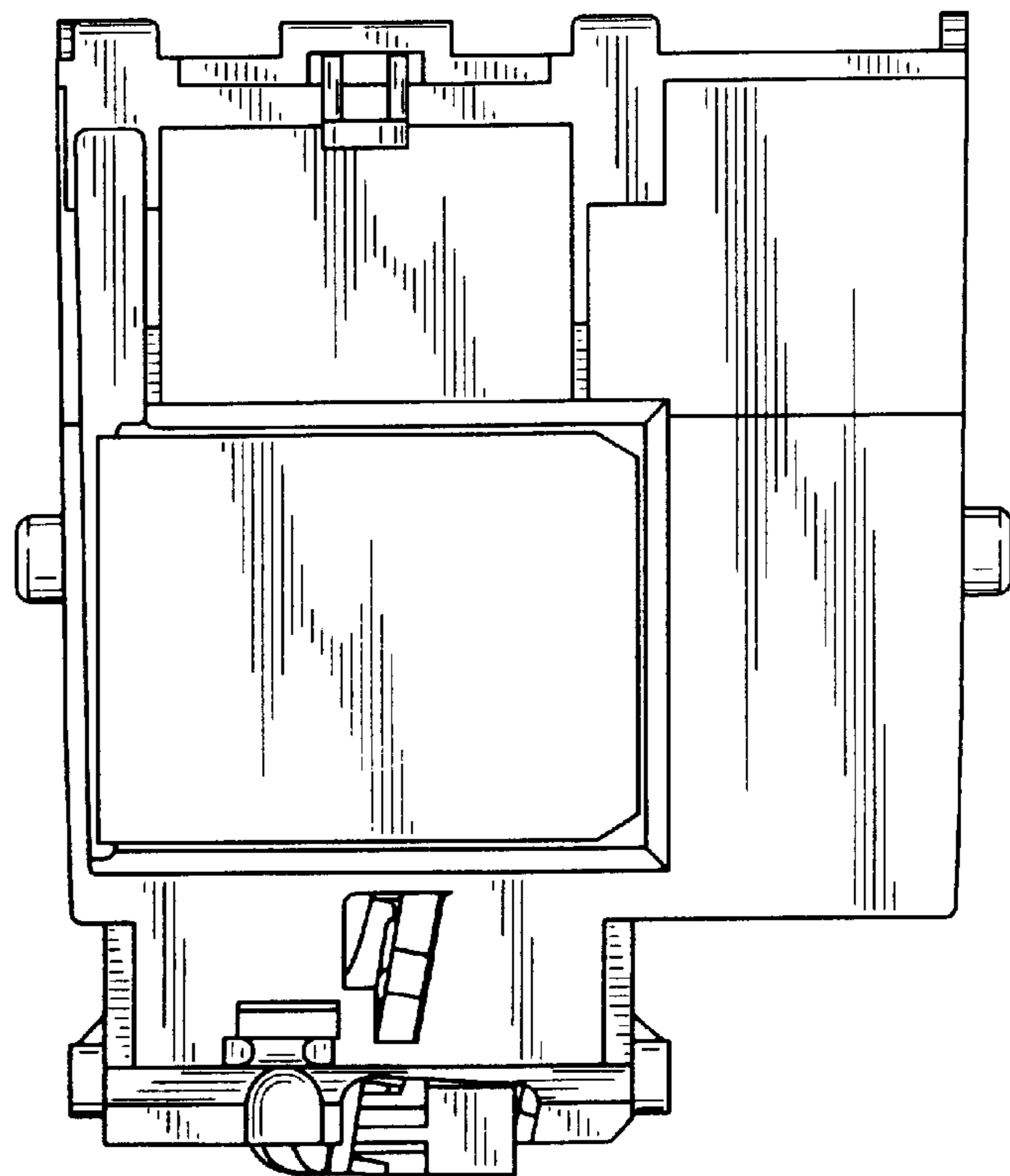
**1 Claim, 4 Drawing Sheets**



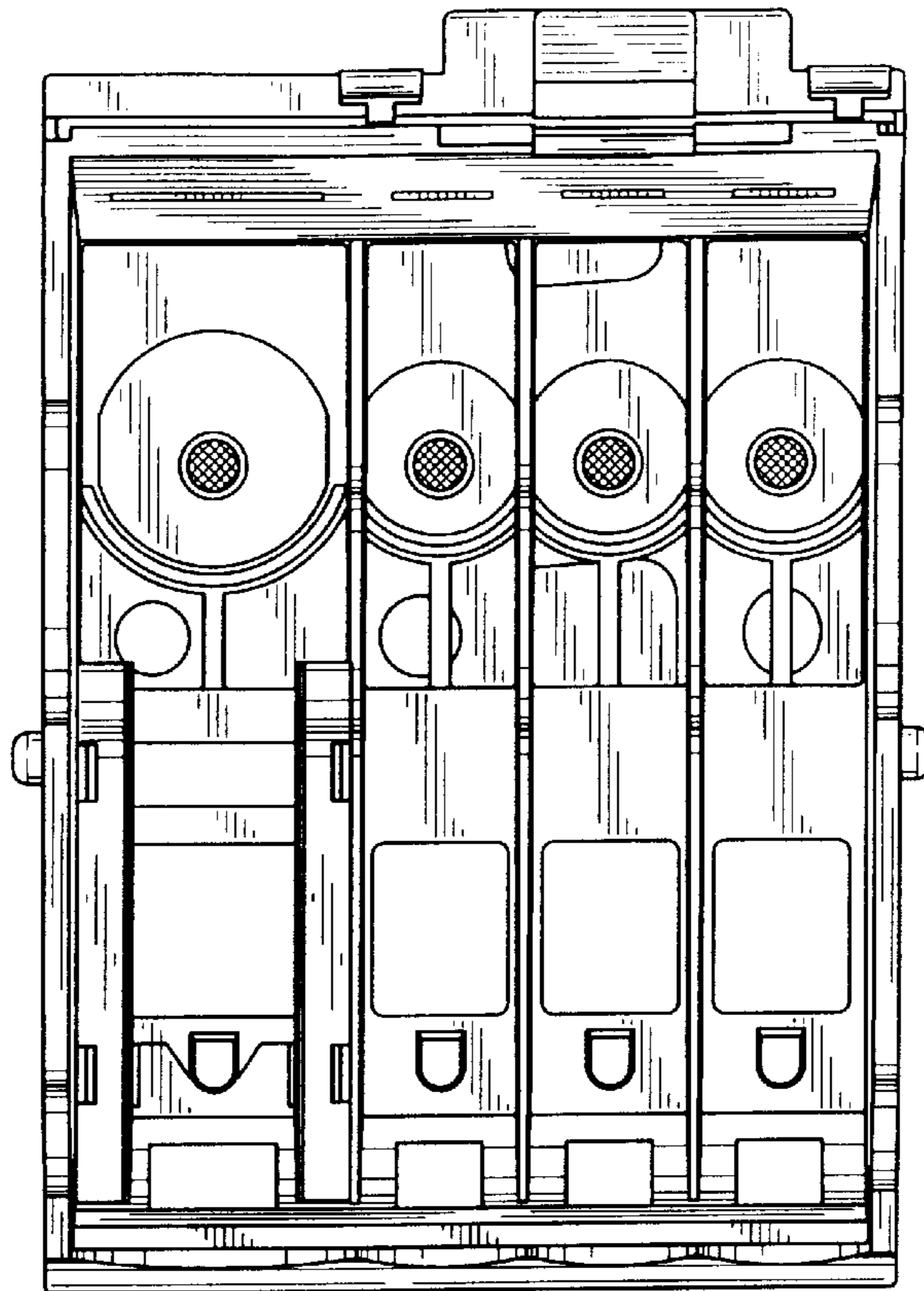
*FIG. 1*



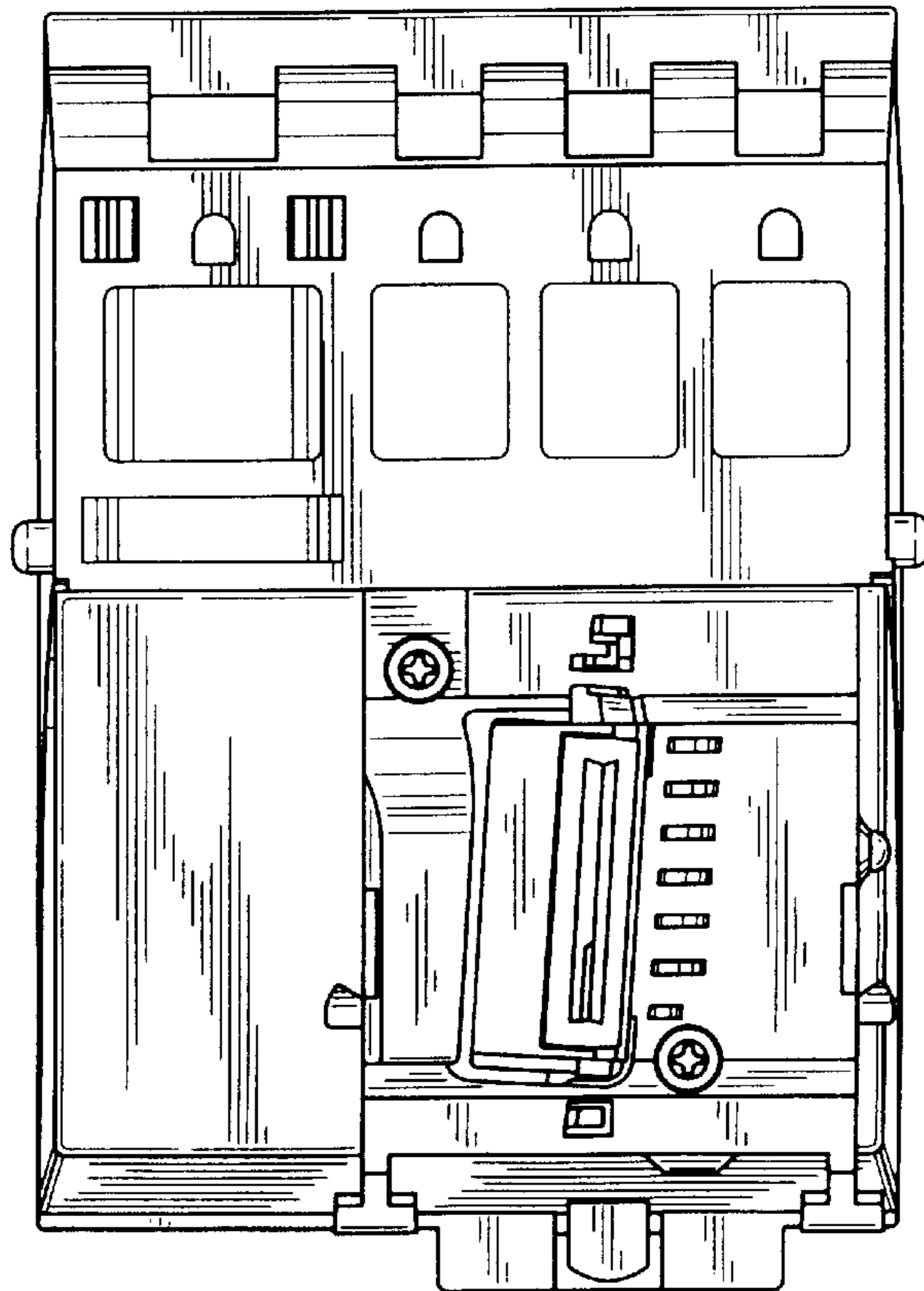
*FIG. 2*



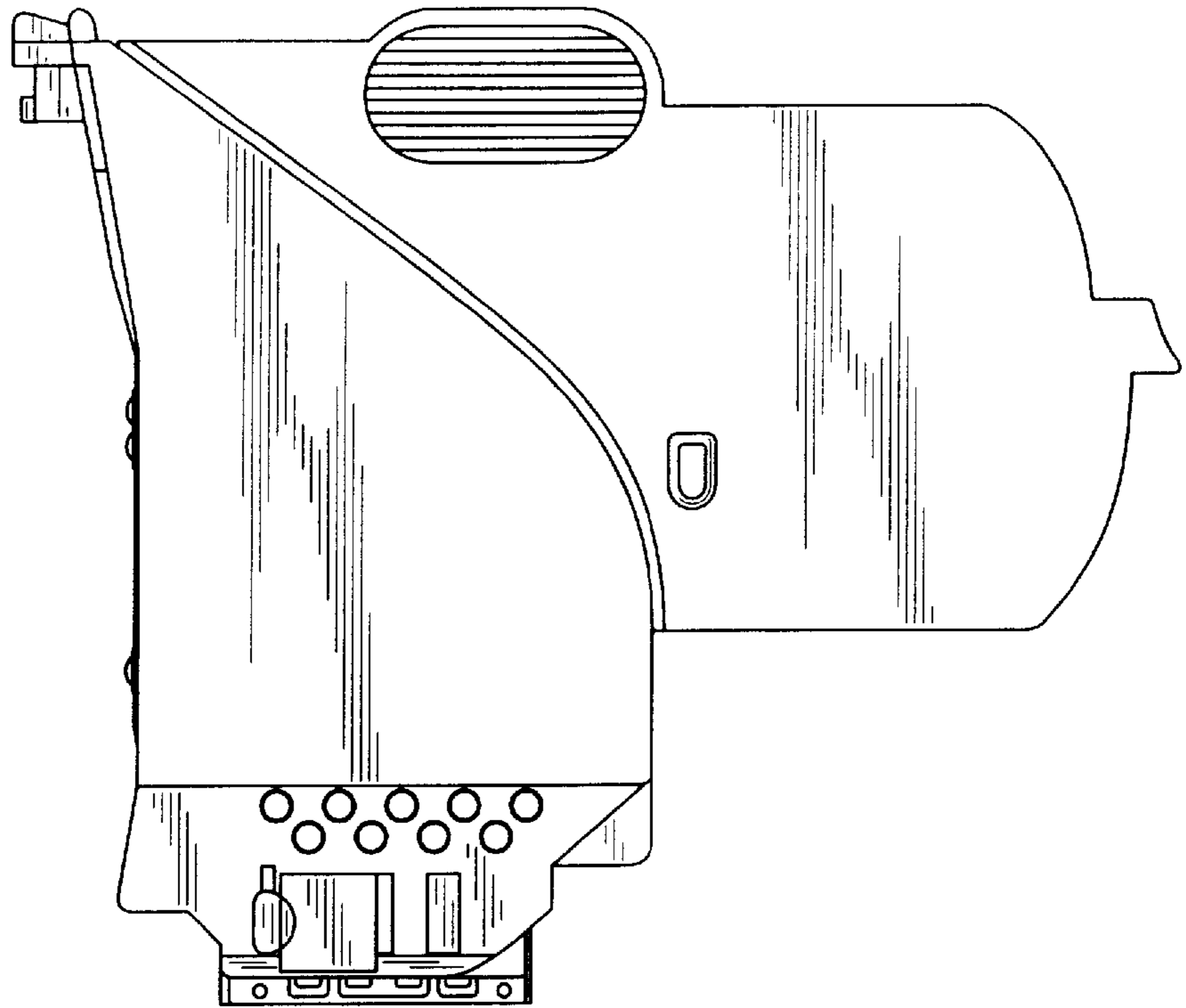
*FIG. 3*



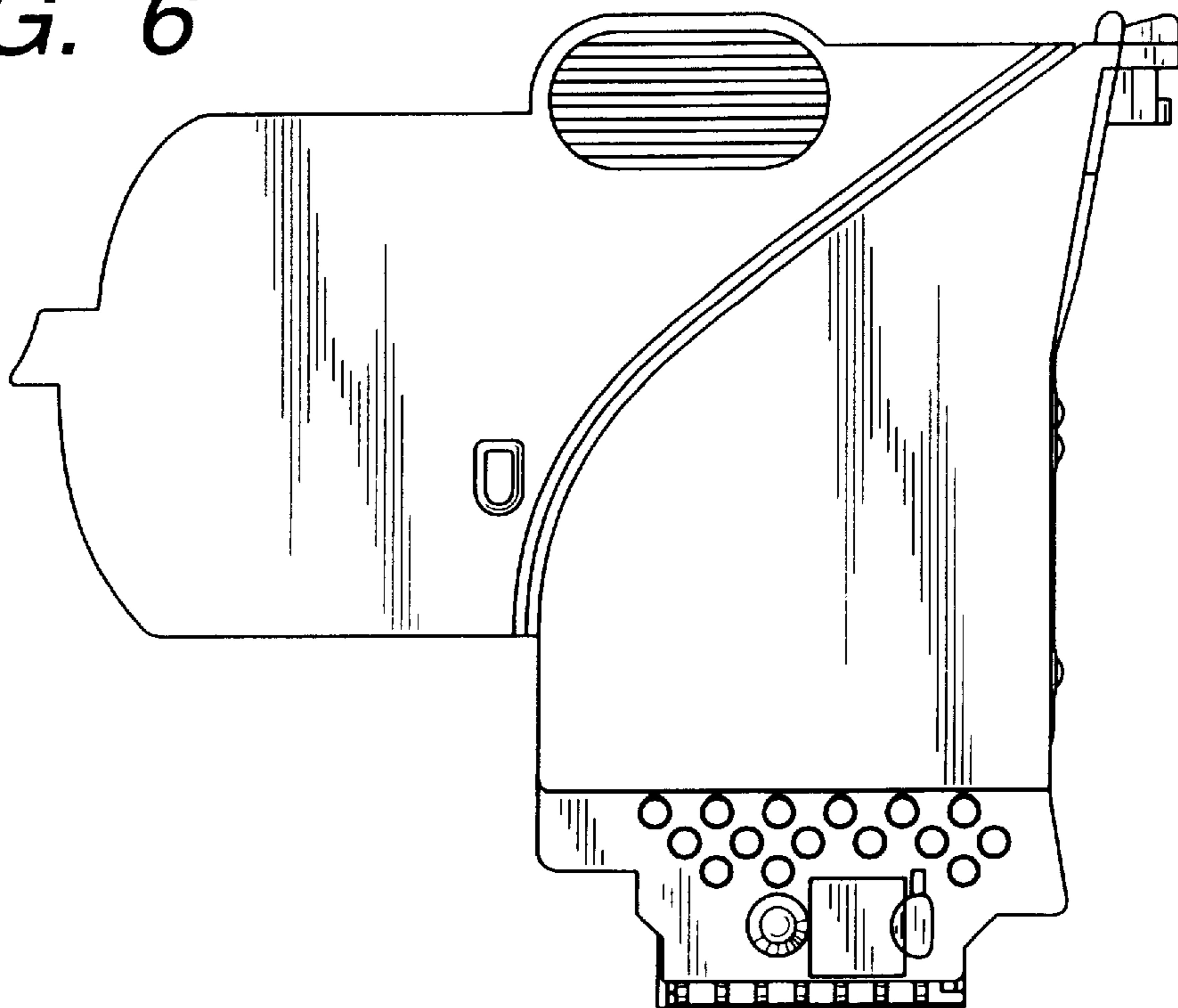
*FIG. 4*



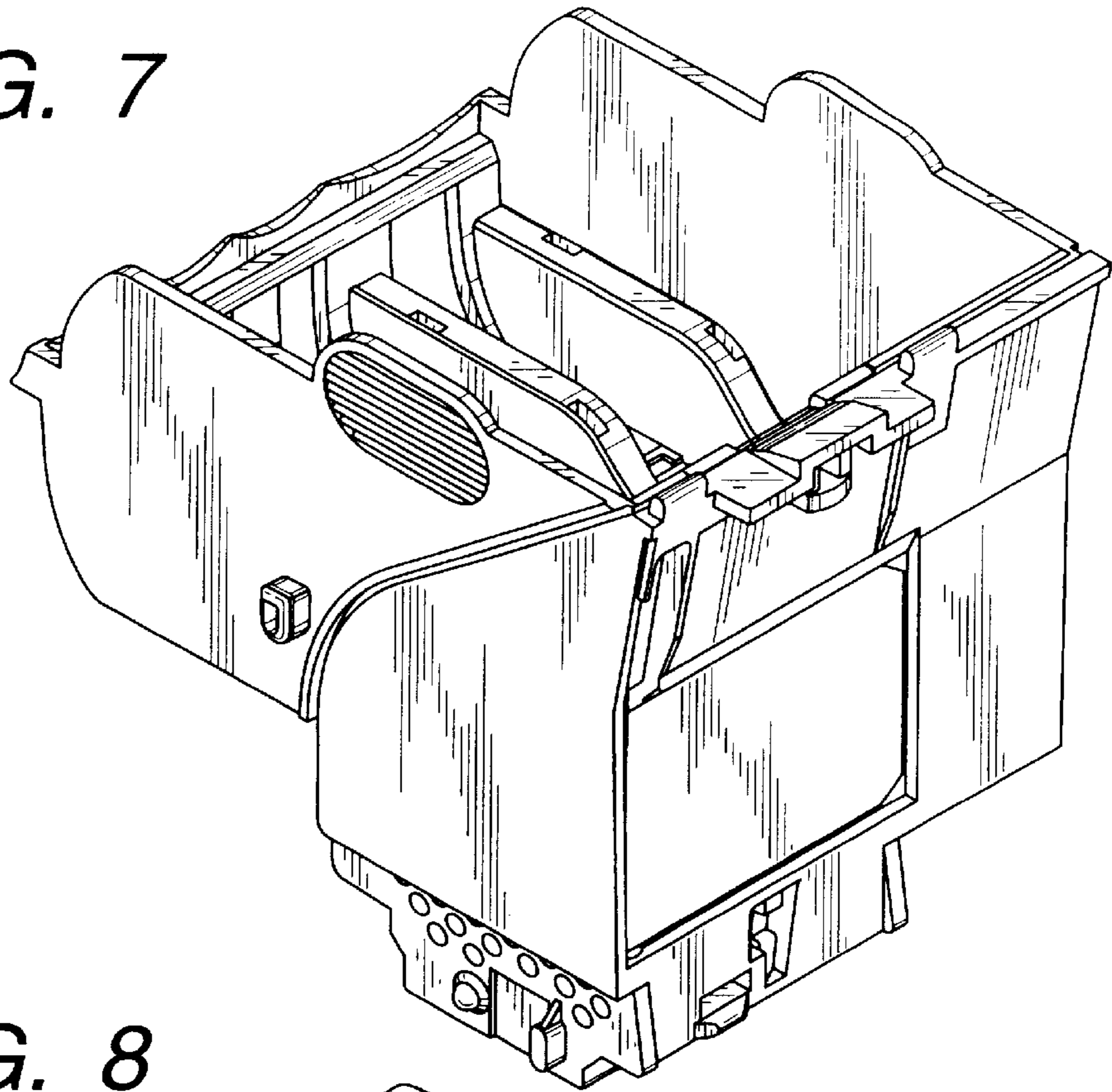
*FIG. 5*



*FIG. 6*



*FIG. 7*



*FIG. 8*

