



US00D438556S

(12) **United States Design Patent**
Kato et al.

(10) **Patent No.:** **US D438,556 S**

(45) **Date of Patent:** **** Mar. 6, 2001**

(54) **BANK NOTE SORTER**

(75) Inventors: **Yoshiyuki Kato; Ken Urata; Hideo Atsumi; Keiji Sakai; Tadao Saito**, all of Tokyo (JP)

(73) Assignee: **Laurel Bank Machines Co., Ltd.**, Tokyo (JP)

(**) Term: **14 Years**

(21) Appl. No.: **29/110,316**

(22) Filed: **Sep. 3, 1999**

(30) **Foreign Application Priority Data**

Mar. 10, 1999 (JP) 11-6060

(51) **LOC (7) Cl.** **18-01**

(52) **U.S. Cl.** **D18/3.3**

(58) **Field of Search** D18/3.1, 3.3, 12.1; 453/3, 58, 59

(56) **References Cited**

U.S. PATENT DOCUMENTS

D. 279,479 * 7/1985 Hilton D18/3.3

D. 295,109 * 4/1988 Nishida D18/3.3

D. 295,569 * 5/1988 Nishida D18/3.2

D. 320,806 * 10/1991 Inoue D18/3.3

* cited by examiner

Primary Examiner—Caron D. Veynar

(74) *Attorney, Agent, or Firm*—Burns, Doane, Swecker & Mathis, L.L.P.

(57) **CLAIM**

The ornamental design for a bank note sorter, as shown and described.

DESCRIPTION

FIG. 1 is a perspective view of a bank note sorter showing our new design;

FIG. 2 is a front elevation view thereof;

FIG. 3 is a top plan view thereof;

FIG. 4 is a left side elevation view thereof;

FIG. 5 is a right side elevation view thereof;

FIG. 6 is a rear elevation view thereof;

FIG. 7 is a bottom view thereof; and,

FIG. 8 is a vertical cross-sectional view cut along line 8—8 in FIG. 2.

1 Claim, 8 Drawing Sheets

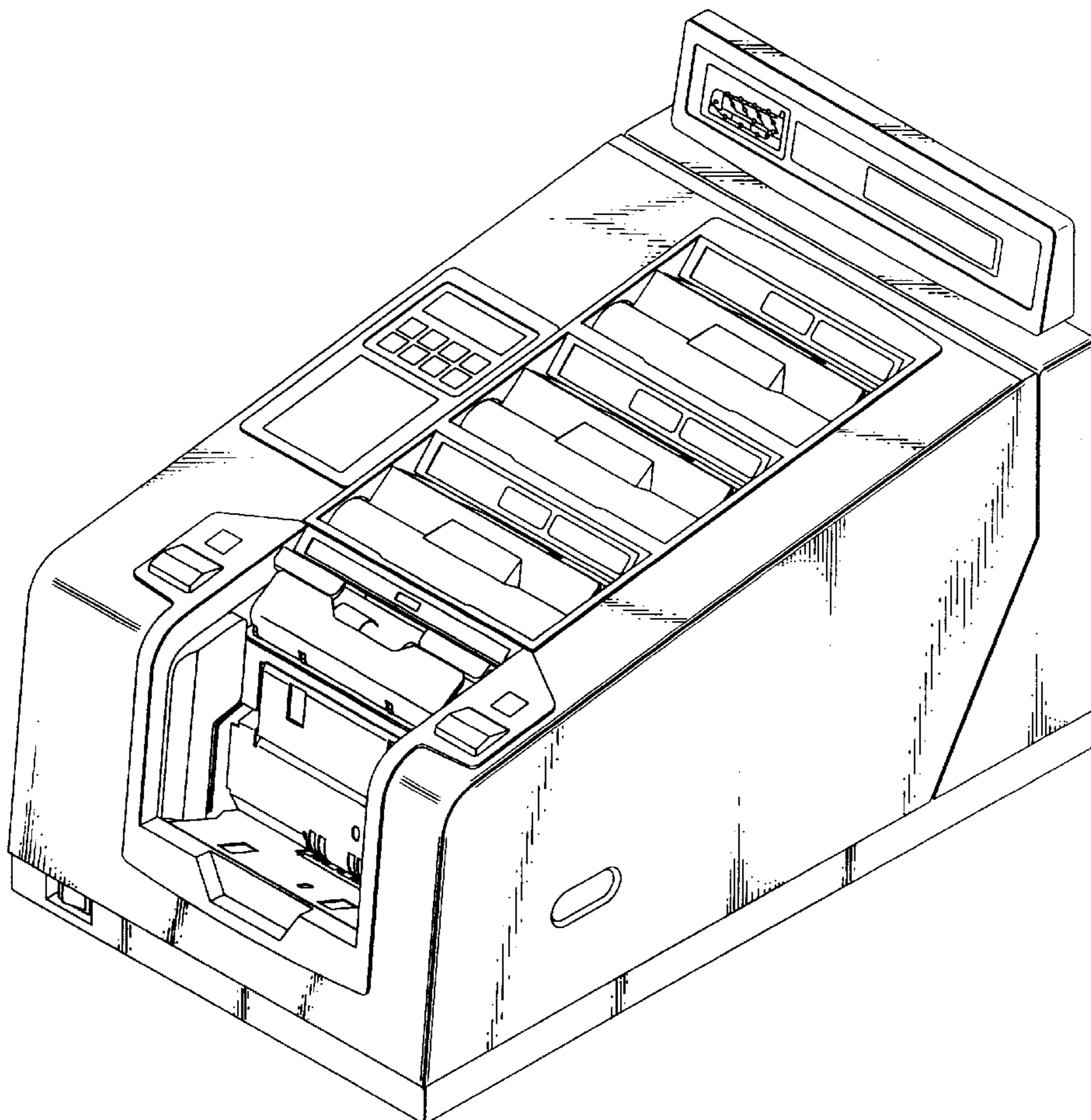


FIG. 1

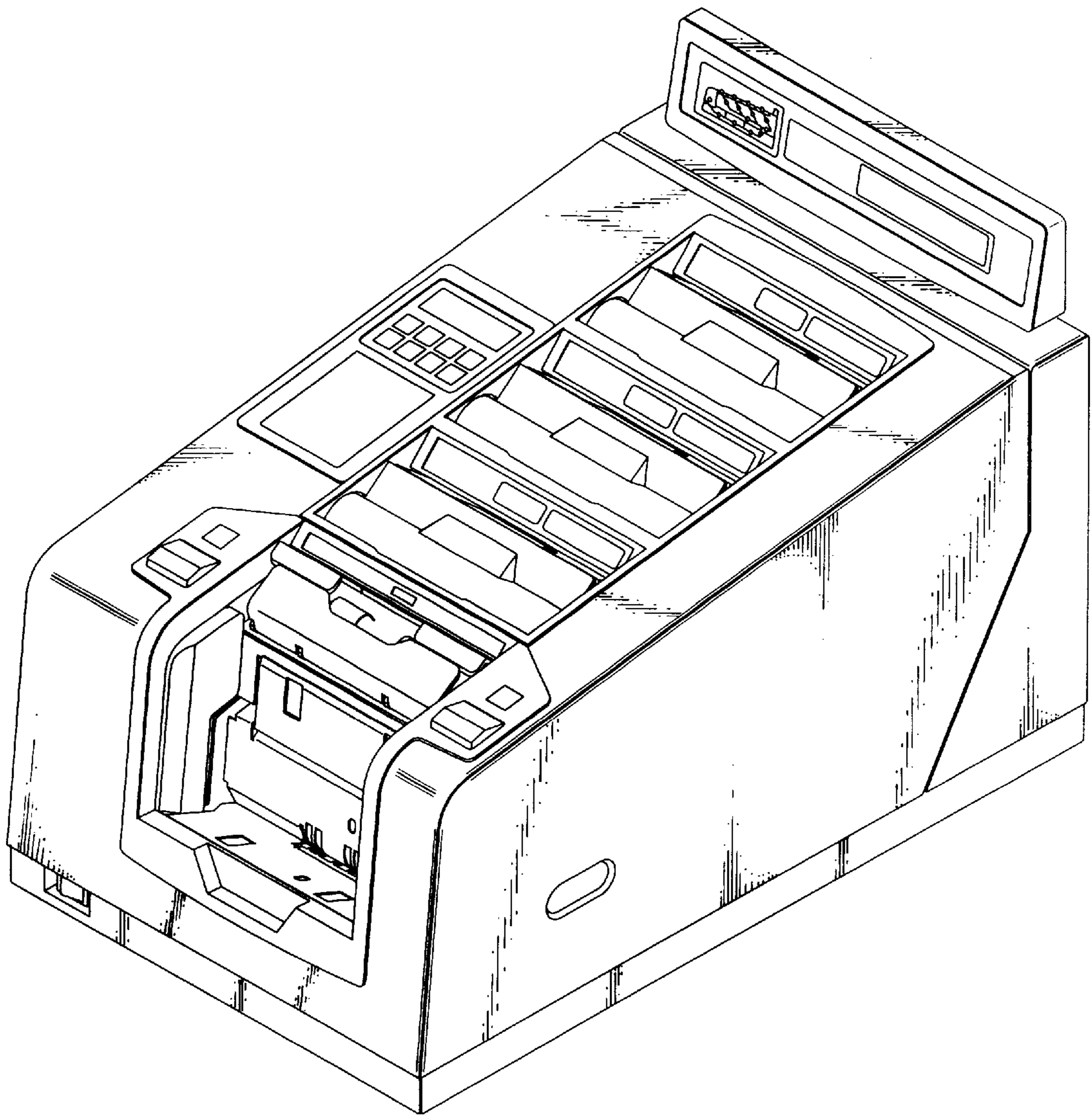
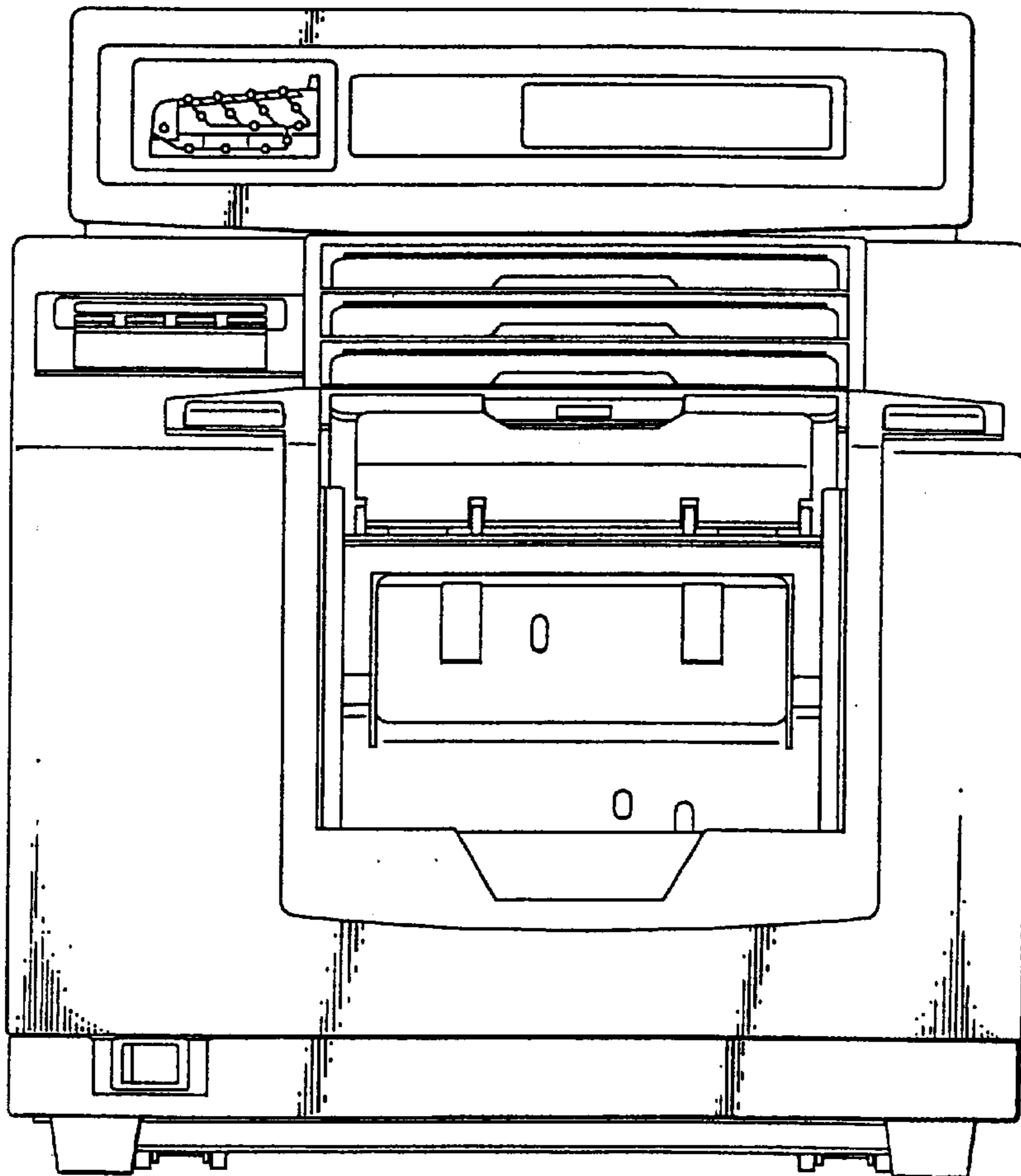


FIG. 2

8 ←



8 ←

FIG. 3

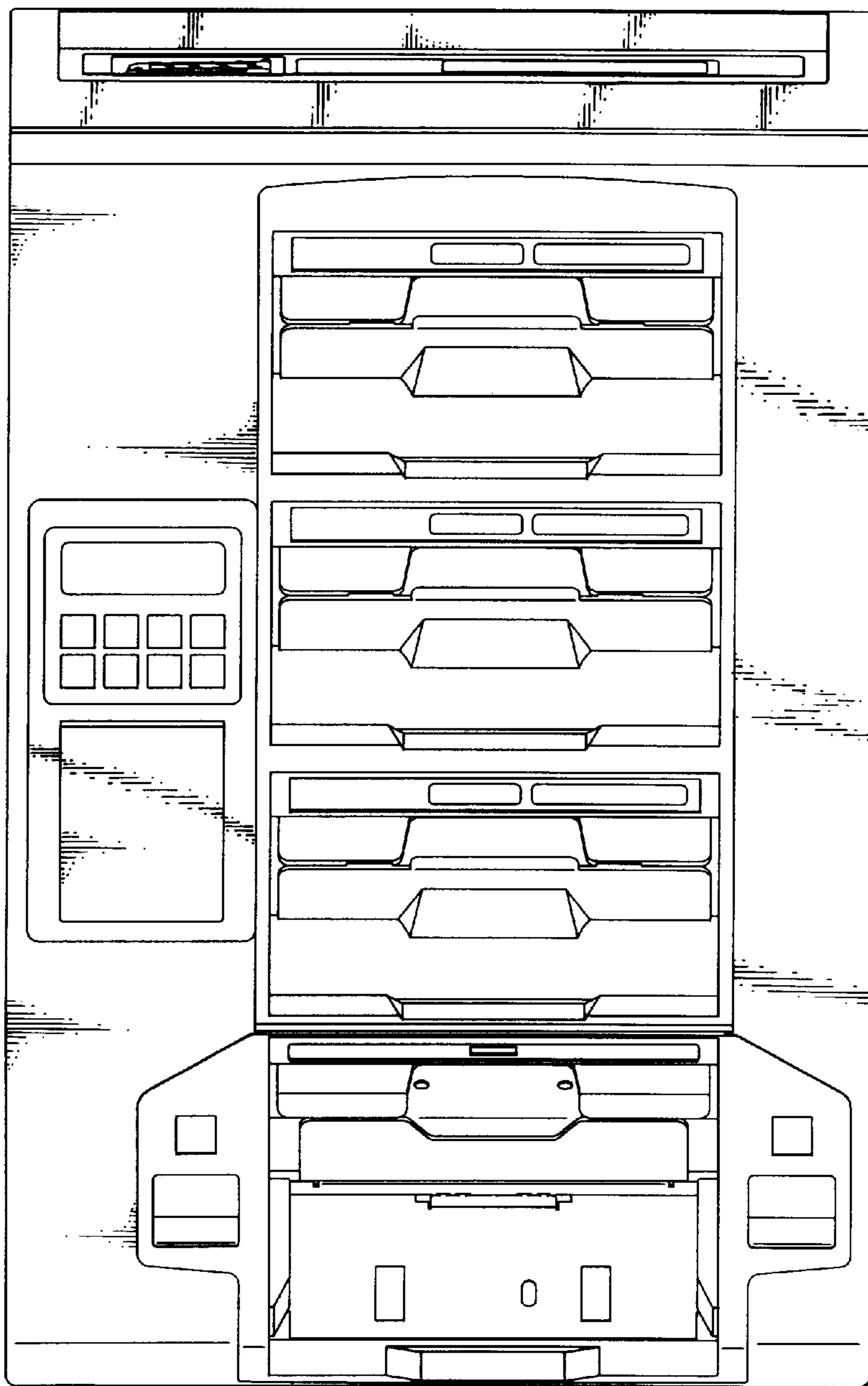


FIG. 4

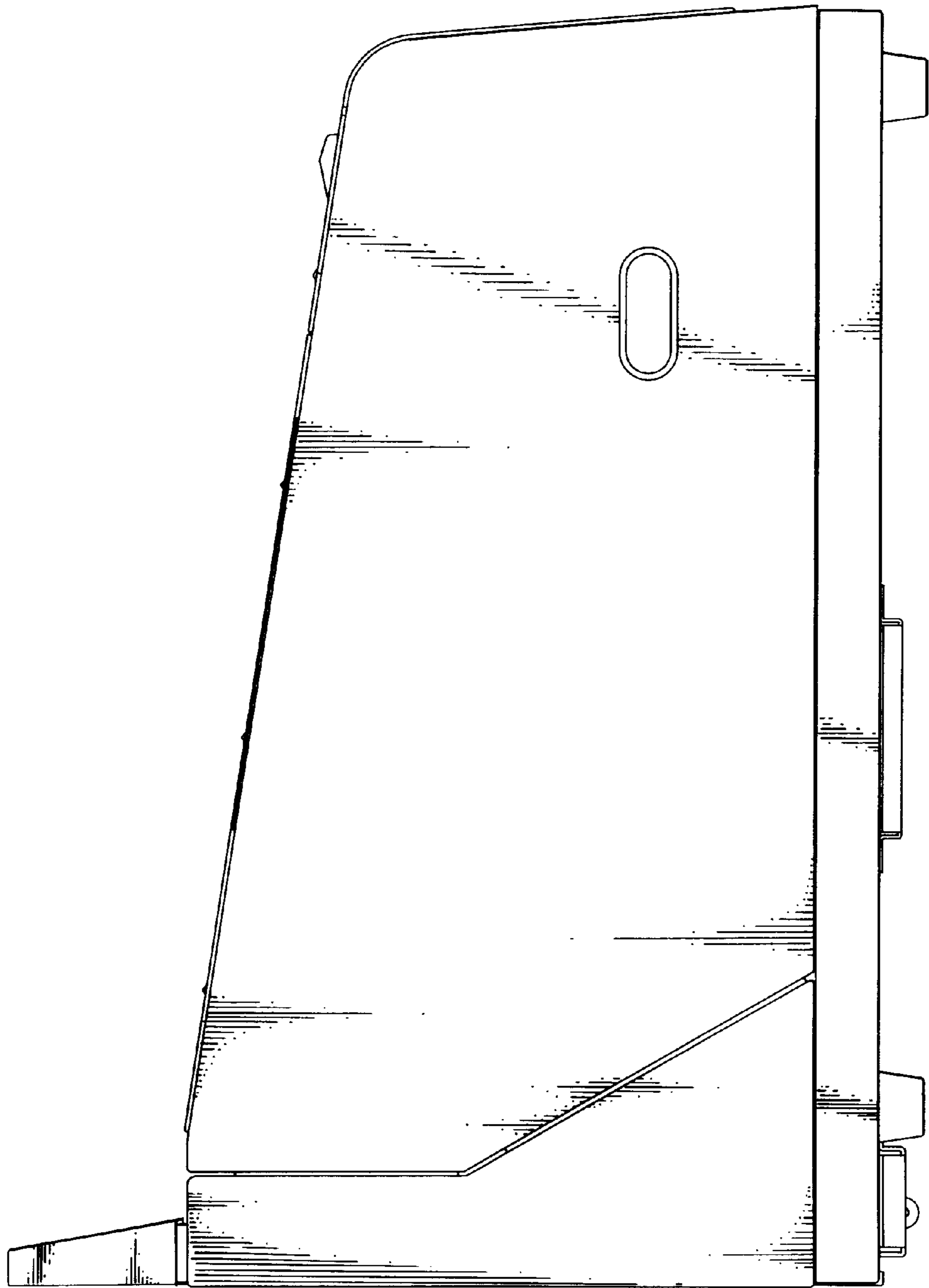


FIG. 5

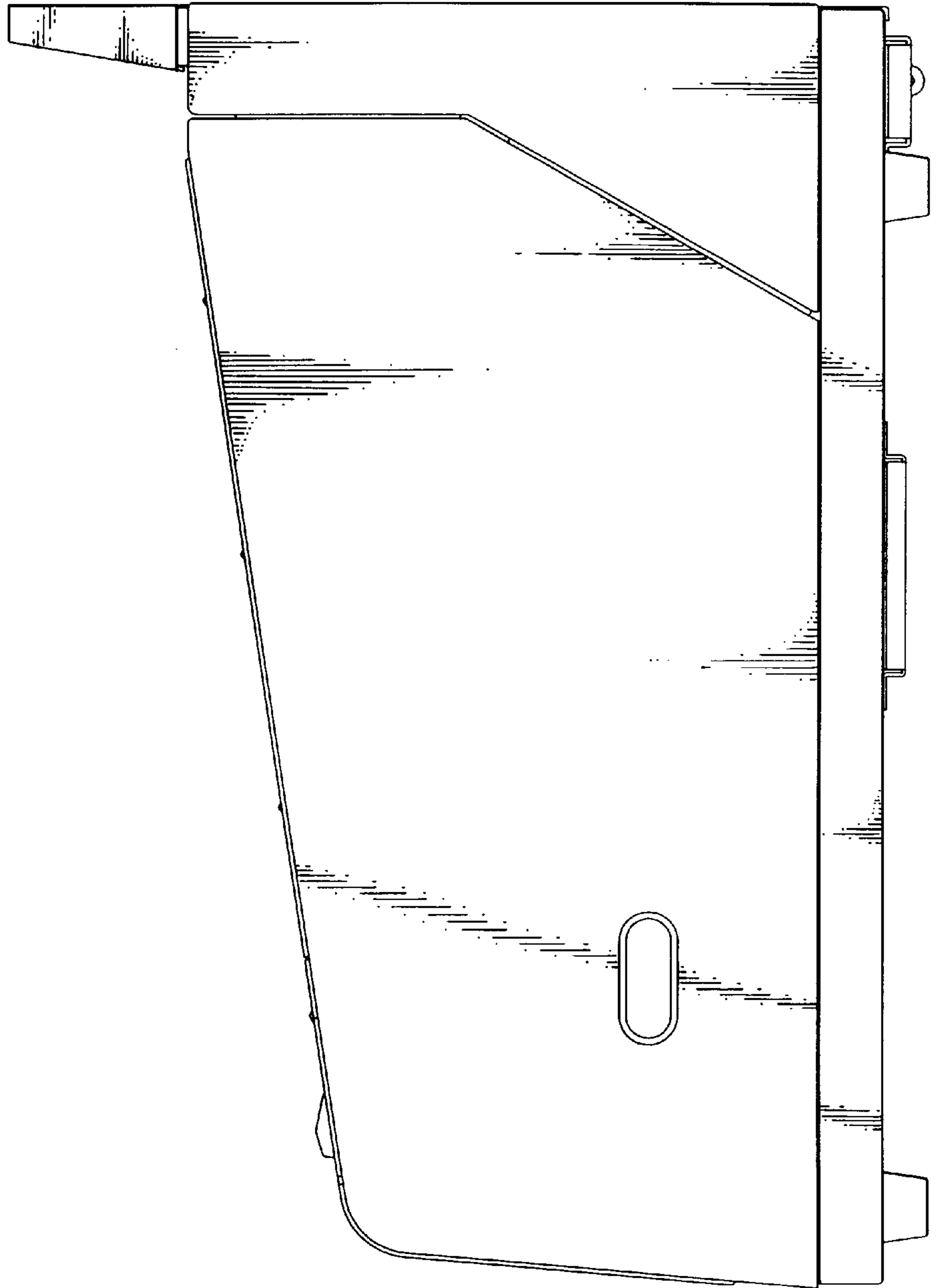


FIG. 6

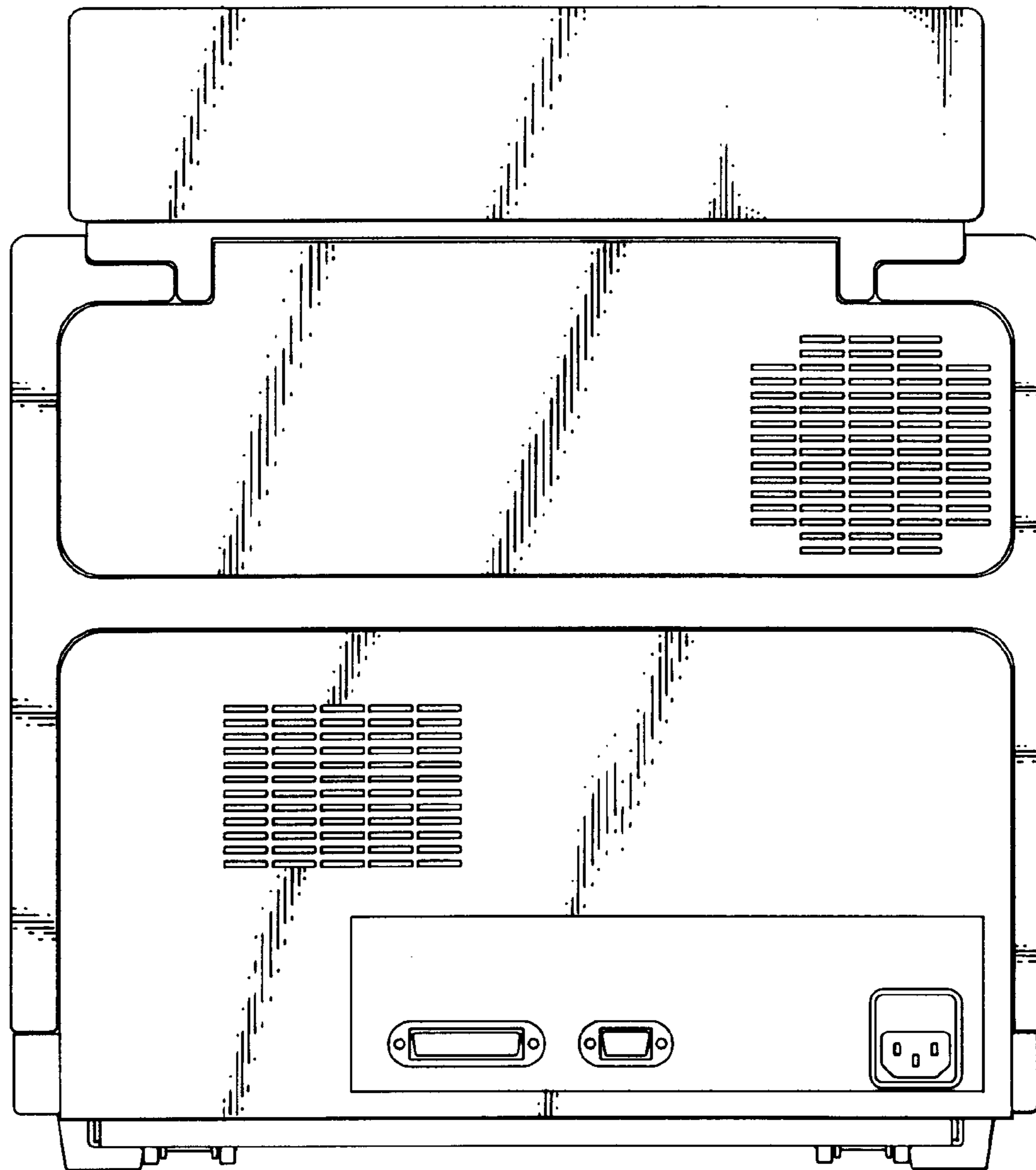


FIG. 7

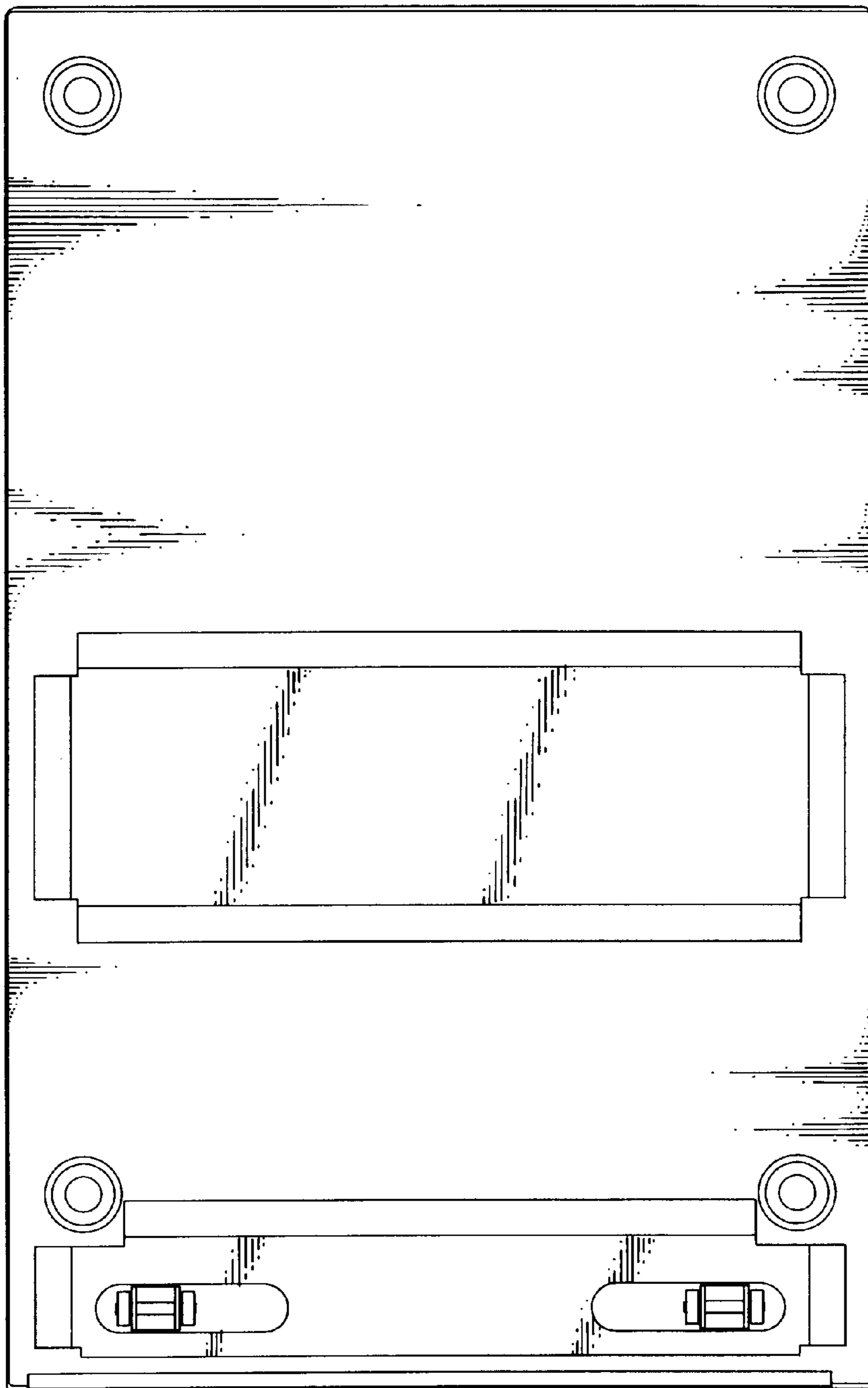


FIG. 8

