



US00D438555S

(12) **United States Design Patent**
Shiota

(10) **Patent No.:** **US D438,555 S**

(45) **Date of Patent:** **** Mar. 6, 2001**

- (54) **LIQUID CRYSTAL PROJECTOR**
- (75) Inventor: **Yoshihiro Shiota, Kawasaki (JP)**
- (73) Assignee: **Fujitsu General Limited, Kanagawa-ken (JP)**
- (**) Term: **14 Years**
- (21) Appl. No.: **29/127,284**
- (22) Filed: **Aug. 4, 2000**
- (30) **Foreign Application Priority Data**
Feb. 10, 2000 (JP) 12-002207
- (51) **LOC (7) Cl.** **16-02**
- (52) **U.S. Cl.** **D16/231; D16/225**
- (58) **Field of Search** **D16/200, 202, D16/203, 205, 208, 221, 225, 230, 231, 234; D21/514; 349/5, 7, 8, 9, 58; 352/34, 242; 353/115, 119, 122**

(56) **References Cited**

U.S. PATENT DOCUMENTS

- D. 420,031 * 2/2000 Yamano D16/230
- D. 420,691 * 2/2000 Adachi D16/231
- D. 421,036 * 2/2000 Oota et al. D16/231
- D. 422,003 * 3/2000 Takizawa D16/231
- D. 422,292 * 4/2000 Takizawa D16/231
- D. 424,090 * 5/2000 Ko et al. D16/231

5,868,485 * 2/1999 Fujimori et al. 353/119

FOREIGN PATENT DOCUMENTS

1047391 8/1999 (JP) .

OTHER PUBLICATIONS

Sharp Catalog, Apr. 1998, cover page (XV-N1100 and XV-X1000 projectors).*

* cited by examiner

Primary Examiner—Adir Aronovich

(74) *Attorney, Agent, or Firm*—Sughrue, Mion, Zinn, Macpeak & Seas, PLLC

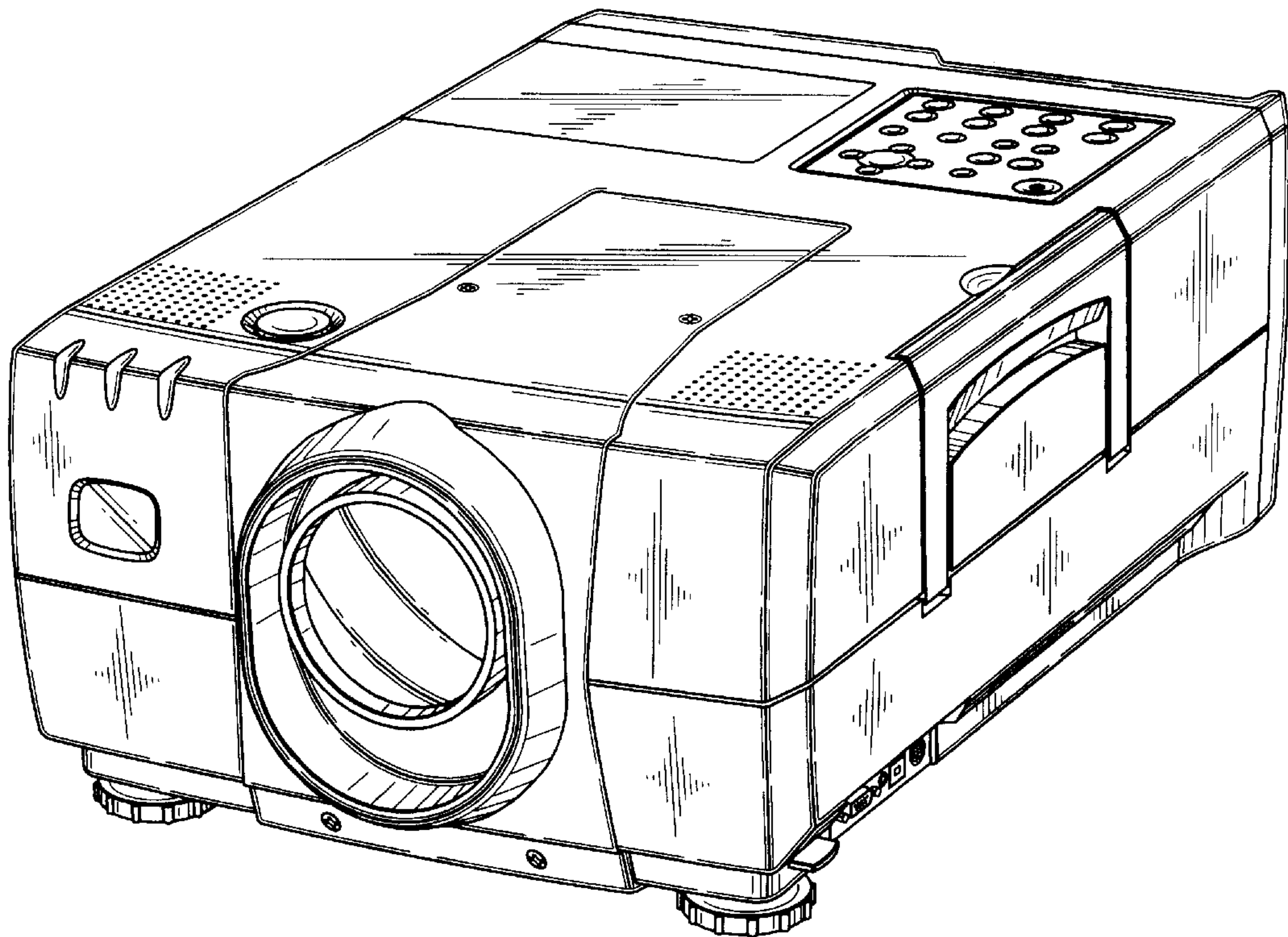
(57) **CLAIM**

The ornamental design for a liquid crystal projector, as shown and described.

DESCRIPTION

FIG. 1 is a perspective view of the top, front and right side of a liquid crystal projector showing my new design; FIG. 2 is a front elevational view thereof; FIG. 3 is a rear elevational view thereof; FIG. 4 is a top plan view thereof; FIG. 5 is a left side elevational view thereof; FIG. 6 is a right side elevational view thereof; and, FIG. 7 is a bottom plan view thereof.

1 Claim, 6 Drawing Sheets



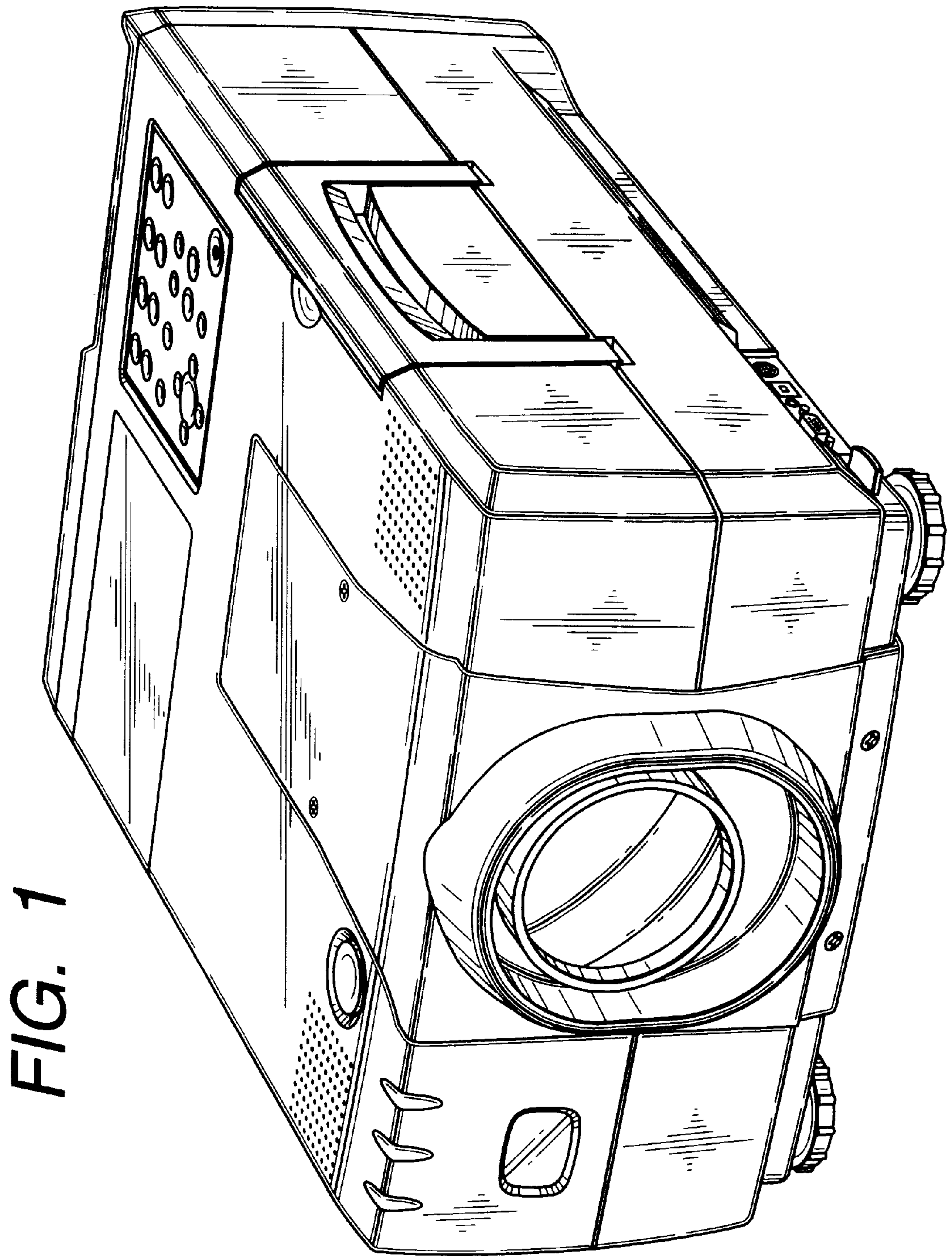


FIG. 1

FIG. 2

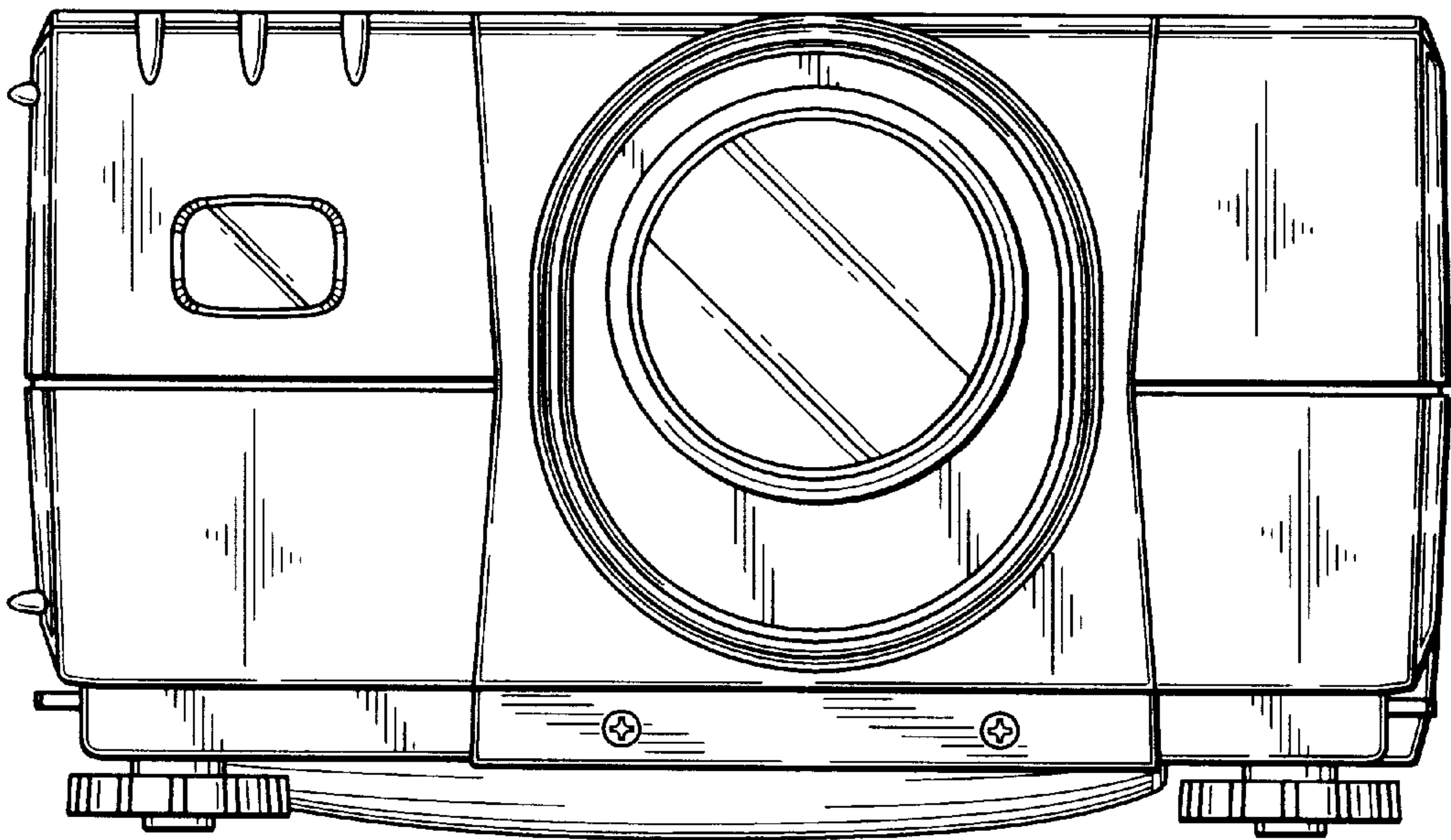


FIG. 3

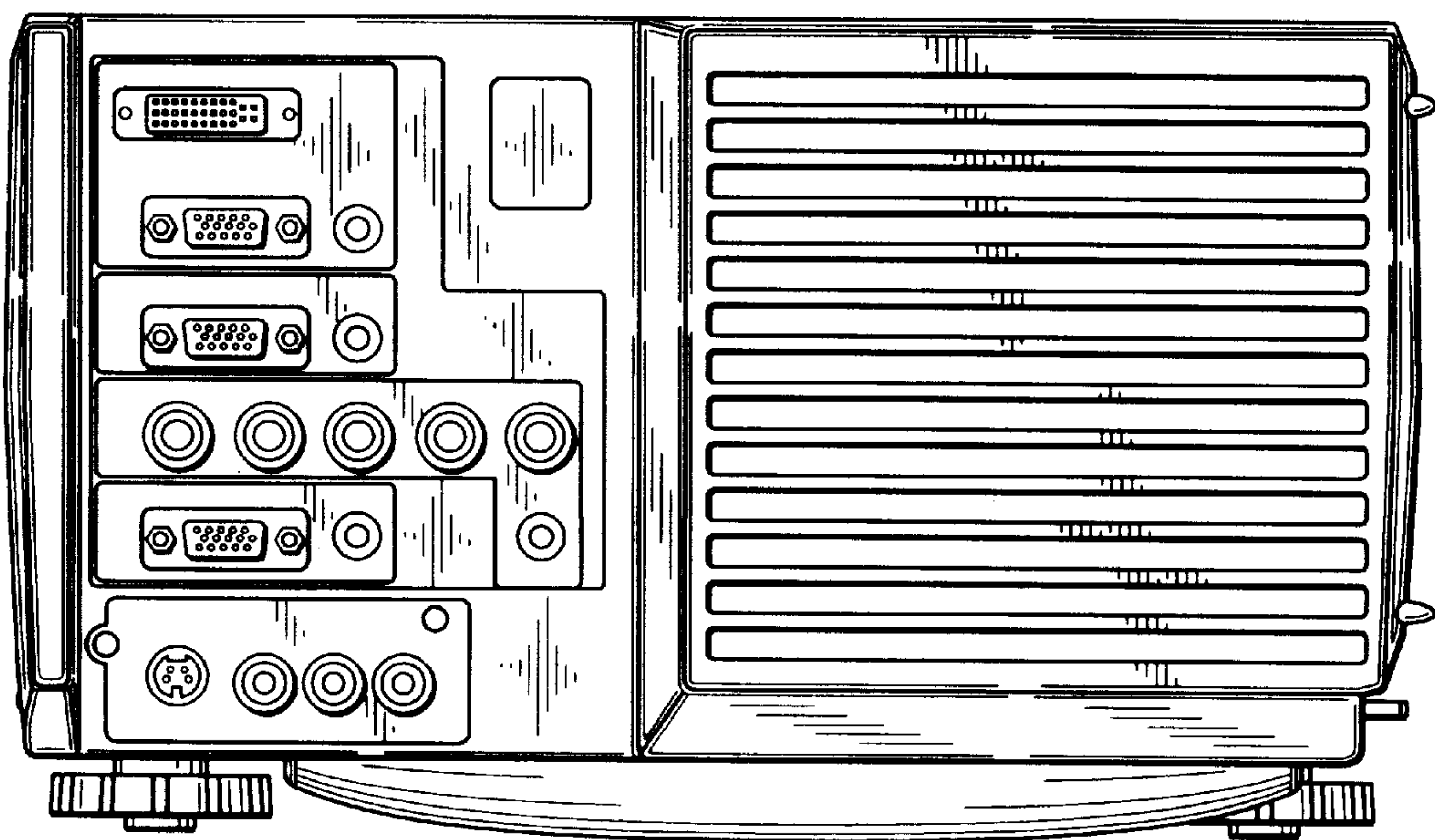


FIG. 4

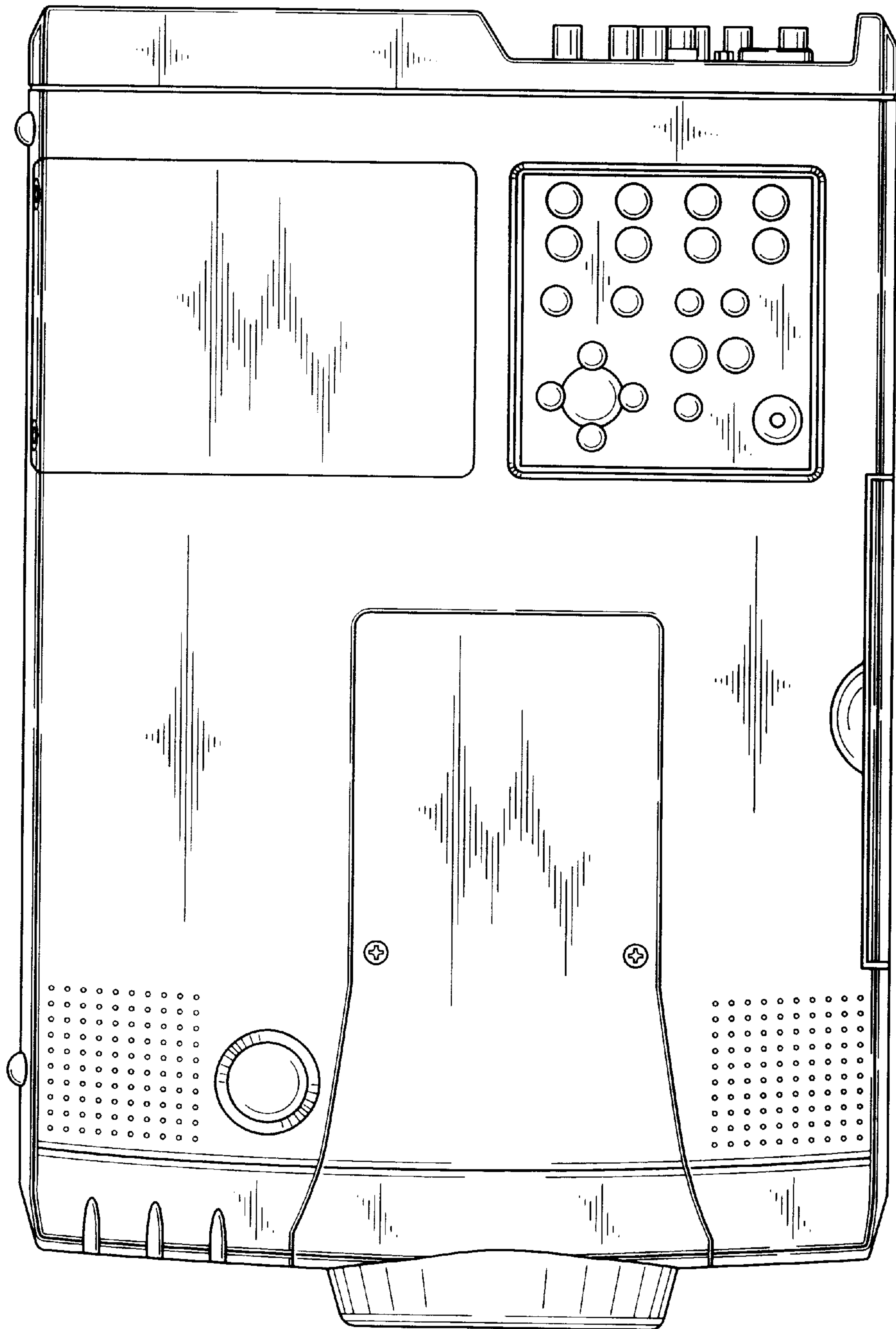


FIG. 5

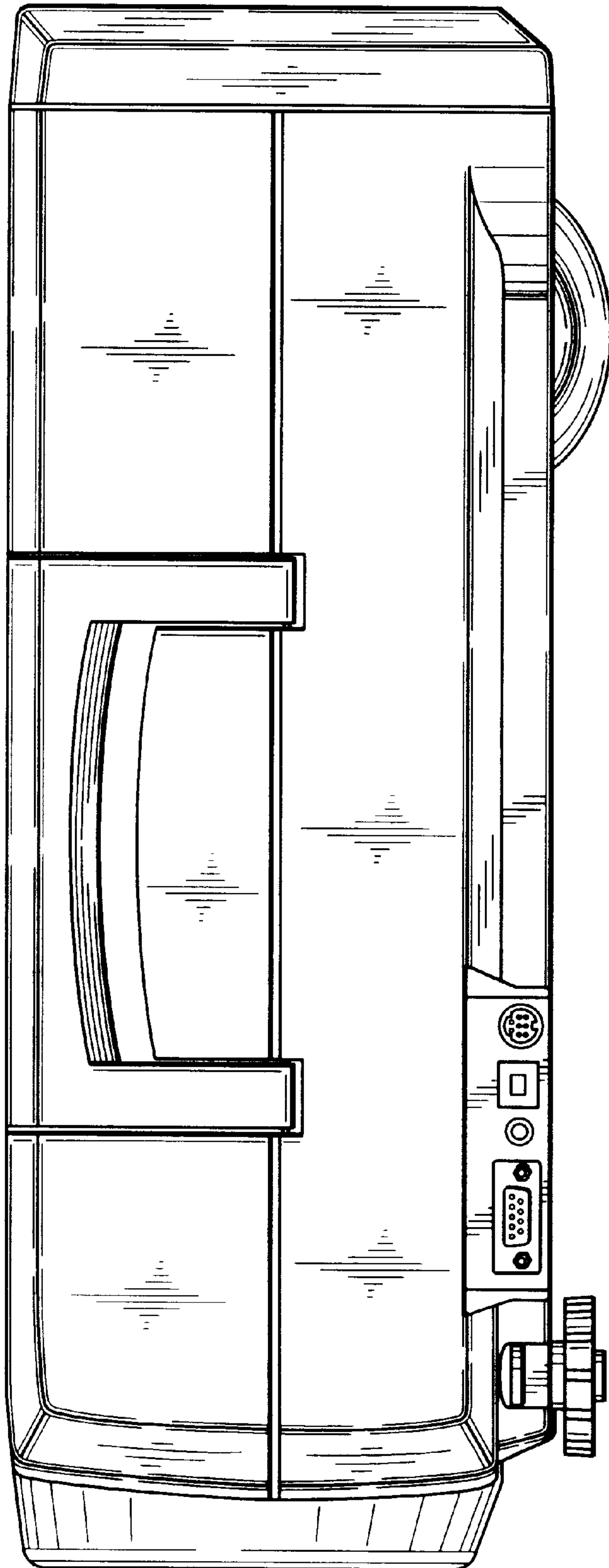


FIG. 6

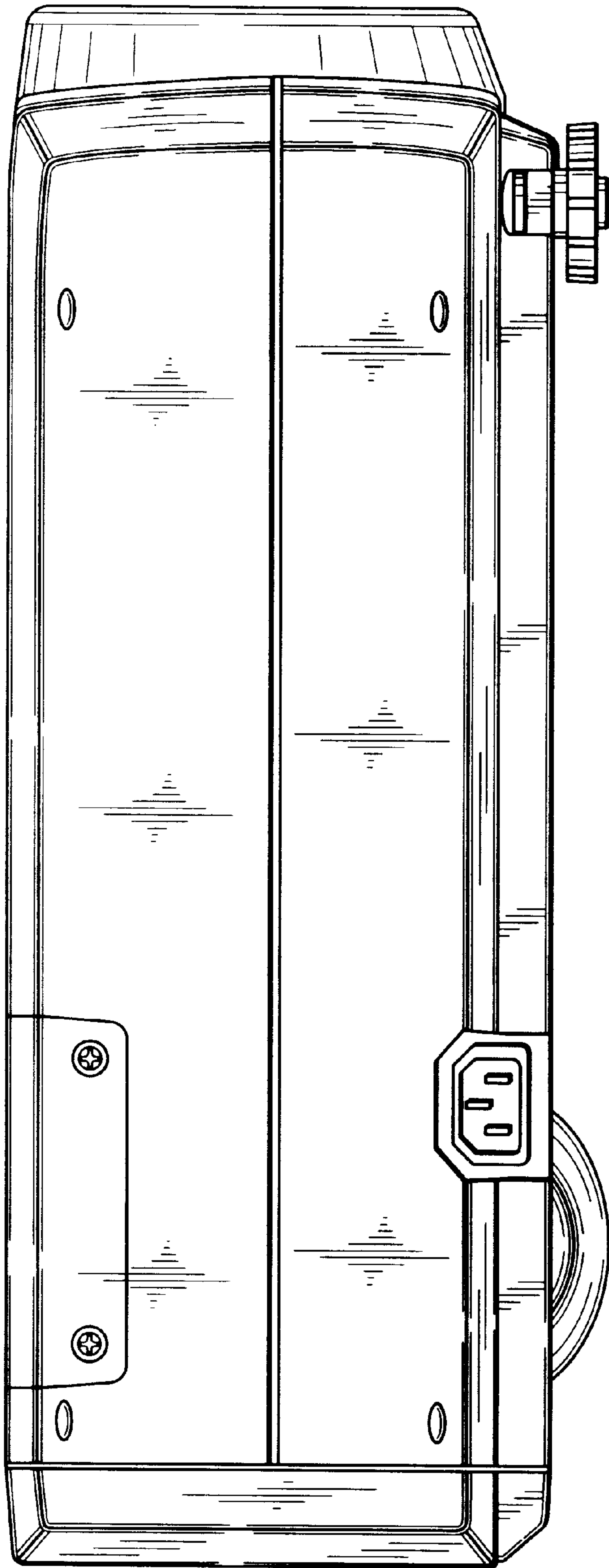


FIG. 7

