



US00D438551S

(12) **United States Design Patent**
Heikilla et al.

(10) **Patent No.:** **US D438,551 S**

(45) **Date of Patent:** **** Mar. 6, 2001**

(54) **FRAME**

(75) Inventors: **Ilkka Heikilla**, Deinze; **Gilbert Remue**, Aalter; **Frank Heyerick**, Deinze, all of (BE); **Johannes Ulrich**, Furstenfeldbruck (DE)

(73) Assignee: **Lillbacka Jetair Oy**, Kauhava (FI)

(**) Term: **14 Years**

(21) Appl. No.: **29/108,195**

(22) Filed: **Jul. 23, 1999**

(51) **LOC (7) Cl.** **15-09**

(52) **U.S. Cl.** **D15/141**

(58) **Field of Search** D15/141; 219/121.67,
219/121.75, 121.82, 121.83

(56) **References Cited**

U.S. PATENT DOCUMENTS

6,031,202 * 2/2000 Arakawa et al. 219/121.68

* cited by examiner

Primary Examiner—Antoine Duval Davis

(74) *Attorney, Agent, or Firm*—Louis Woo

(57) **CLAIM**

The ornamental design for a frame, as shown and described hereinabove.

DESCRIPTION

FIG. 1 is a perspective view of a frame having a cross beam supported by two truss structures, with rigidity added by means of base members;

FIG. 2 is another perspective view of the frame of FIG. 1;

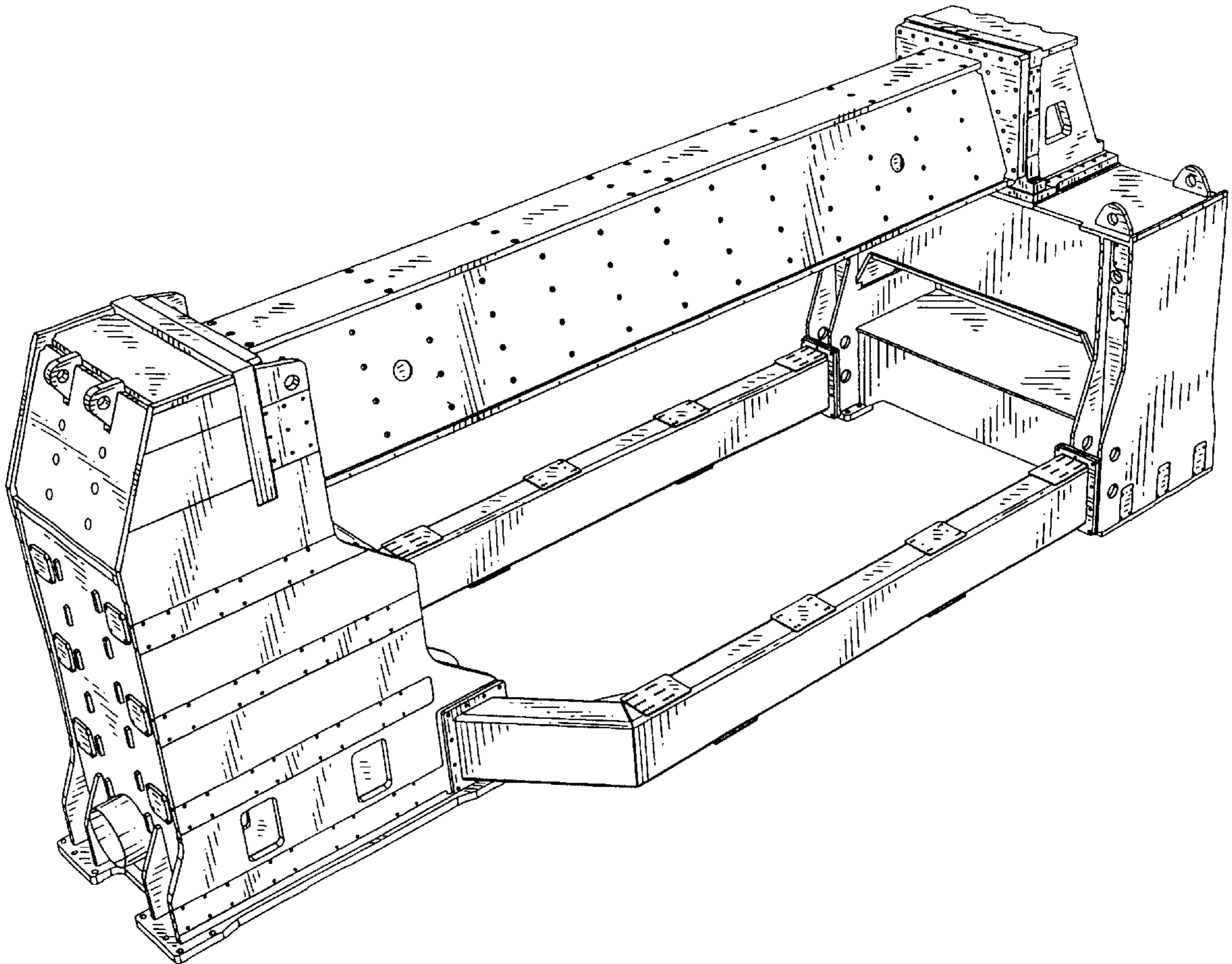
FIG. 3 is a side view of the frame of FIG. 1;

FIG. 4 is another side view of the frame of FIG. 1;

FIG. 5 is the top view of the frame of FIG. 1; and,

FIG. 6 is a bottom view of the frame of the instant invention.

1 Claim, 6 Drawing Sheets



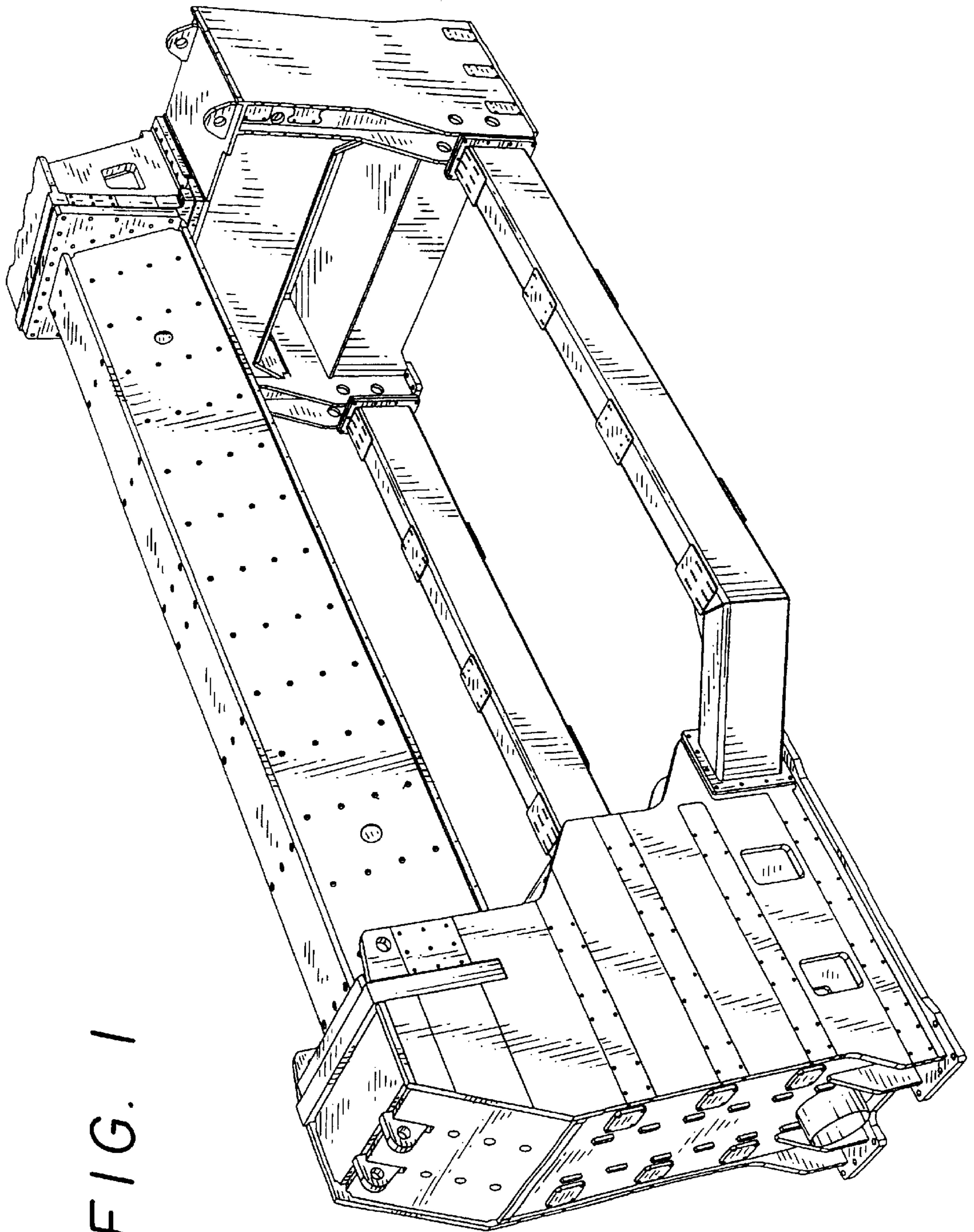


FIG. 1

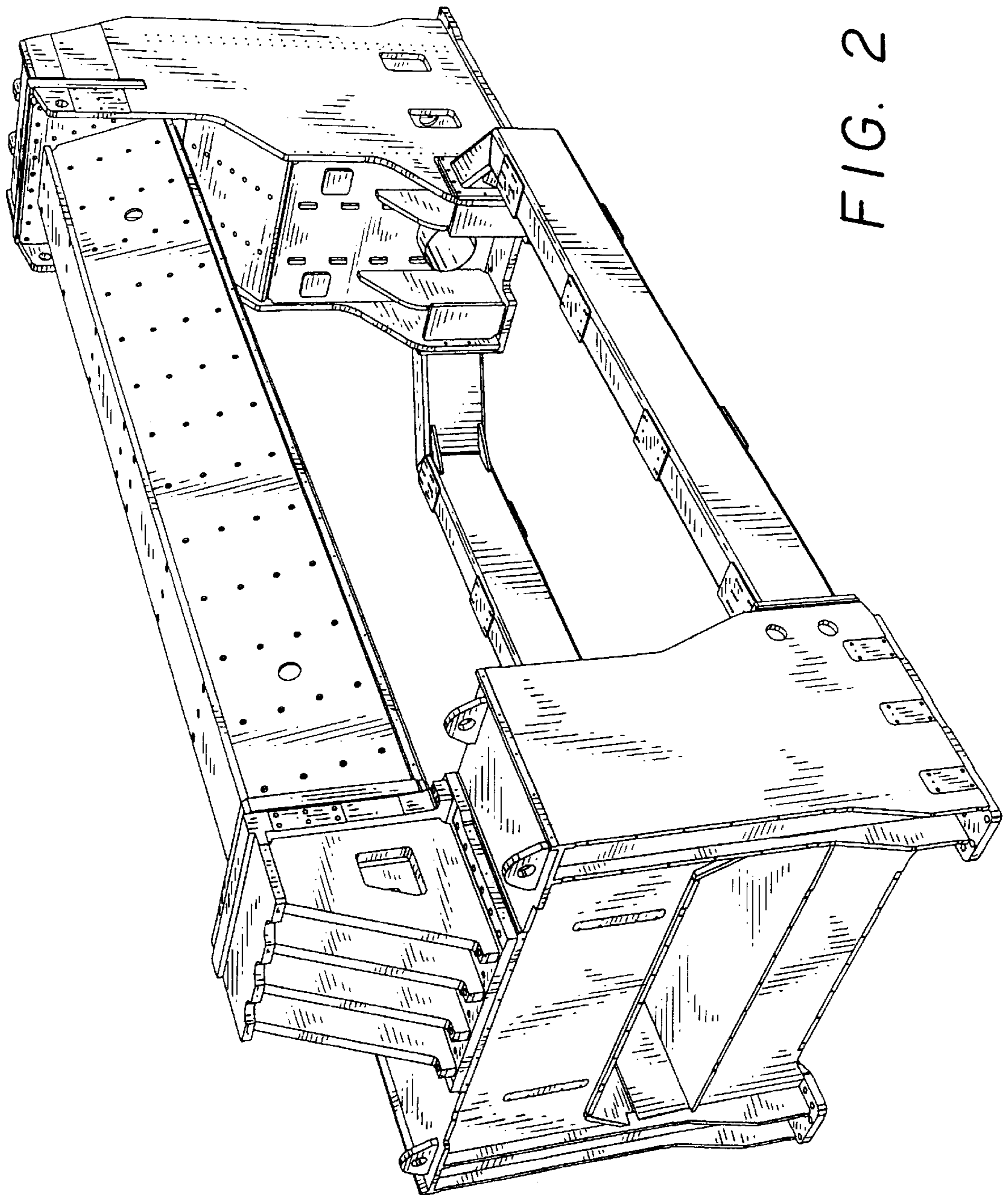


FIG. 2

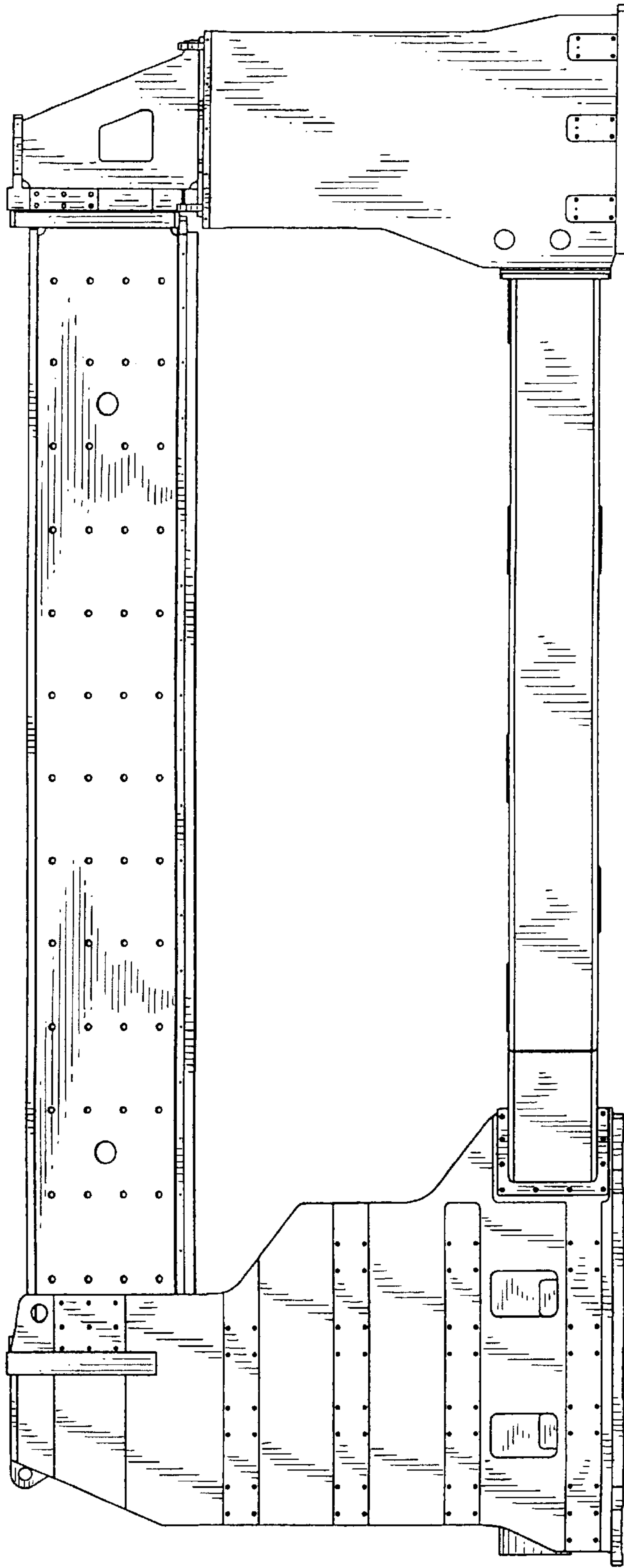


FIG. 3

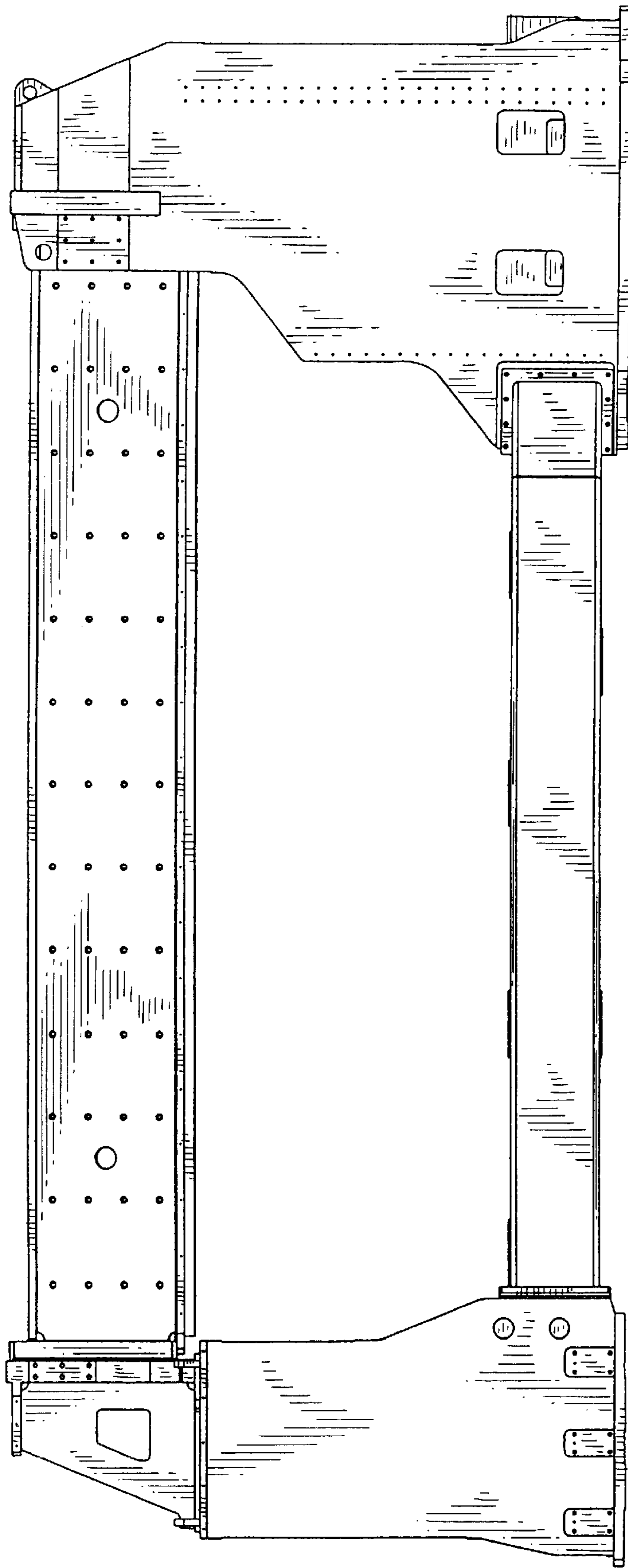


FIG. 4

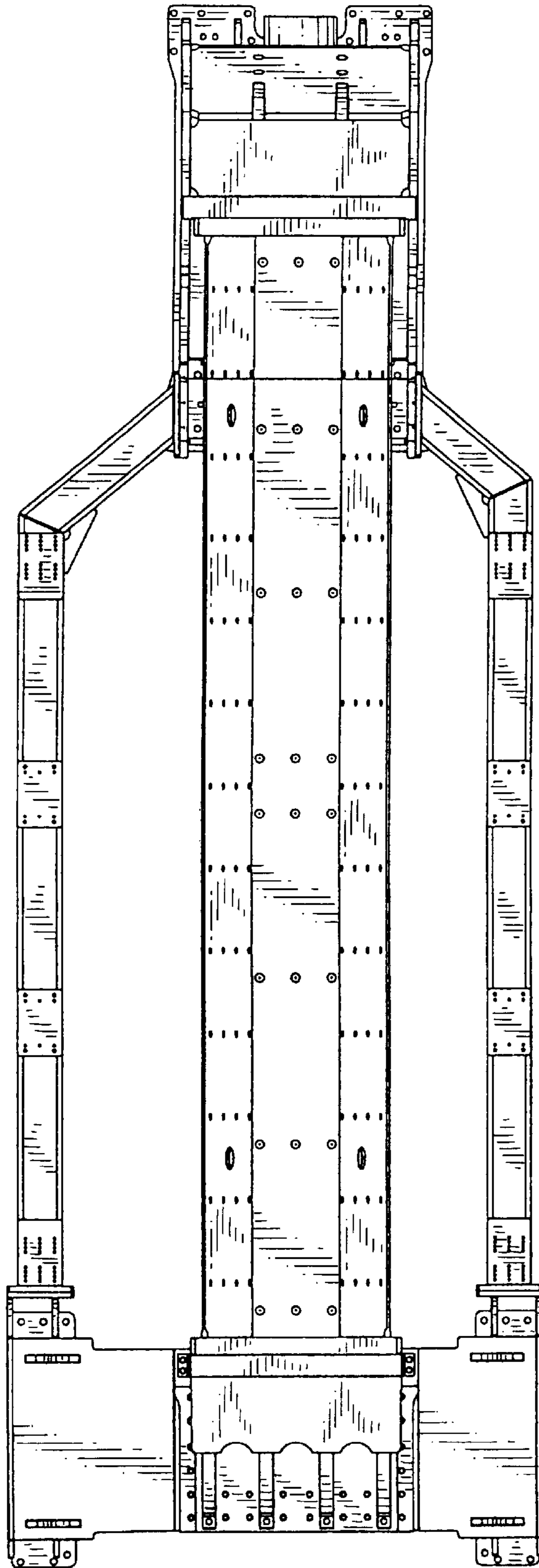


FIG. 5

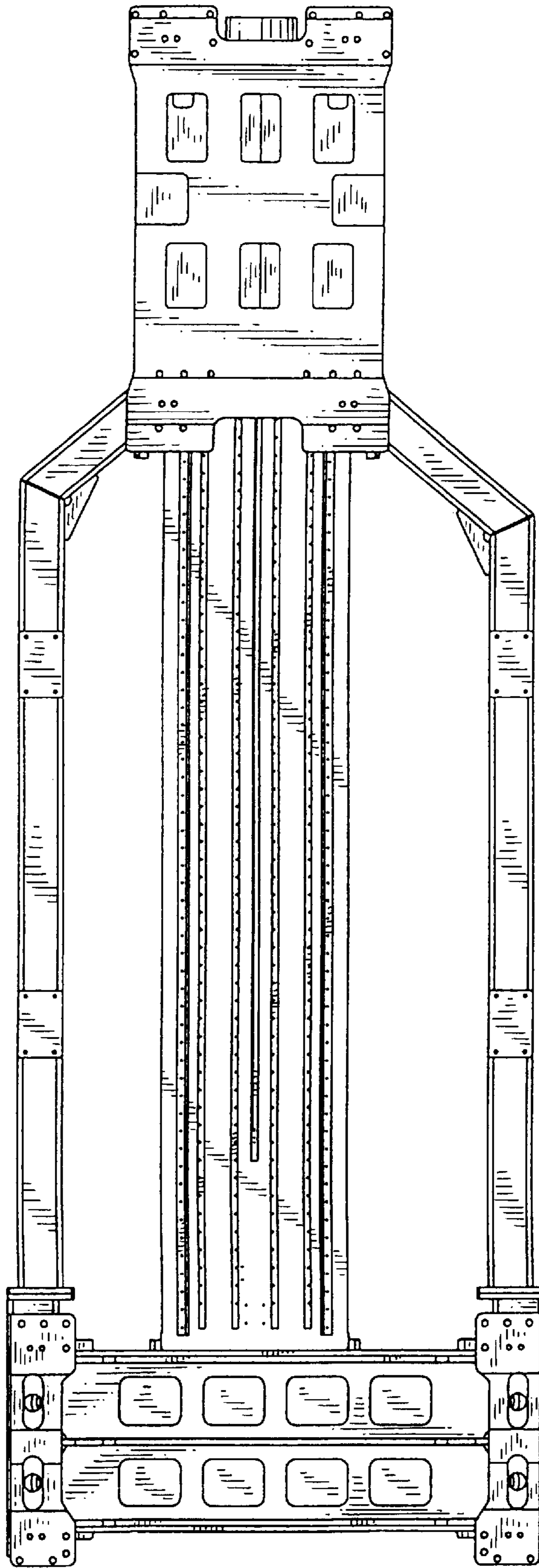


FIG. 6