



US00D438547S

(12) **United States Design Patent**
Wang

(10) **Patent No.:** **US D438,547 S**

(45) **Date of Patent:** **** Mar. 6, 2001**

(54) **PLANER**

(75) Inventor: **Kun Fu Wang**, Tali (TW)

(73) Assignee: **Mexon Industrial Corp., Ltd.**,
Taichung Hsien (TW)

(**) Term: **14 Years**

(21) Appl. No.: **29/109,229**

(22) Filed: **Aug. 13, 1999**

(51) **LOC (7) Cl.** **15-09**

(52) **U.S. Cl.** **D15/127**

(58) **Field of Search** D15/127; 144/112.1,
144/114.1, 117 R, 114 R, 124-127 A, 154.5,
129, 130, 218, 225, 228, 230, 242.5, 245.1,
246.1, 250.2, 253.2, 253.8, 253.5, 252.1,
375; 408/115 R, 241 S; 409/175, 181; 606/79,
88, 172

(56) **References Cited**

U.S. PATENT DOCUMENTS

D. 311,192 * 10/1990 Juang D15/127

D. 387,070 * 12/1997 Welsh D15/127

* cited by examiner

Primary Examiner—Antoine Duval Davis

(74) *Attorney, Agent, or Firm*—Rosenberg, Klein & Lee

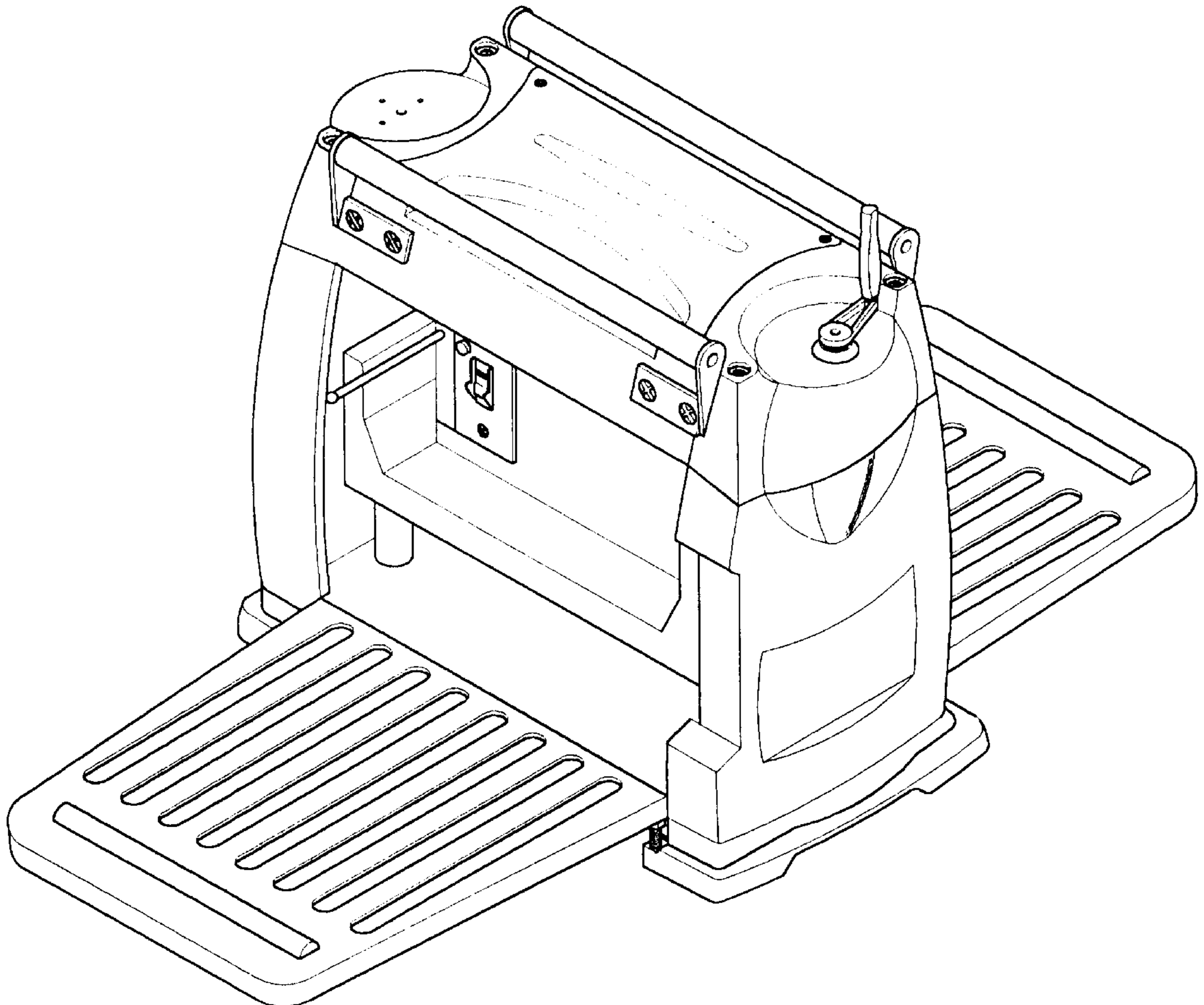
(57) **CLAIM**

The ornamental design for a planer, as shown and described.

DESCRIPTION

FIG. 1 is a front-right-top perspective view of a planer, showing my new design;
FIG. 2 is a front elevational view thereof;
FIG. 3 is a rear elevational view thereof;
FIG. 4 is a left side view thereof;
FIG. 5 is a right side view thereof;
FIG. 6 is a top plan view thereof;
FIG. 7 is a bottom plan view thereof; and,
FIG. 8 is a front-right-top perspective view of the planer of my new design, wherein the two plates on the front and the rear end of the planer are folded and secured to the body of the planer.

1 Claim, 8 Drawing Sheets



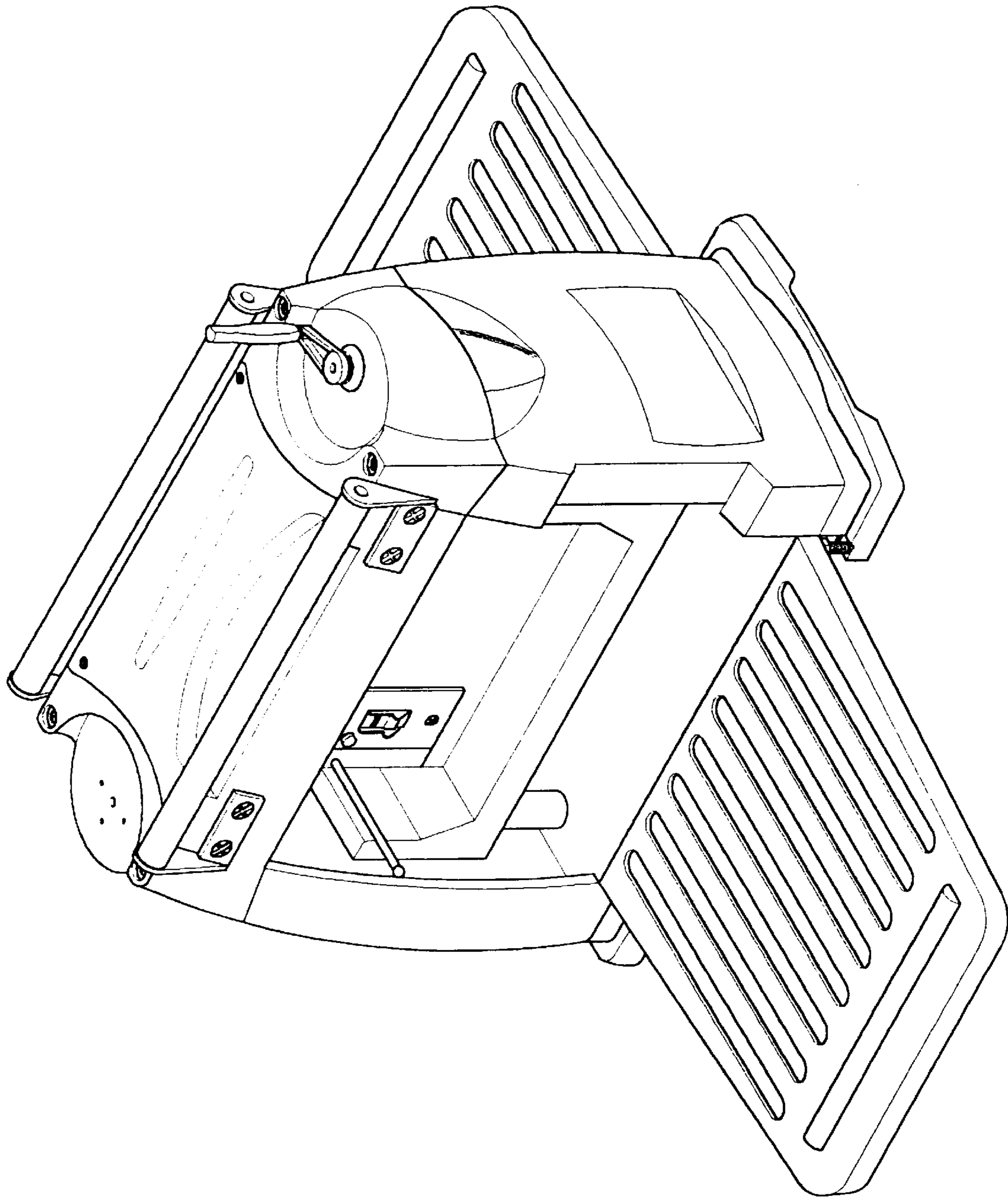


FIG.1

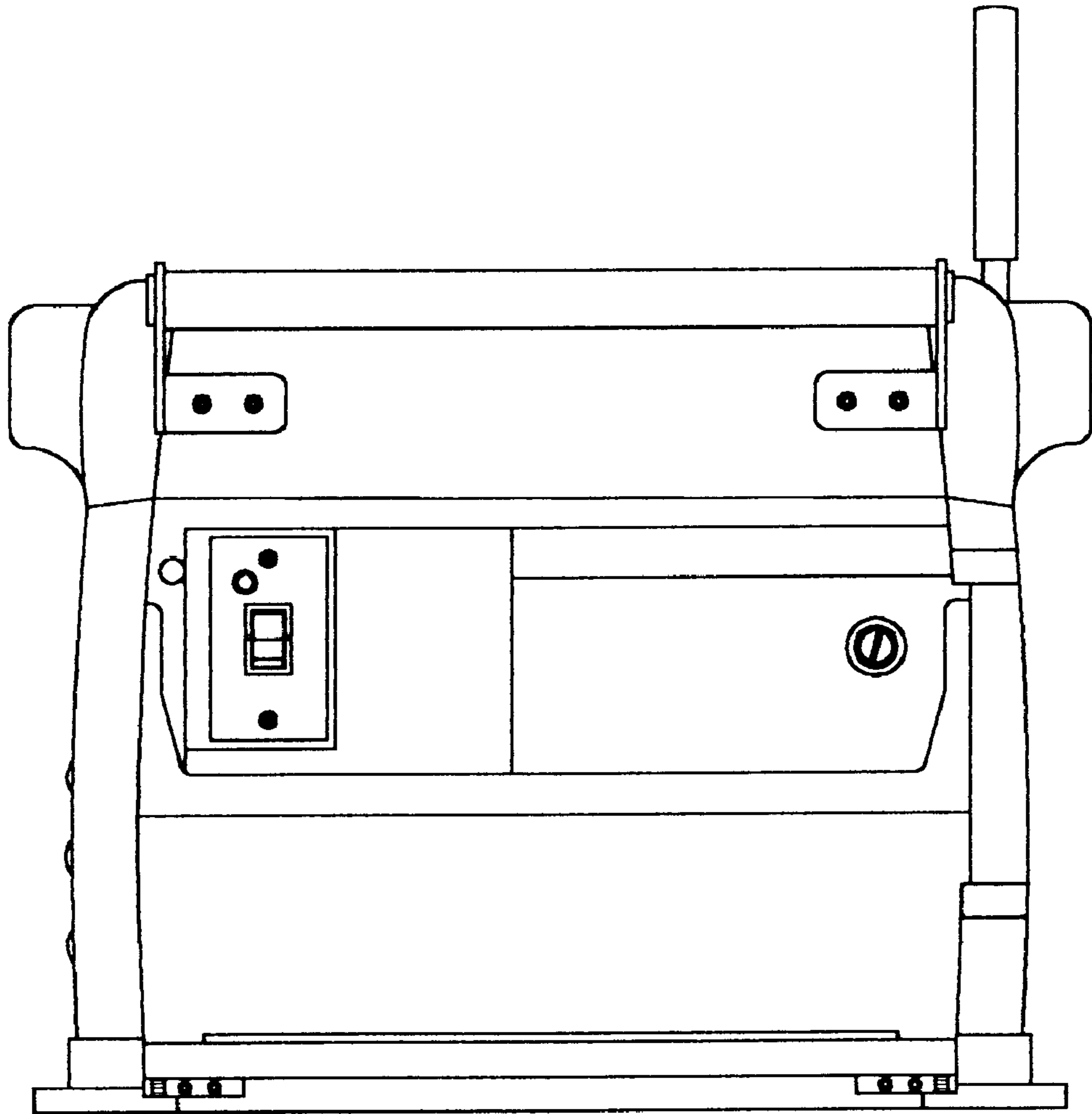


FIG.2

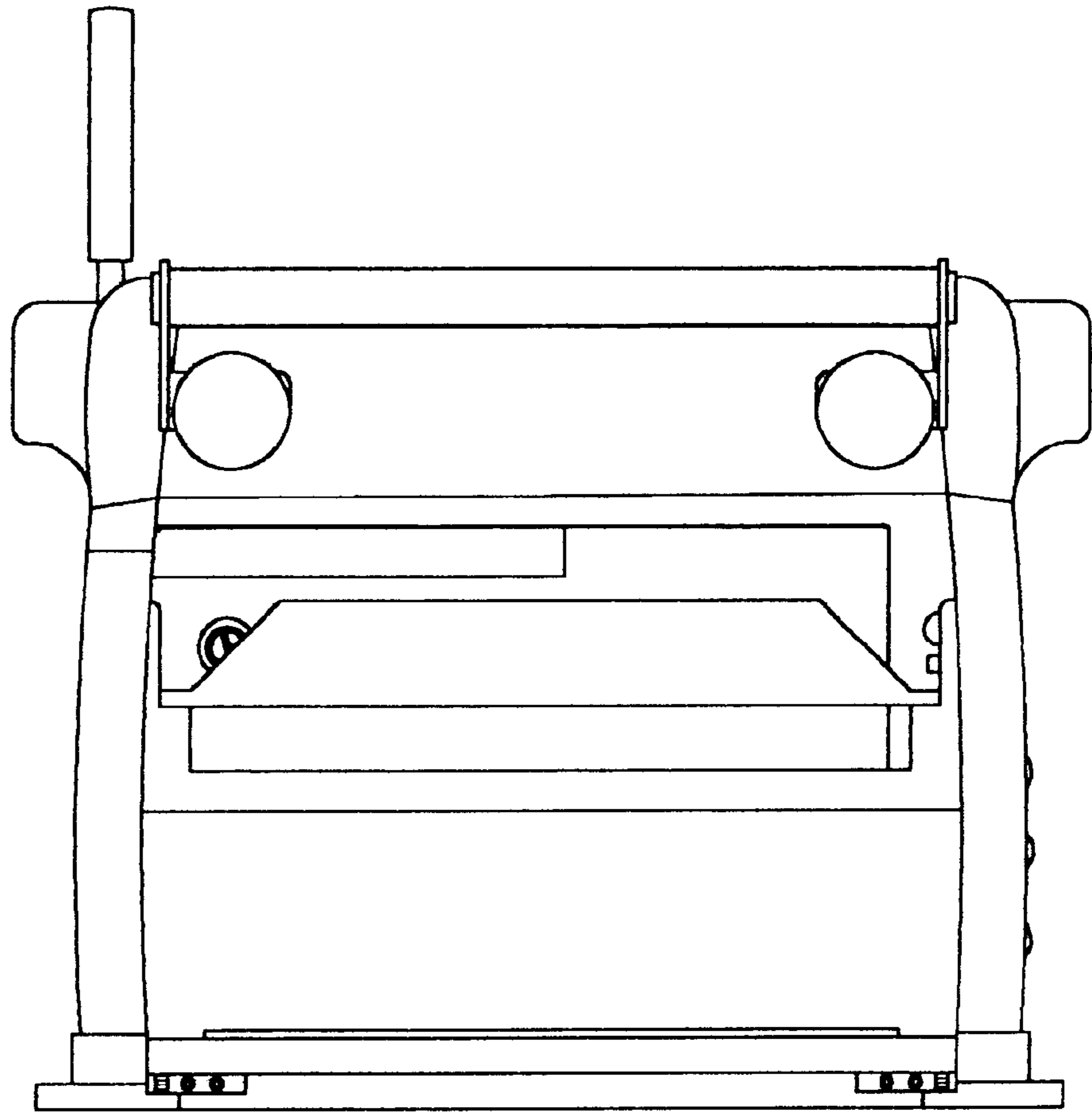


FIG. 3

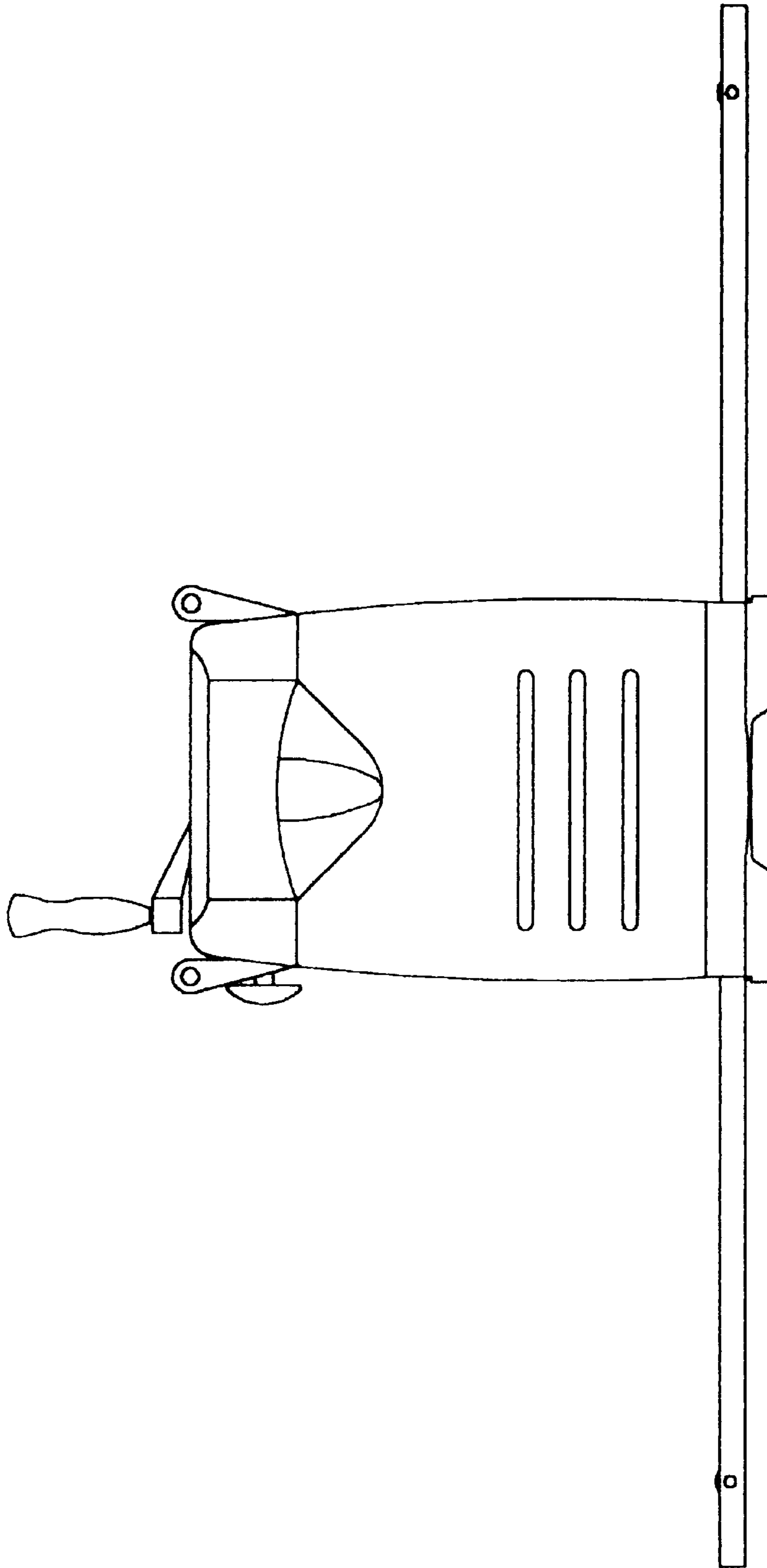


FIG.4

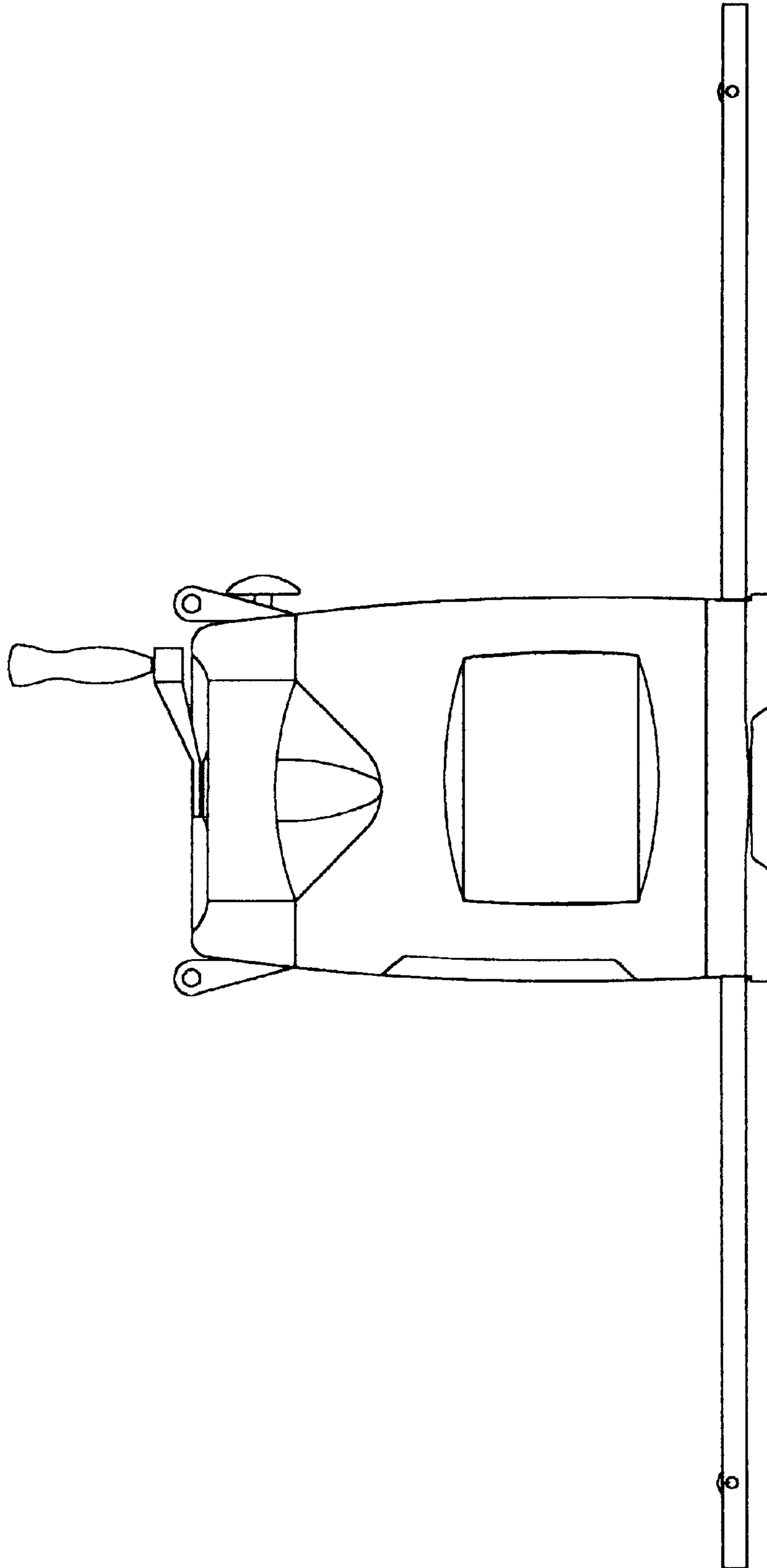


FIG.5

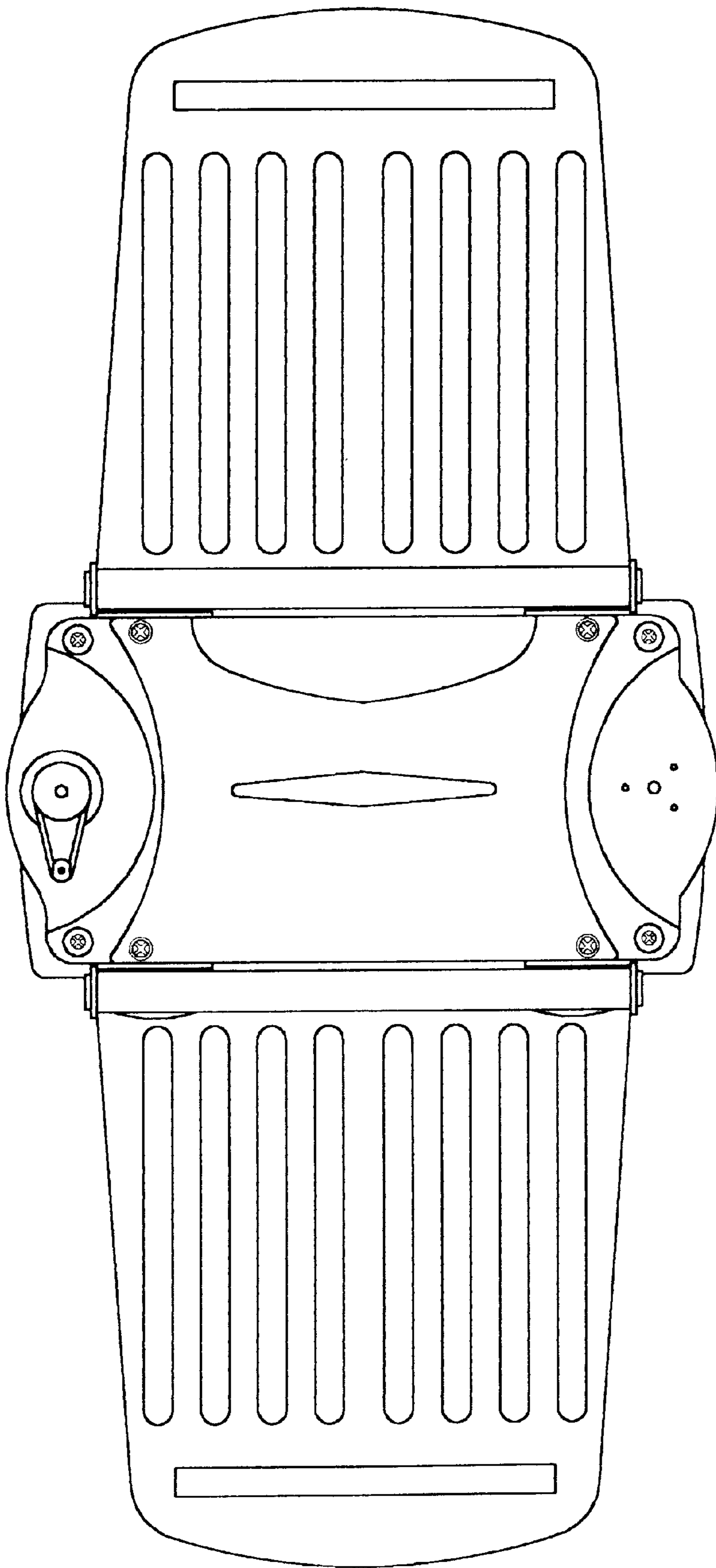


FIG.6

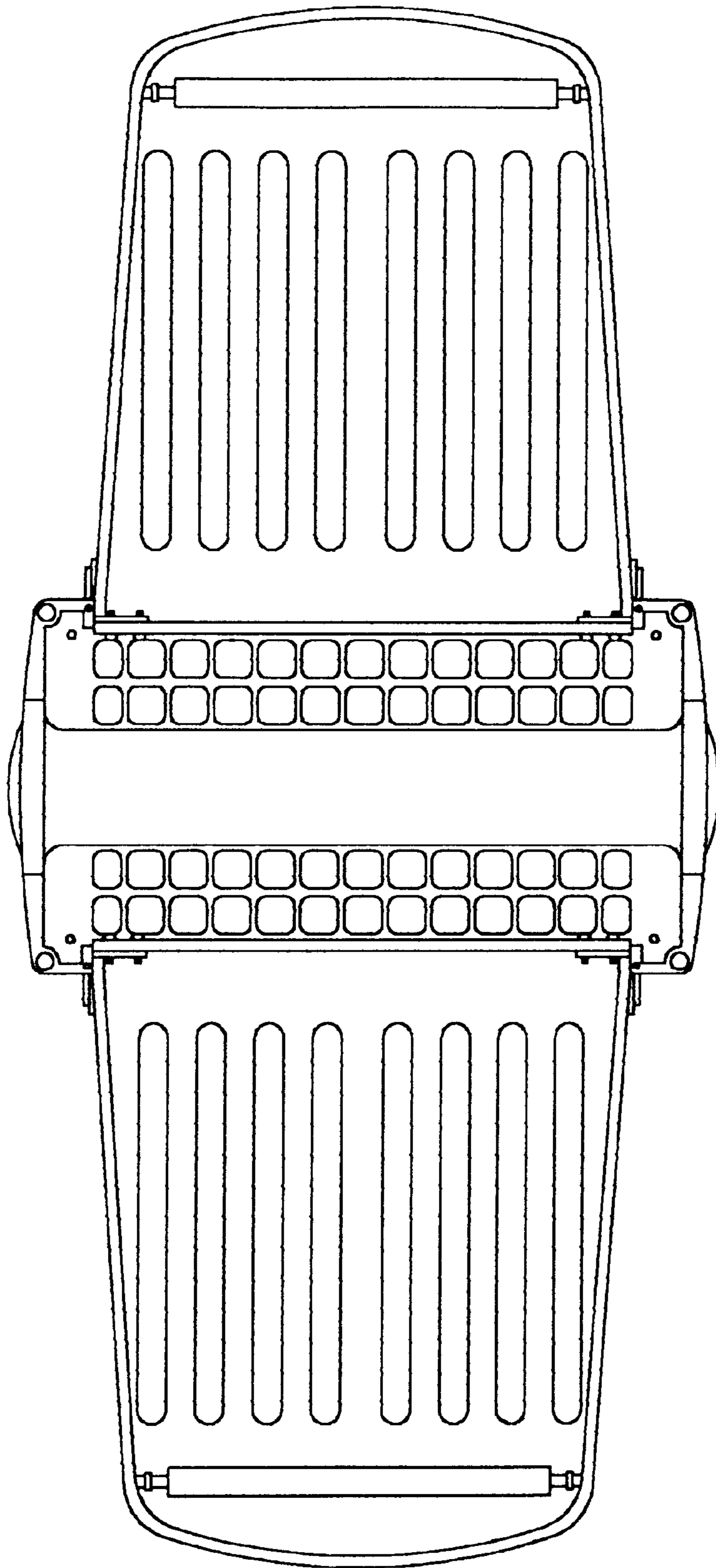


FIG. 7

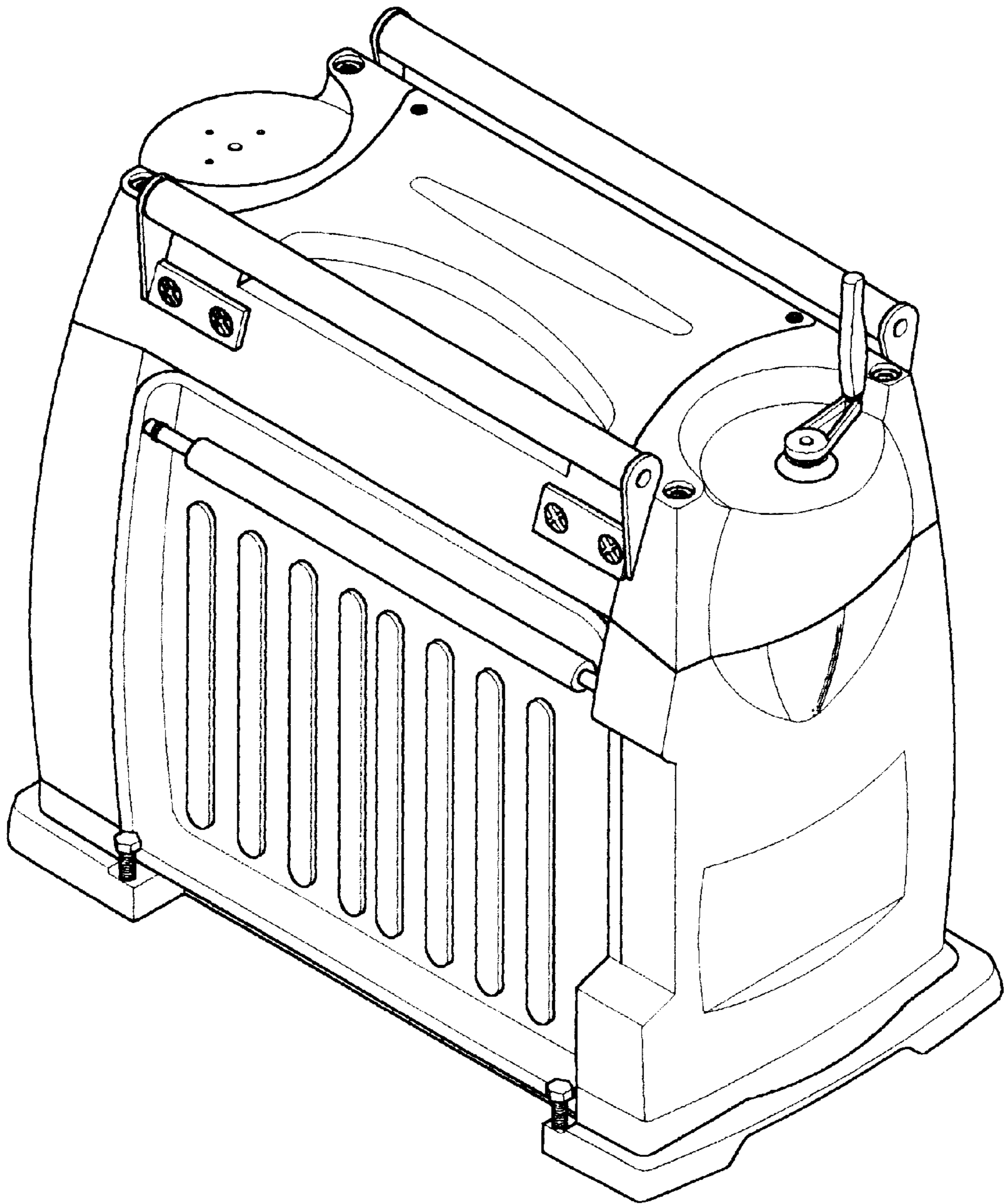


FIG. 8