



US00D438546S

(12) **United States Design Patent**
Katoh et al.

(10) **Patent No.:** **US D438,546 S**

(45) **Date of Patent:** **** Mar. 6, 2001**

(54) **AGRICULTURAL TRACTOR**

(75) **Inventors:** **Hisato Katoh; Mamoru Kawaguchi,**
both of Sakai; **Kentaro Nakamura,**
Wakayama, all of (JP)

(73) **Assignee:** **Kubota Corporation (JP)**

(**) **Term:** **14 Years**

(21) **Appl. No.:** **29/110,775**

(22) **Filed:** **Sep. 13, 1999**

(30) **Foreign Application Priority Data**

Jul. 8, 1999 (JP) 11-18365

(51) **LOC (7) Cl.** **15-03**

(52) **U.S. Cl.** **D15/23**

(58) **Field of Search** D15/10, 15, 22-26;
56/12.7, 15.8, 200, 202, 255, 320.1, 320.2;
180/89.1, 89.12, 900

(56) **References Cited**

U.S. PATENT DOCUMENTS

- D. 258,824 * 4/1981 Funabashi D15/23
- D. 312,465 * 11/1990 Yaguchi et al. D15/23
- D. 378,755 * 4/1997 Kato et al. D15/23
- D. 422,606 * 4/2000 Katoh et al. D15/23

OTHER PUBLICATIONS

Tiger Rotary Mower cover.*

* cited by examiner

Primary Examiner—Sandra L. Morris

(74) *Attorney, Agent, or Firm*—Webb Ziesenheim Logsdon
Orkin & Hanson, P.C.

(57) **CLAIM**

The ornamental design of an agricultural tractor, as shown
and described.

DESCRIPTION

FIG. 1 is a front view of our agricultural tractor;
 FIG. 2 is a rear view thereof;
 FIG. 3 is a right side view thereof;
 FIG. 4 is a left side view thereof;
 FIG. 5 is a top plan view thereof;
 FIG. 6 is a bottom view thereof;
 FIG. 7 is a front view of our agricultural tractor according
 to a second embodiment of our ornamental design;
 FIG. 8 is a rear view of the second embodiment;
 FIG. 9 is a right side view of the second embodiment;
 FIG. 10 is a left side view of the second embodiment;
 FIG. 11 is a top plan view of the second embodiment; and,
 FIG. 12 is a bottom view of the second embodiment.

1 Claim, 12 Drawing Sheets

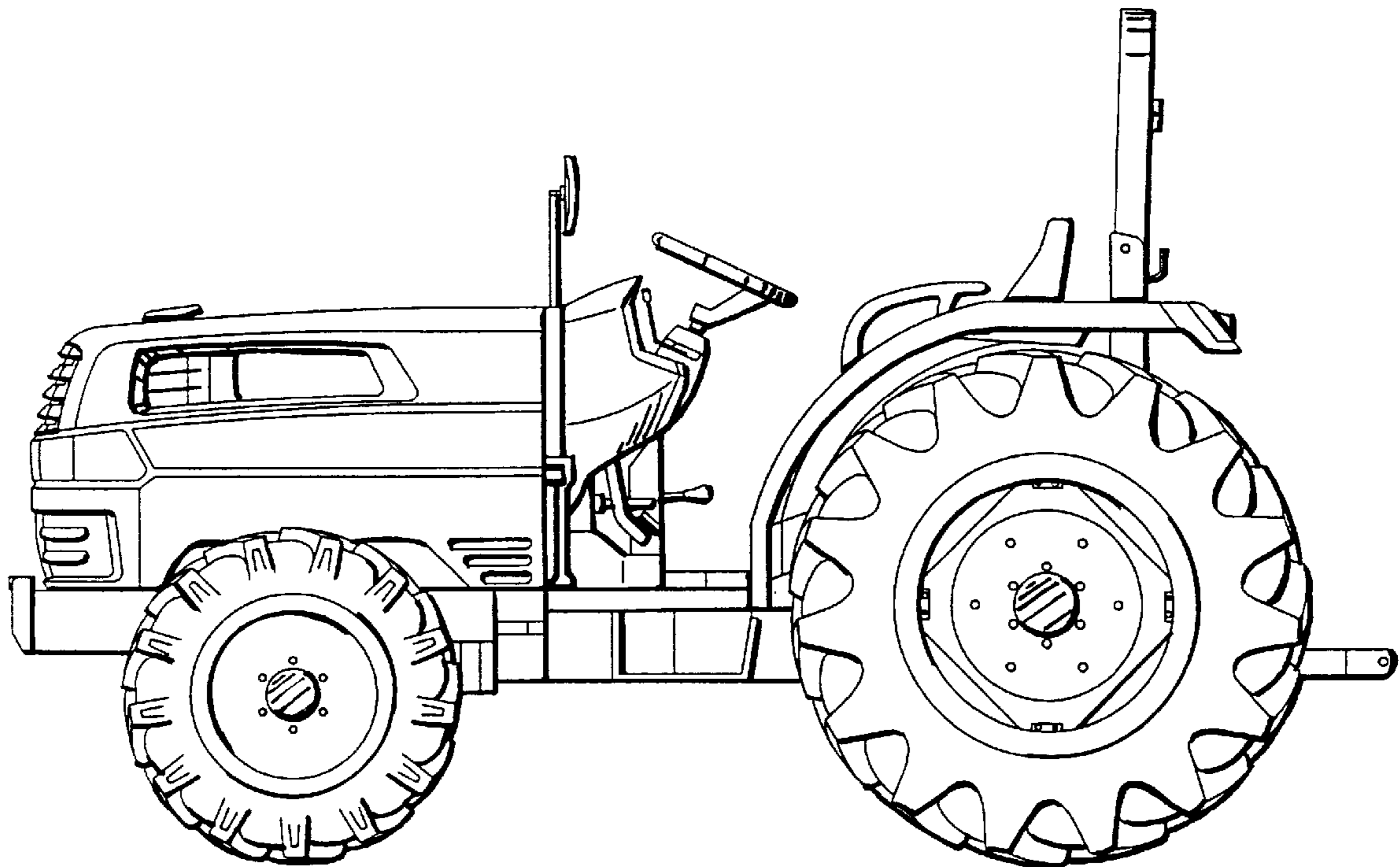


FIG. 1

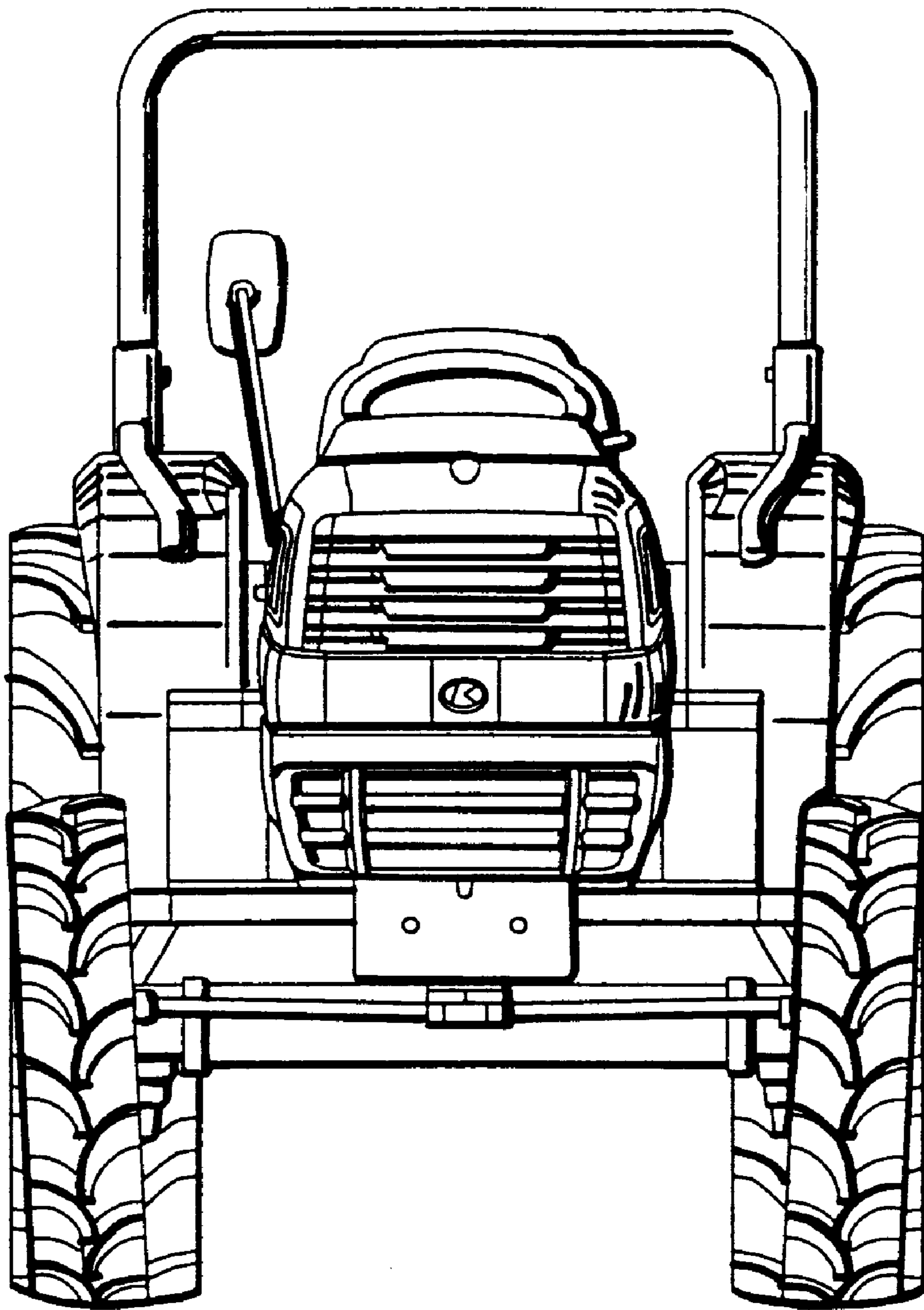


FIG. 2

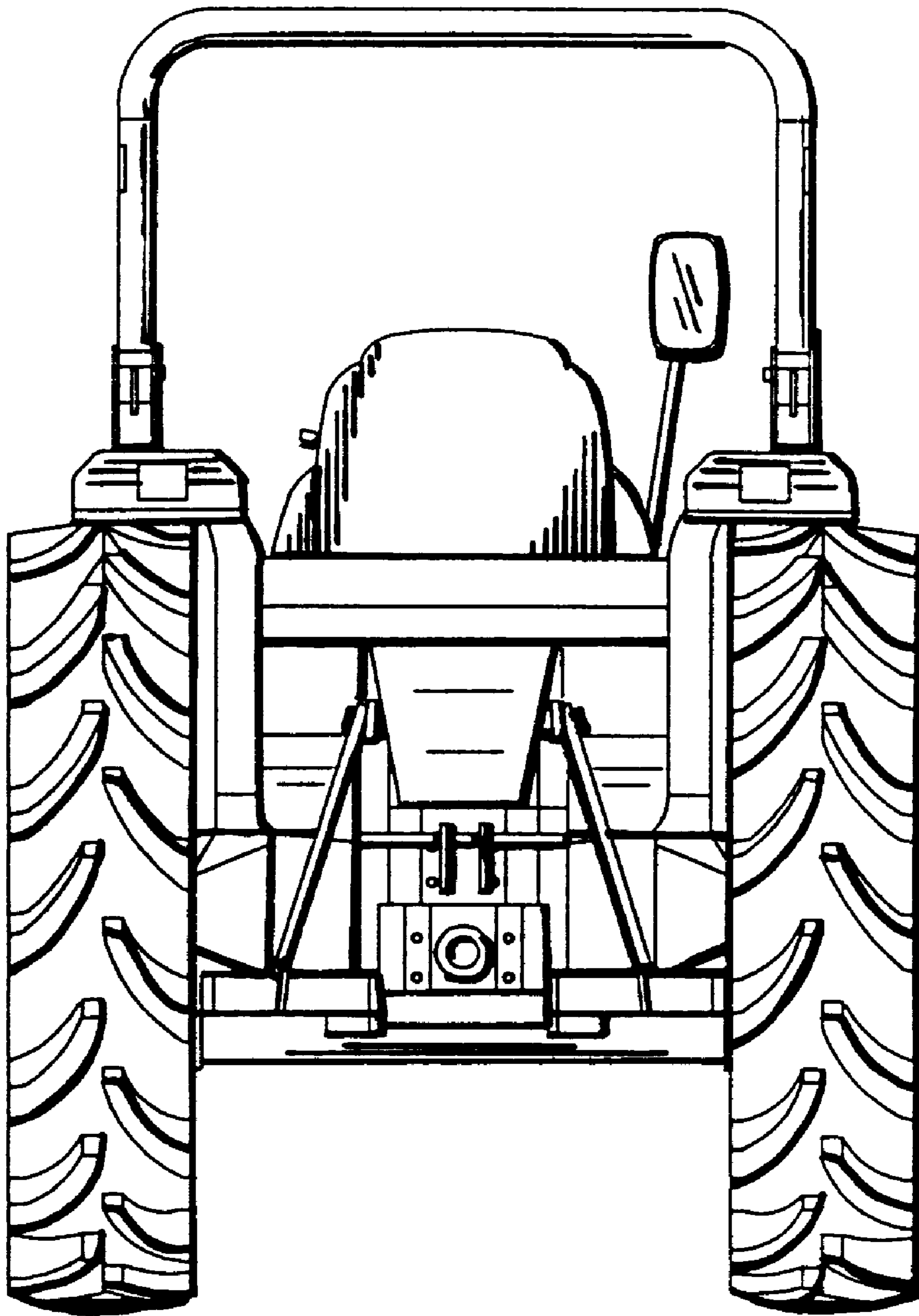


FIG. 3

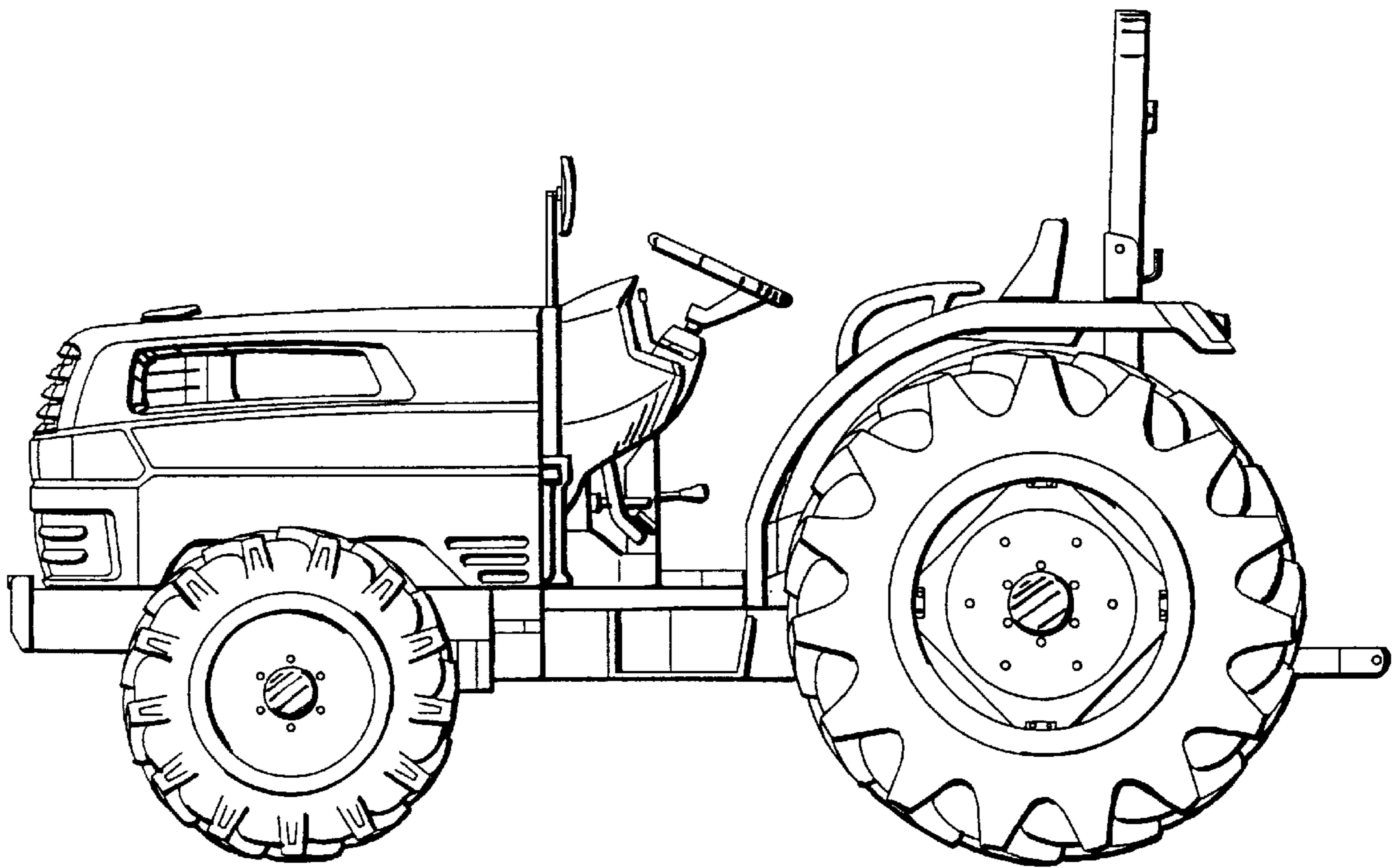


FIG. 4

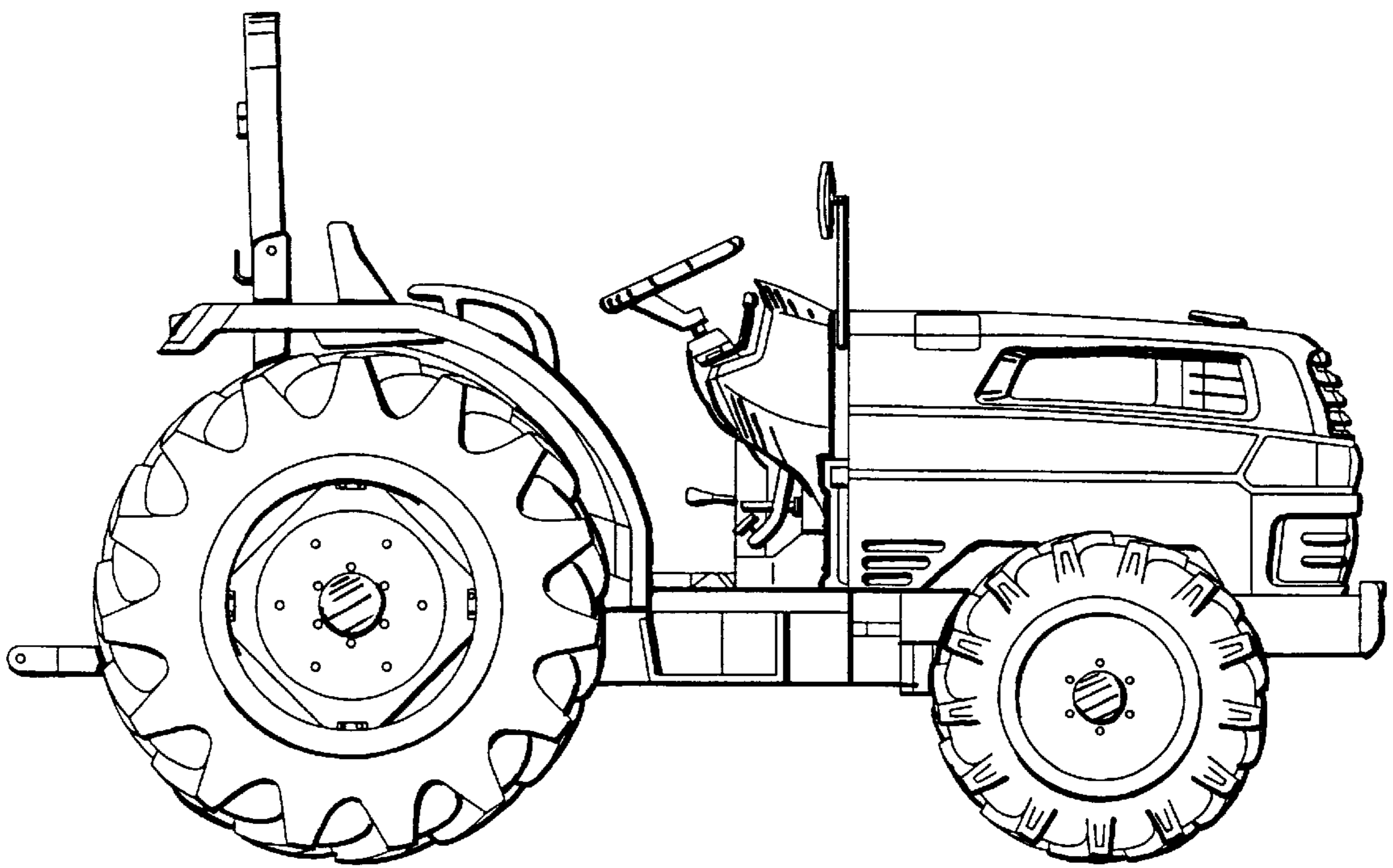


FIG. 5

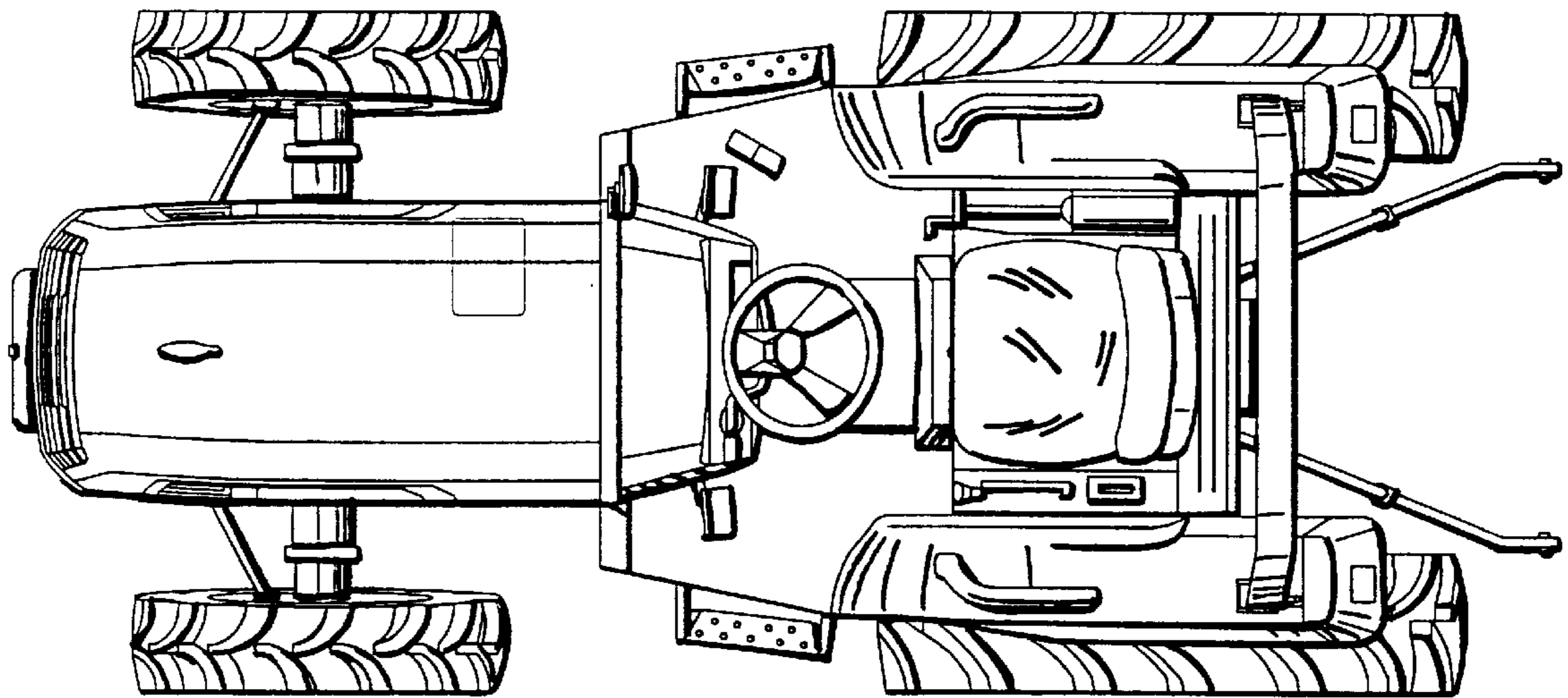


FIG. 6

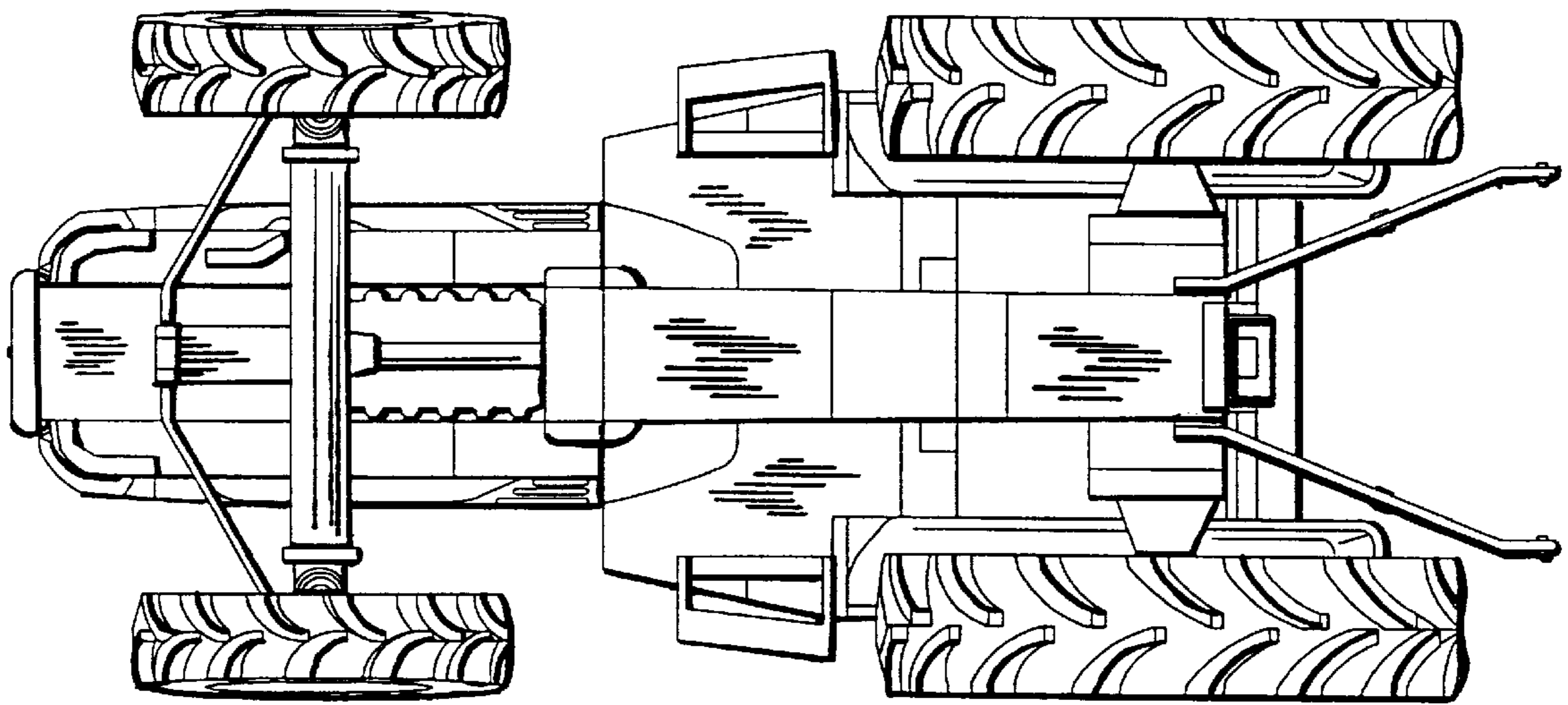


FIG. 7

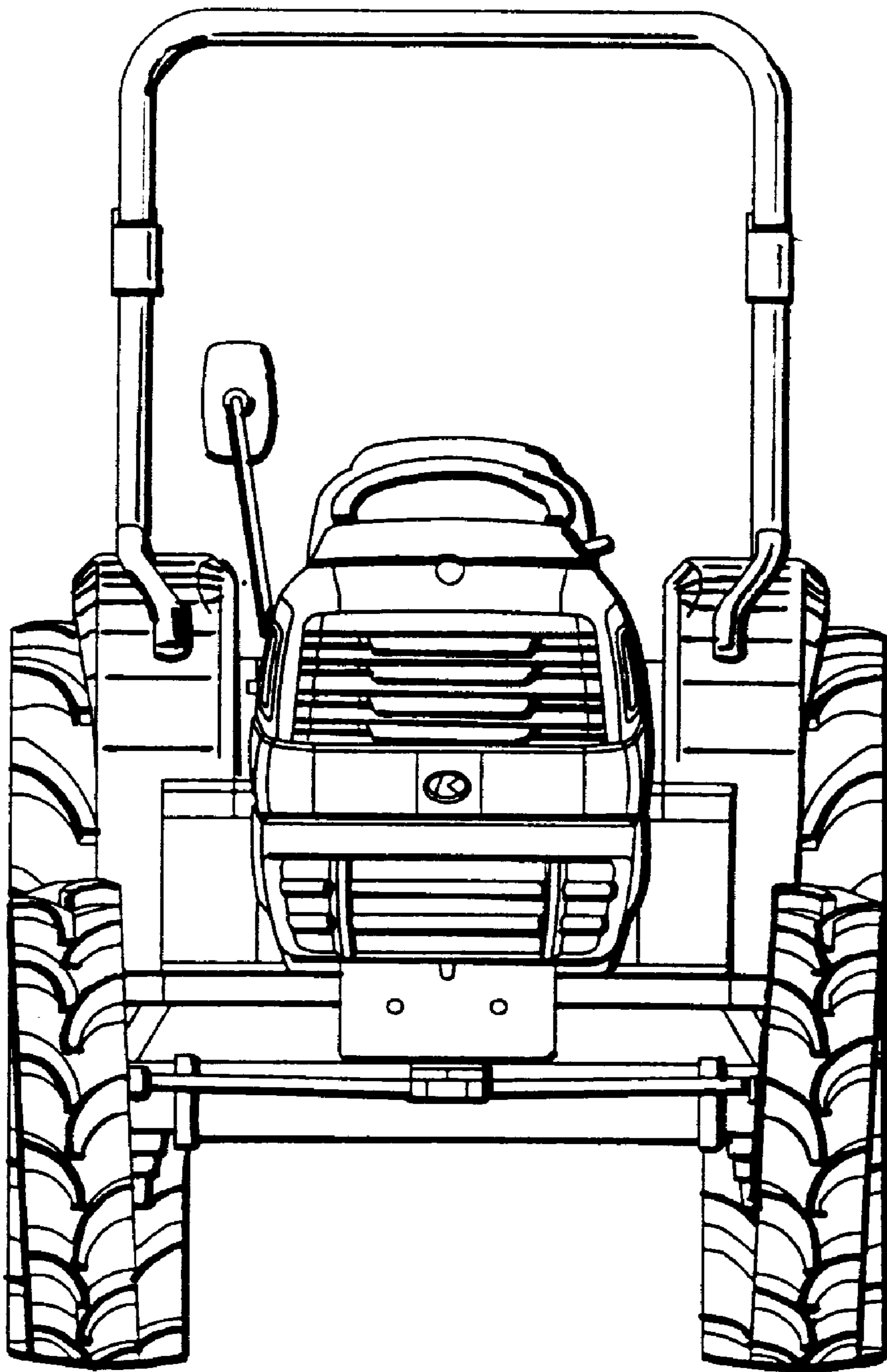


FIG. 8

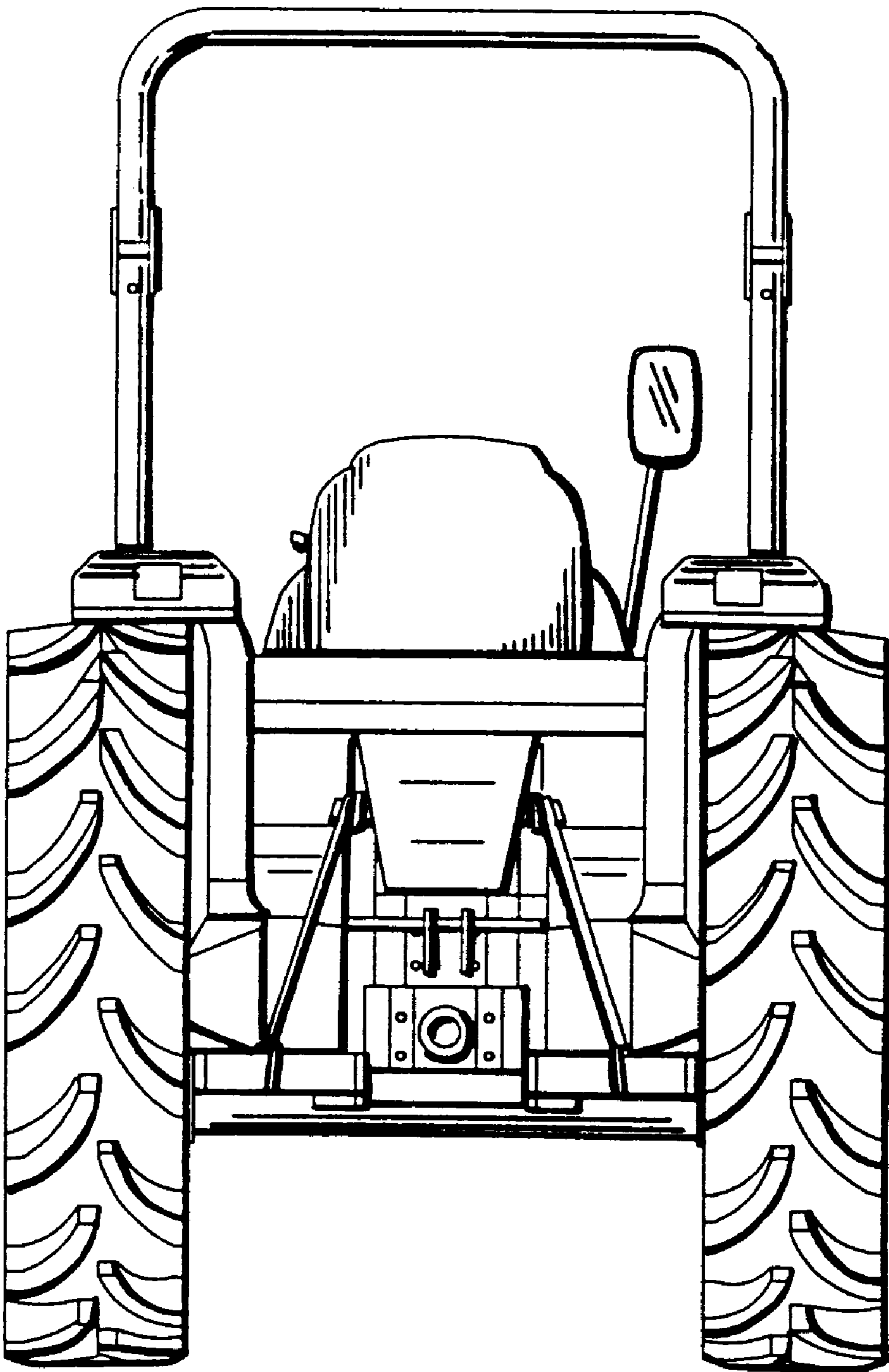


FIG. 9

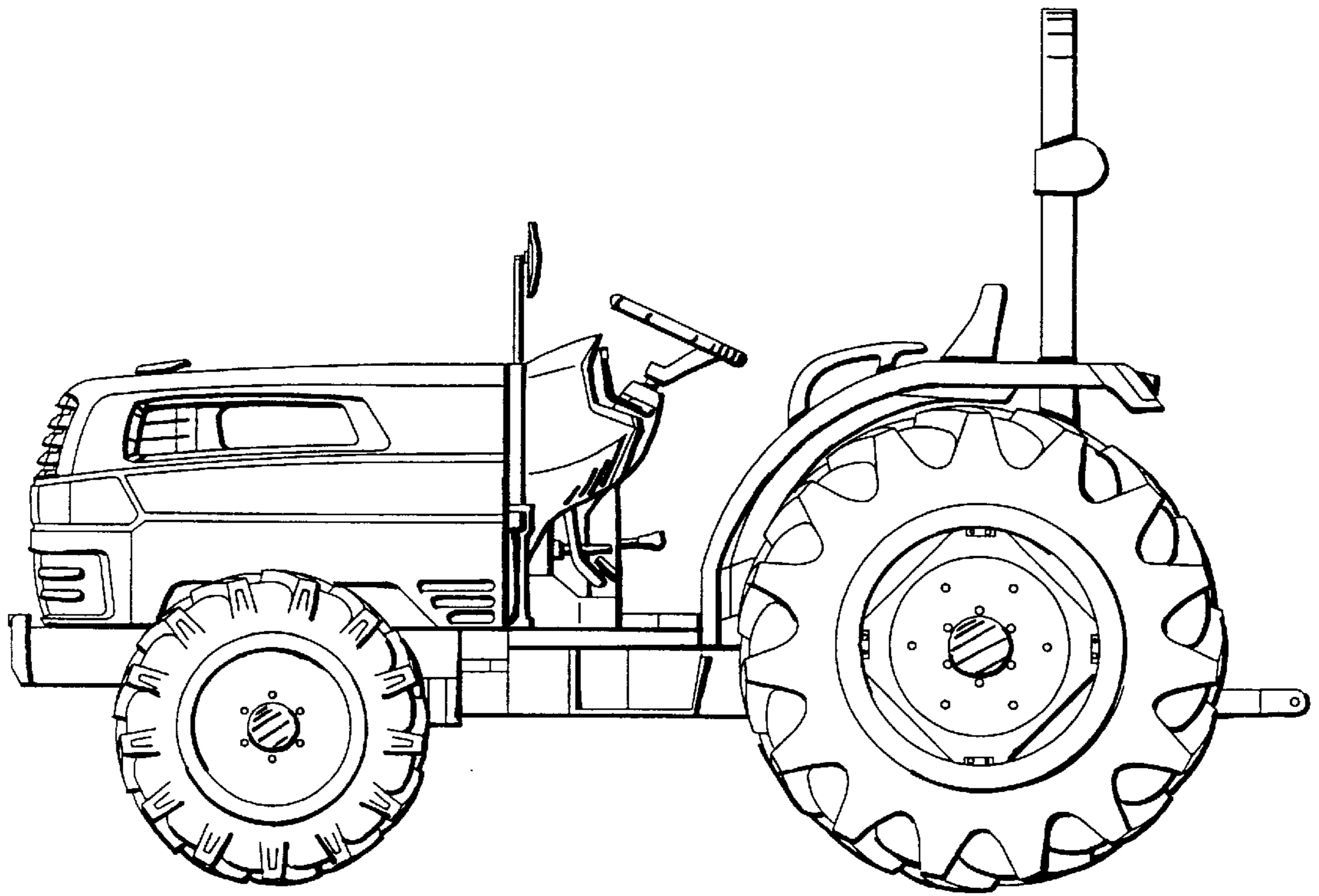


FIG. 10

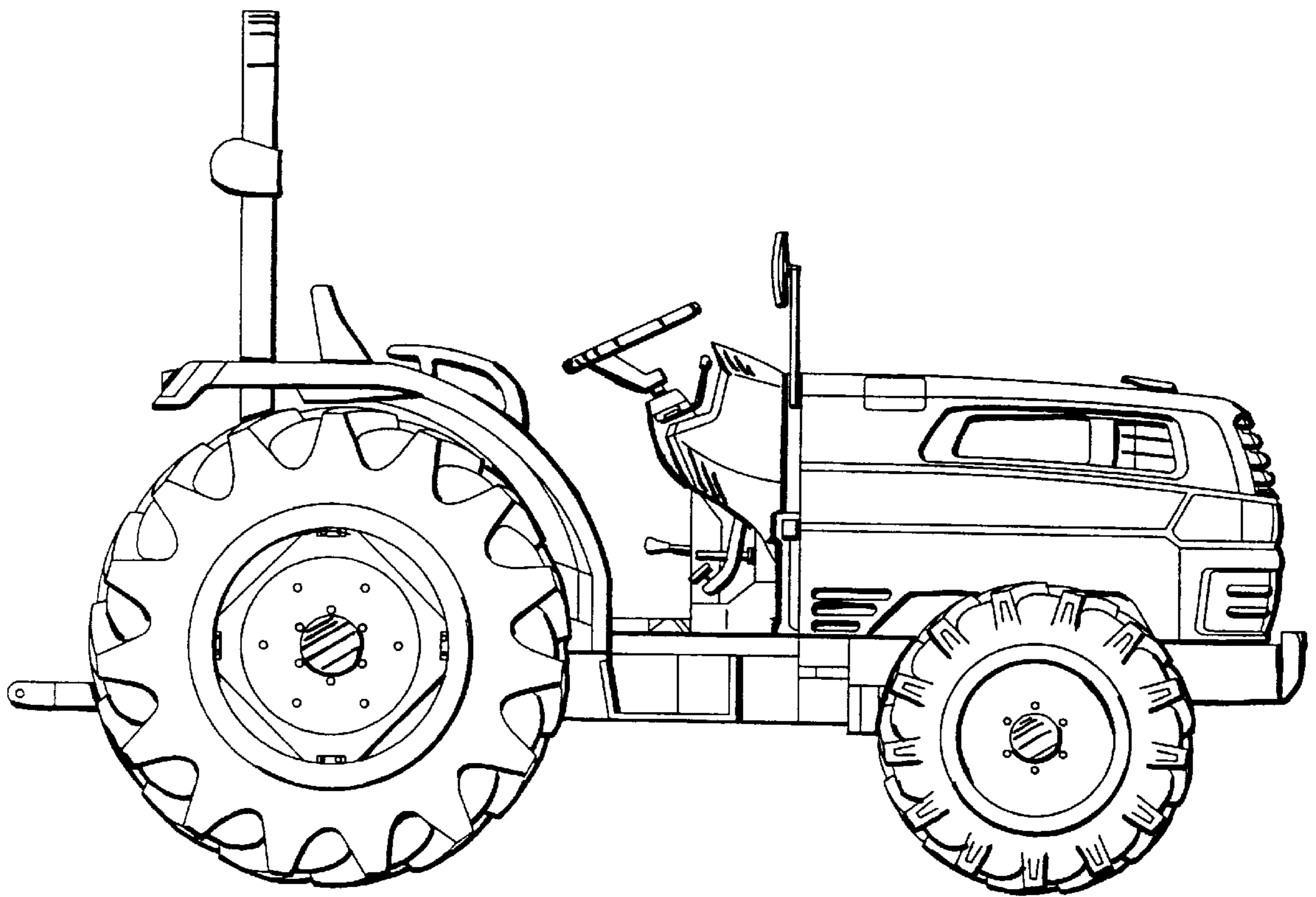


FIG. 11

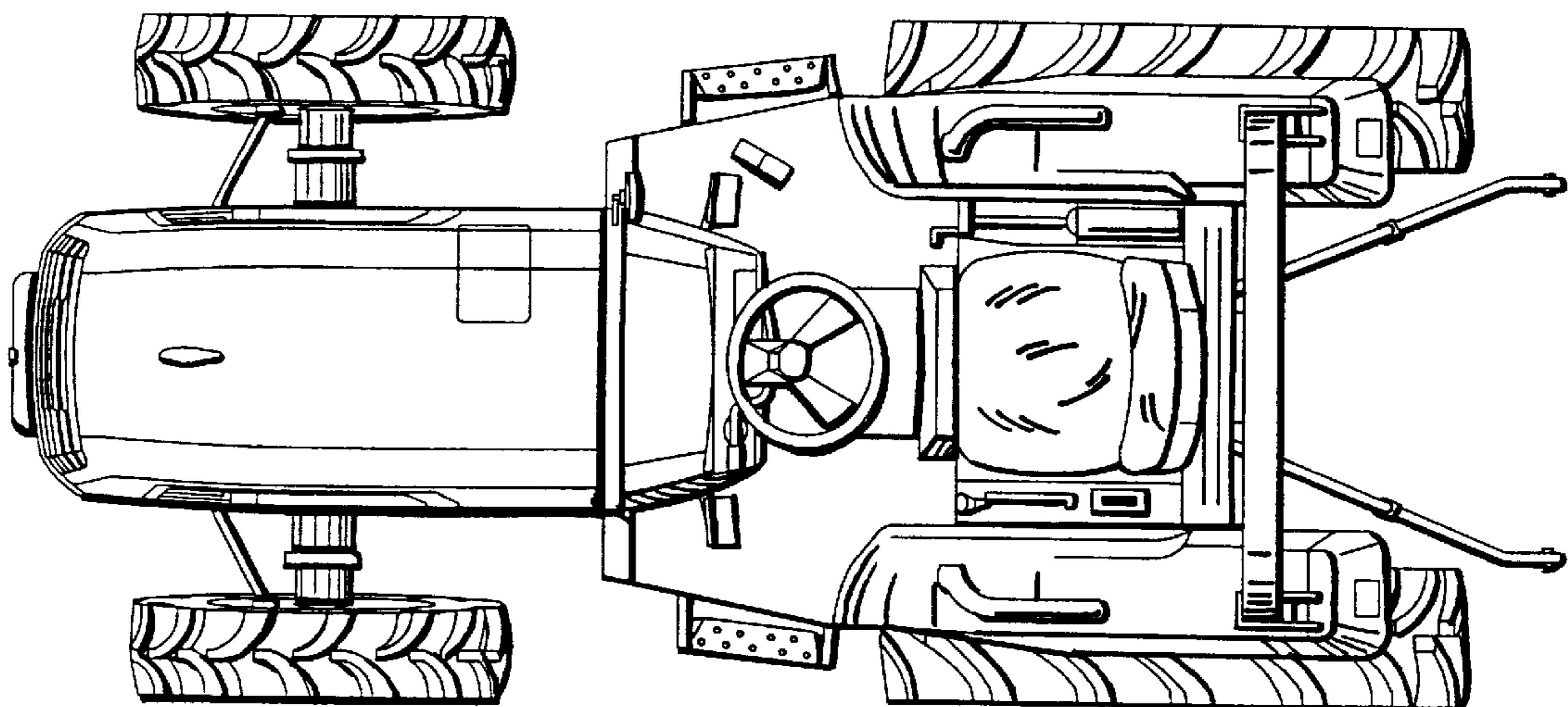


FIG. 12

