



US00D438544S

(12) **United States Design Patent**
Pearce et al.

(10) **Patent No.:** **US D438,544 S**

(45) **Date of Patent:** **** Mar. 6, 2001**

(54) **ENCLOSURE**

(75) Inventors: **Joseph Pearce**, Tustin; **Michael Osorio**, Long Beach, both of CA (US)

(73) Assignee: **Cyclone Duplication Systems, LLC**, Lake Forest, CA (US)

(**) Term: **14 Years**

(21) Appl. No.: **29/123,590**

(22) Filed: **May 22, 2000**

(51) **LOC (7) Cl.** **14-99**

(52) **U.S. Cl.** **D14/483**

(58) **Field of Search** D14/474-480,
D14/483, 496; D21/332, 333; 242/345;
360/131-137, 900; 369/272, 275.1-275.5,
292, 283; 206/307, 308.1, 308.2, 308.3

(56) **References Cited**

U.S. PATENT DOCUMENTS

- D. 367,895 * 3/1996 Goto D21/332
- D. 399,839 * 10/1998 Paloheimo et al. D14/483
- D. 410,908 * 6/1999 Oba D14/483
- D. 413,937 * 9/1999 Smith D21/333

- 4,590,078 * 5/1986 Umina 220/256 X
- 5,385,235 * 1/1995 Ikebe et al. 206/307
- 5,417,324 * 5/1995 Joyce et al. 206/307
- 5,782,352 * 7/1998 Senda 206/307

* cited by examiner

Primary Examiner—Prabhakar Deshmukh

(74) *Attorney, Agent, or Firm*—Walter A. Hackler

(57) **CLAIM**

The ornamental design for enclosure, as shown and described.

DESCRIPTION

FIG. 1 is a perspective view looking at the top, front left corner;

FIG. 2 is a top plan view;

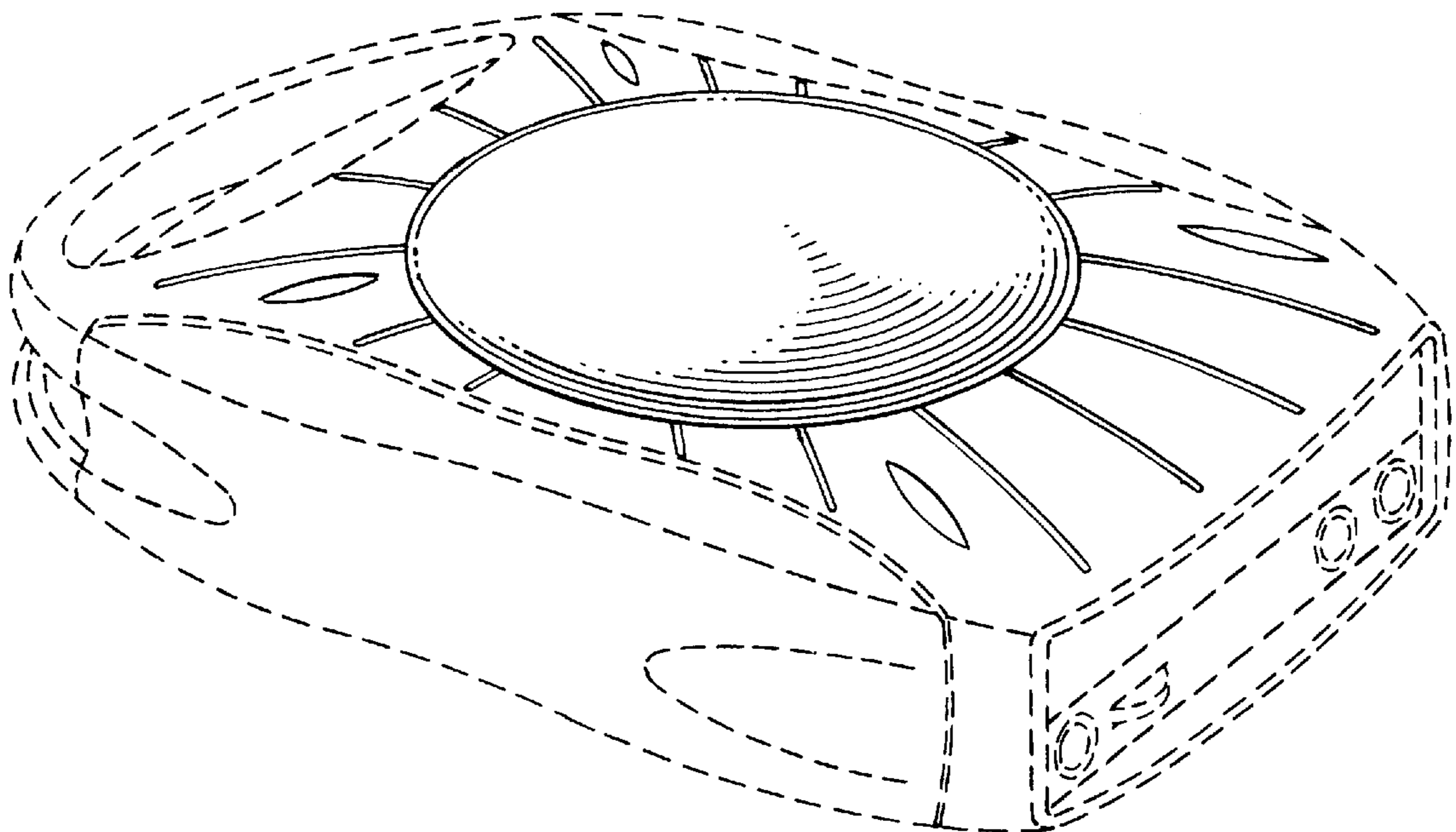
FIG. 3 is a right side elevation view and the left side is an exact mirror image of the right side;

FIG. 4 is a front elevational view; and,

FIG. 5 is a rear elevational view.

The bottom is plain and unornamented. The broken lines are for illustrative purpose only and forms no part of the claimed design.

1 Claim, 2 Drawing Sheets



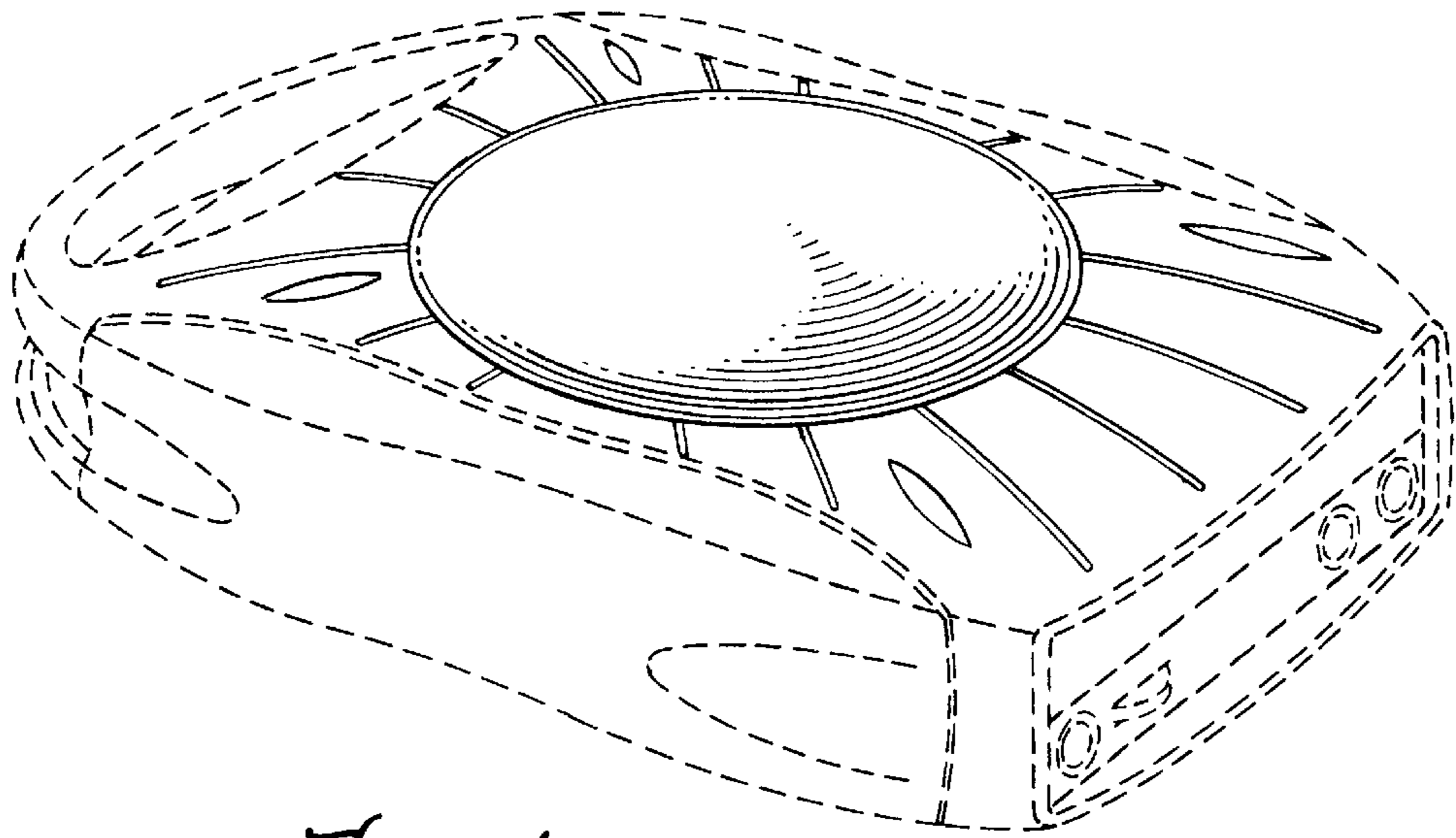


FIG. 1.

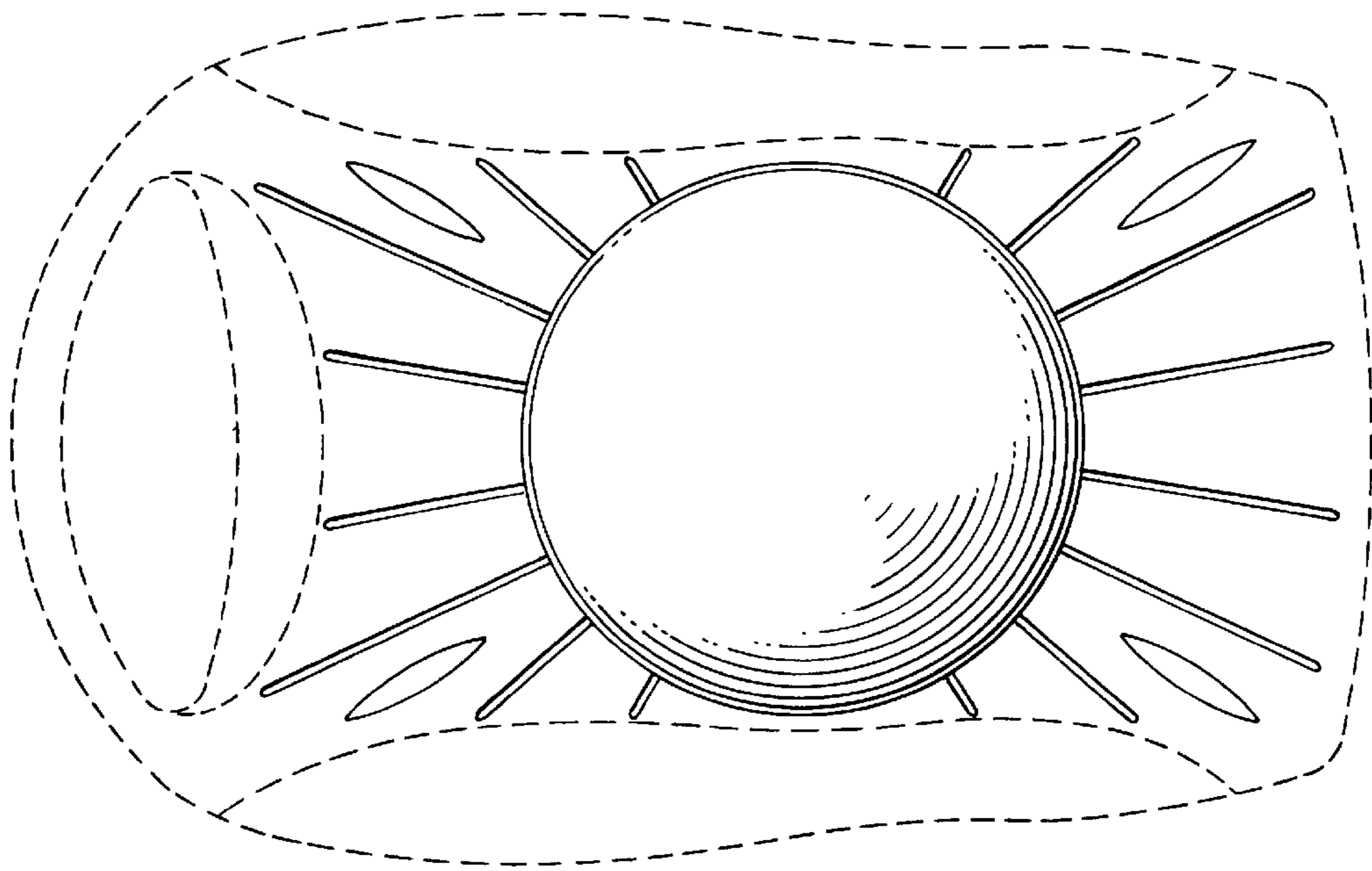


FIG. 2.

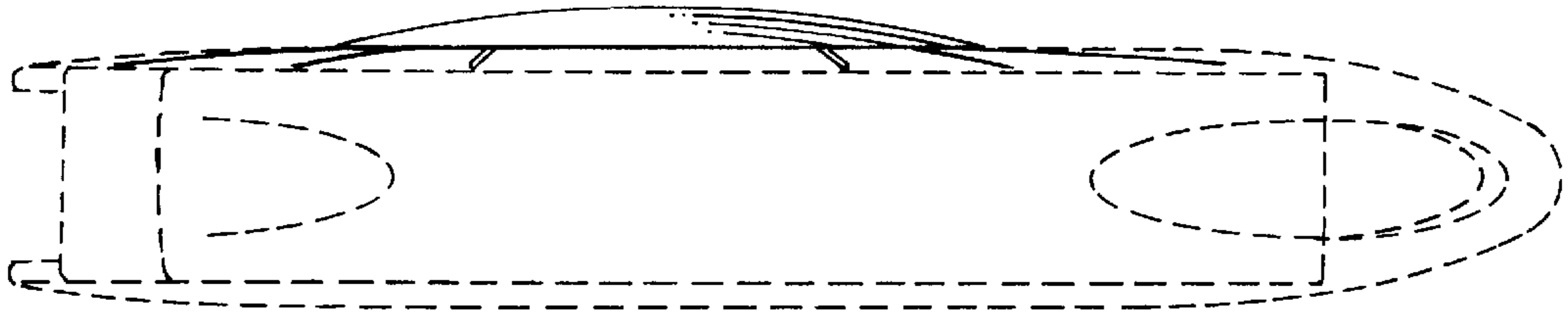


FIG. 3.

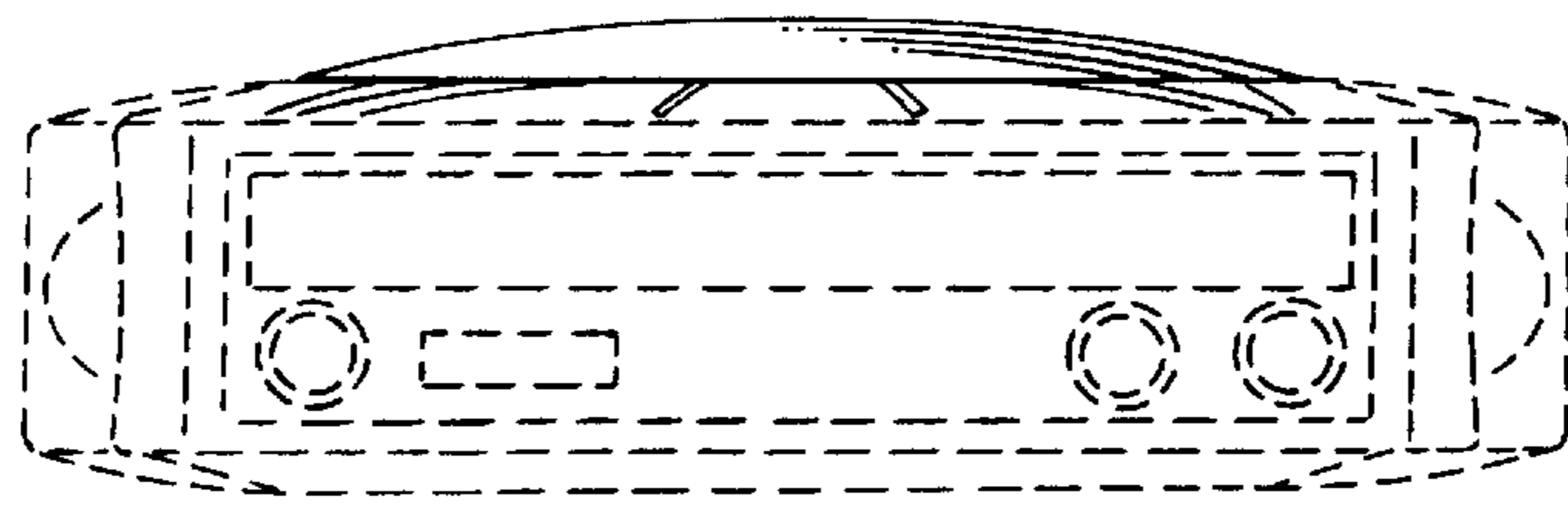


FIG. 4.

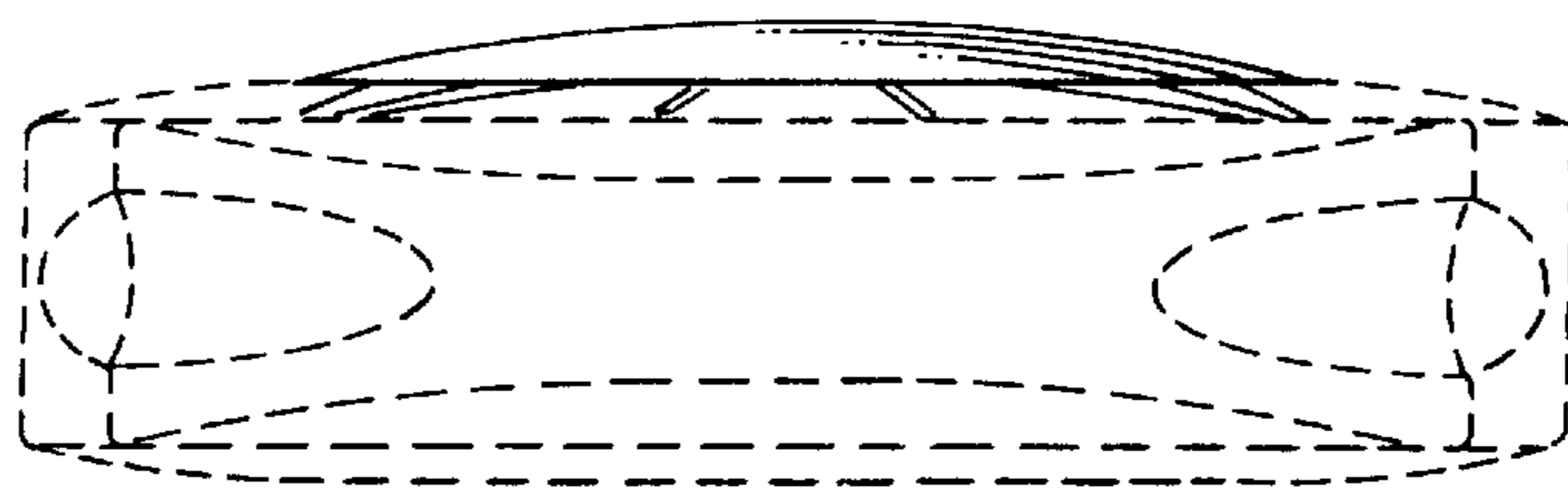


FIG. 5.