



US00D438541S

(12) **United States Design Patent**  
**Hervig et al.**

(10) **Patent No.:** **US D438,541 S**

(45) **Date of Patent:** **\*\* Mar. 6, 2001**

(54) **COMPUTER MOUSE**

(76) Inventors: **Dana P Hervig**, 1450 102nd St. E.,  
Inver Grove Heights, MN (US) 55077;  
**Dennis D Heard**, 4509 2<sup>nd</sup> Ave. S.,  
Mpls., MN (US) 55409

(\*\*) Term: **14 Years**

(21) Appl. No.: **29/122,918**

(22) Filed: **May 5, 2000**

(51) **LOC (7) Cl.** ..... **14-02**

(52) **U.S. Cl.** ..... **D14/403; D14/402**

(58) **Field of Search** ..... D14/402-410,  
D14/417, 432; 200/5 R, 5 A, 6 R, 6 A;  
273/148 B; 345/156-167; 74/471 XY; 463/36,  
37, 38

(56) **References Cited**

**U.S. PATENT DOCUMENTS**

D. 371,772 \* 7/1996 Bird et al. .... D12/402

D. 390,210 \* 2/1998 Bickford et al. .... D14/403

D. 400,518 \* 11/1998 Cullen ..... D14/403

D. 413,322 \* 8/1999 Sheehan et al. .... D14/410

\* cited by examiner

*Primary Examiner*—Kay H. Chin

(57) **CLAIM**

The ornamental design for a computer mouse, as shown and described.

**DESCRIPTION**

FIG. 1 is a top perspective view of a computer mouse showing our new design;

FIG. 2 is a top plan view thereof;

FIG. 3 is a rear elevational view thereof;

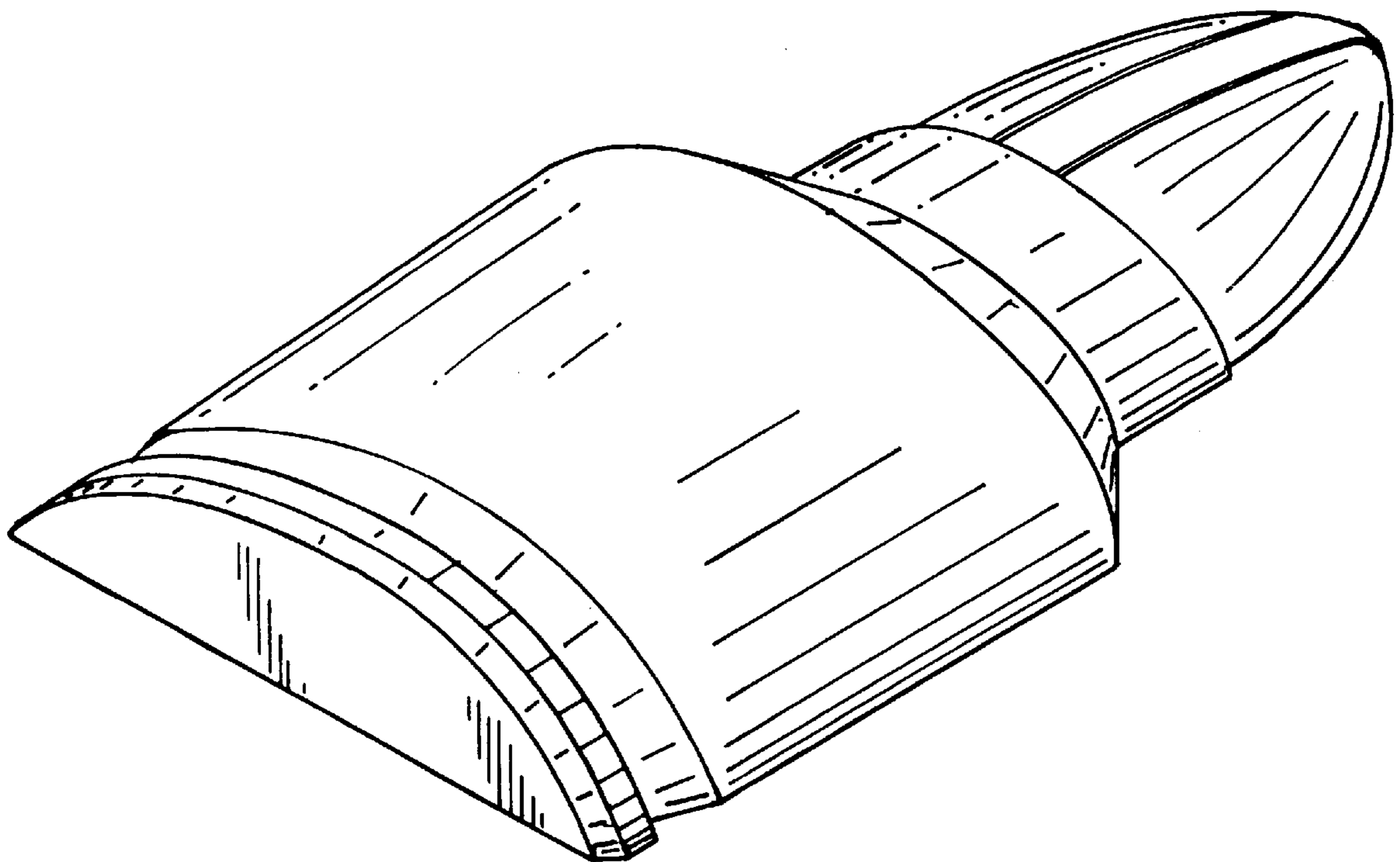
FIG. 4 is a right side elevational view thereof;

FIG. 5 is a left side elevational view thereof;

FIG. 6 is a front elevational view thereof; and,

FIG. 7 is a bottom plan view thereof.

**1 Claim, 4 Drawing Sheets**



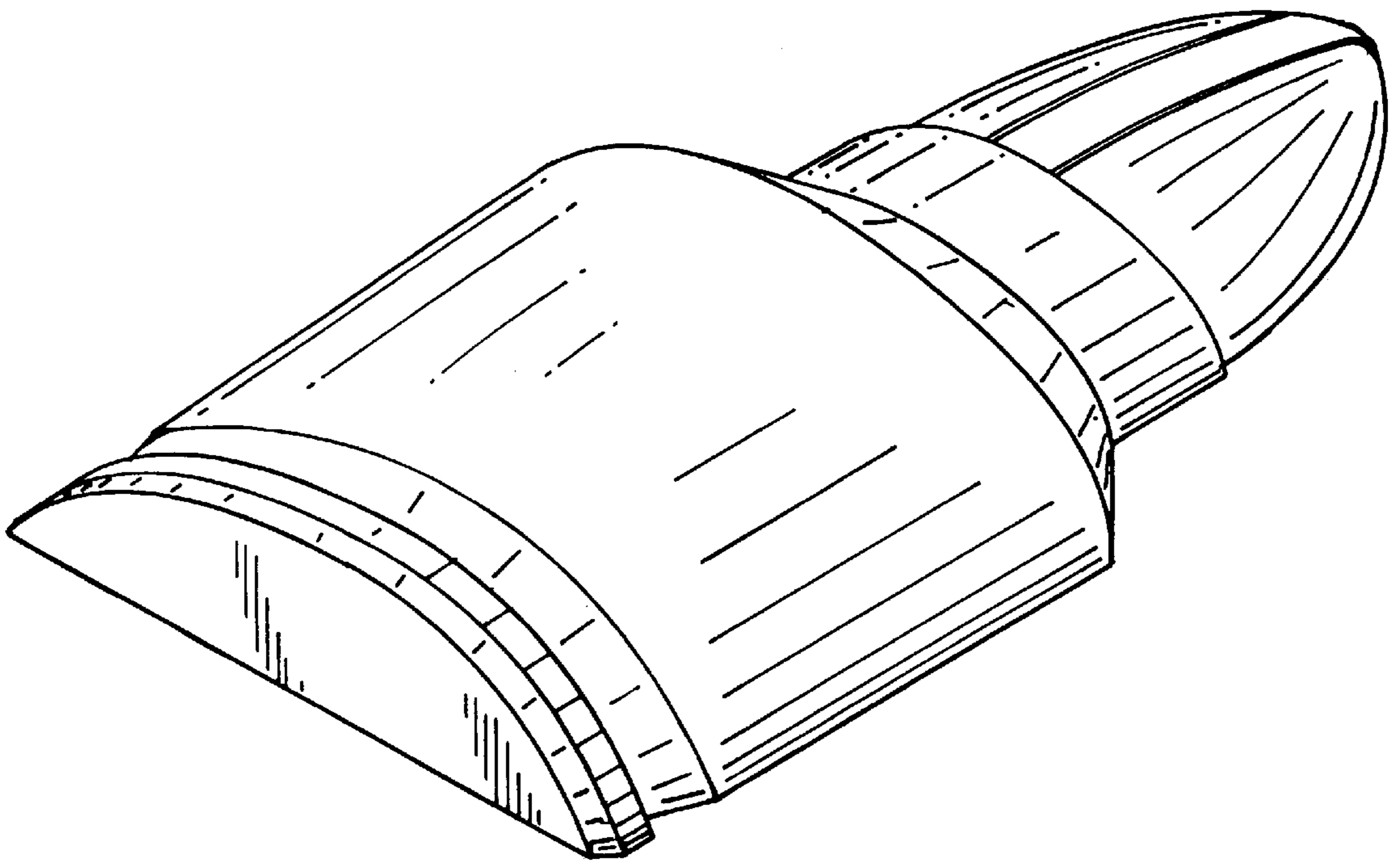


FIG. 1

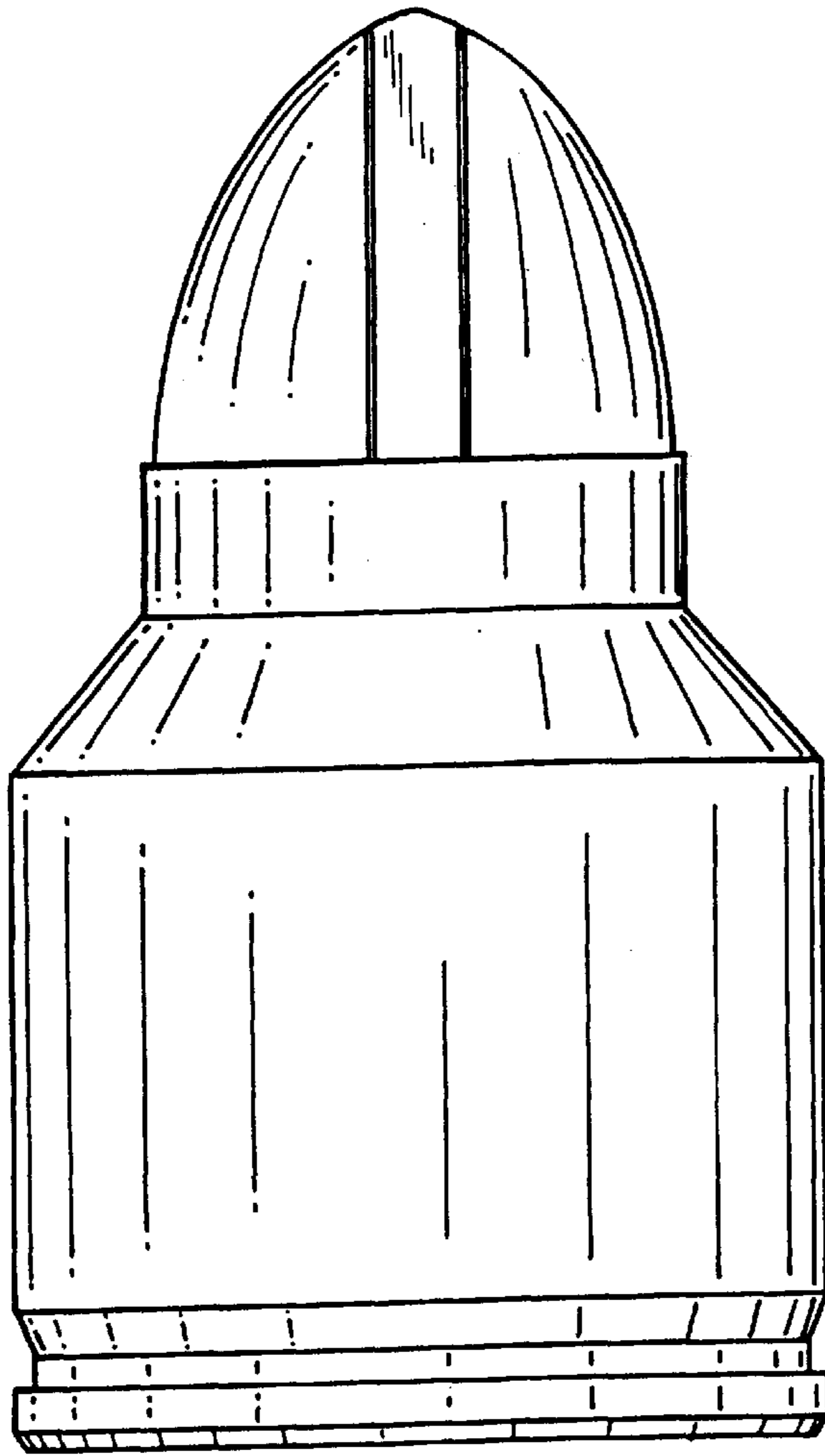


FIG. 2

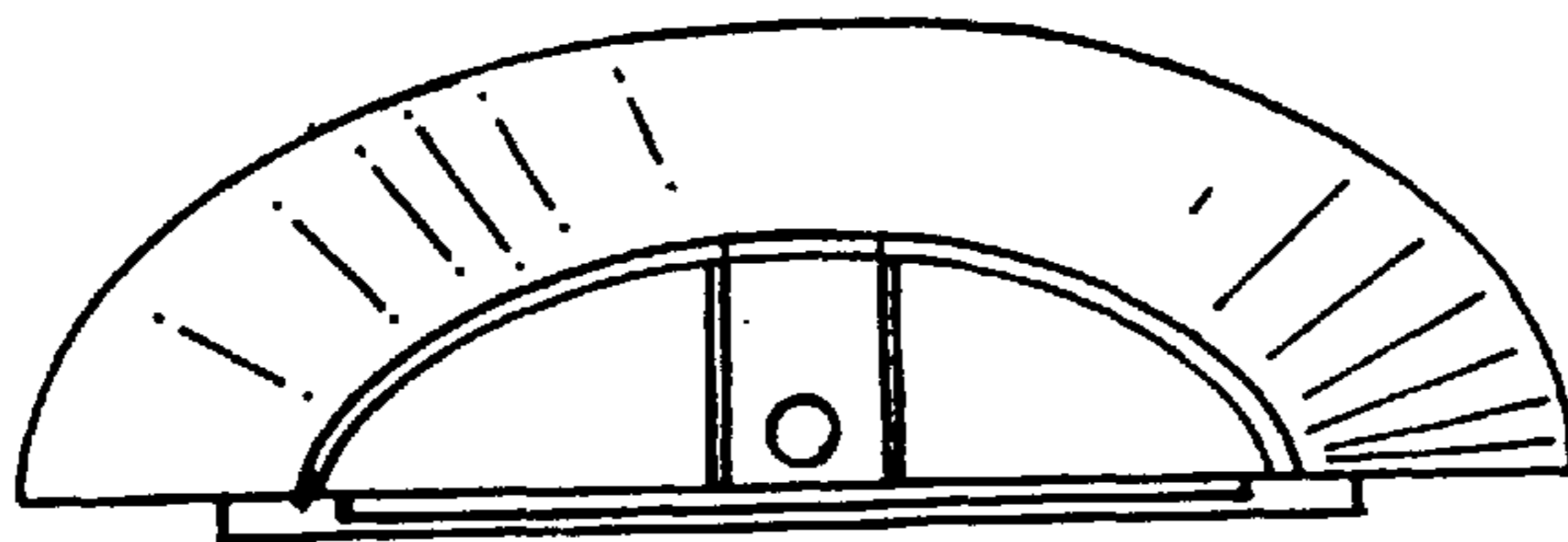


FIG. 3

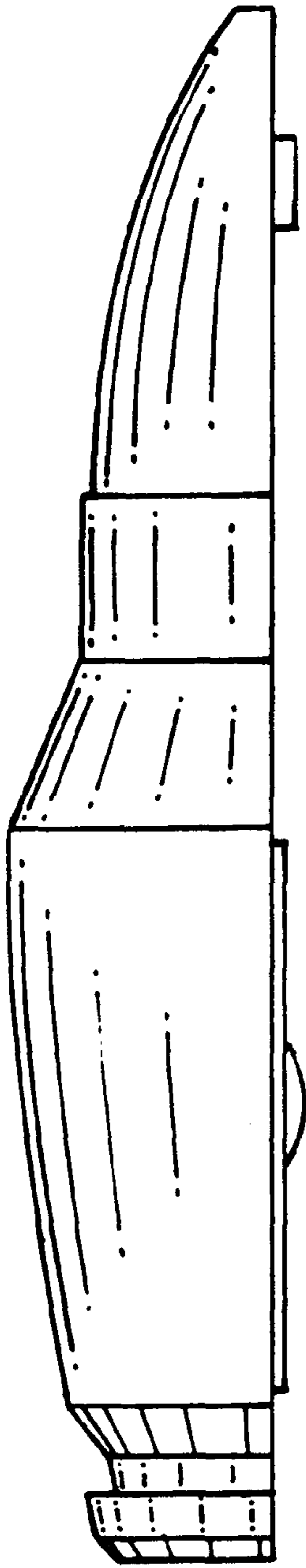


FIG. 4

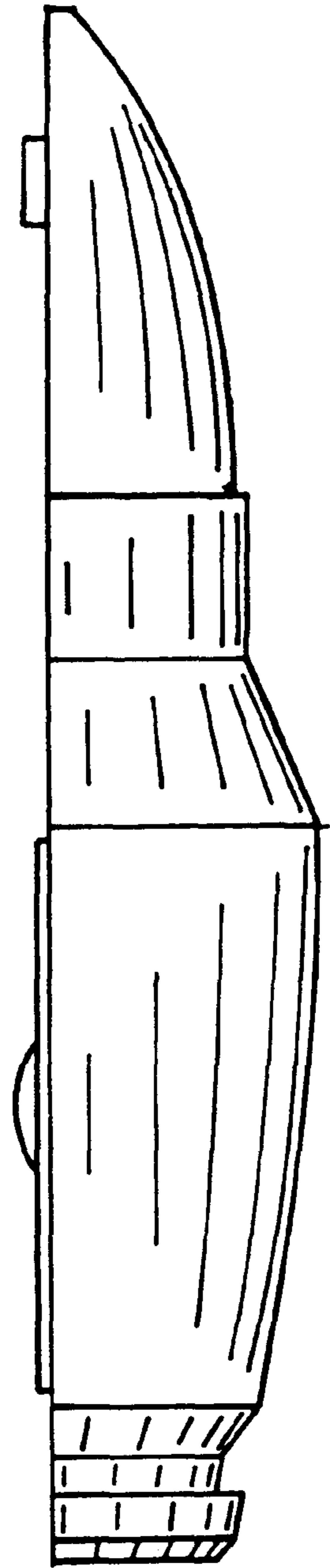


FIG. 5

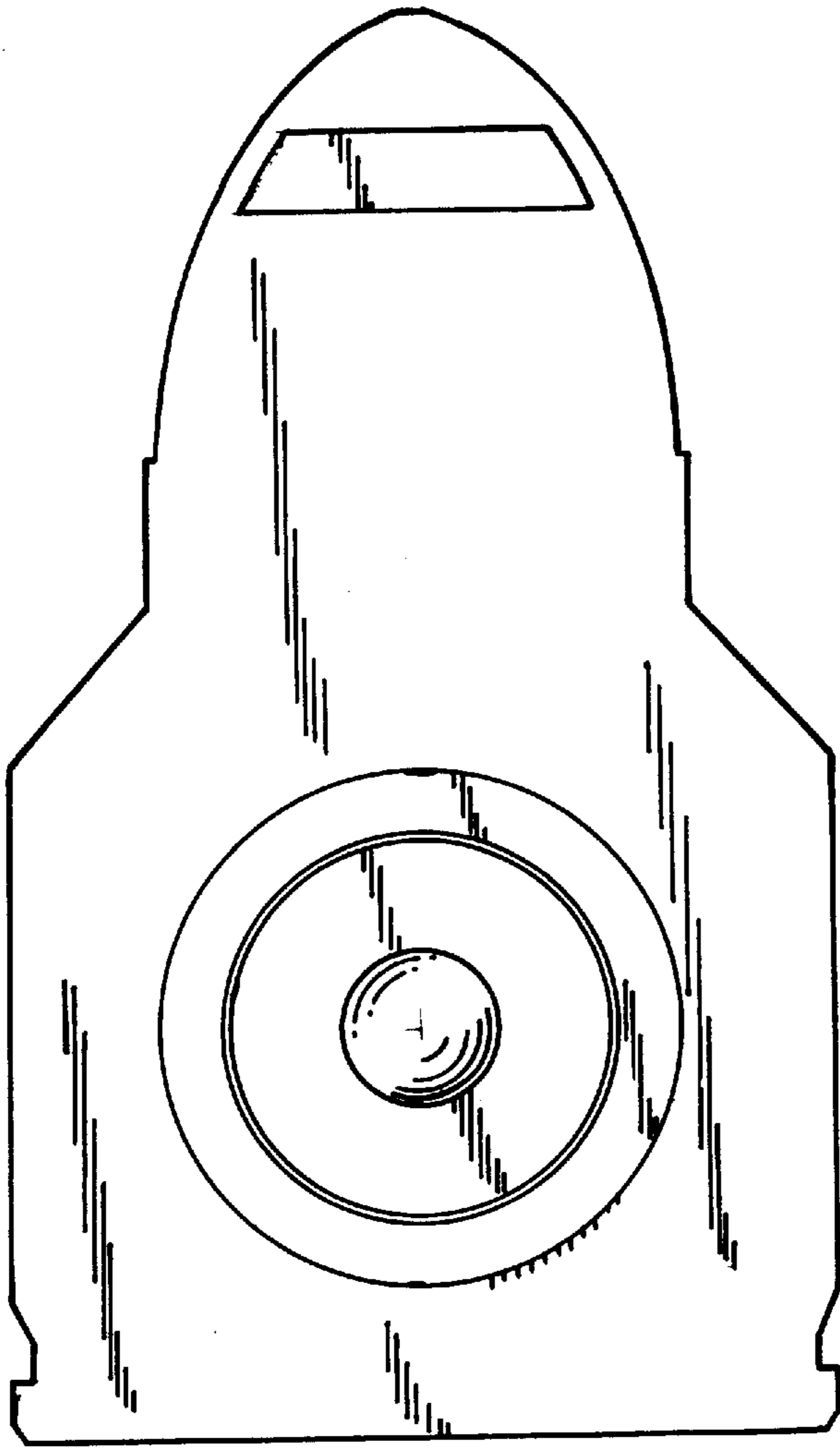


FIG. 7

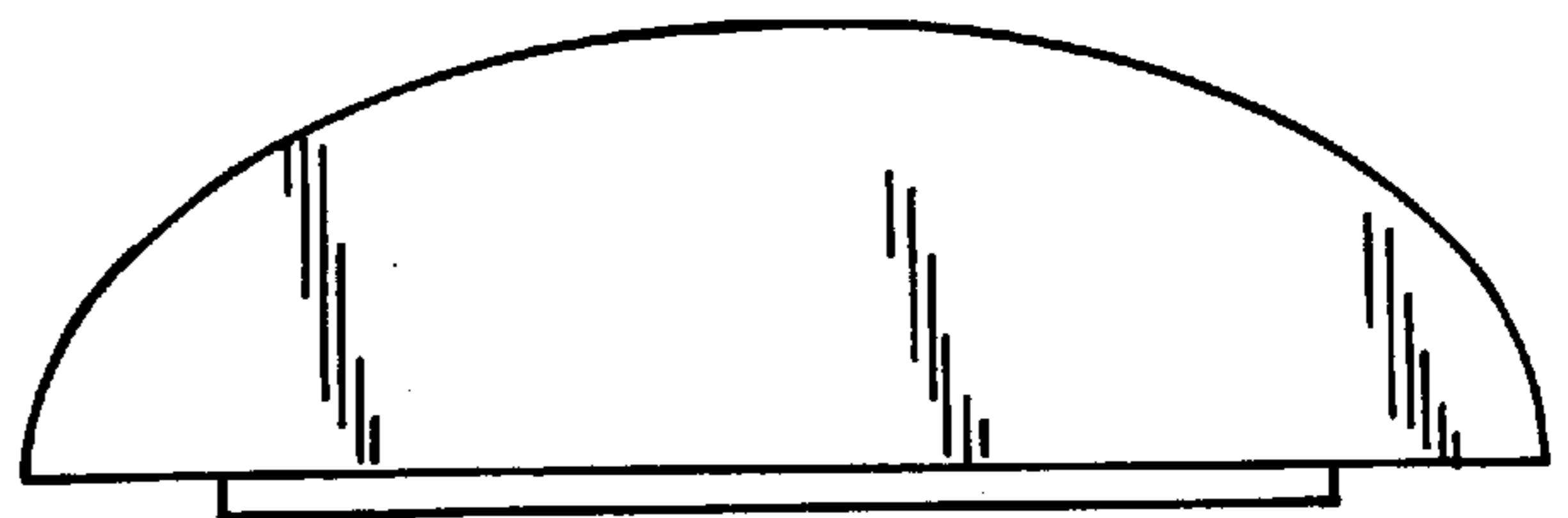


FIG. 6