



US00D438538S

(12) **United States Design Patent**
Ogasawara

(10) **Patent No.:** **US D438,538 S**

(45) **Date of Patent:** **** Mar. 6, 2001**

(54) **COMPUTER**

(75) Inventor: **Shinichi Ogasawara**, Tokyo (JP)

(73) Assignee: **Sony Corporation**, Tokyo (JP)

(**) Term: **14 Years**

(21) Appl. No.: **29/119,315**

(22) Filed: **Feb. 29, 2000**

(30) **Foreign Application Priority Data**

Sep. 3, 1999 (JP) 11-23659

(51) **LOC (7) Cl.** **14-02**

(52) **U.S. Cl.** **D14/317**

(58) **Field of Search** D14/317, 318,
D14/322; D18/1, 2, 7; 235/145 A, 145 R;
341/22, 23; 345/104, 156, 168, 169; 364/708.1

(56) **References Cited**

U.S. PATENT DOCUMENTS

D. 374,433 * 10/1996 Shima et al. D14/317

D. 380,740 * 7/1997 Mieki et al. D14/318

OTHER PUBLICATIONS

Catalog "Sony, Motion Eye"; Sony Card Entertainment; May 1995.

* cited by examiner

Primary Examiner—Freda Nunn

(74) *Attorney, Agent, or Firm*—Rader, Fishman & Grauer

(57) **CLAIM**

The ornamental design for a computer, as shown and described.

DESCRIPTION

FIG. 1 is a perspective view of a computer showing my new design;

FIG. 2 is a front elevational view thereof;

FIG. 3 is a bottom plan view thereof;

FIG. 4 is a right side elevational view thereof;

FIG. 5 is a rear elevational view thereof;

FIG. 6 is a top plan view thereof; and,

FIG. 7 is a left side elevational view thereof.

1 Claim, 4 Drawing Sheets

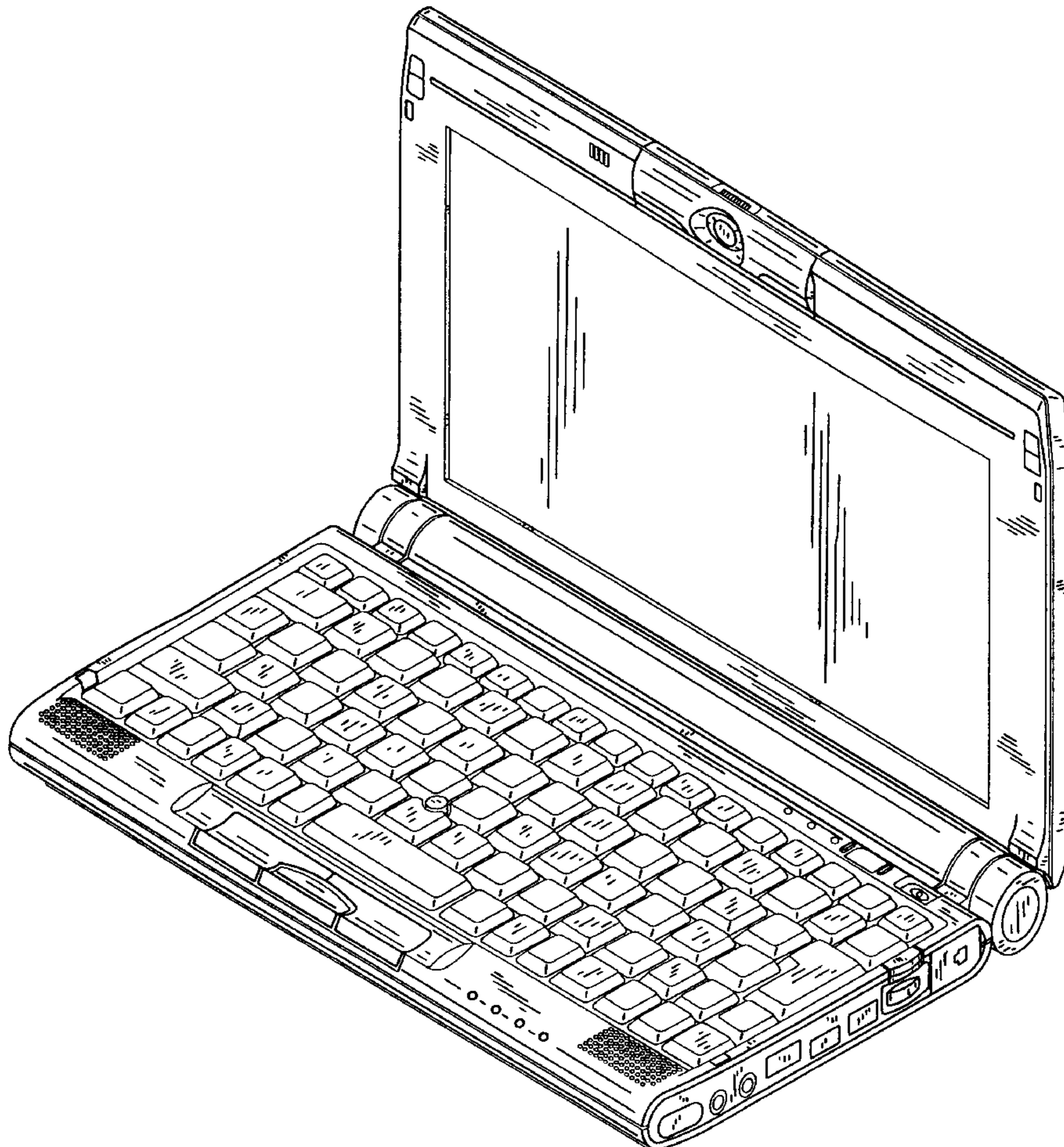


FIG. 1

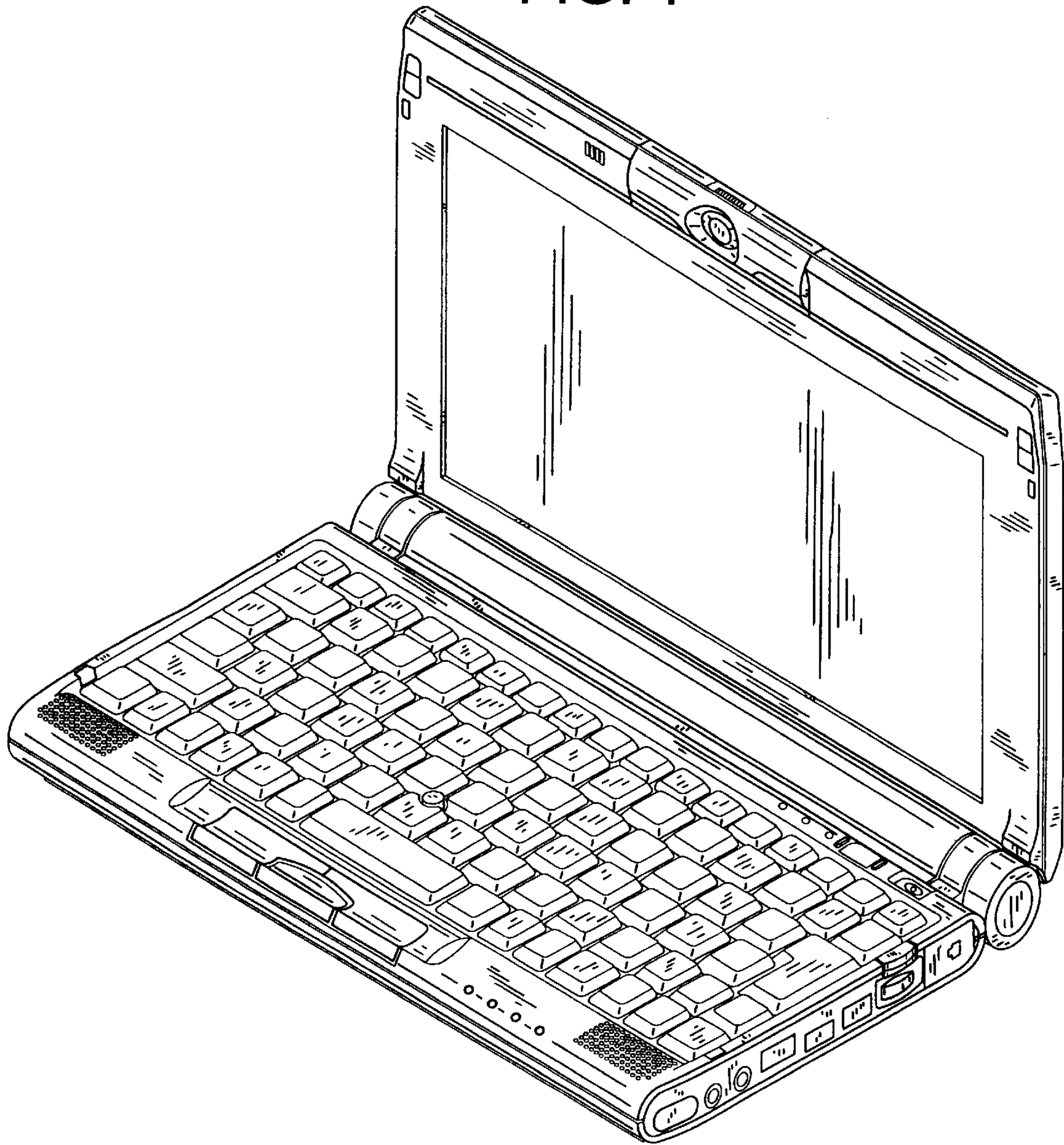


FIG. 2

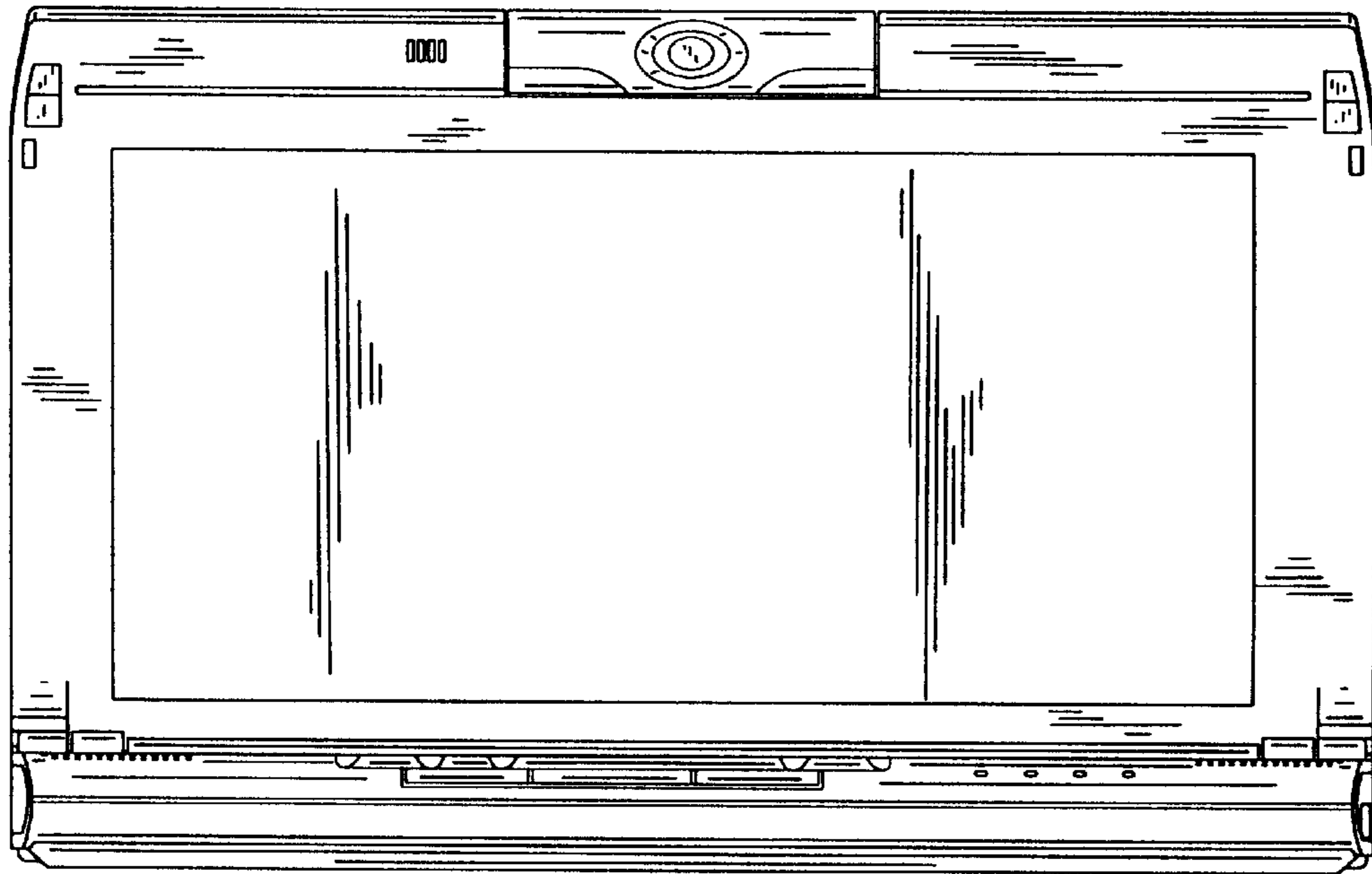


FIG. 3

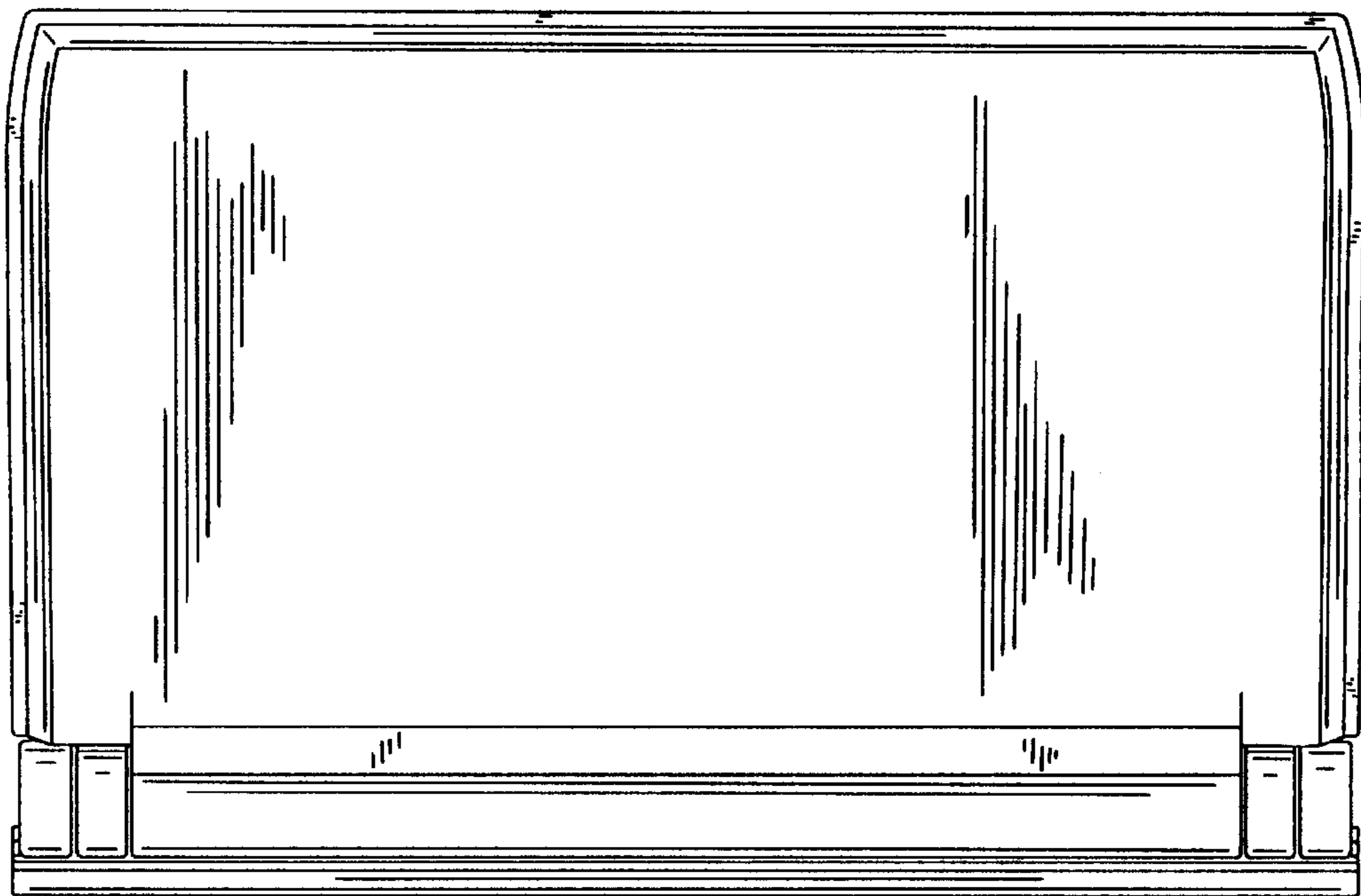


FIG. 5

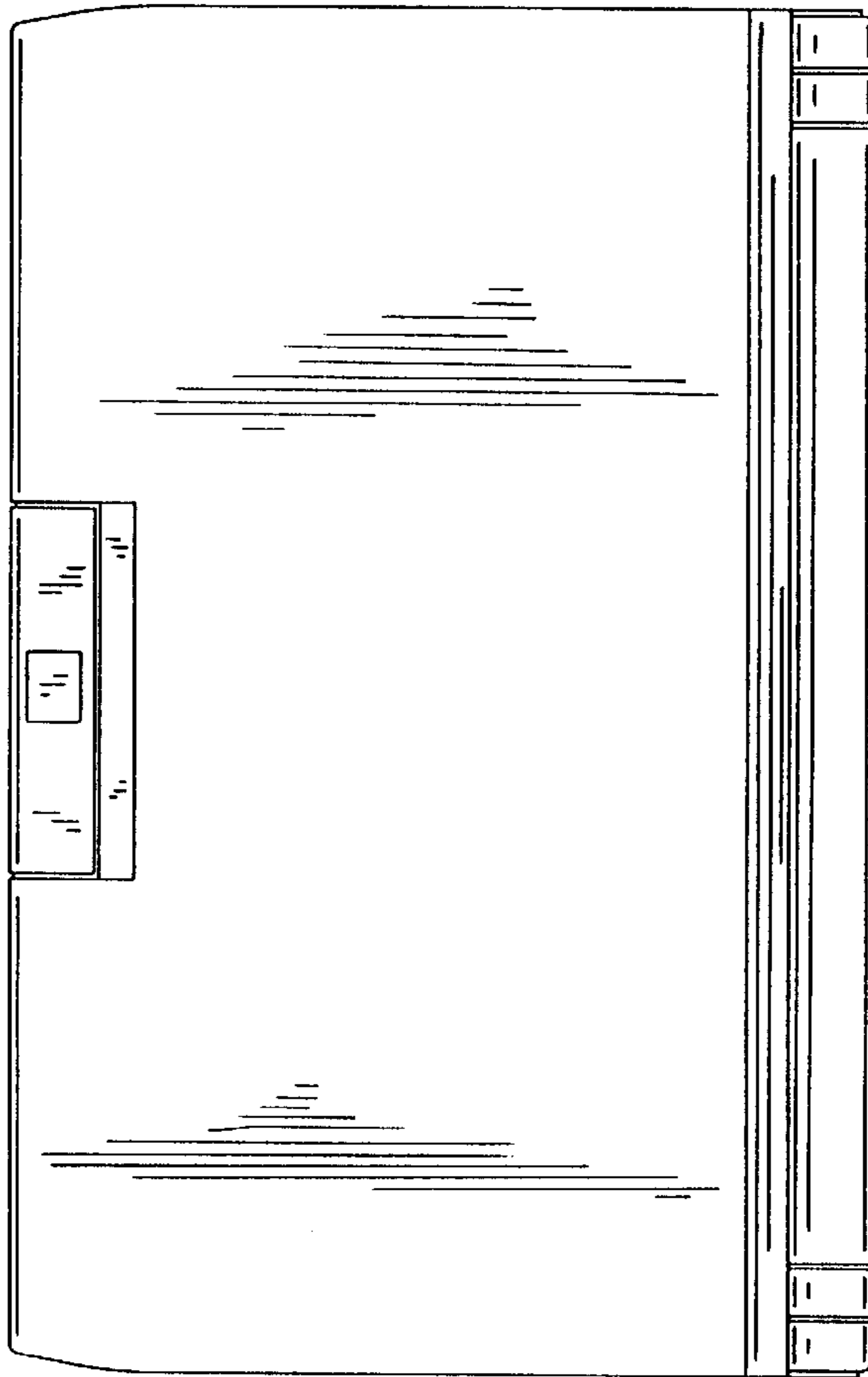


FIG. 4

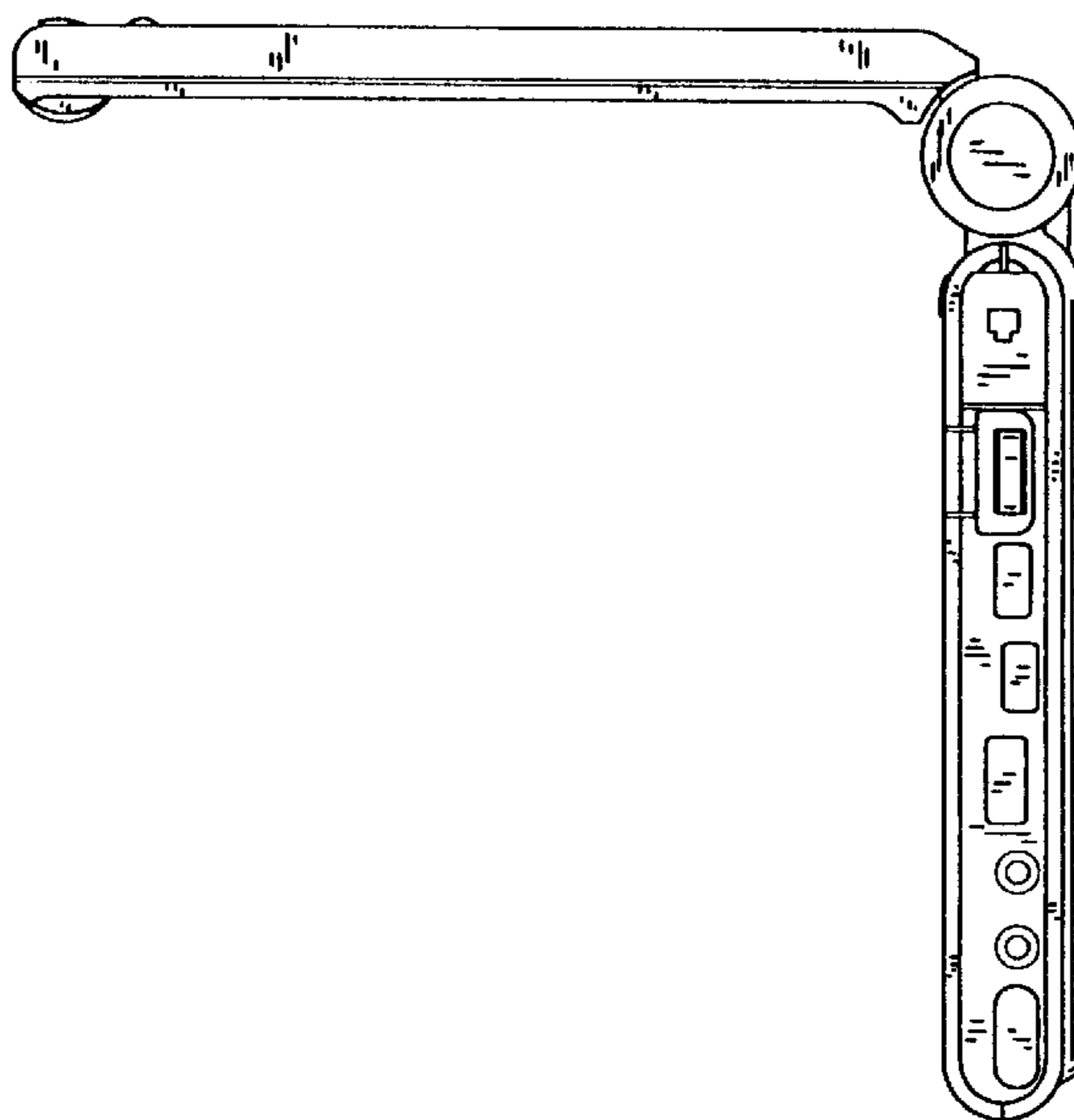


FIG. 7

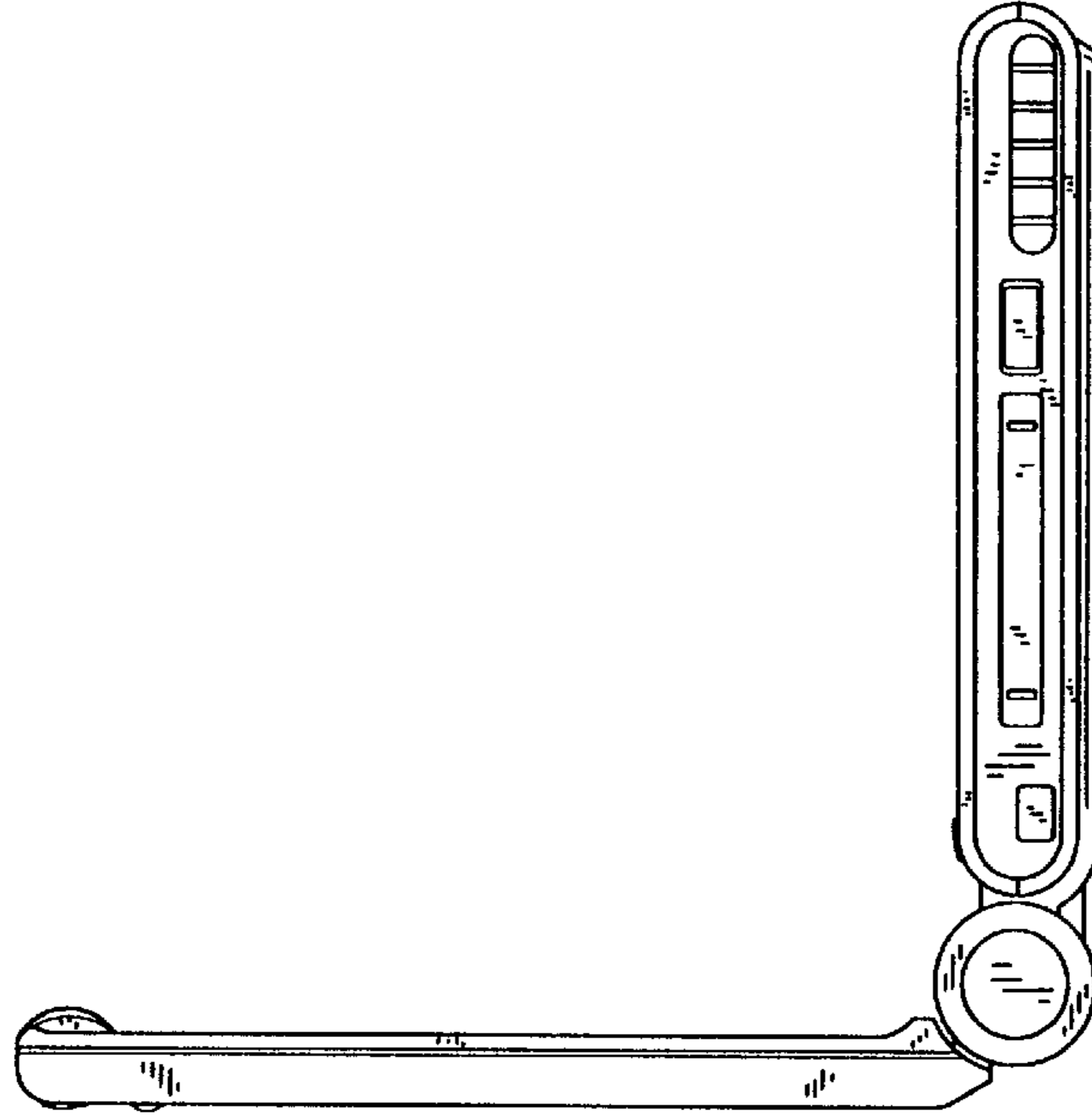


FIG. 6

