



US00D438531S

(12) **United States Design Patent**  
**Sayers et al.**

(10) **Patent No.:** **US D438,531 S**

(45) **Date of Patent:** **\*\* Mar. 6, 2001**

(54) **TRANSCEIVER UNIT COVER**

(75) Inventors: **Ian Leslie Sayers**, Redwood City; **Paul Jan Long**; **Scott Shong-Hsien Yu**, both of San Francisco, all of CA (US)

(73) Assignee: **Cisco Systems, Inc.**, San Jose, CA (US)

(\*\*) Term: **14 Years**

(21) Appl. No.: **29/112,093**

(22) Filed: **Oct. 8, 1999**

(51) **LOC (7) Cl.** ..... **14-03**

(52) **U.S. Cl.** ..... **D14/240; D14/137; D14/358**

(58) **Field of Search** ..... D14/137, 140, D14/142, 358, 241, 155, 240, 242, 159, 308, 310, 230, 311, 312; 379/419, 420, 428, 440, 399, 412; 455/550-575, 90; D13/184, 133, 152

(56) **References Cited**

**U.S. PATENT DOCUMENTS**

- D. 306,583 \* 3/1990 Krolopp et al. .... D14/137
- D. 378,368 \* 3/1997 McGreevy ..... D14/137
- D. 378,592 \* 3/1997 Hartwig et al. .... D14/230
- D. 379,993 \* 6/1997 Devitt et al. .... D14/240
- D. 391,964 \* 3/1998 Balzano ..... D14/223
- D. 392,644 \* 3/1998 McGugan ..... D14/240

- D. 401,580 \* 11/1998 Goto ..... D14/155
- D. 414,186 \* 9/1999 Hogenbirk ..... D14/217
- D. 415,769 \* 10/1999 Waldner ..... D14/240
- D. 424,554 \* 5/2000 Overton et al. .... D14/137
- D. 428,876 \* 8/2000 Renkis ..... D14/230
- 5,371,509 \* 12/1994 Wallace, Jr. et al. .... 343/741

\* cited by examiner

*Primary Examiner*—Jeffrey Asch

(74) *Attorney, Agent, or Firm*—Hamilton, Brook, Smith & Reynolds, P.C.

(57) **CLAIM**

The ornamental design for transceiver unit cover, as shown and described.

**DESCRIPTION**

FIG. 1 is a front perspective view of the transceiver unit cover showing our new design.

FIG. 2 is a back perspective view of the transceiver unit cover.

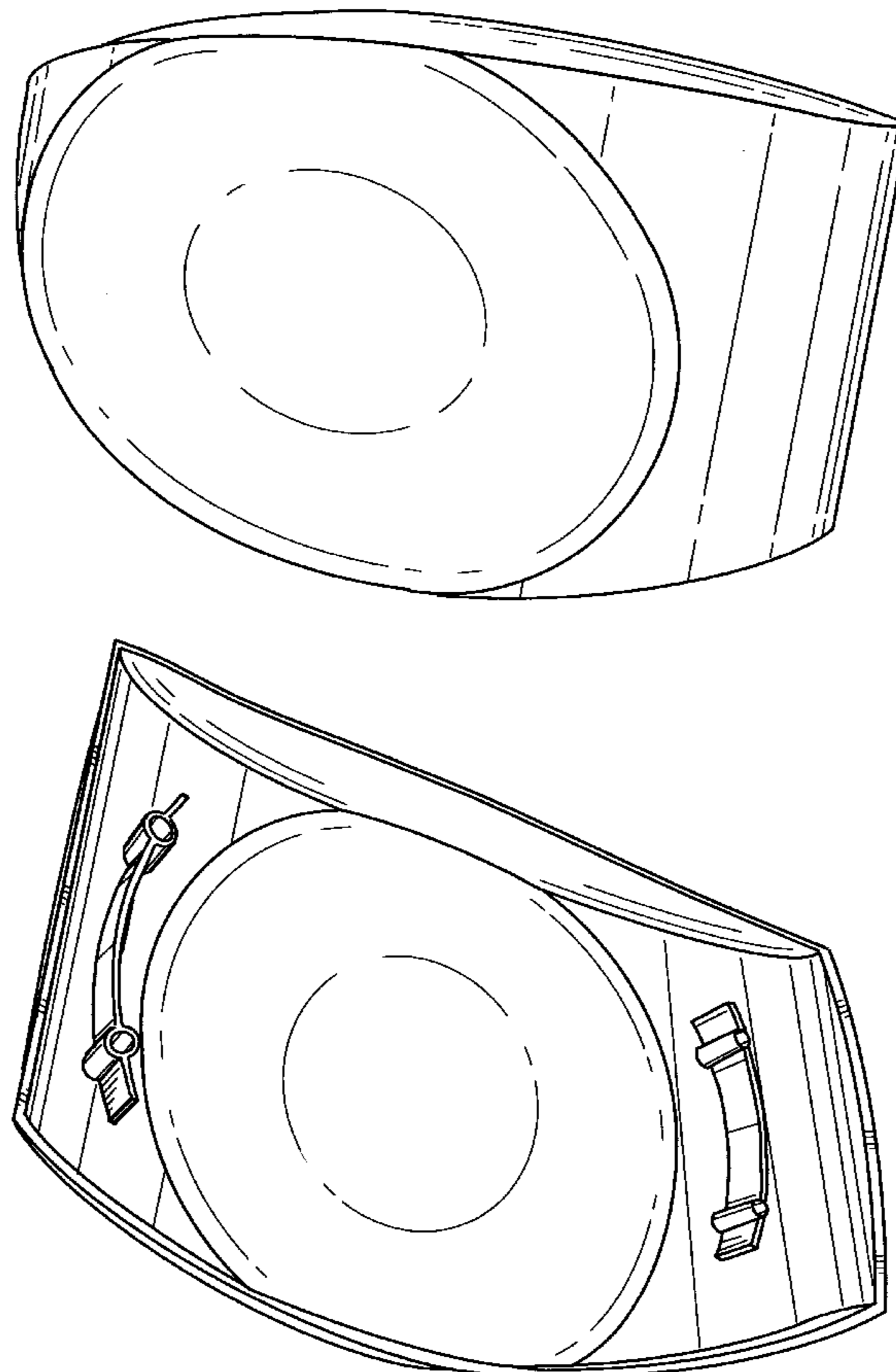
FIG. 3 is a front view of the transceiver unit cover.

FIG. 4 is a back view of the transceiver unit cover.

FIG. 5 is a top plan view of the transceiver unit cover, the bottom being the same in appearance; and,

FIG. 6 is a right side view of the transceiver unit cover, the left side being the same in appearance.

**1 Claim, 5 Drawing Sheets**



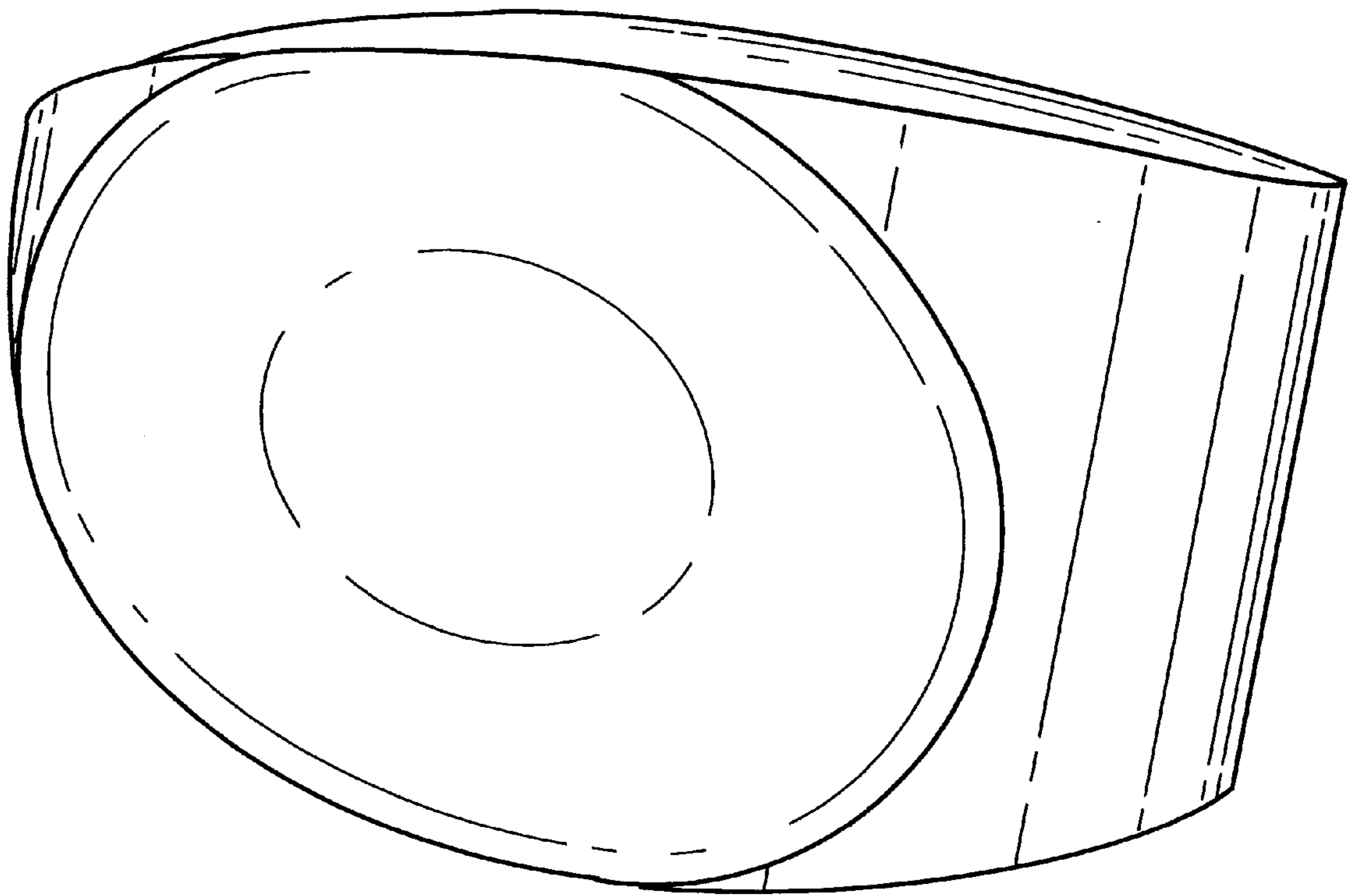


FIG. 1

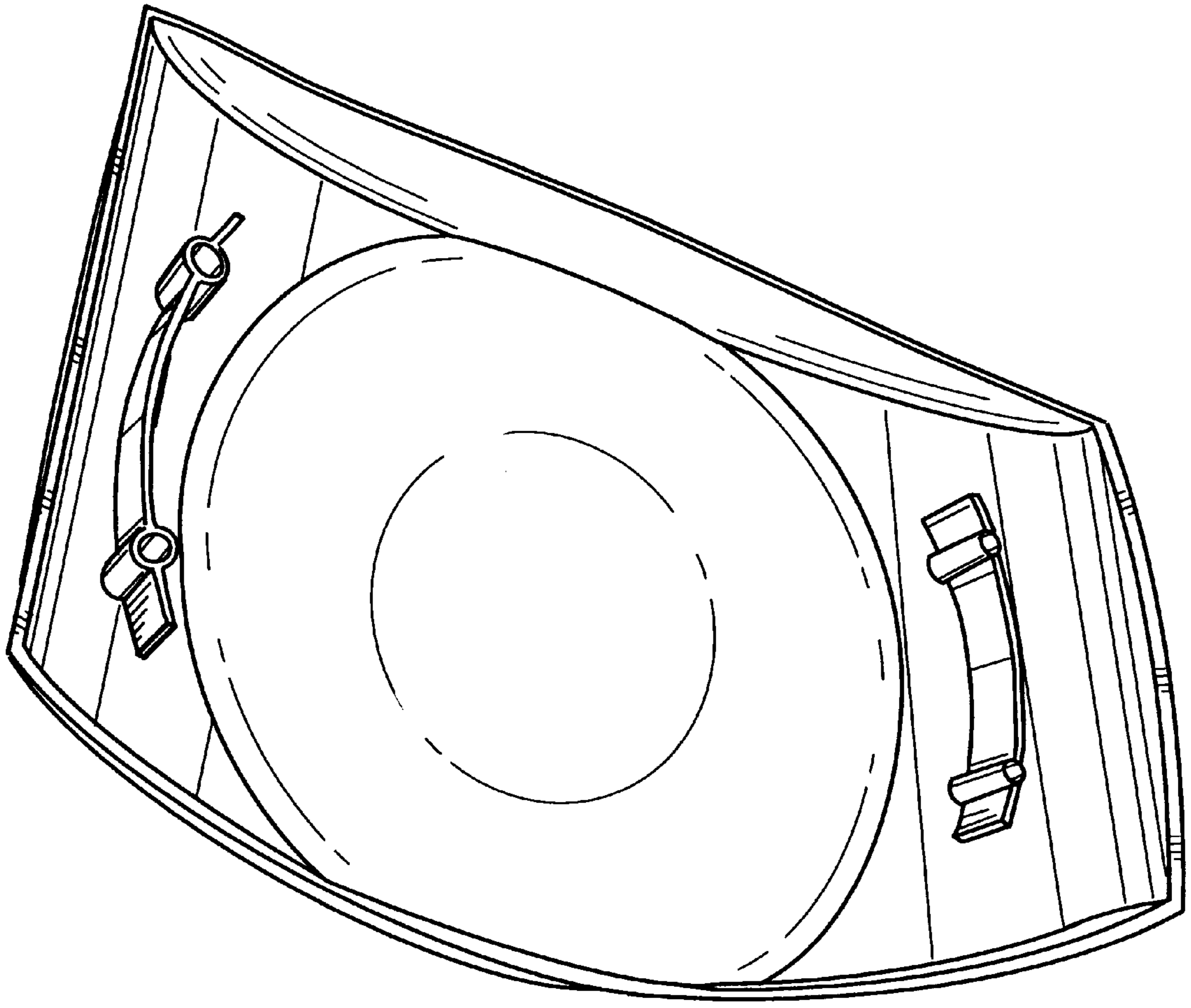


FIG. 2

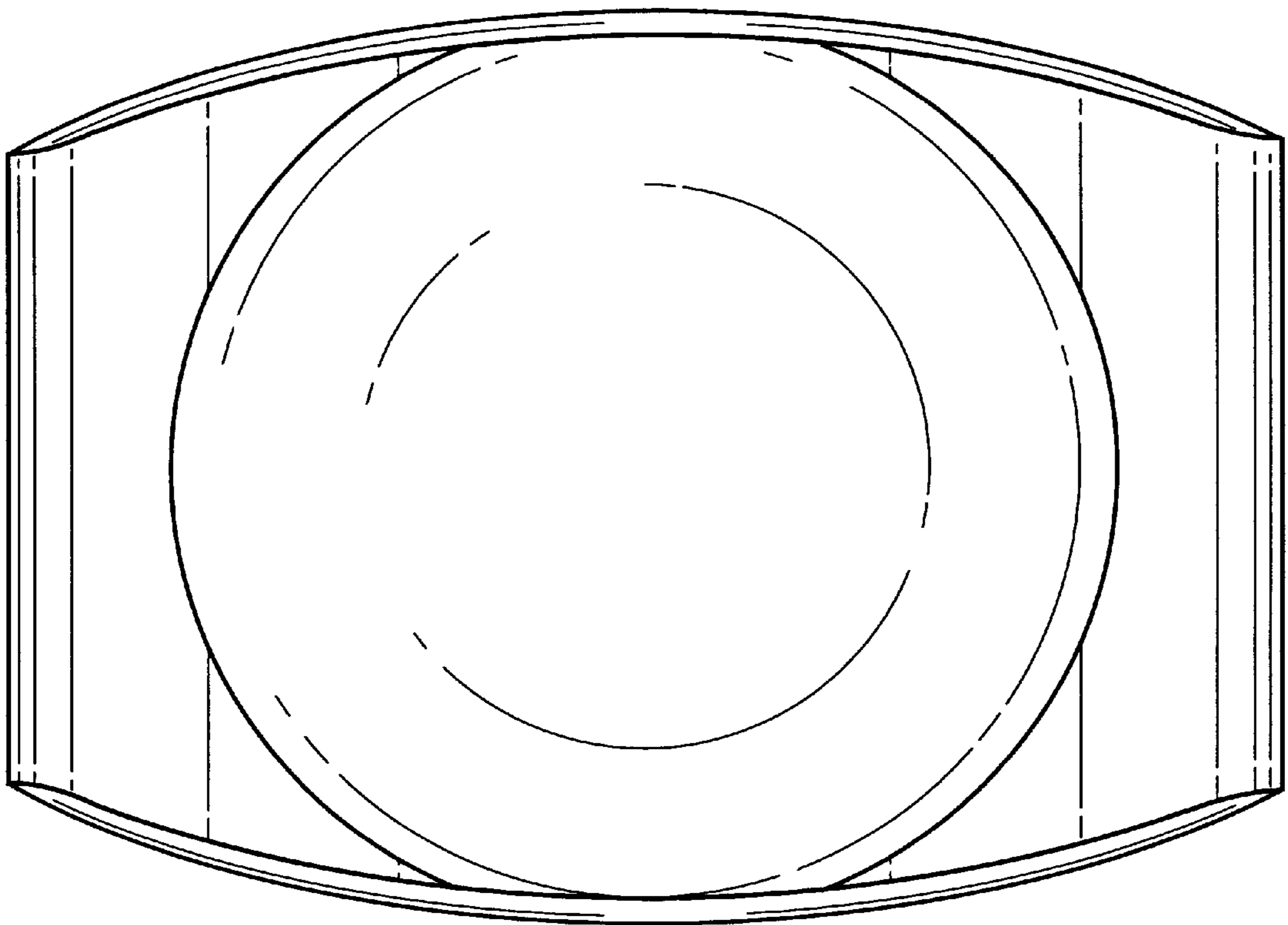


FIG. 3

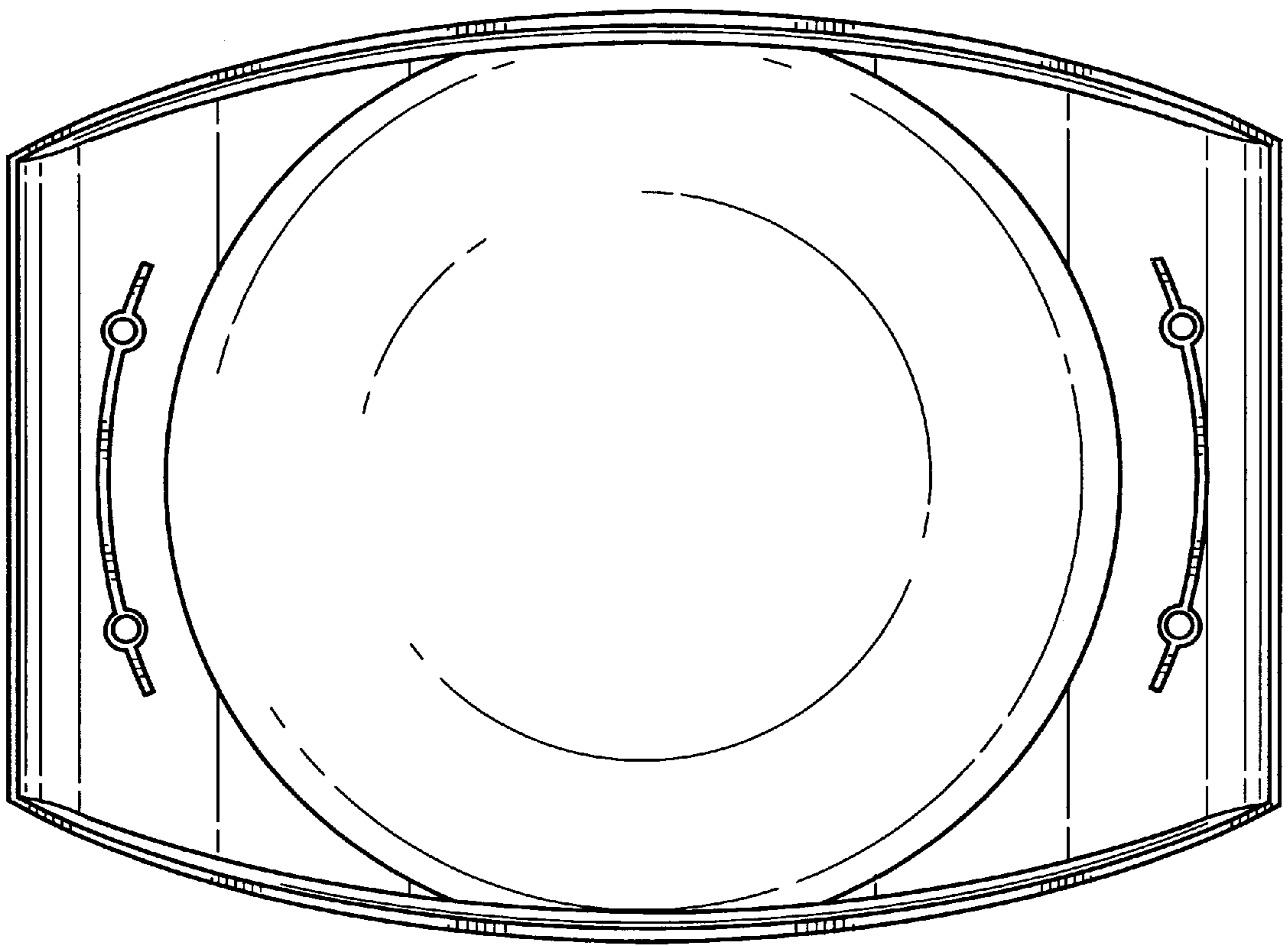


FIG. 4

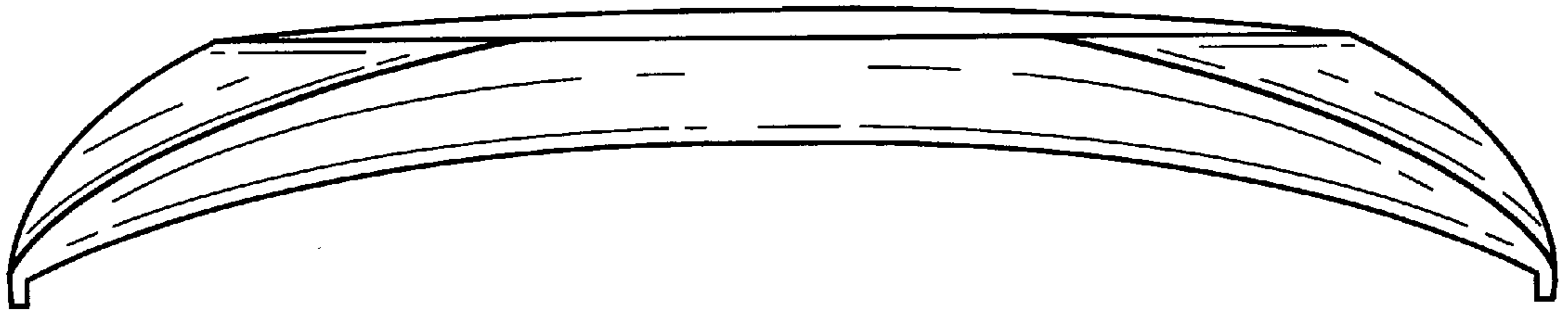


FIG. 5

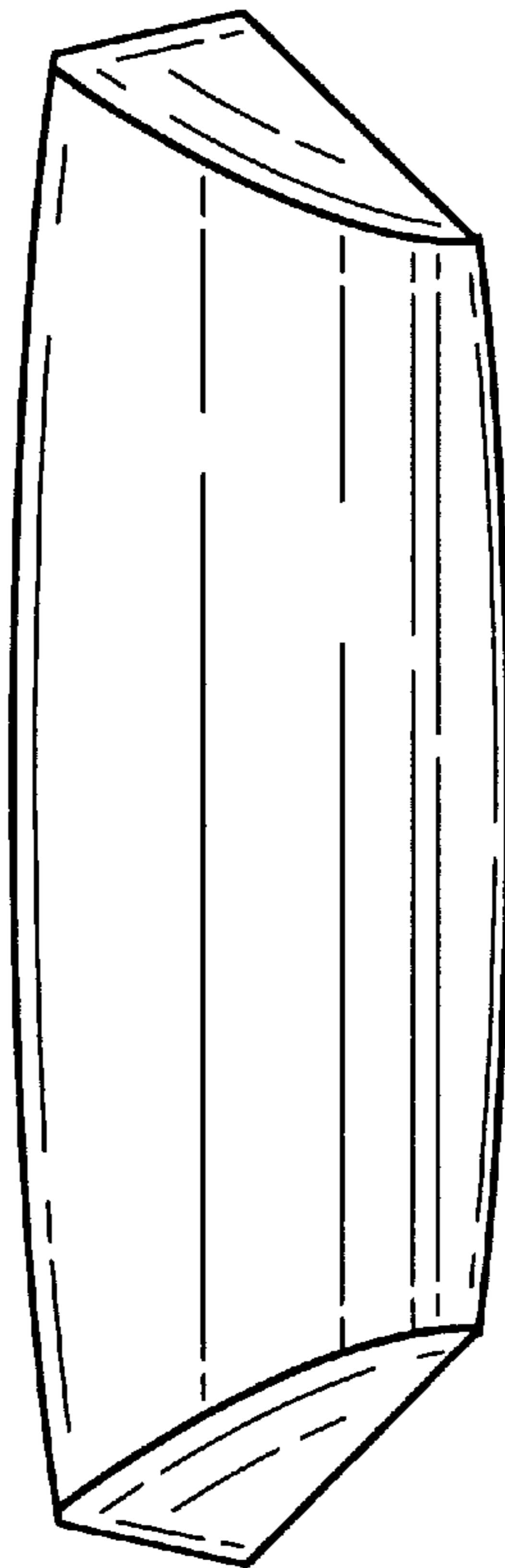


FIG. 6