



US00D438529S

(12) **United States Design Patent**  
**Brennan**

(10) **Patent No.:** **US D438,529 S**

(45) **Date of Patent:** **\*\* Mar. 6, 2001**

(54) **CAR RADIO**

D. 419,207 \* 1/2000 Lieberman ..... D21/548 X  
4,993,985 \* 2/1991 Bass et al. .... 446/465 X

(76) Inventor: **Mark Brennan**, 1326 Crestview Dr.,  
Shelby, NC (US) 28150

\* cited by examiner

(\*\*) Term: **14 Years**

*Primary Examiner*—Nanda Bondade

(74) *Attorney, Agent, or Firm*—Dykema Gossett PLLC

(21) Appl. No.: **29/117,749**

(57) **CLAIM**

(22) Filed: **Feb. 1, 2000**

The ornamental design for a car radio, as shown and described.

(51) **LOC (7) Cl.** ..... **14-03**

(52) **U.S. Cl.** ..... **D14/189; D21/548**

(58) **Field of Search** ..... D14/168, 170–171,  
D14/188, 189, 193–198, 207; D21/516,  
548, 549, 550; 446/431, 447–448, 456,  
465–466; 455/344, 347, 350, 351

**DESCRIPTION**

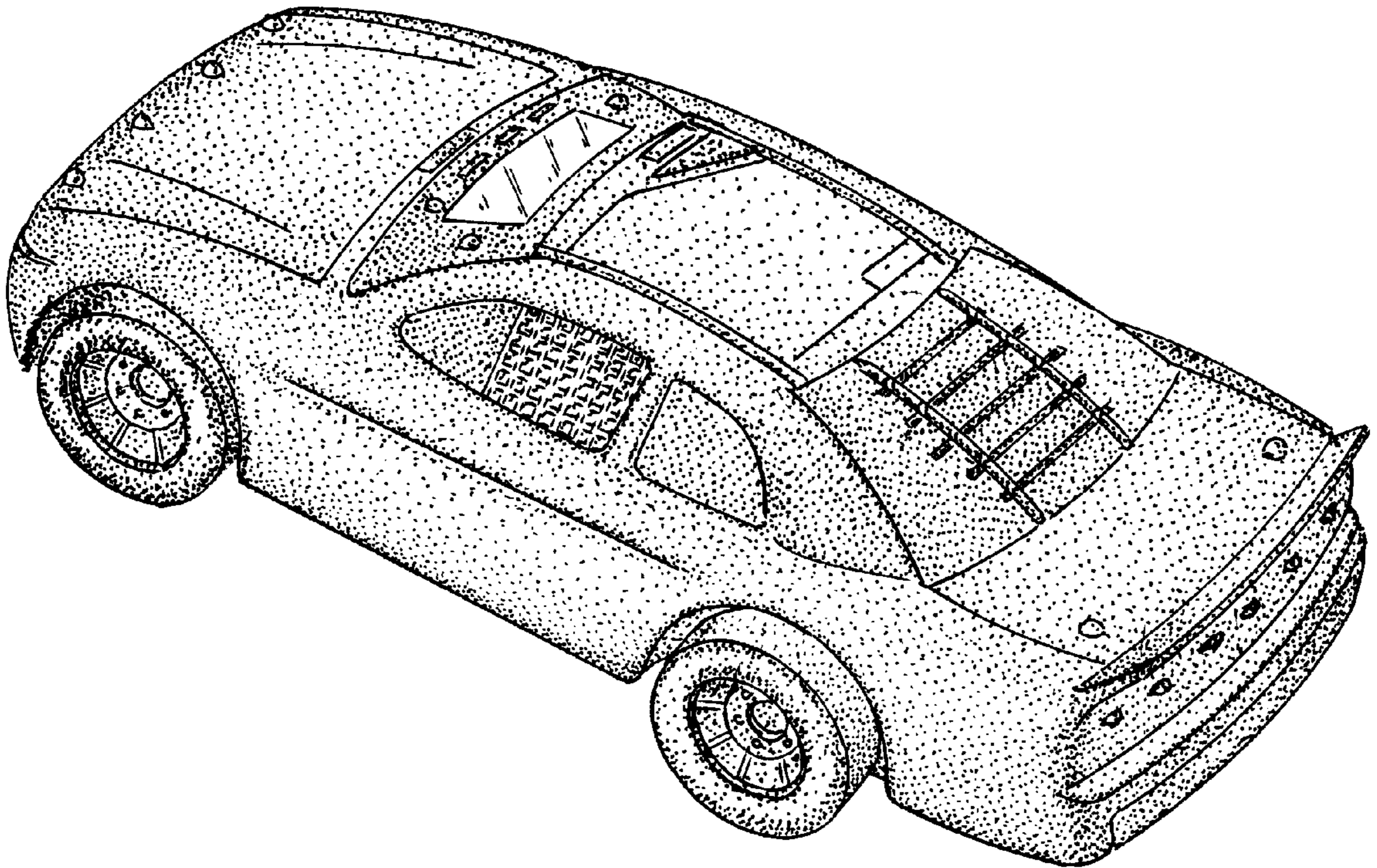
(56) **References Cited**

**U.S. PATENT DOCUMENTS**

D. 350,159 \* 8/1994 Chu ..... D14/189 X  
D. 371,975 \* 7/1996 Dukstra ..... D14/189 X  
D. 377,492 \* 1/1997 Dijkstra ..... D14/189 X  
D. 408,456 \* 4/1999 Garner ..... D21/550 X

FIG. 1 is a top perspective view of a car radio in accordance with my new and ornamental design, FIG. 2 is a left side elevational view thereof, FIG. 3 is a top plan view thereof, FIG. 4 is a right side elevational view thereof, FIG. 5 is a front elevational view thereof, FIG. 6 is a rear elevational view thereof; and, FIG. 7 is a bottom plan view thereof. FIG. 1 is on a reduced scale.

**1 Claim, 3 Drawing Sheets**





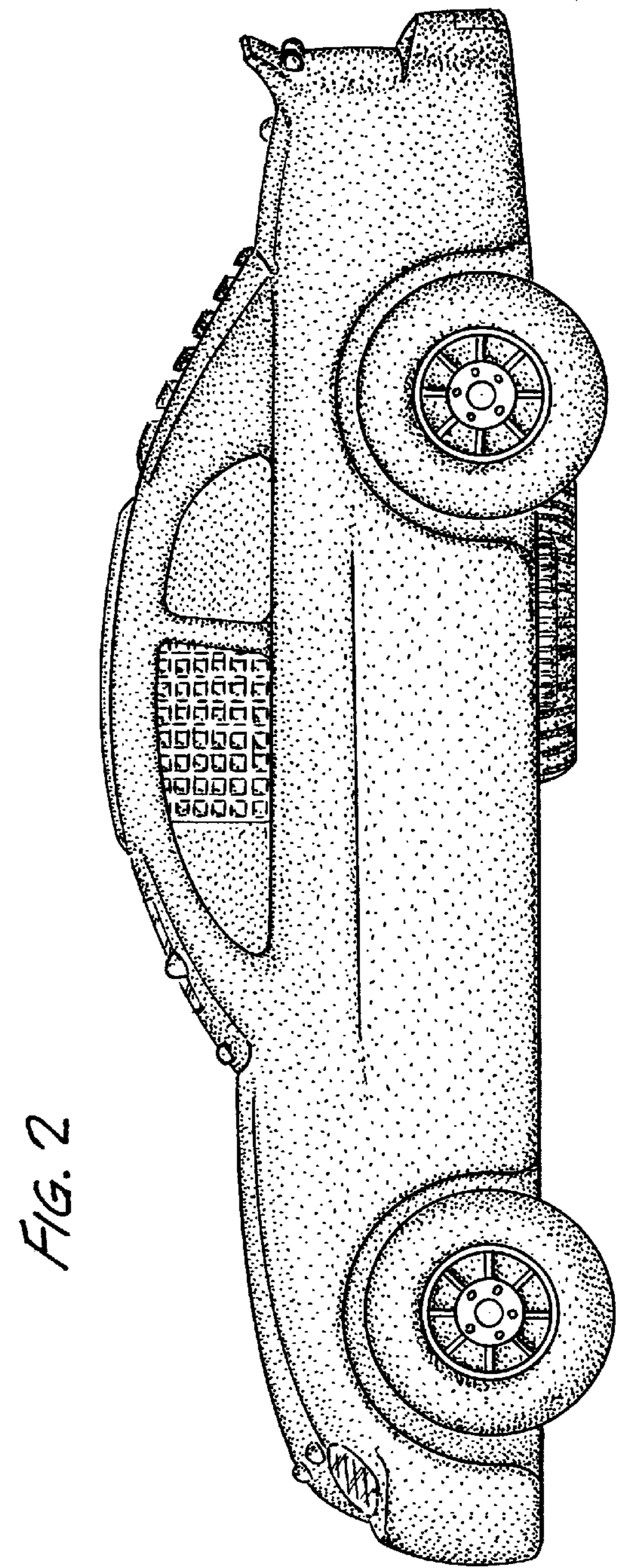
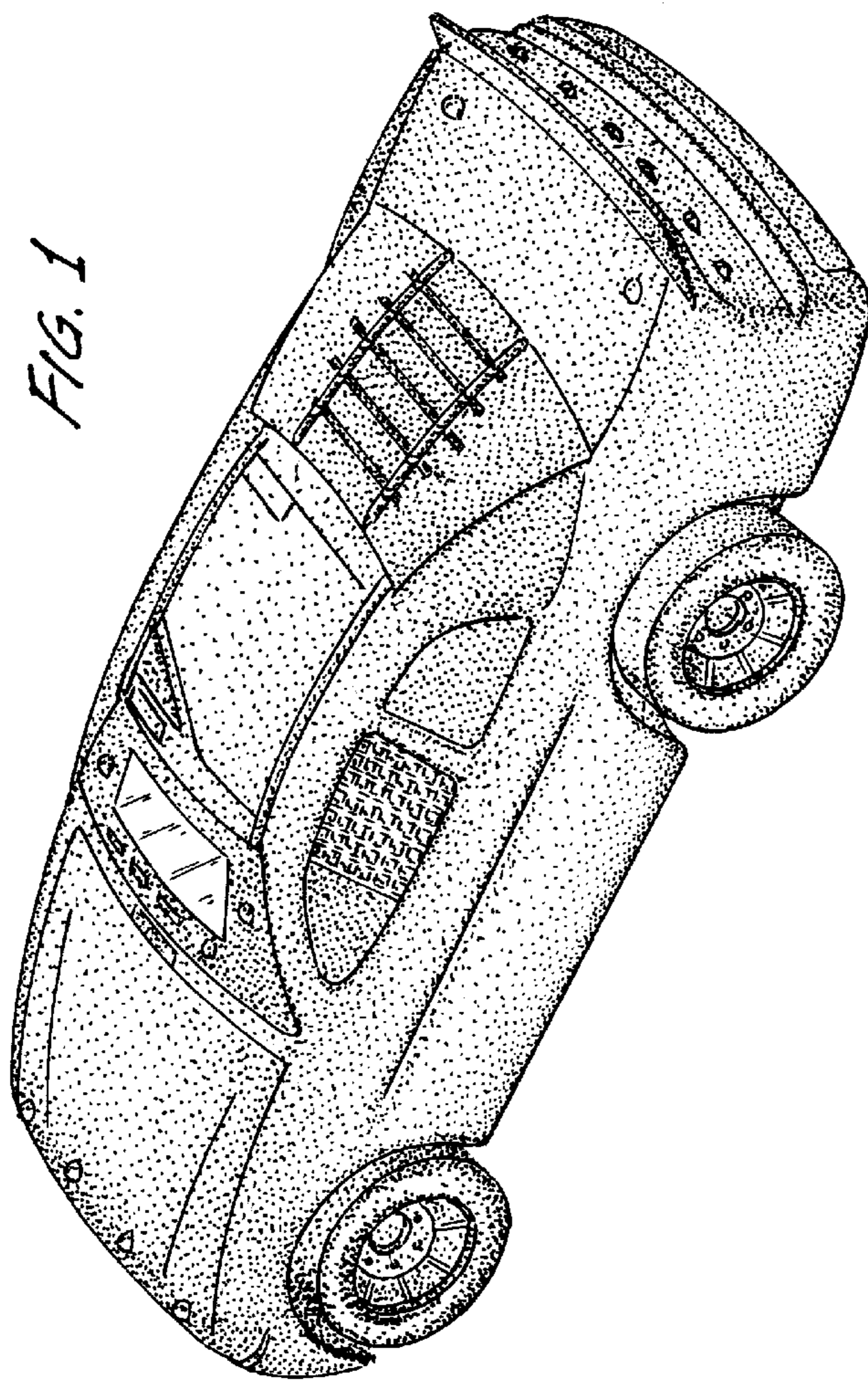




FIG. 3

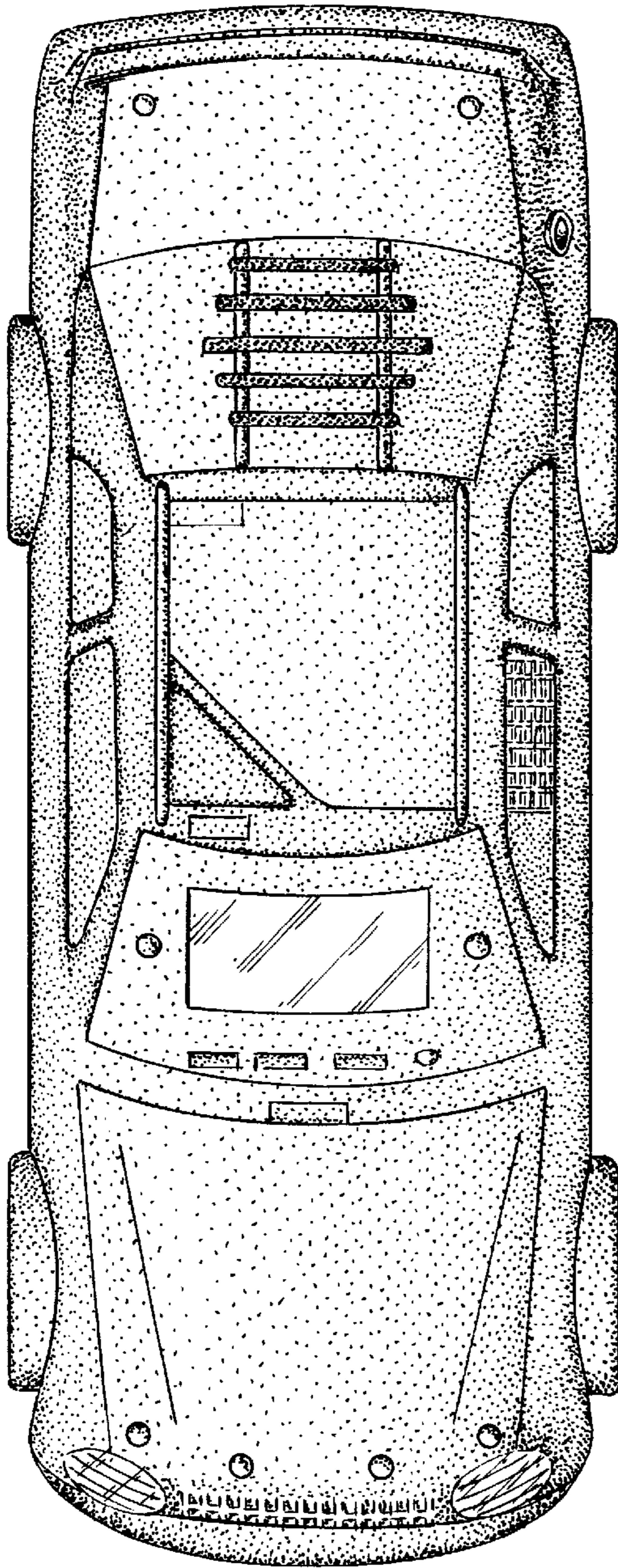


FIG. 4

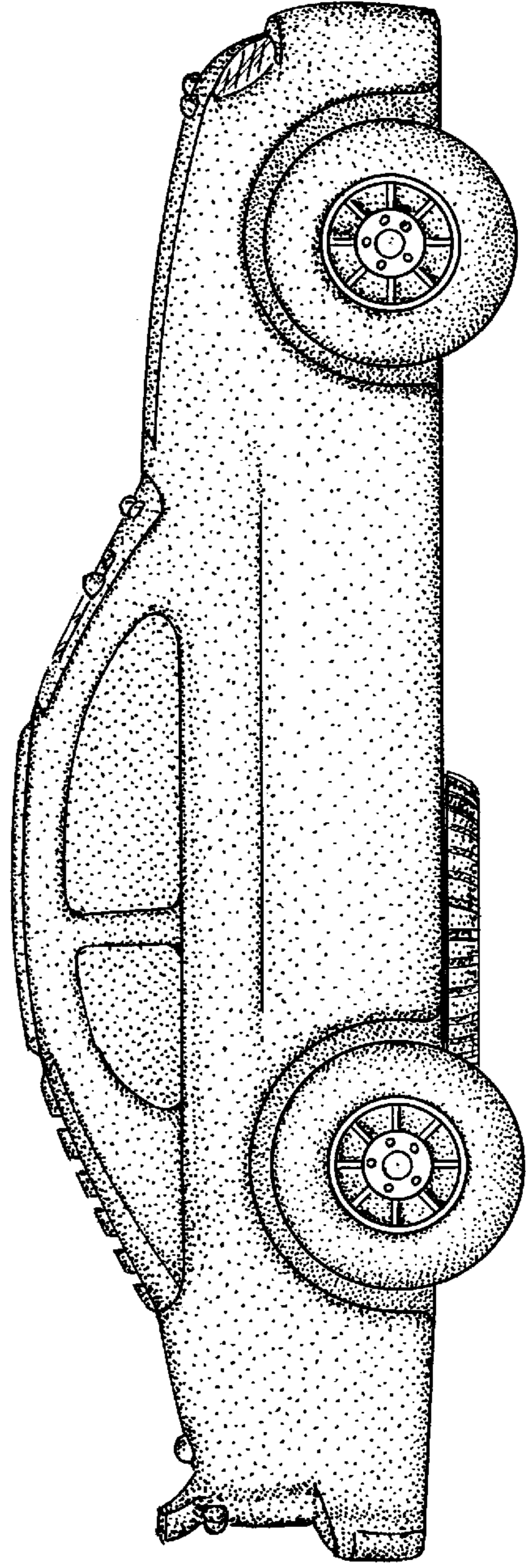




FIG. 6

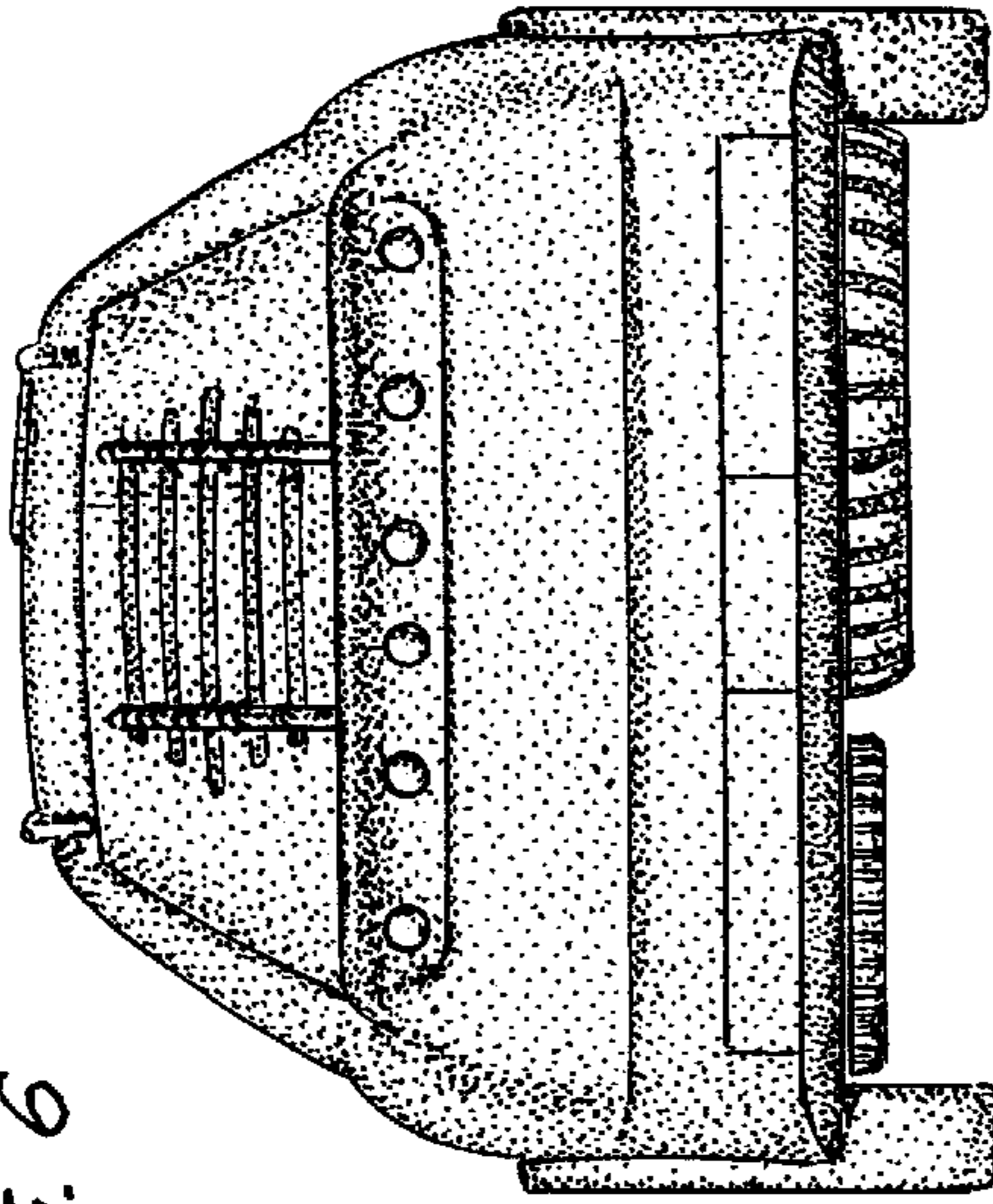


FIG. 5

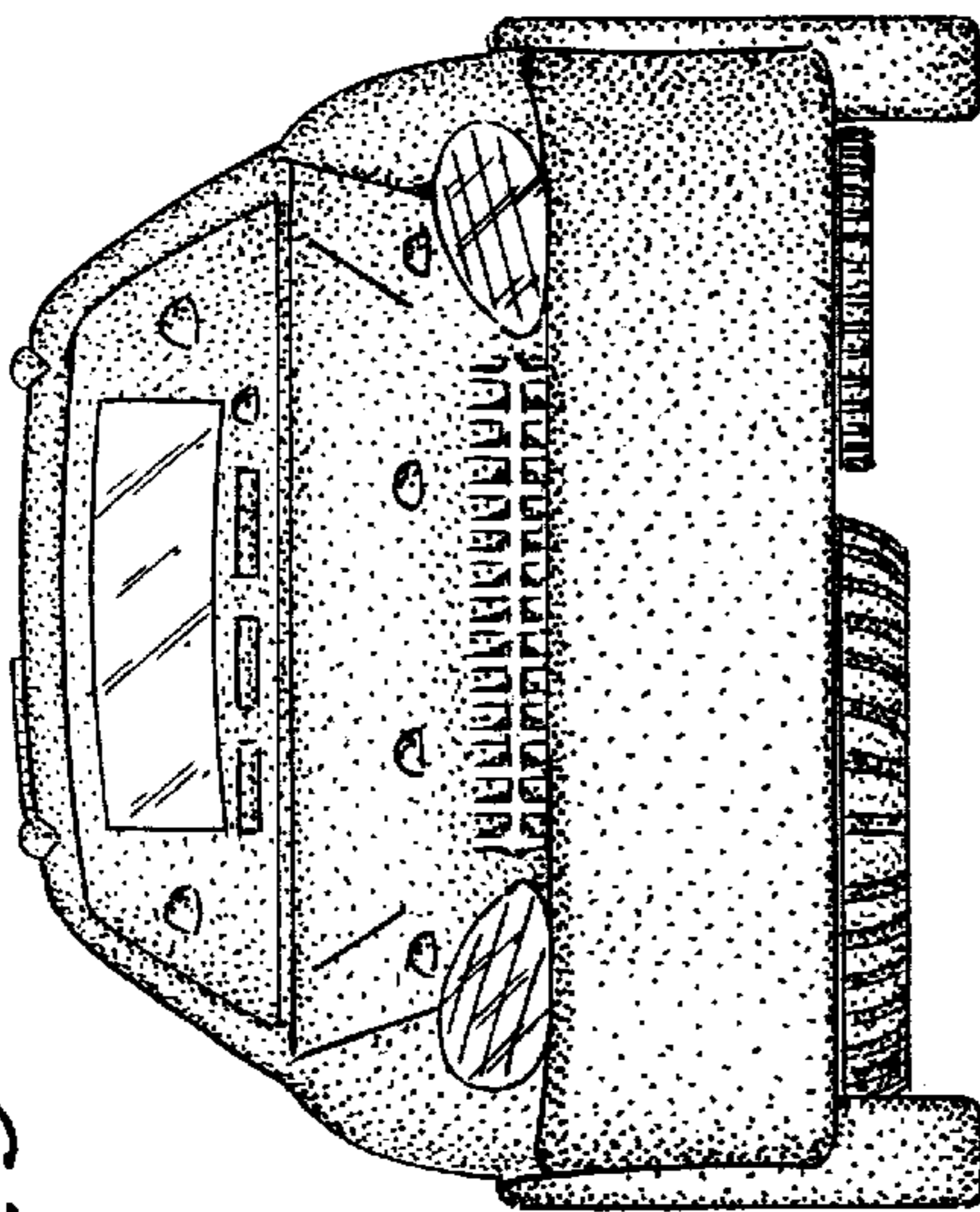


FIG. 7

