



US00D438528S

(12) **United States Design Patent**  
**Chan**

(10) **Patent No.:** **US D438,528 S**

(45) **Date of Patent:** **\*\* Mar. 6, 2001**

(54) **TORCH RADIO**

(75) **Inventor:** **Yin Chau Chan, N.T. (HK)**

(73) **Assignee:** **Gonica Electronic Co., Ltd., New Territories (HK)**

(\*\*) **Term:** **14 Years**

(21) **Appl. No.:** **29/124,089**

(22) **Filed:** **May 31, 2000**

(51) **LOC (7) Cl. .... 14-01**

(52) **U.S. Cl. .... D14/168; D26/38**

(58) **Field of Search .... D14/168, 188; D26/38, 48-50; 455/344, 347, 350, 351**

(56) **References Cited**

**U.S. PATENT DOCUMENTS**

- D. 294,698 \* 3/1988 Yuen ..... D26/38 X
- D. 340,300 \* 10/1993 Yuen ..... D14/168 X
- D. 341,900 \* 11/1993 Yuen ..... D14/168 X

- D. 385,277 \* 10/1997 Li ..... D14/168
- D. 387,348 \* 12/1997 Lam et al. .... D14/168
- D. 407,514 \* 3/1999 Yuen ..... D26/49

\* cited by examiner

*Primary Examiner*—Nanda Bondade

(74) *Attorney, Agent, or Firm*—Rabin & Champagne, P.C.

(57) **CLAIM**

The ornamental design for a torch radio, as shown and described.

**DESCRIPTION**

FIG. 1 is a front view of a torch radio showing my new design;

FIG. 2 is a top view thereof;

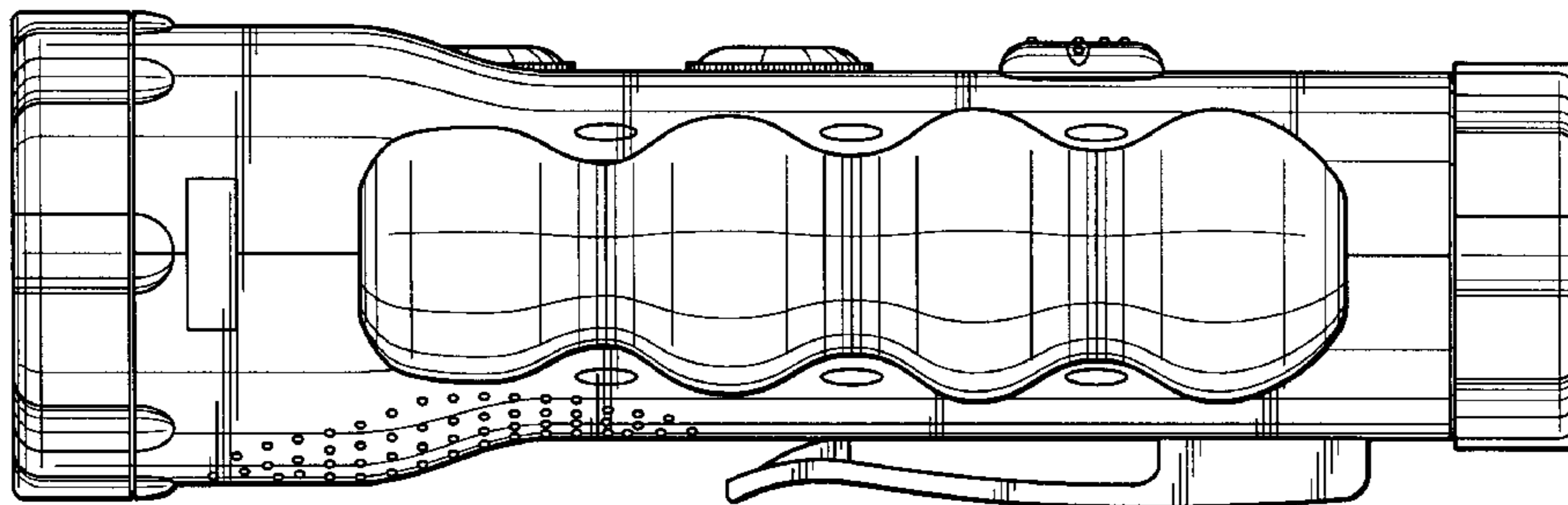
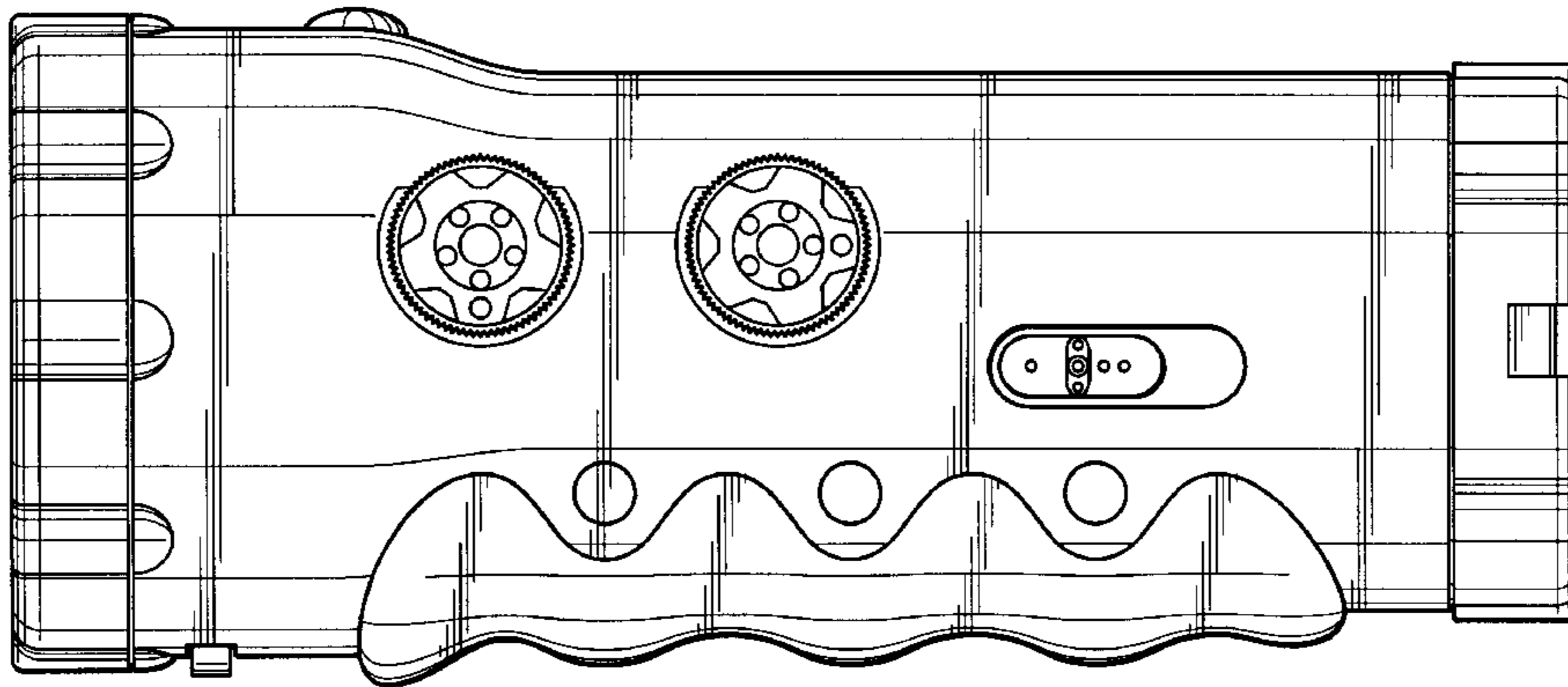
FIG. 3 is a left side view thereof;

FIG. 4 is a right side view thereof;

FIG. 5 is a rear view thereof; and,

FIG. 6 is a bottom view thereof.

**1 Claim, 3 Drawing Sheets**



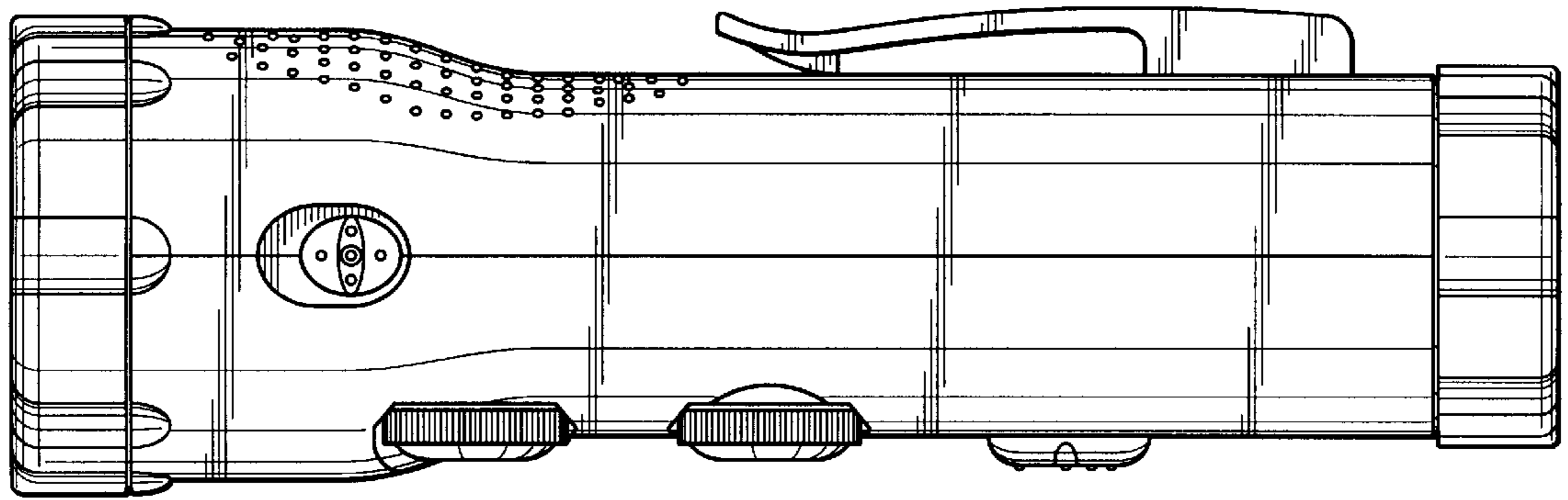


FIG. 2

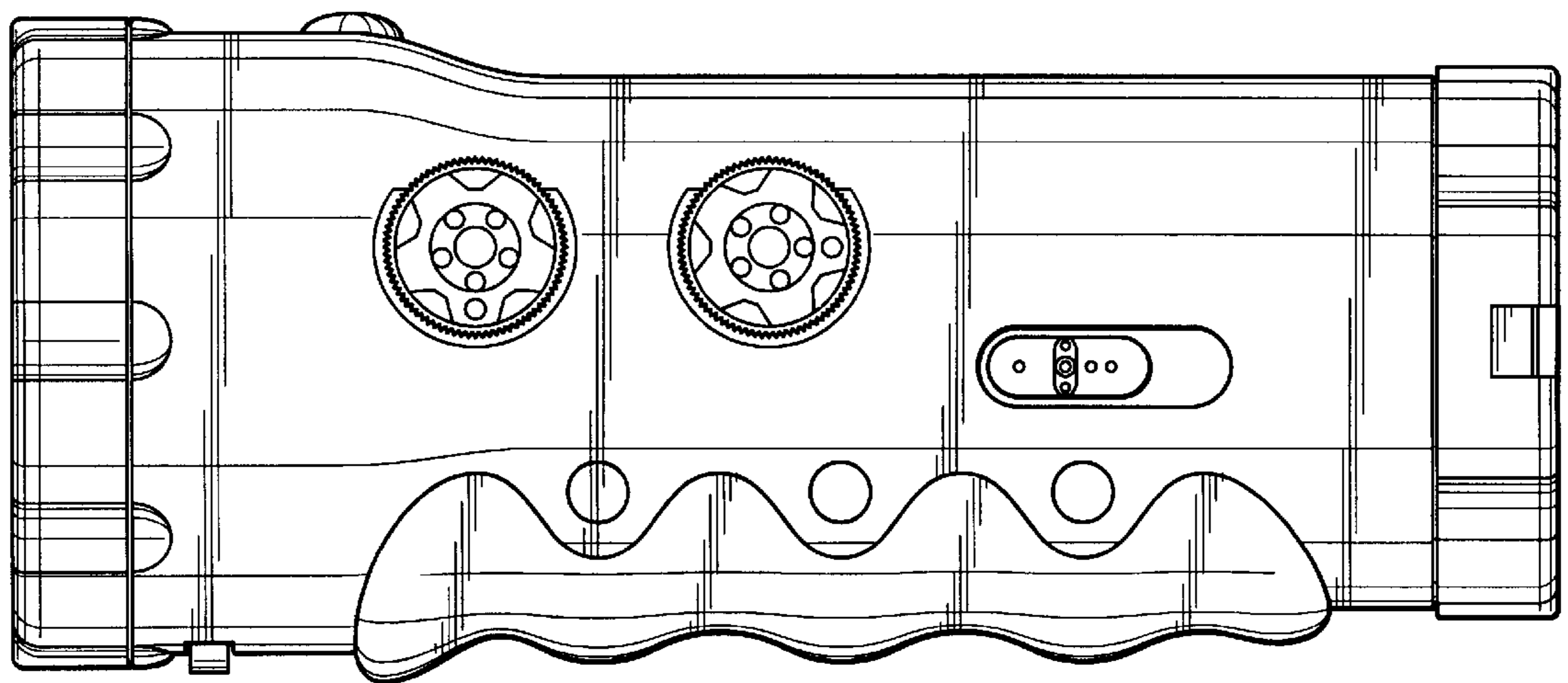


FIG. 1

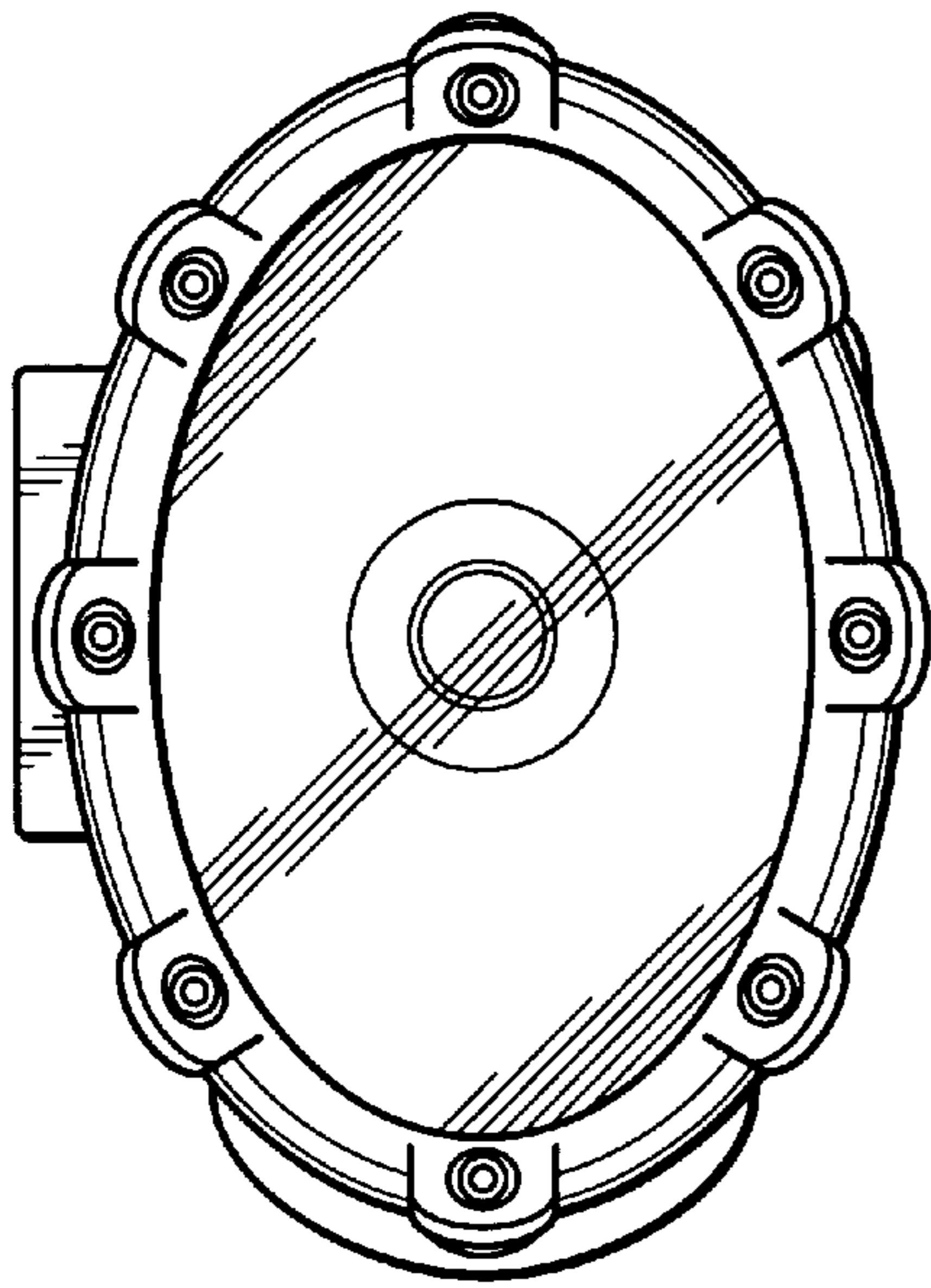


FIG. 3

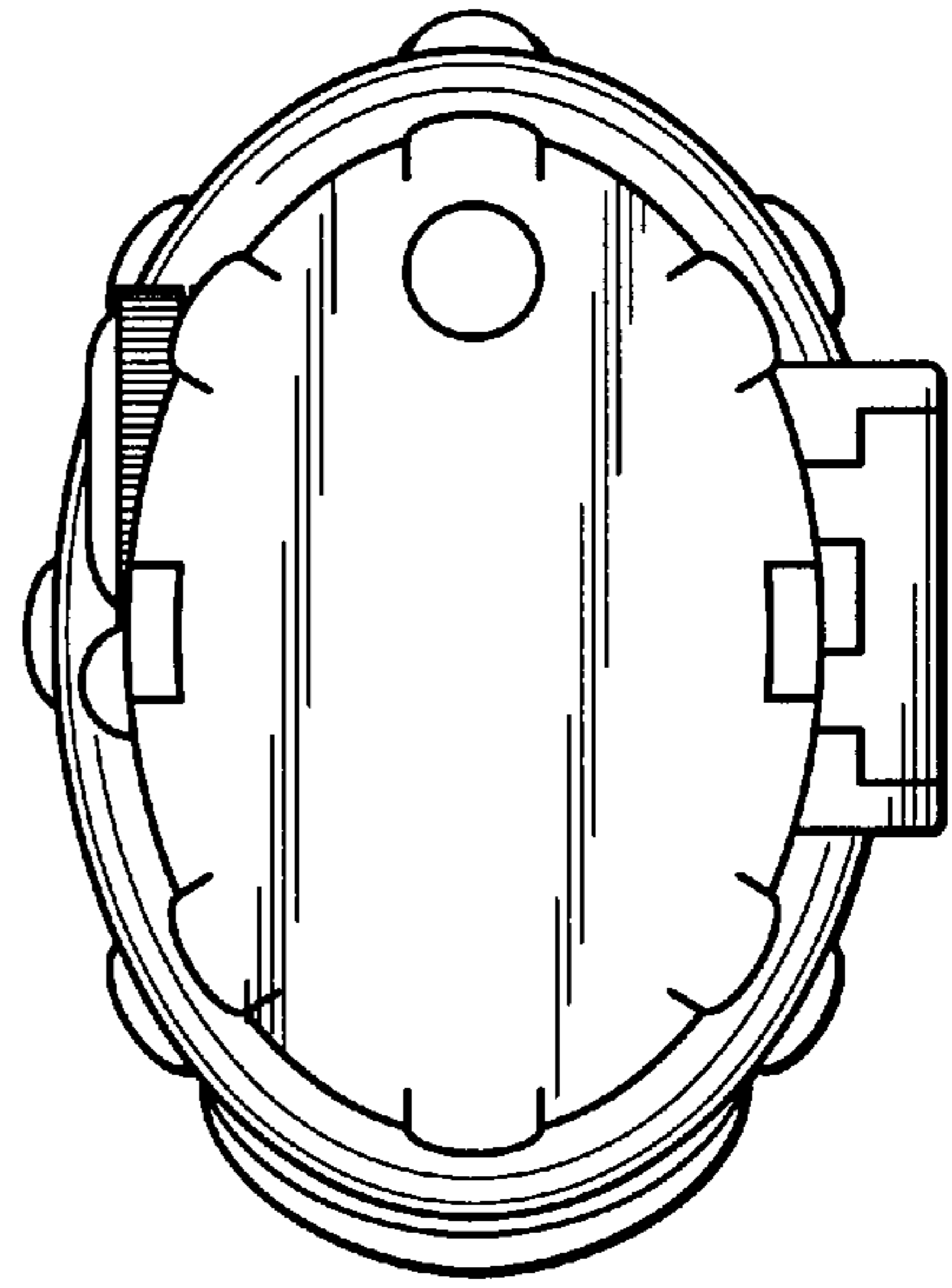


FIG. 4

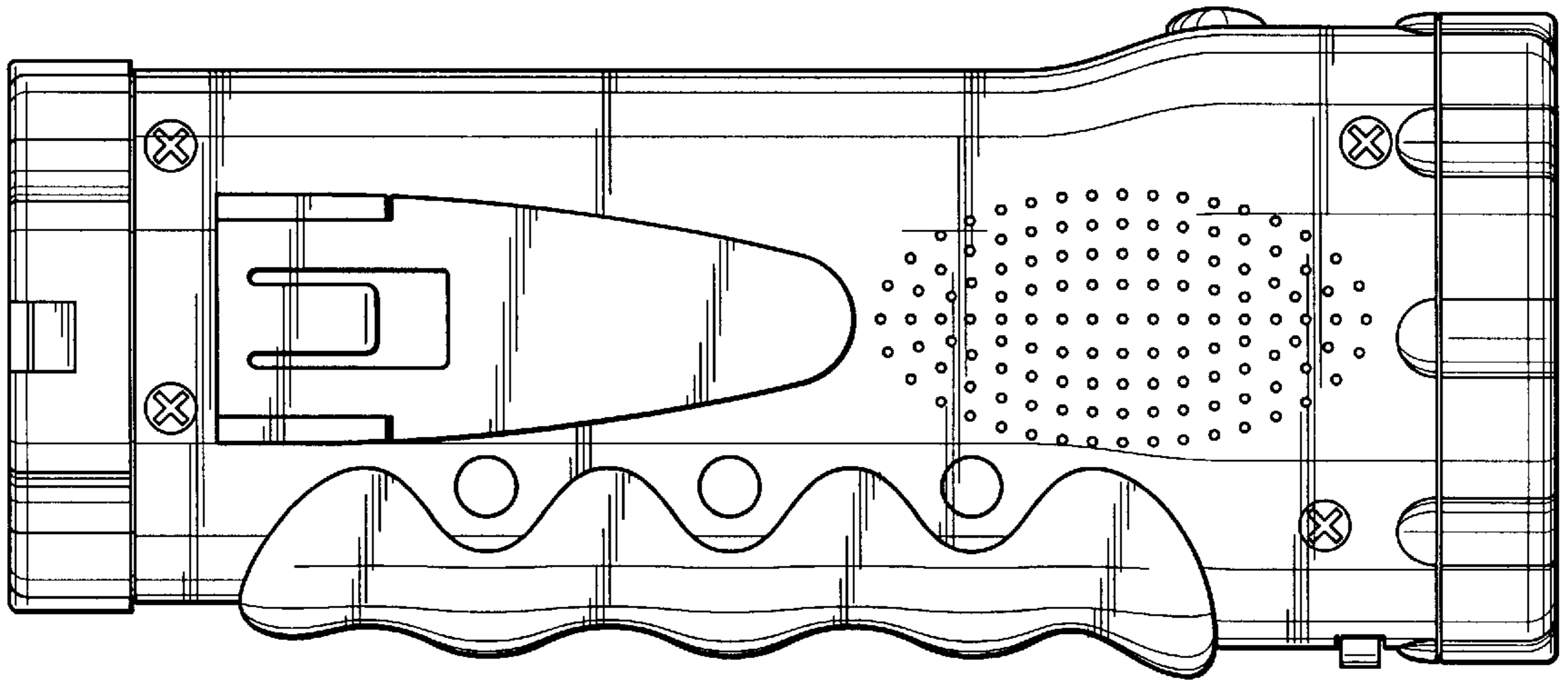


FIG. 5

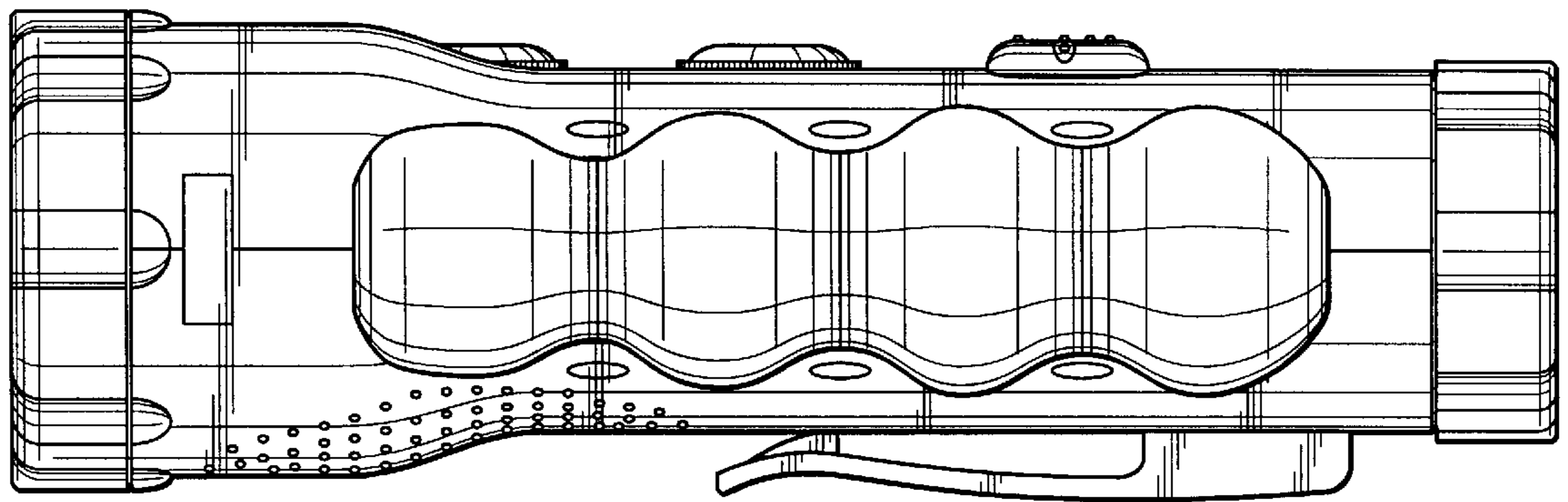


FIG. 6