



US00D438525S

(12) **United States Design Patent**
Katayama

(10) **Patent No.:** **US D438,525 S**

(45) **Date of Patent:** **** Mar. 6, 2001**

(54) **DIGITAL AUDIO PLAYER**

(75) Inventor: **Yuji Katayama**, Tokyo (JP)

(73) Assignee: **Kabushiki Kaisha Toshiba**, Kawasaki (JP)

(**) Term: **14 Years**

(21) Appl. No.: **29/125,482**

(22) Filed: **Jun. 26, 2000**

(30) **Foreign Application Priority Data**

Dec. 27, 1999 (JP) 11-36943

(51) **LOC (7) Cl.** **14-01**

(52) **U.S. Cl.** **D14/156**

(58) **Field of Search** D14/135, 136,
D14/156, 160-163, 165, 167-168, 188;
369/75.1, 75.2, 77.1, 77.2

(56) **References Cited**

U.S. PATENT DOCUMENTS

- D. 310,834 * 9/1990 Shibata D14/156
- D. 350,748 * 9/1994 Sakata et al. D14/156

- D. 377,491 * 1/1997 Chou D14/167
- 4,398,281 * 8/1983 Hughes 369/77.1

OTHER PUBLICATIONS

Sanyo Catalog of a memory player SSP-PD7, Mar. 1, 2000.

* cited by examiner

Primary Examiner—Nanda Bondade

(74) *Attorney, Agent, or Firm*—Oblon, Spivak, McClelland, Maier & Neustadt, P.C.

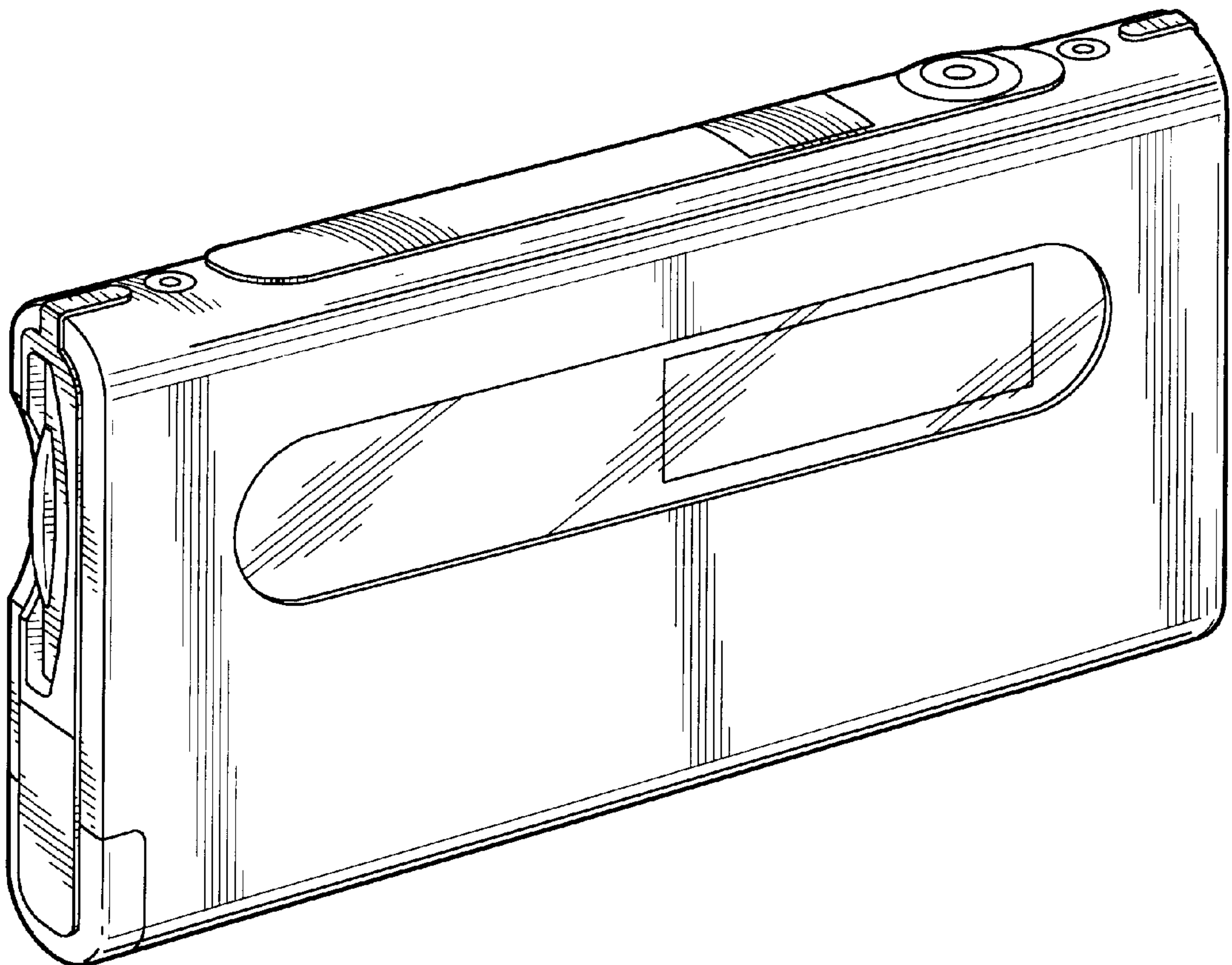
(57) **CLAIM**

The ornamental design for a digital audio player, as shown.

DESCRIPTION

FIG. 1 is a front, top and left side perspective view of a digital audio player, showing my new design;
 FIG. 2 is a top plan view thereof;
 FIG. 3 is a front elevational view thereof;
 FIG. 4 is a right side elevational view thereof;
 FIG. 5 is a bottom plan view thereof;
 FIG. 6 is a left side elevational view thereof; and,
 FIG. 7 is a rear elevational view thereof.

1 Claim, 3 Drawing Sheets



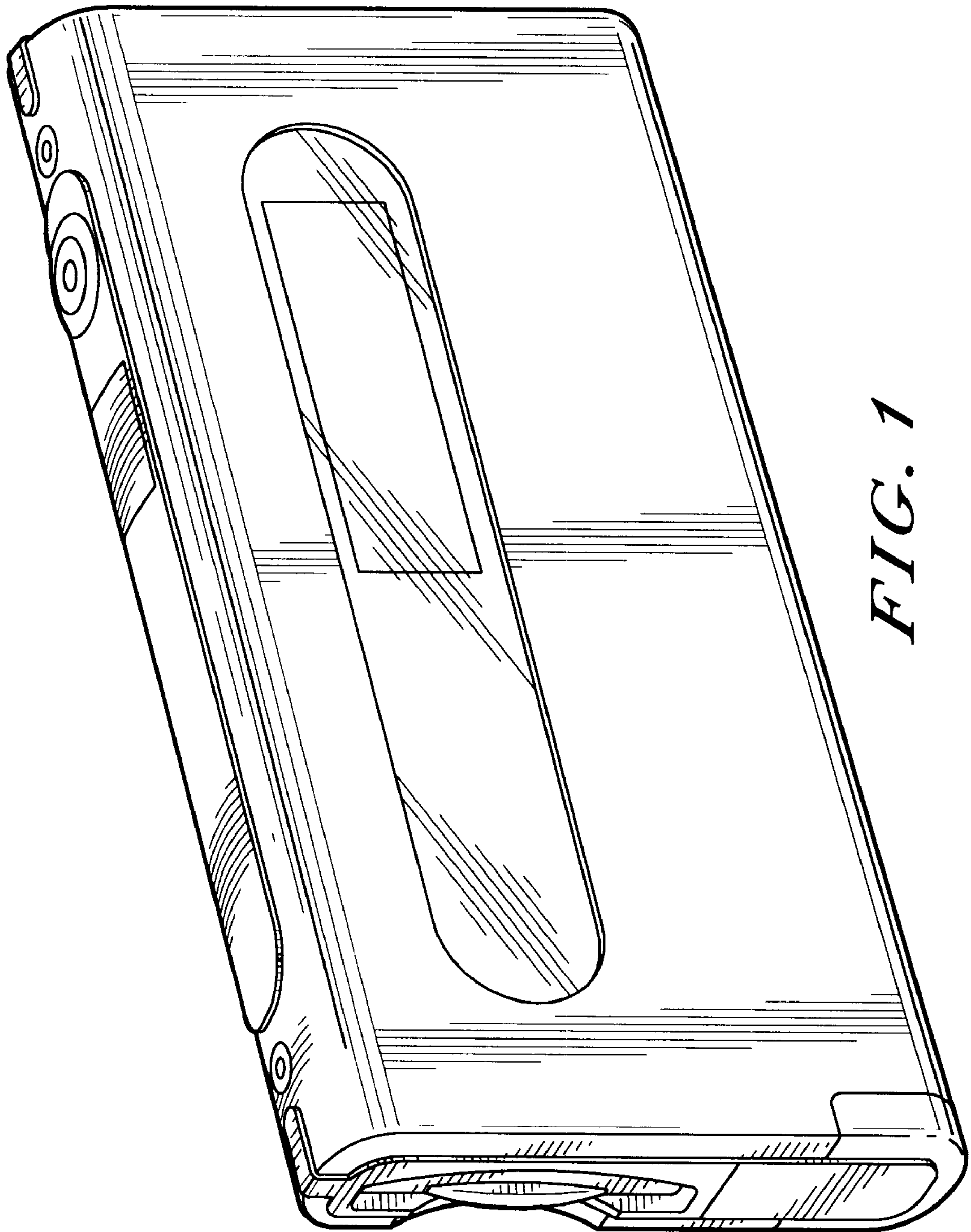


FIG. 1

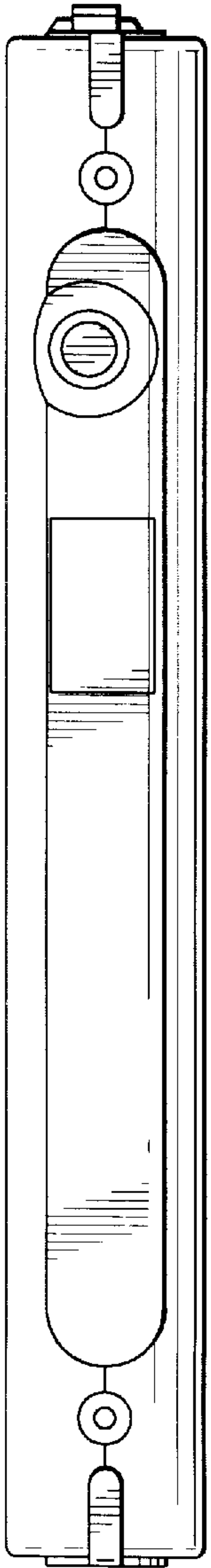


FIG. 2

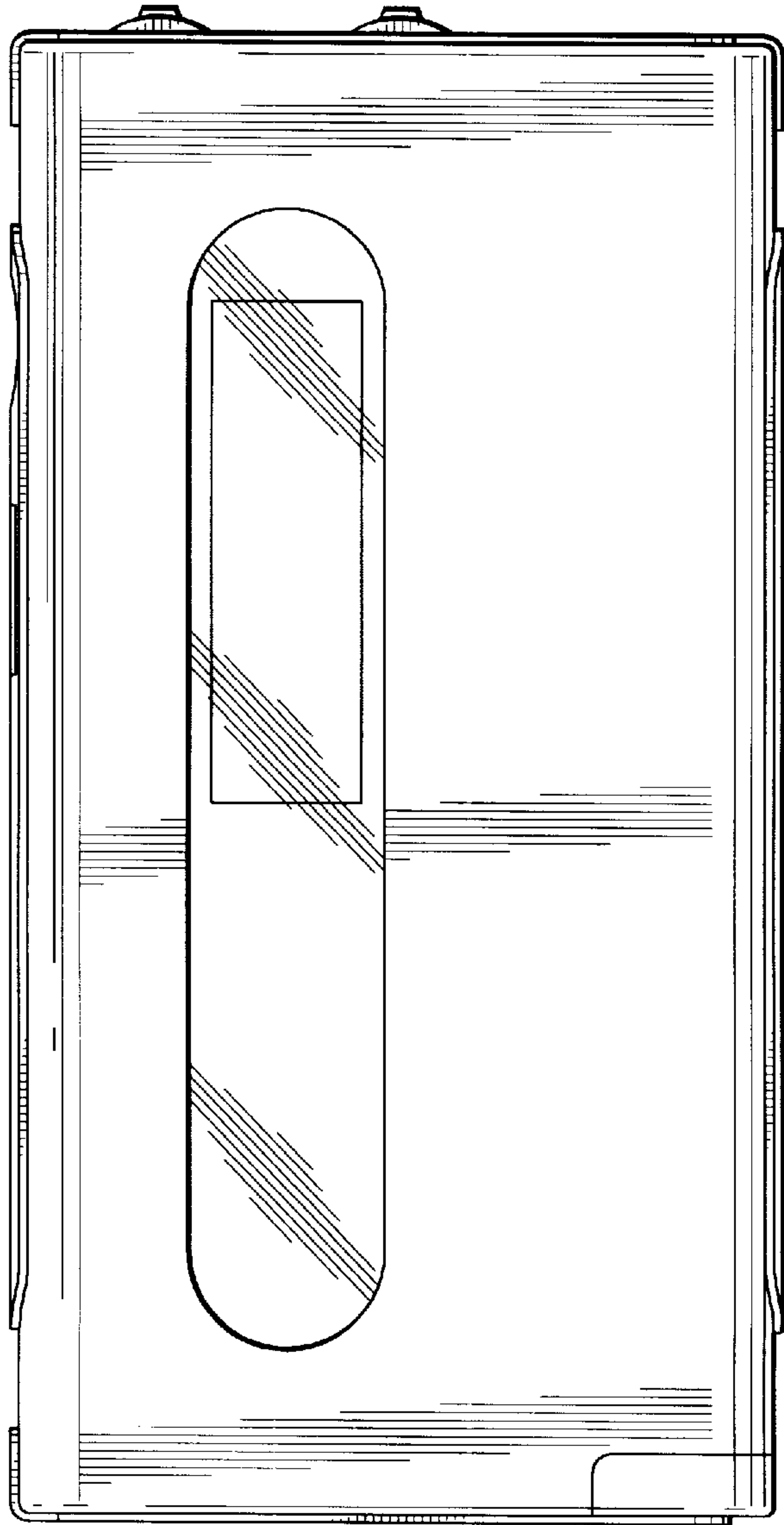


FIG. 3

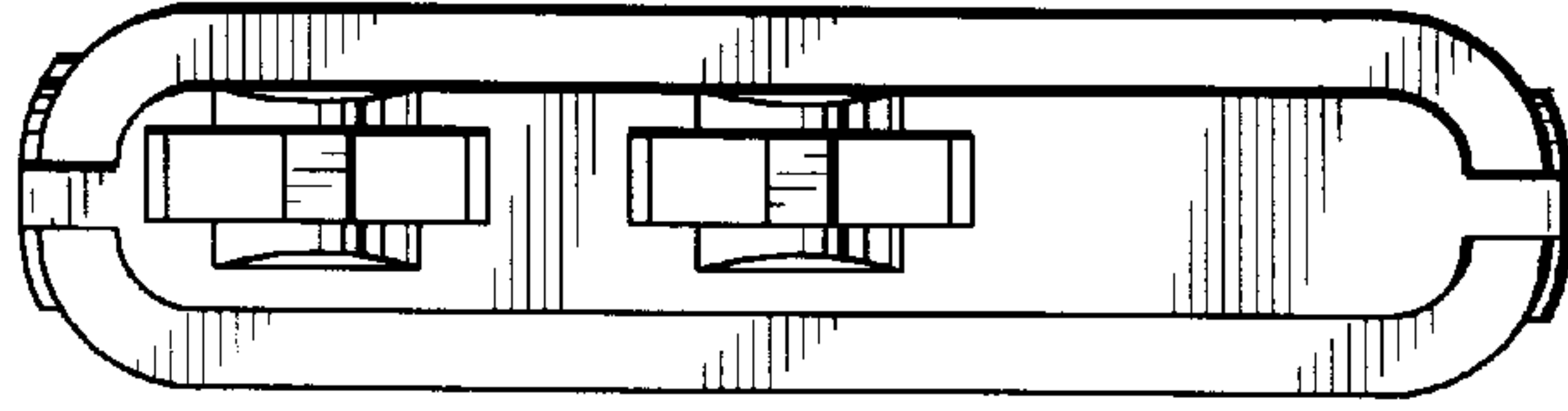


FIG. 4

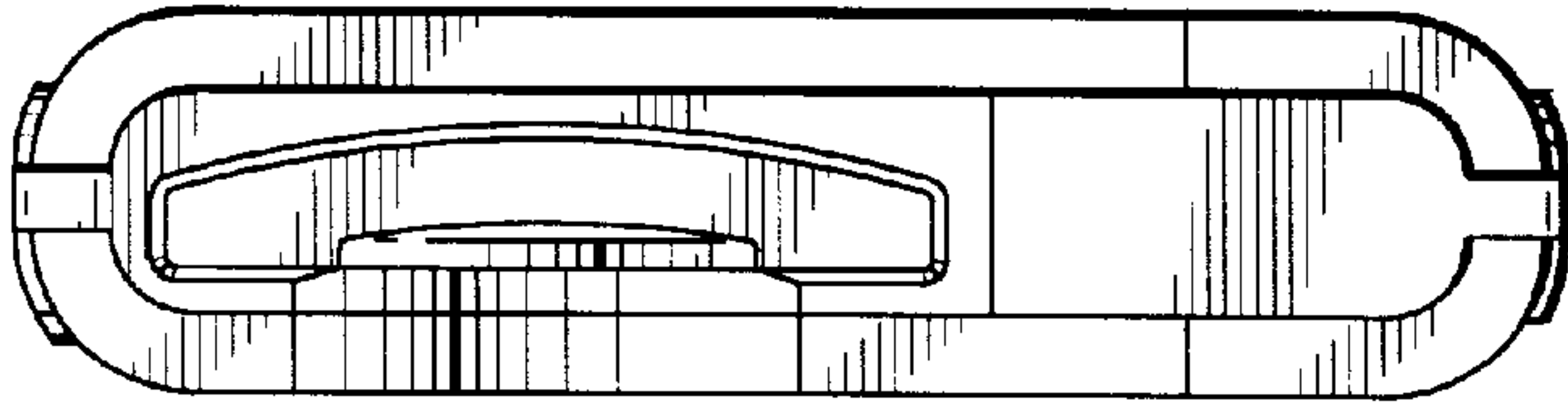


FIG. 6

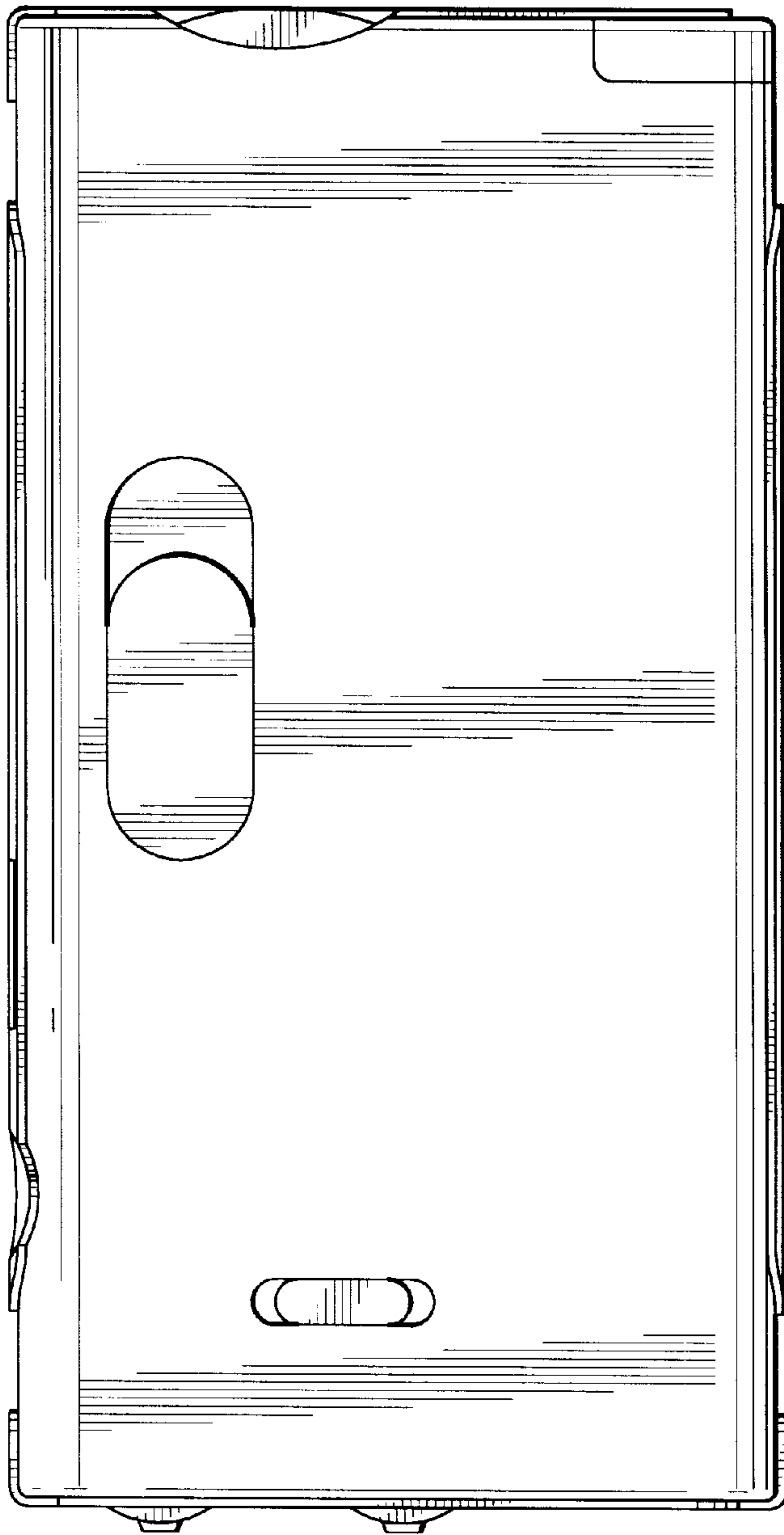


FIG. 7

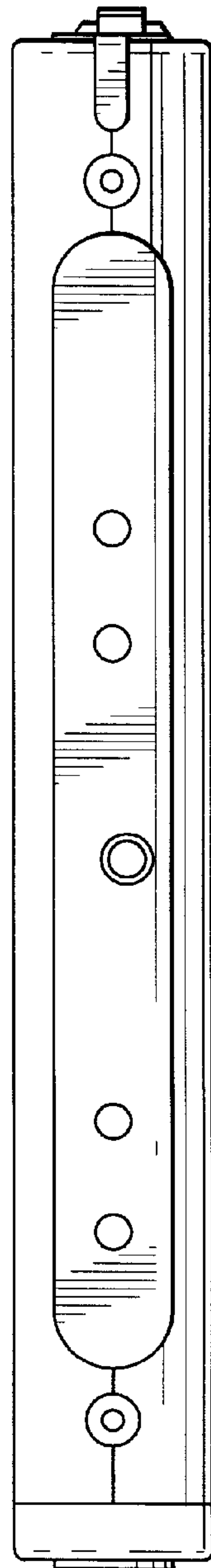


FIG. 5