



US00D438522S

(12) **United States Design Patent**  
**Yoshiyama**

(10) **Patent No.:** **US D438,522 S**

(45) **Date of Patent:** **\*\* Mar. 6, 2001**

(54) **DIGITAL VIDEO DISC PLAYER**

(75) **Inventor:** **Tsuyoshi Yoshiyama, Osaka (JP)**

(73) **Assignee:** **Matsushita Electric Industrial Co., Ltd. (JP)**

(\*\*) **Term:** **14 Years**

(21) **Appl. No.:** **29/125,631**

(22) **Filed:** **Jun. 21, 2000**

(30) **Foreign Application Priority Data**

Dec. 28, 1999 (JP) ..... 11-36375

(51) **LOC (7) Cl.** ..... **14-01**

(52) **U.S. Cl.** ..... **D14/136**

(58) **Field of Search** ..... D14/125, 135,  
D14/136, 156; 369/75.1, 75.2, 77.1, 77.2

(56) **References Cited**

**U.S. PATENT DOCUMENTS**

- D. 250,470 \* 12/1978 Nishigaki ..... D14/136
- D. 338,463 \* 8/1993 Hisatsune ..... D14/156
- D. 377,648 \* 1/1997 Young ..... D14/136
- D. 386,491 \* 11/1997 Masamitsu ..... D14/136
- D. 404,733 \* 1/1999 Crosby ..... D14/167
- D. 406,588 \* 3/1999 Sogabe ..... D14/156

- D. 408,395 \* 4/1999 Sakamoto et al. .... D14/136
- D. 412,504 \* 8/1999 Reink ..... D14/135
- D. 426,538 \* 6/2000 Deguchi ..... D14/156
- D. 429,233 \* 8/2000 Komiyama ..... D14/167
- 5,265,083 \* 11/1993 Ishii et al. .... D69/75.2

\* cited by examiner

*Primary Examiner*—Catherine Tuttle

(74) *Attorney, Agent, or Firm*—Christensen O'Connor Johnson Kindness PLLC

(57) **CLAIM**

The ornamental design for a digital video disc player, as shown and described.

**DESCRIPTION**

FIG. 1 is a perspective view of the front, bottom and right side of a digital video disc player showing my new design; FIG. 2 is a front view thereof; FIG. 3 is a right side view thereof; FIG. 4 is a top plan view thereof; FIG. 5 is a bottom view thereof; FIG. 6 is a rear view thereof; FIG. 7 is a left side view thereof; and, FIG. 8 is a perspective view thereof with the lid in open condition.

**1 Claim, 5 Drawing Sheets**

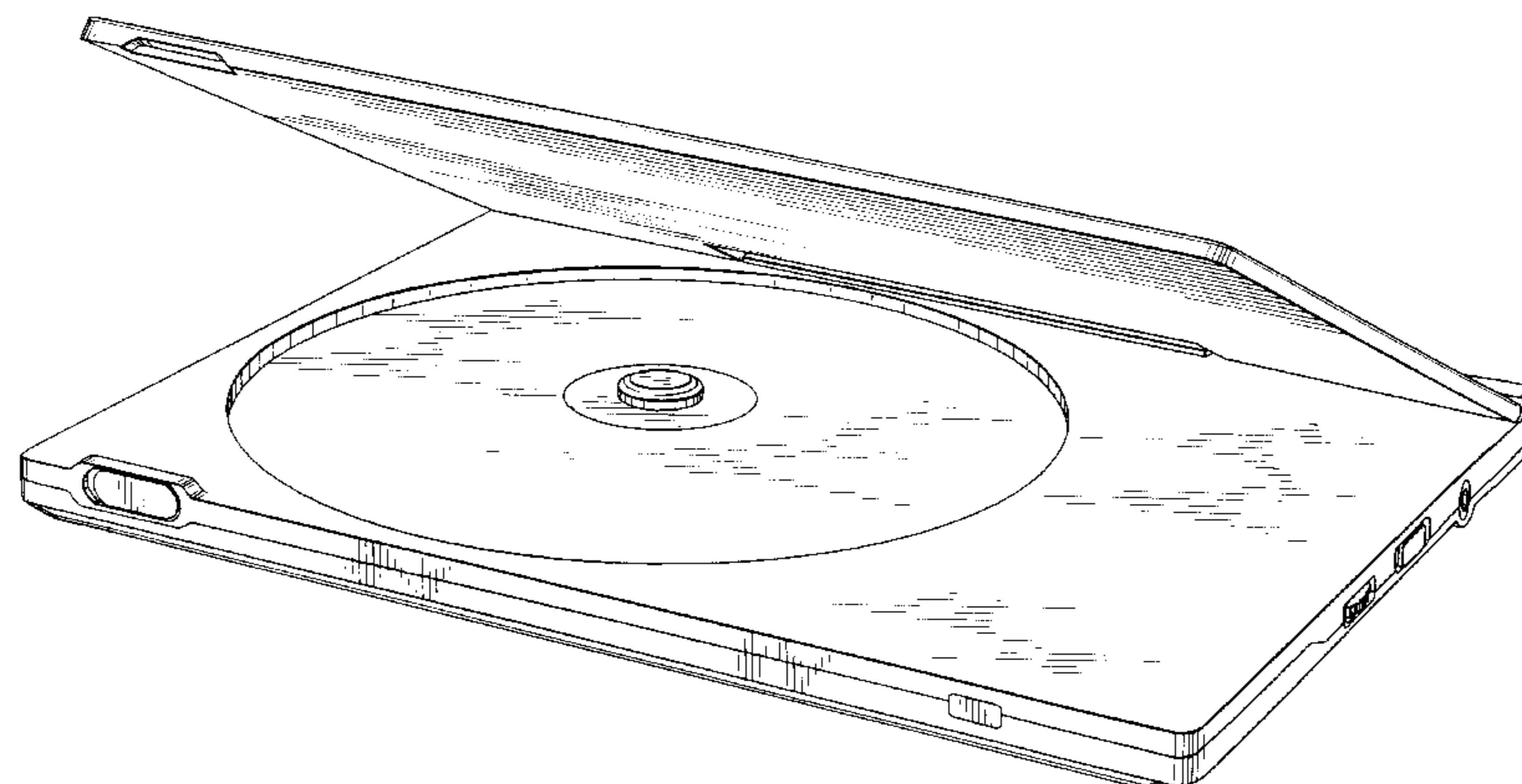
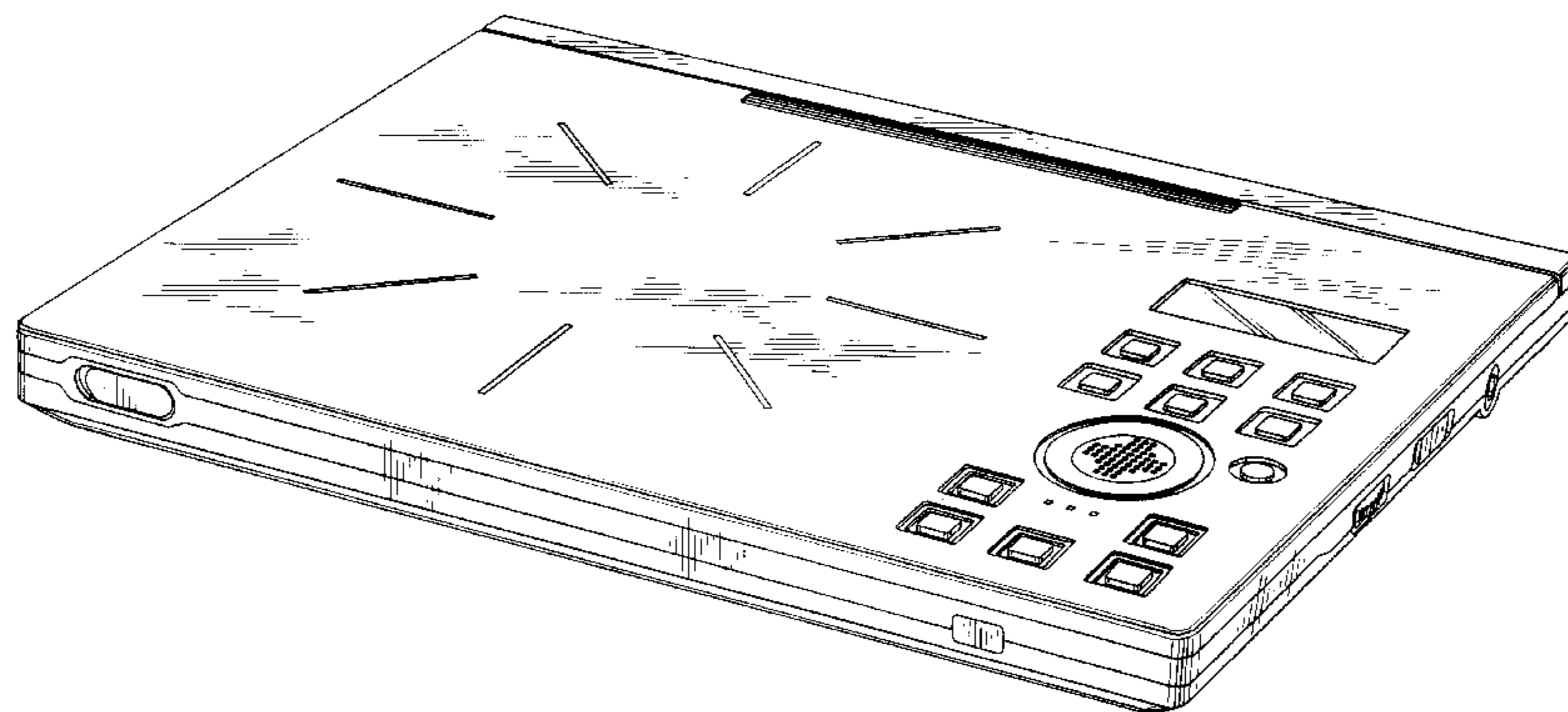


FIG. 1

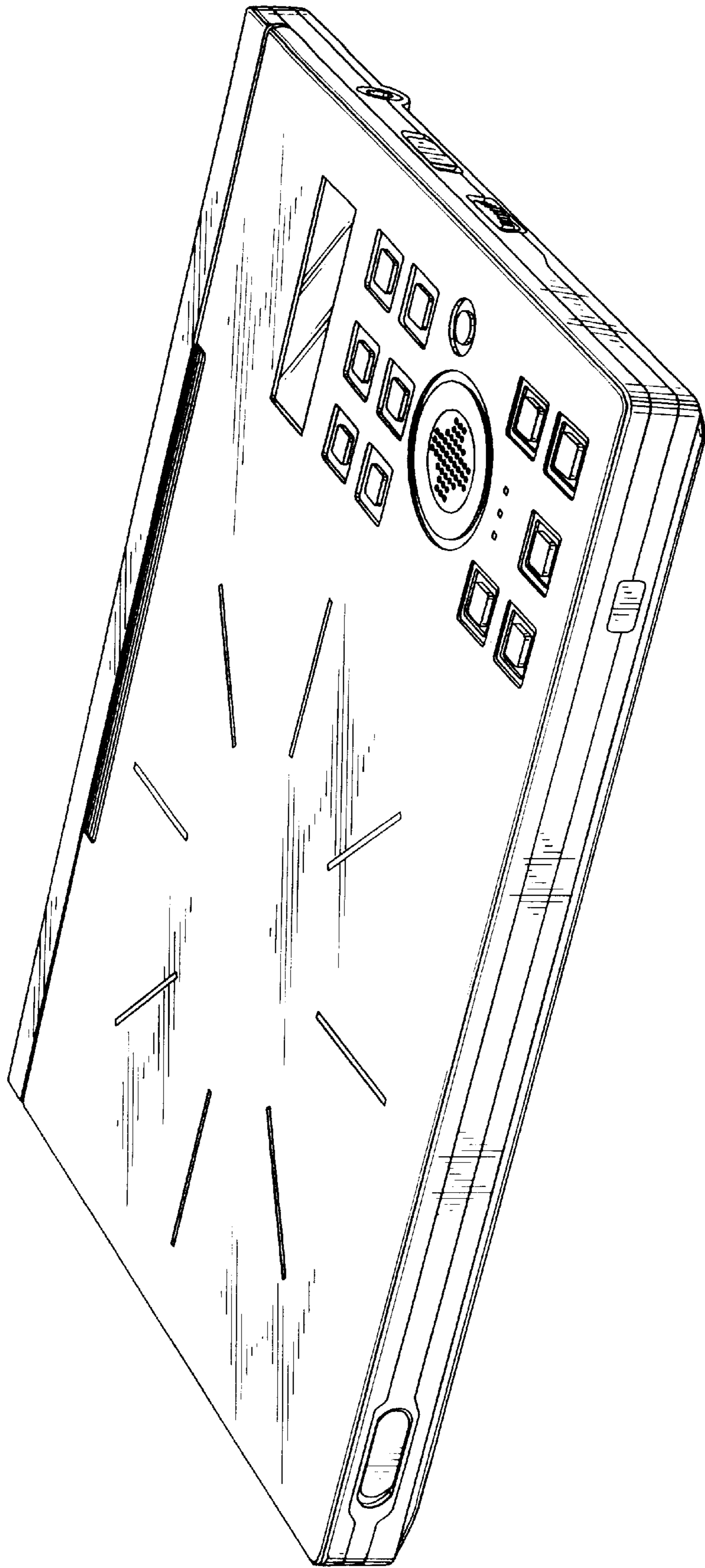


FIG. 3

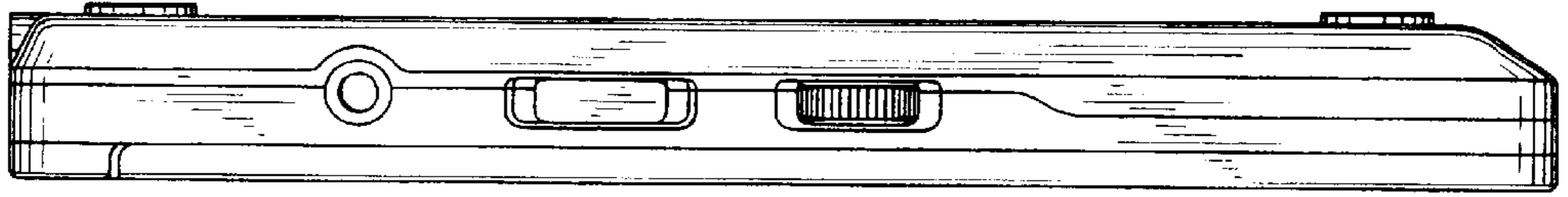
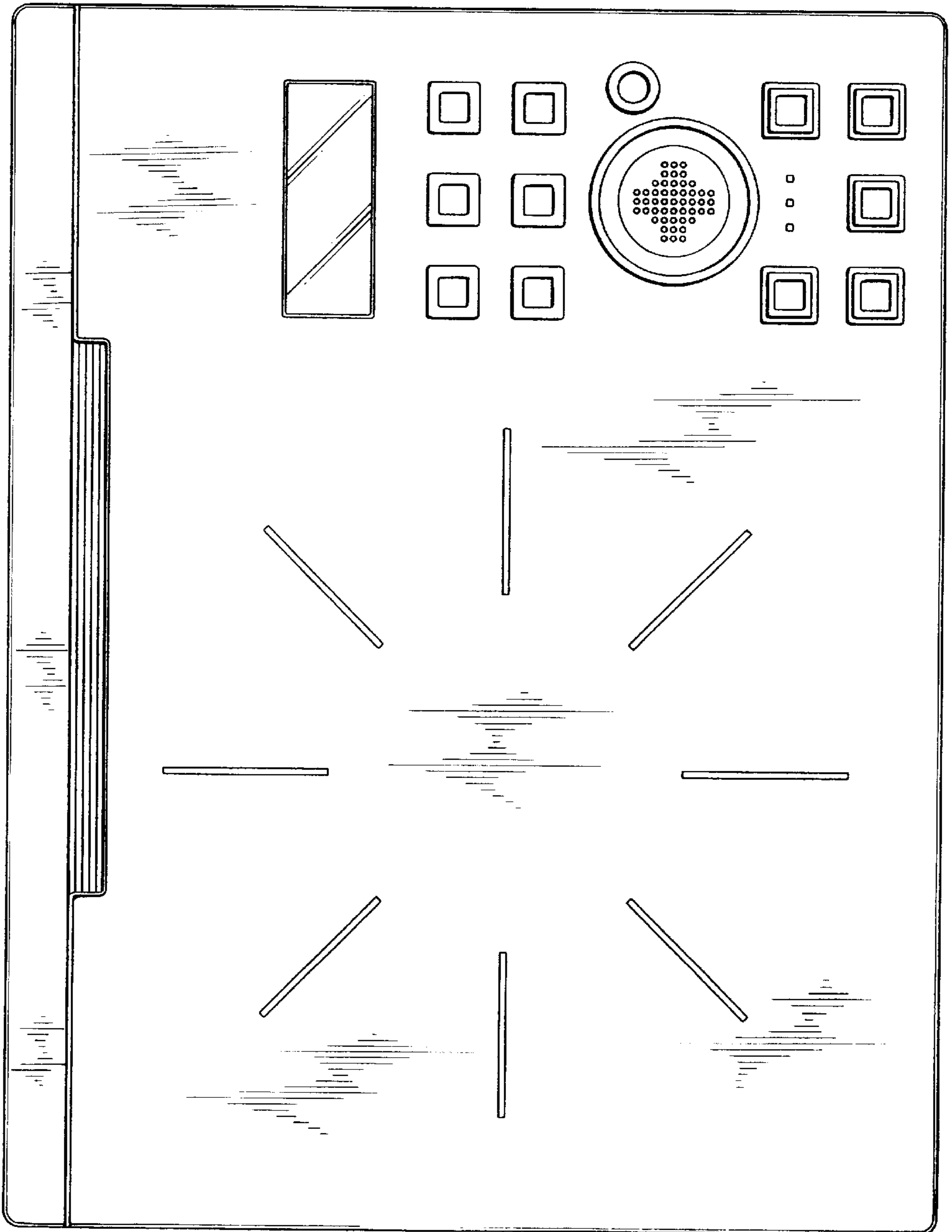
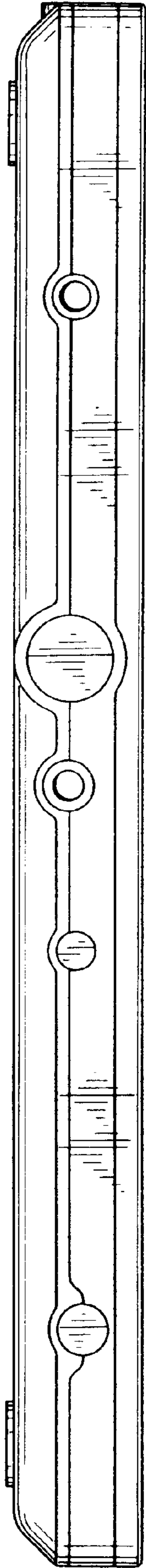


FIG. 2



**FIG. 4**



**FIG. 5**

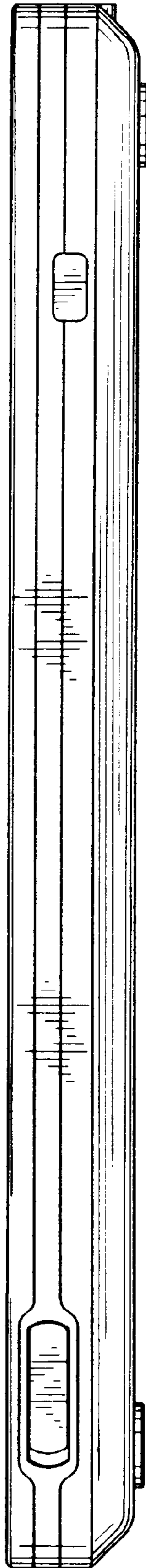




FIG. 7

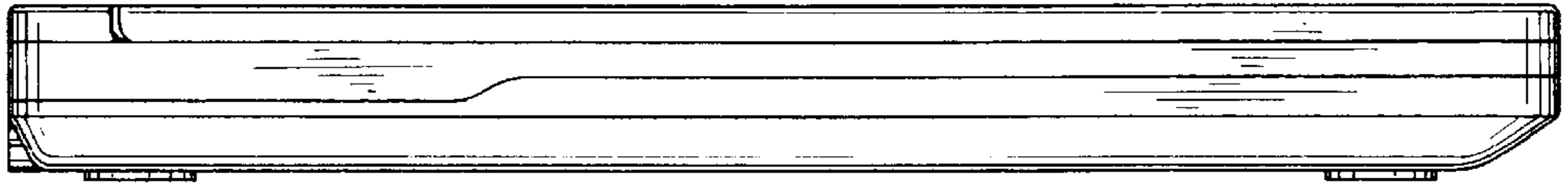


FIG. 6

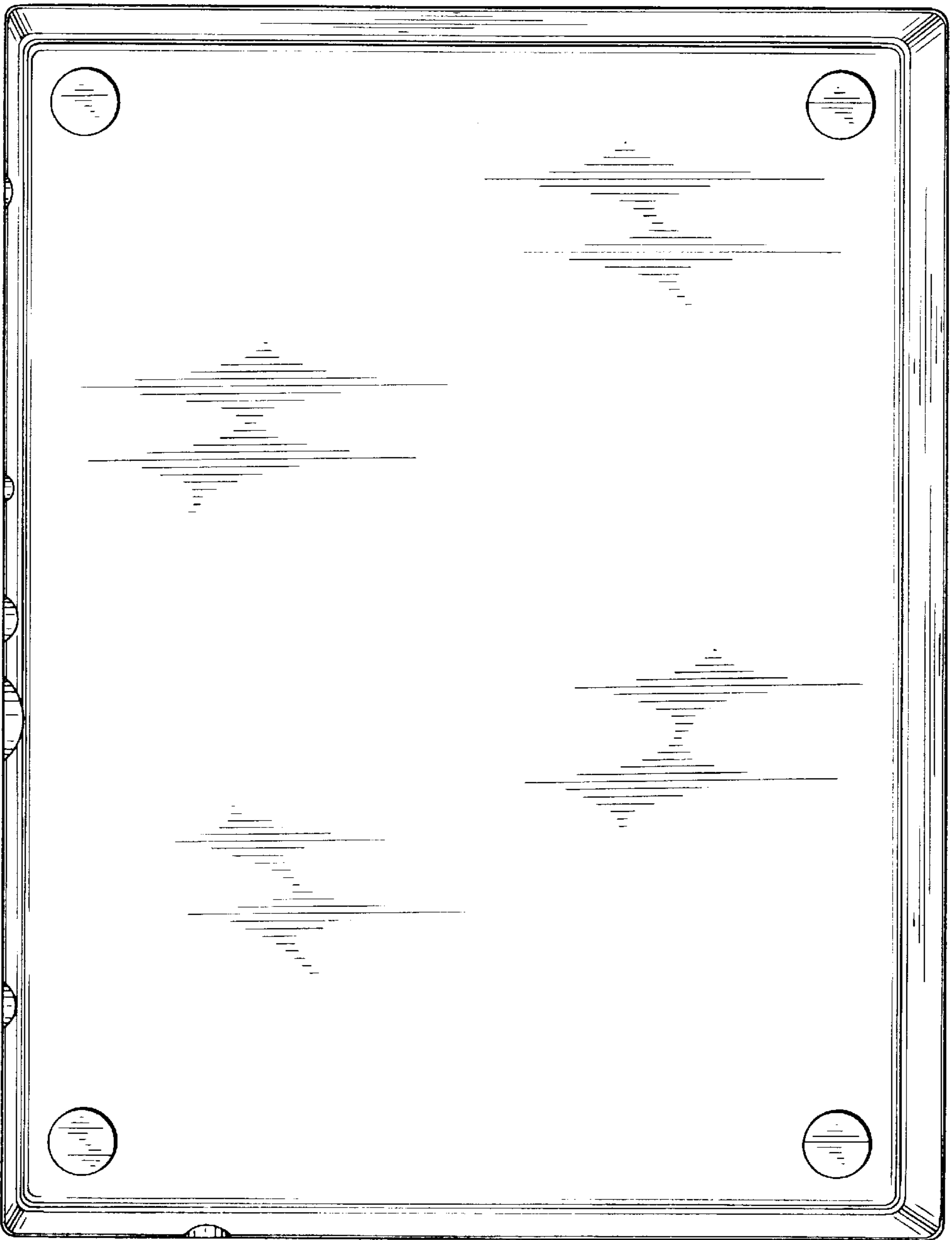
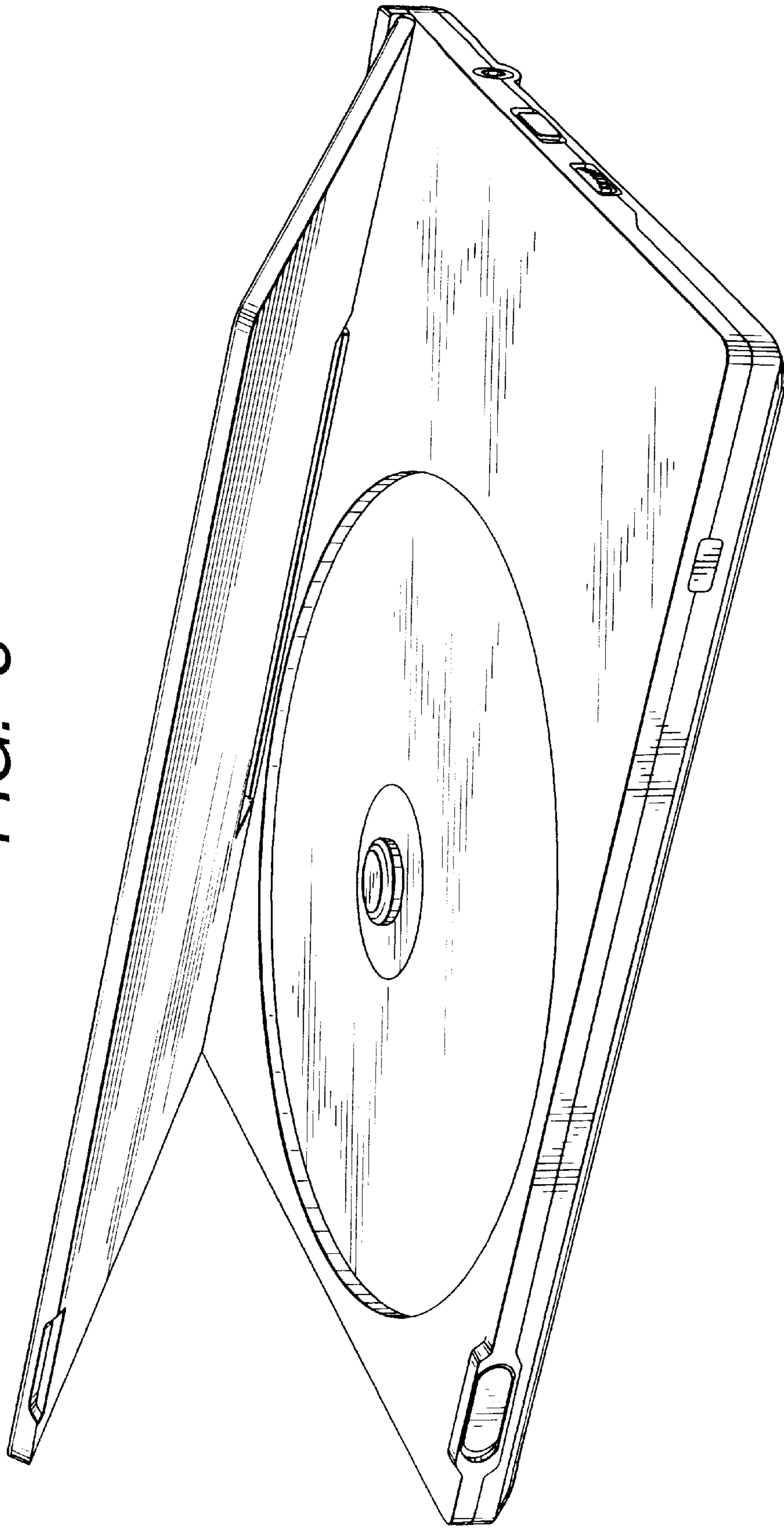


FIG. 8



UNITED STATES PATENT AND TRADEMARK OFFICE  
**CERTIFICATE OF CORRECTION**

PATENT NO. : Des 438,522 S  
DATED : March 6, 2001  
INVENTOR(S) : T. Yoshiyama

Page 1 of 1

It is certified that error appears in the above-identified patent and that said Letters Patent is hereby corrected as shown below:

Column 2, Item [56].

Refs. Cited (U.S. Pats. Item 8), "Reink" should read -- Renk --

Refs. Cited (Other Publs.), -- OTHER PUBLICATIONS Pioneer, PDV-10 "Portable DVD Player" catalog, May 1999, p. 5. --

Signed and Sealed this

Sixth Day of November, 2001

*Attest:*

*Nicholas P. Godici*

*Attesting Officer*

NICHOLAS P. GODICI  
*Acting Director of the United States Patent and Trademark Office*