



US00D438515S

(12) **United States Design Patent**
Yokoyama et al.

(10) **Patent No.:** **US D438,515 S**

(45) **Date of Patent:** **** Mar. 6, 2001**

(54) **PORTION OF HEAT SINK**

5,718,259 2/1998 Miyake et al. .

5,785,116 * 7/1998 Wagner 165/80.3

5,794,685 * 8/1998 Dean 165/80.3 X

(75) Inventors: **Hisashi Yokoyama; Takeshi Ikai;**
Yasuhiko Kato; Toshihiko Miyake, all
of Tokyo (JP)

* cited by examiner

(73) Assignee: **Mitsubishi Denki Kabushiki Kaisha**,
Tokyo (JP)

Primary Examiner—Brian N. Vinson

(74) *Attorney, Agent, or Firm*—Oblon, Spivak, McClelland,
Maier & Neustadt, P.C.

(**) Term: **14 Years**

(57) **CLAIM**

(21) Appl. No.: **29/119,825**

The ornamental design for a portion of heat sink, as shown
and described.

(22) Filed: **Mar. 9, 2000**

DESCRIPTION

(30) **Foreign Application Priority Data**

Sep. 20, 1999 (JP) 11-25323

(51) **LOC (7) Cl.** **13-03**

(52) **U.S. Cl.** **D13/179**

(58) **Field of Search** D13/179; 361/688,
361/690, 692, 693, 694, 696, 697, 703,
709; 165/80.3, 185

FIG. 1 is a front, top and right side perspective view of a
portion of heat sink showing our new design;

FIG. 2 is a front elevational view thereof, the rear elevational
view being symmetrical with that shown;

FIG. 3 is a right side elevational view thereof, the left side
being symmetrical with that shown;

FIG. 4 is a top plan view thereof;

FIG. 5 is a bottom plan view thereof; and,

FIG. 6 is an enlarged cross-sectional view thereof, taken
along line 6—6 of FIG. 2.

The broken-line disclosure in the views is for illustrative
purposes only and forms no part of the claimed design.

(56) **References Cited**

U.S. PATENT DOCUMENTS

D. 428,857 * 8/2000 Wagner et al. D13/179

4,715,438 * 12/1987 Gabuzda et al. 165/185

5,680,880 10/1997 Miyake et al. .

1 Claim, 2 Drawing Sheets

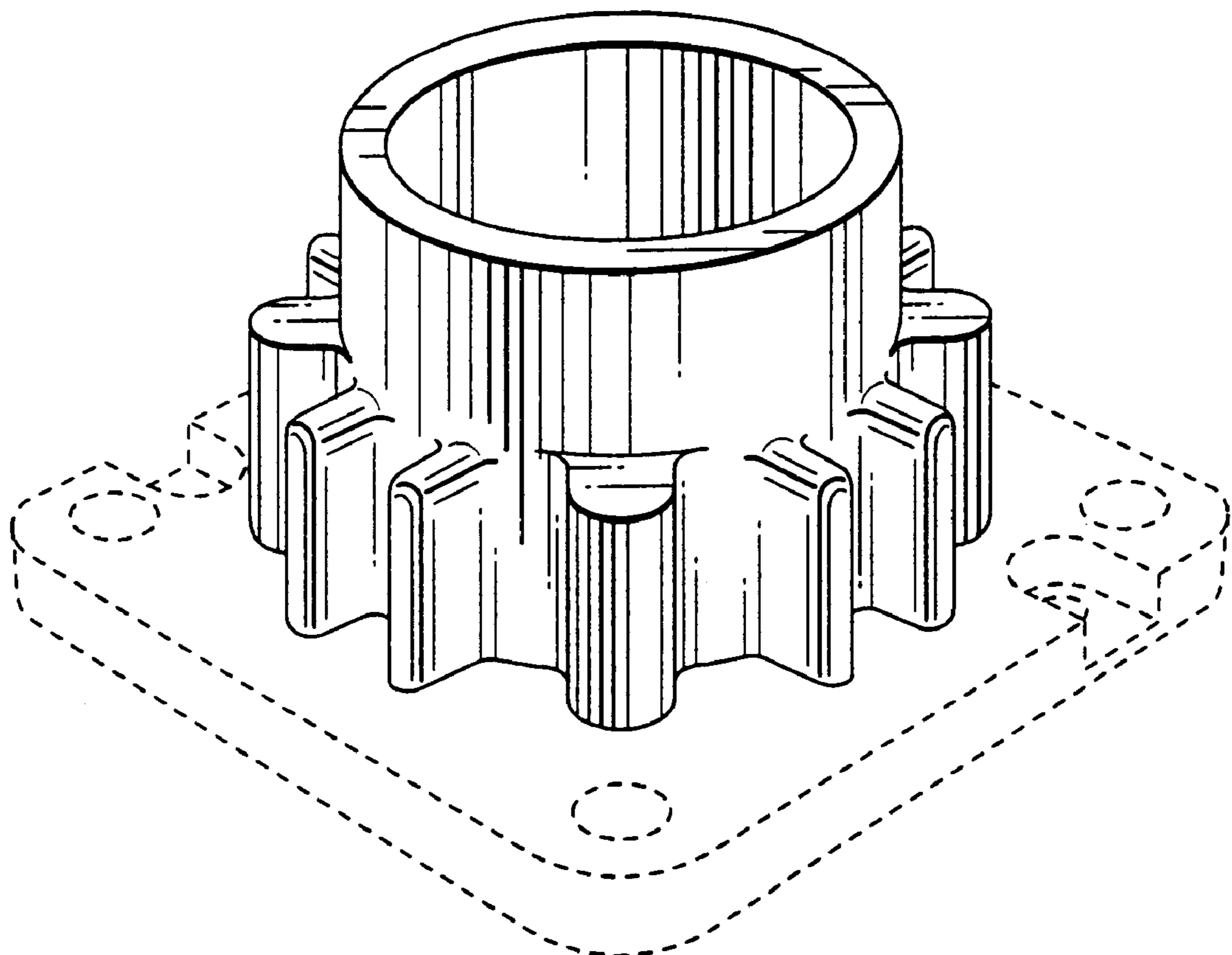


FIG. 1

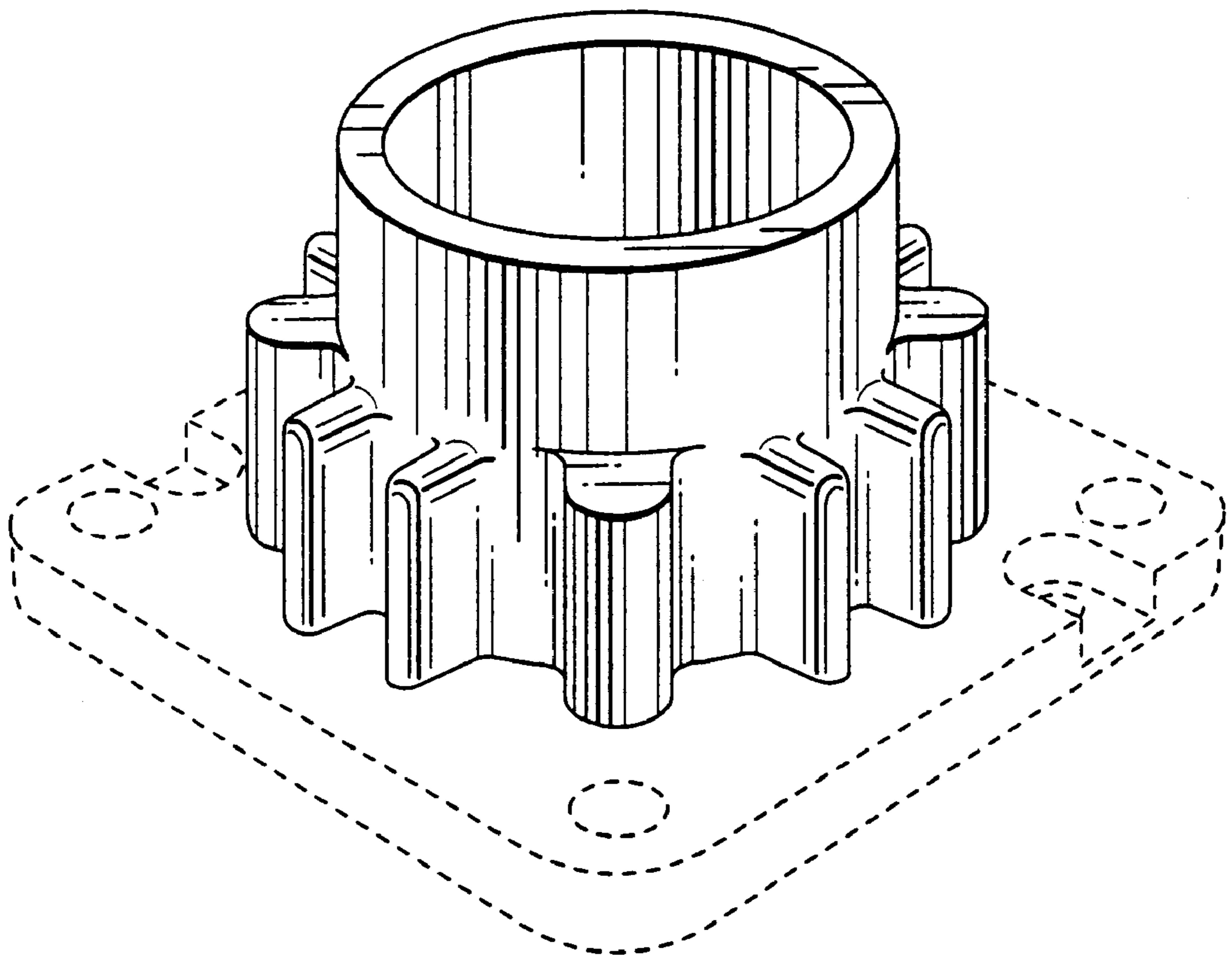


FIG.2

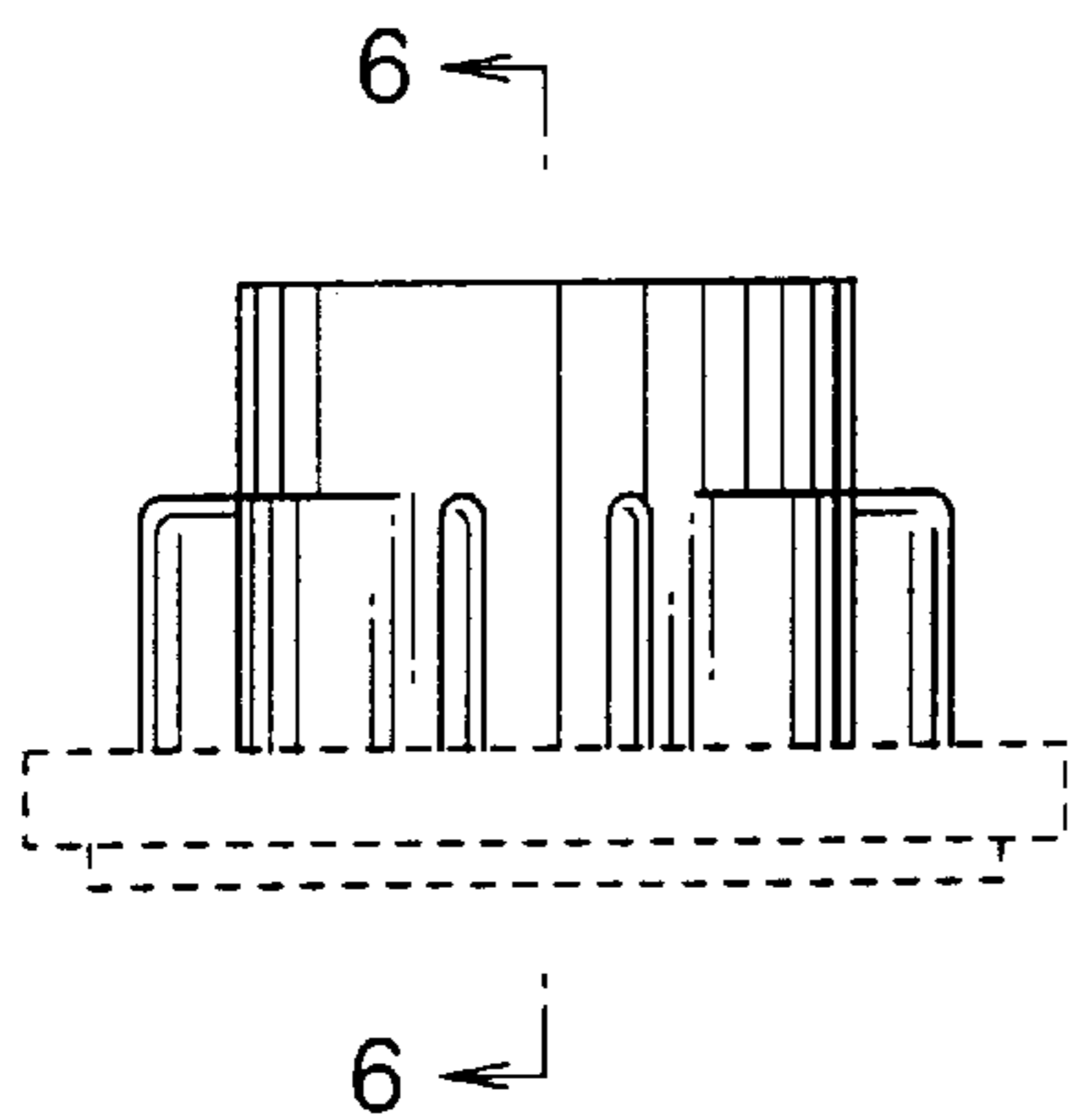


FIG.3

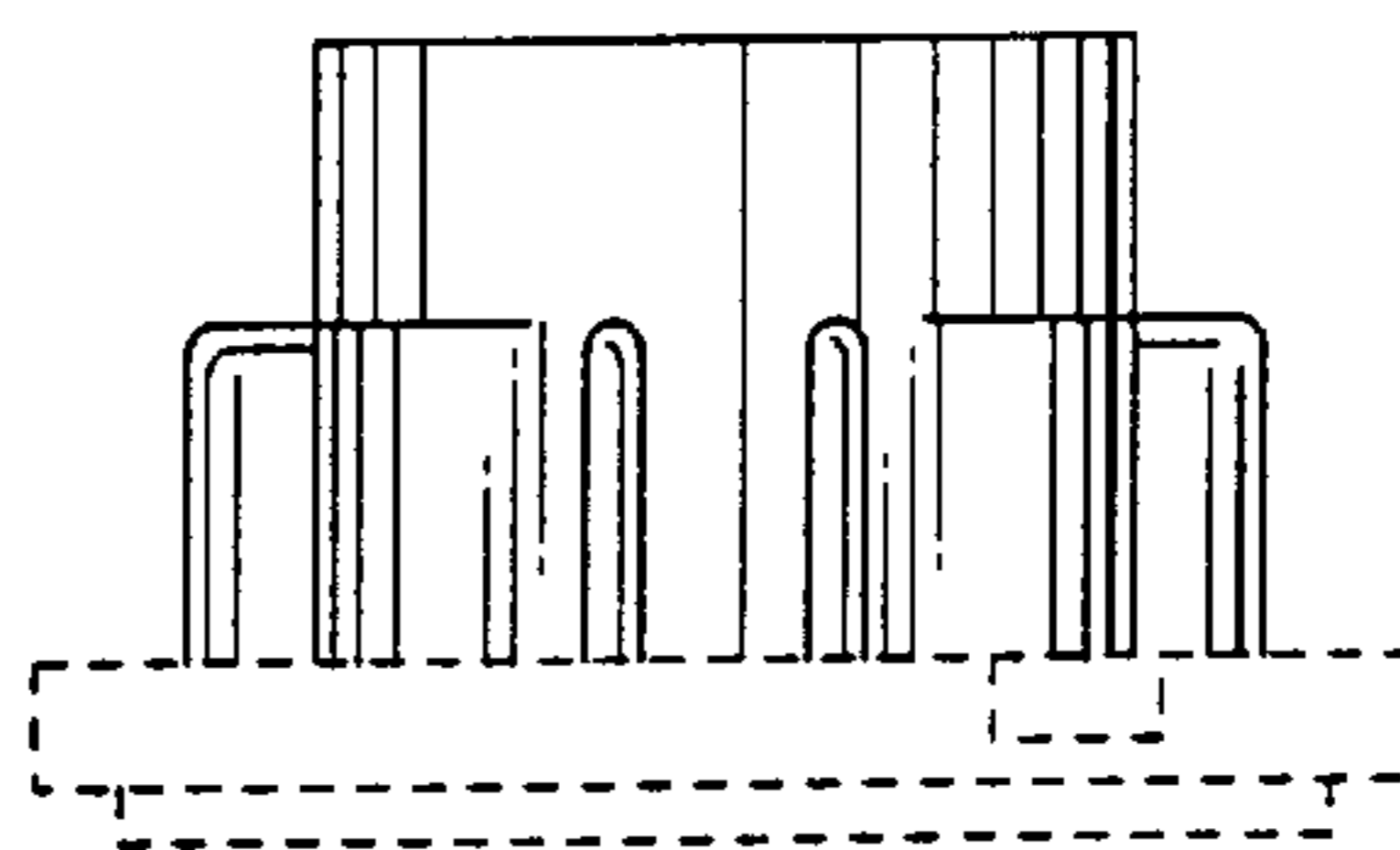


FIG.4

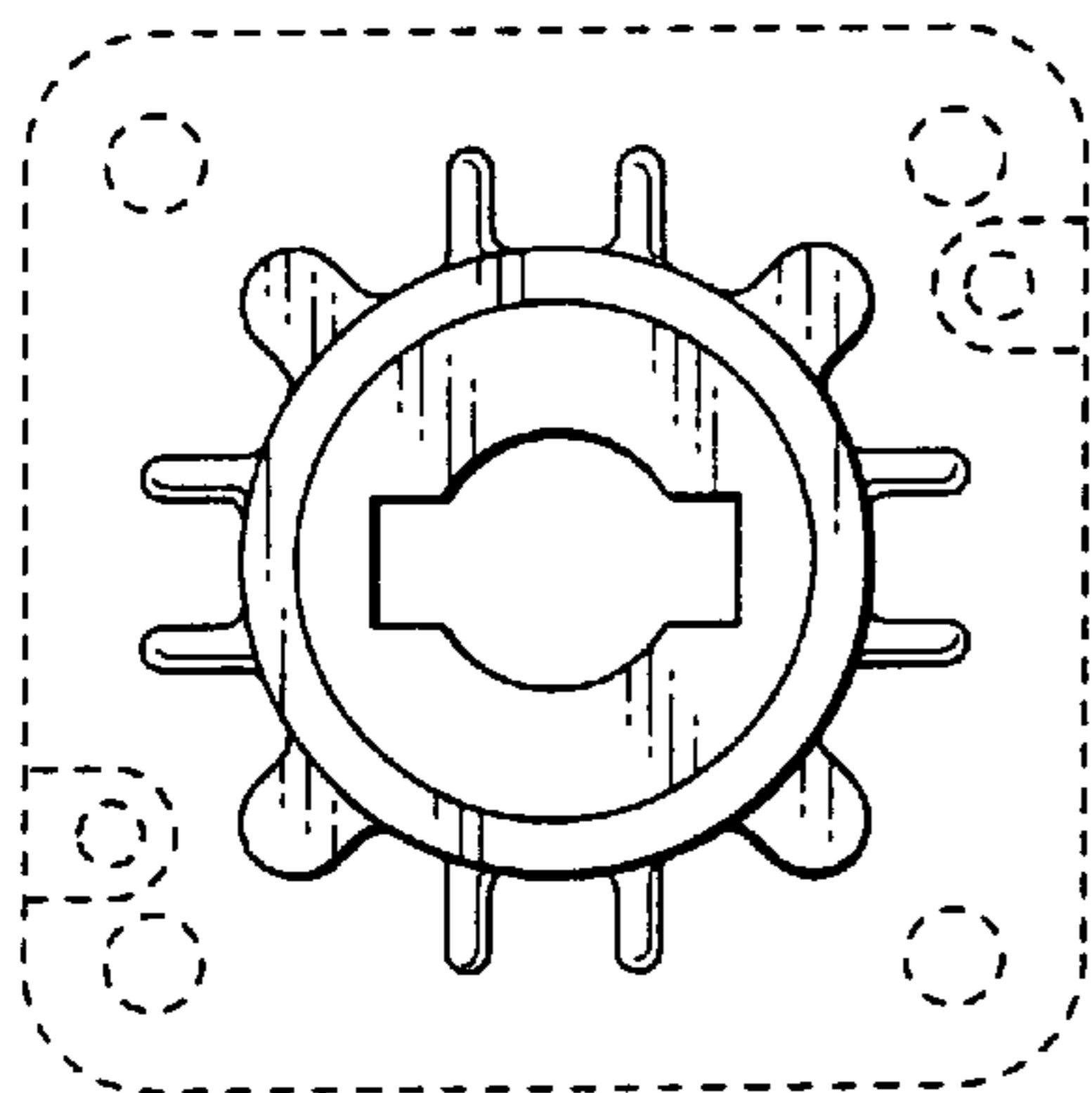


FIG.5

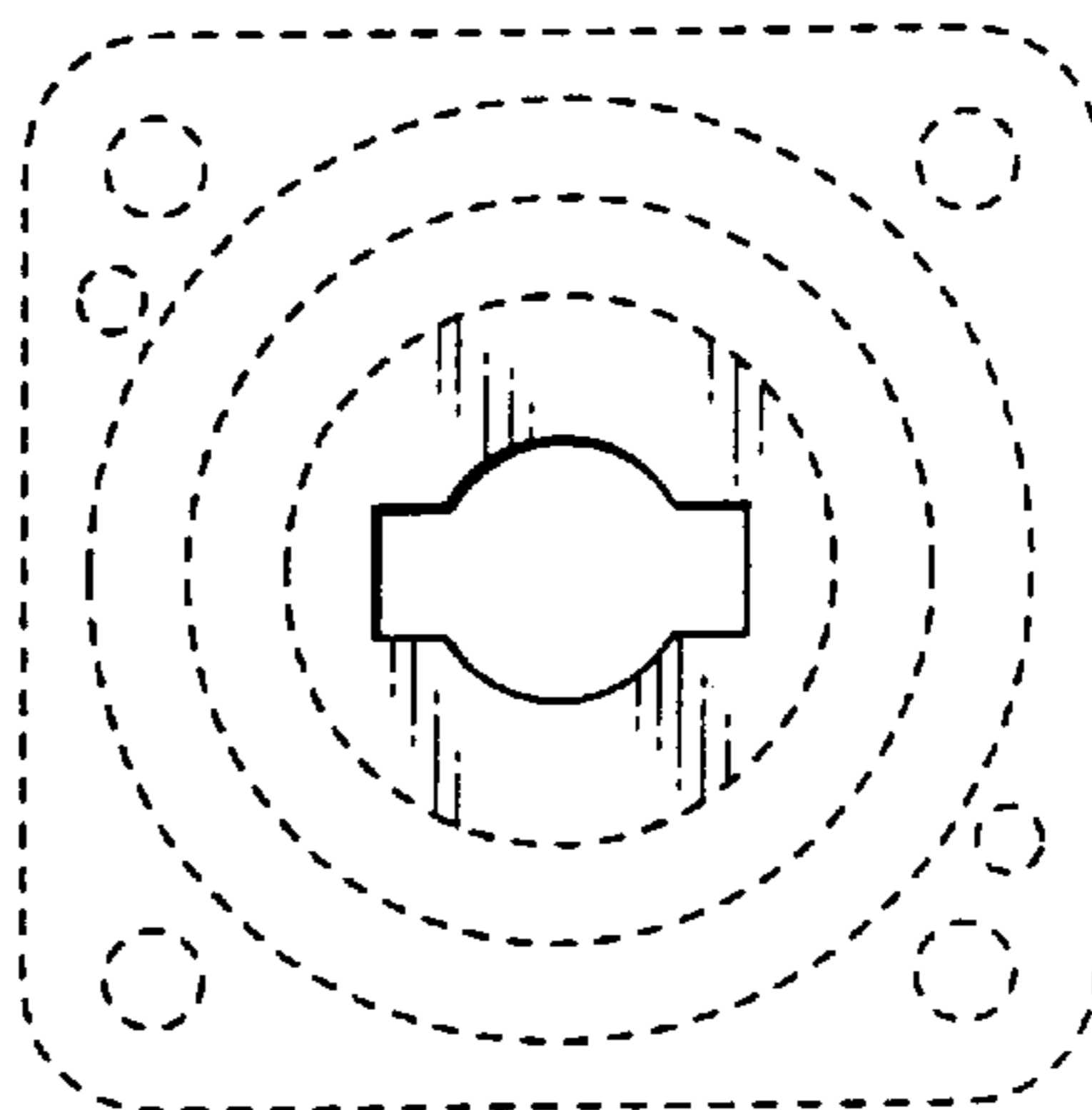


FIG.6

