



US00D438514S

(12) **United States Design Patent**
Howard

(10) **Patent No.:** **US D438,514 S**

(45) **Date of Patent:** **** Mar. 6, 2001**

(54) **COMBINATION LIGHT SWITCH, CLOCK AND DATE INDICATOR**

Primary Examiner—Brian N. Vinson

(76) **Inventor:** **Martella Howard**, 3704 Ladd Ave.,
Fort Washington, MD (US) 20744

(57) **CLAIM**

The ornamental design for a combination light switch, clock and date indicator, as shown and described.

(**) **Term:** **14 Years**

DESCRIPTION

(21) **Appl. No.:** **29/113,902**

FIG. 1 is a front elevational view of the combination light switch, clock and date indicator of the present invention; FIG. 2 is a rear elevational view of the combination light switch, clock and date indicator of FIG. 1; FIG. 3 is a left side elevational view of the combination light switch, clock and date indicator of FIG. 1; FIG. 4 is a right side elevational view of the combination light switch, clock and date indicator of FIG. 1; FIG. 5 is a top plan view of the combination light switch, clock and date indicator of FIG. 1; and, FIG. 6 is a bottom plan view of the combination light switch, clock and date indicator of FIG. 1.

(22) **Filed:** **Nov. 12, 1999**

(51) **LOC (7) Cl.** **13-03**

(52) **U.S. Cl.** **D13/169**

(58) **Field of Search** D13/169, 158,
D13/162, 174, 177; 174/50, 53, 66; D10/52;
362/95

The broken lines showing of numbers and letters in FIGS. 1, 7 and 8 are for illustrative purposes only and form no part of the claimed design.

(56) **References Cited**

U.S. PATENT DOCUMENTS

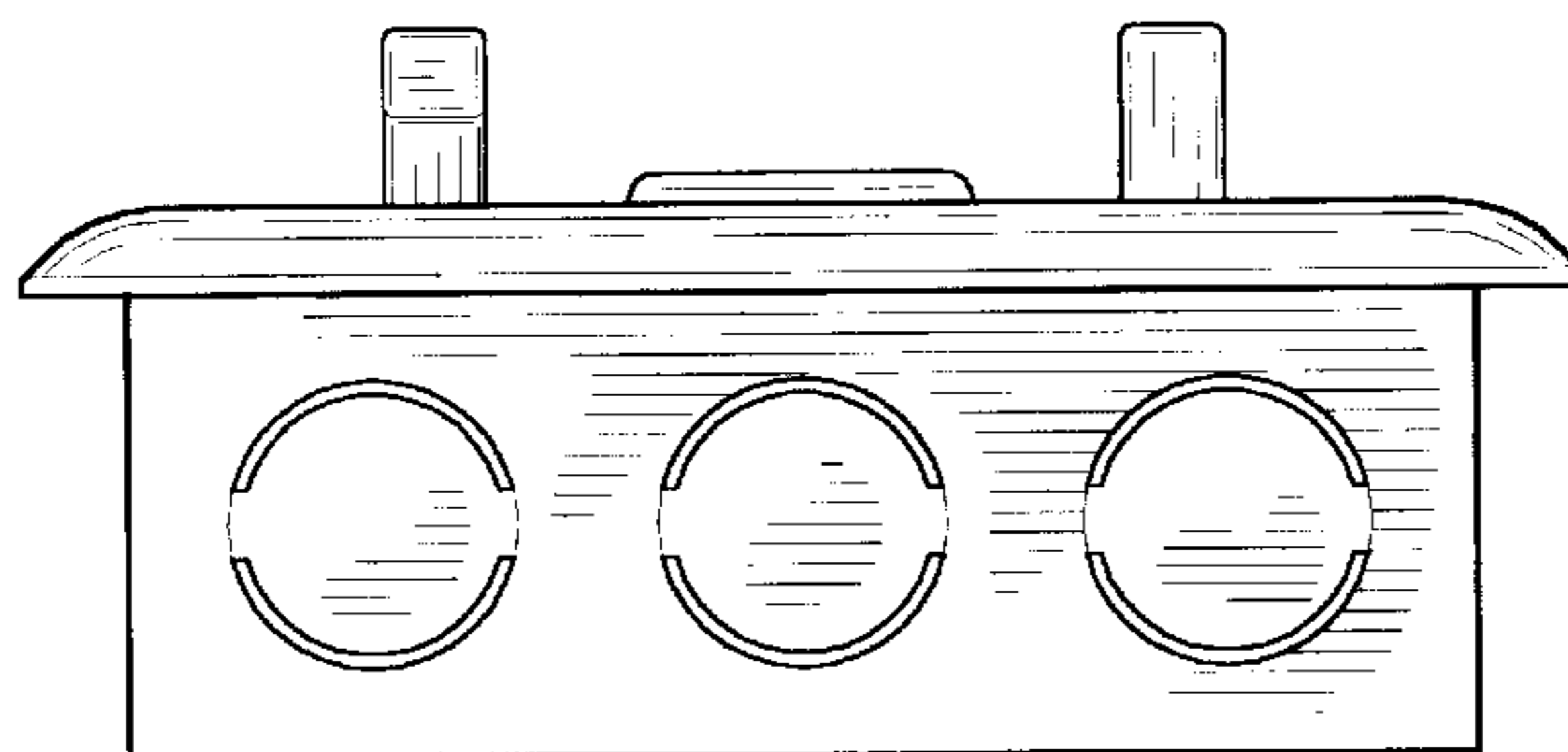
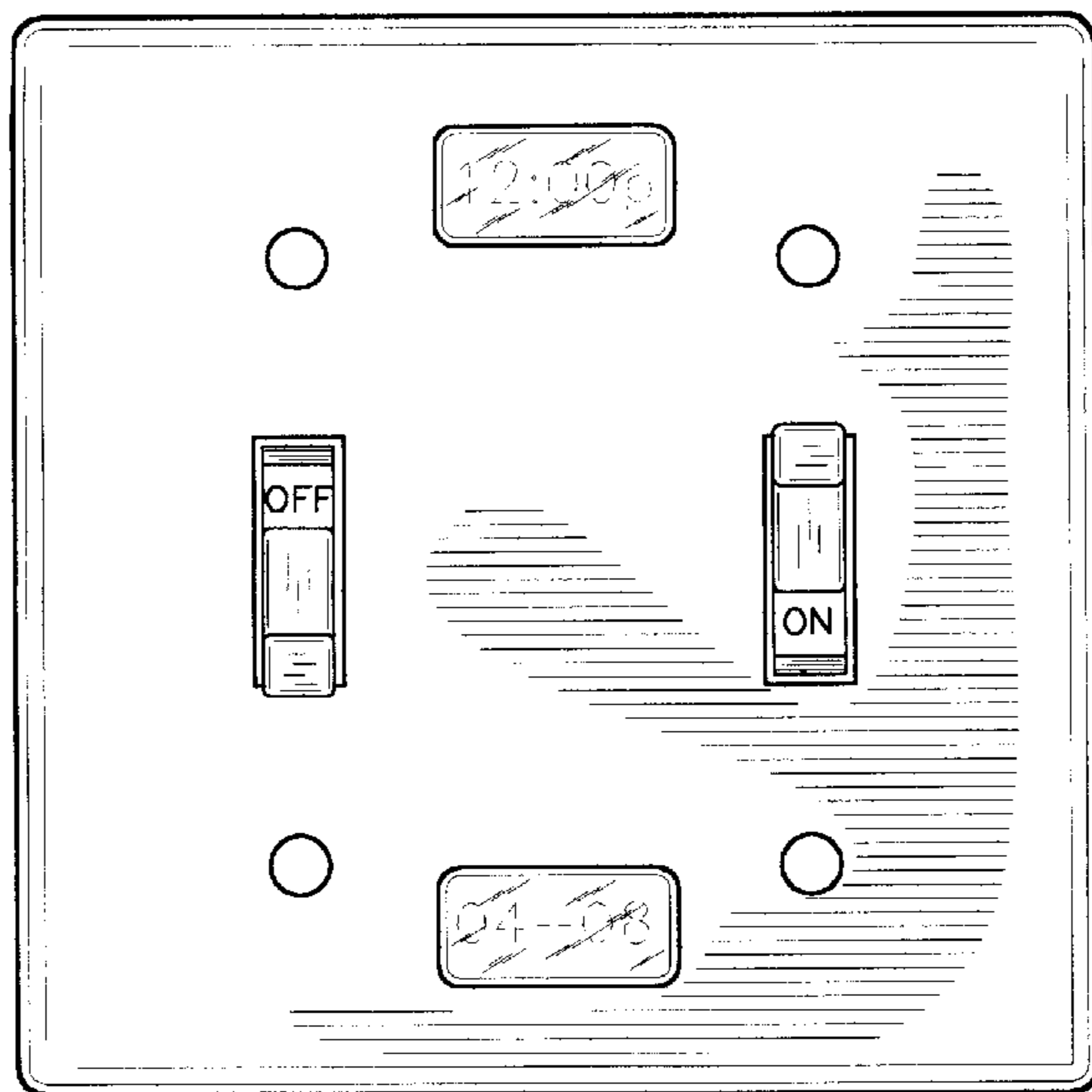
D. 310,814 * 9/1990 Rosenbaum et al. D13/158

D. 407,072 * 3/1999 Gaule D13/177

3,432,611 * 3/1969 Gaines et al. 174/66

* cited by examiner

1 Claim, 2 Drawing Sheets



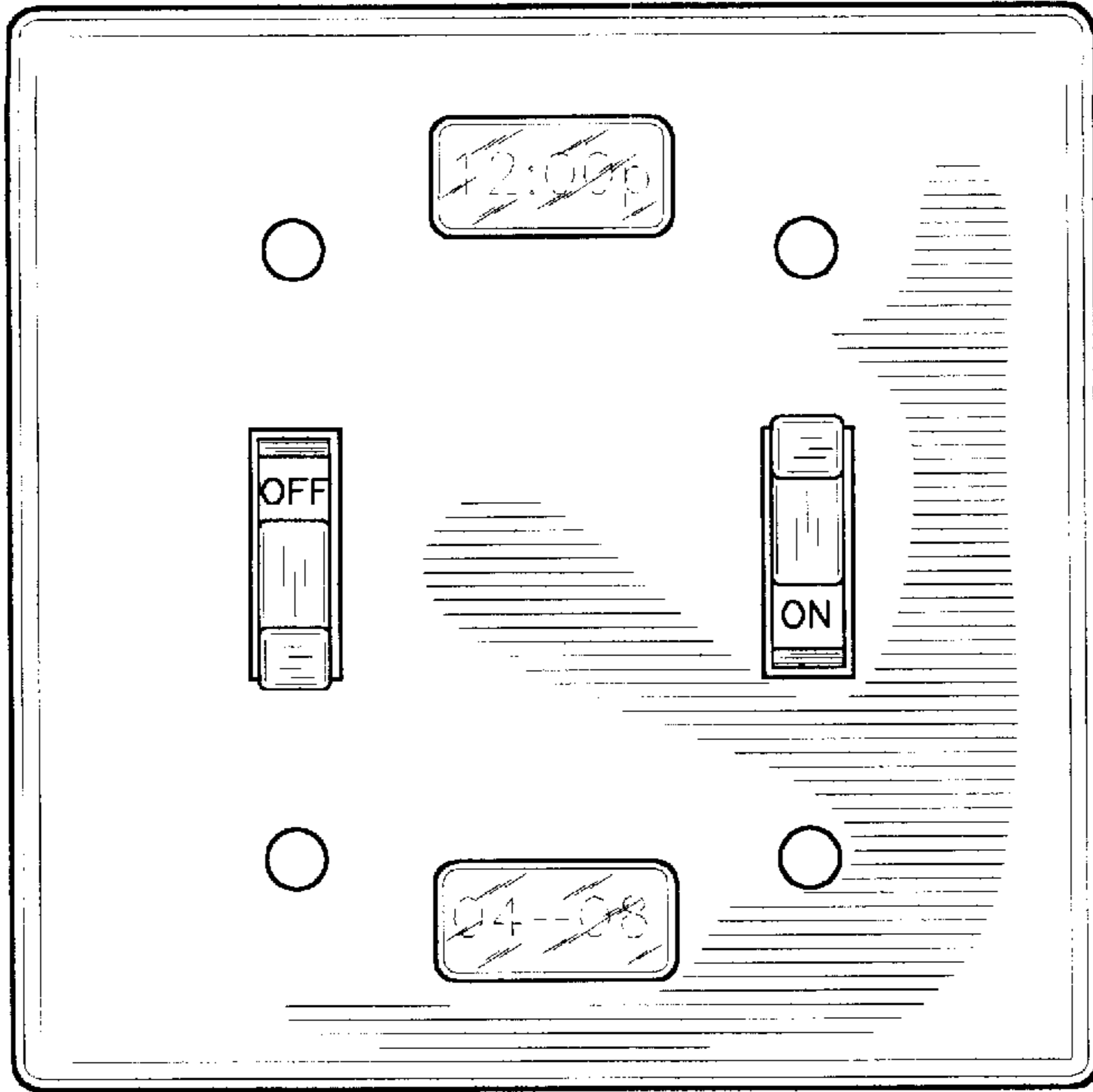


Fig. 1

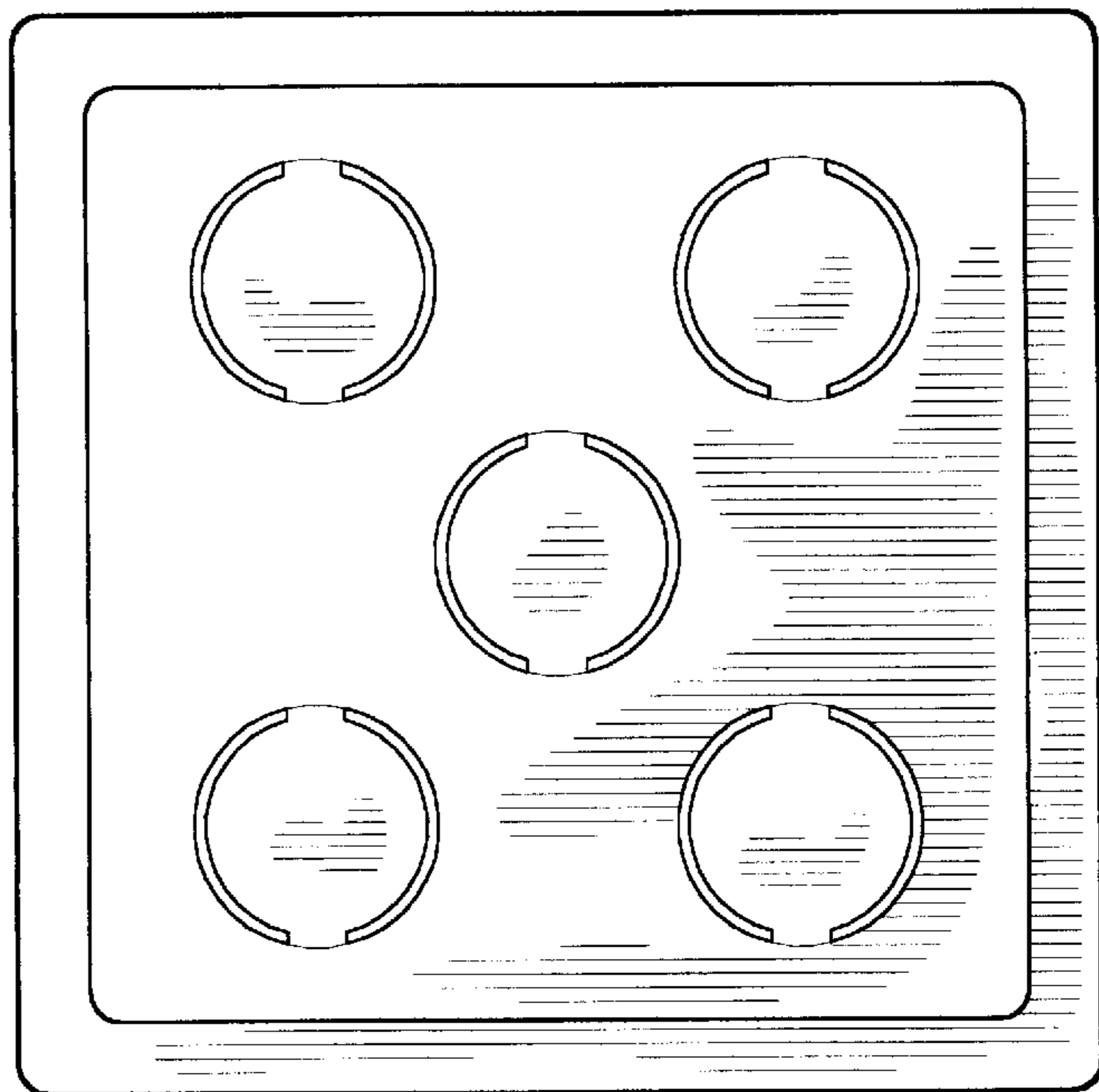


Fig. 2

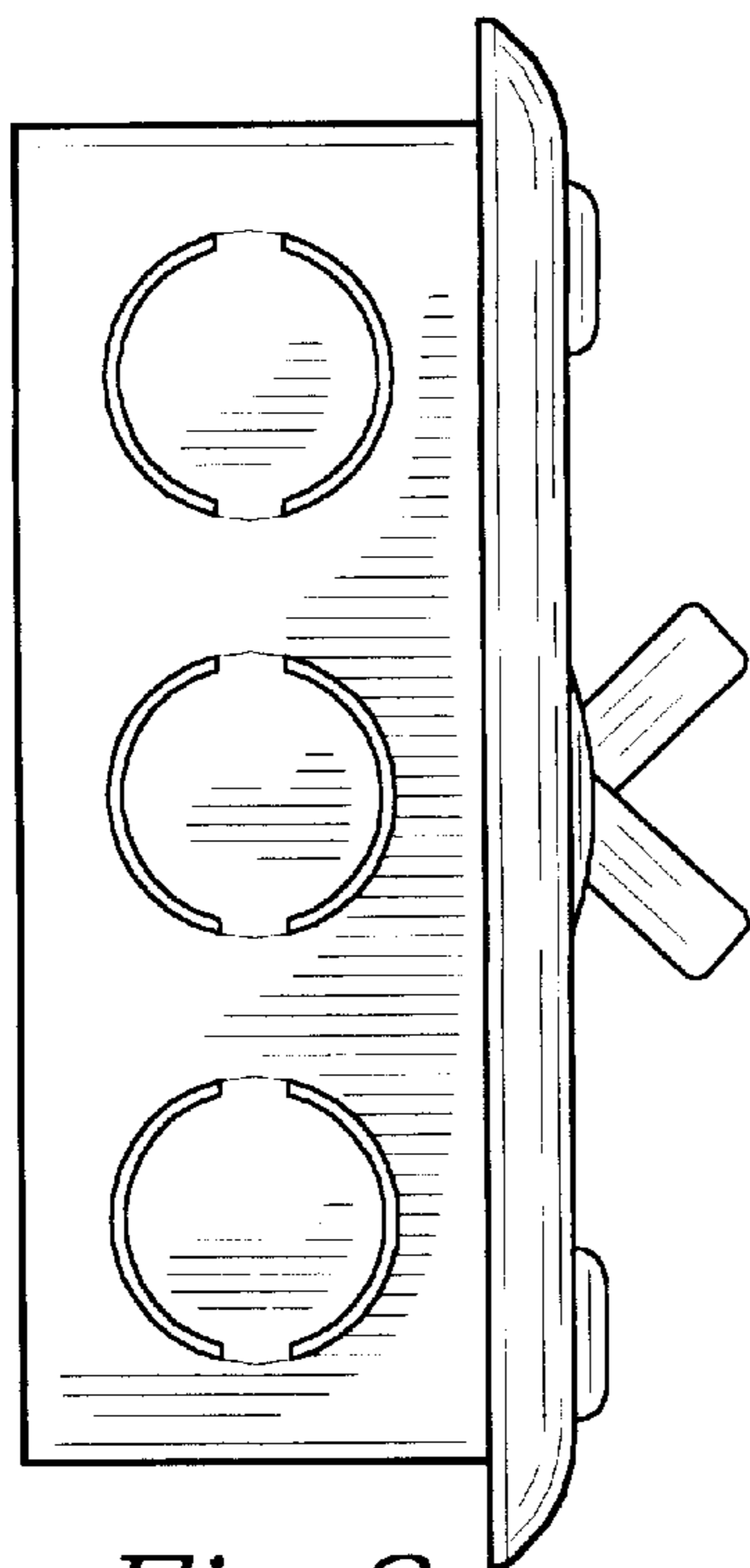


Fig. 3

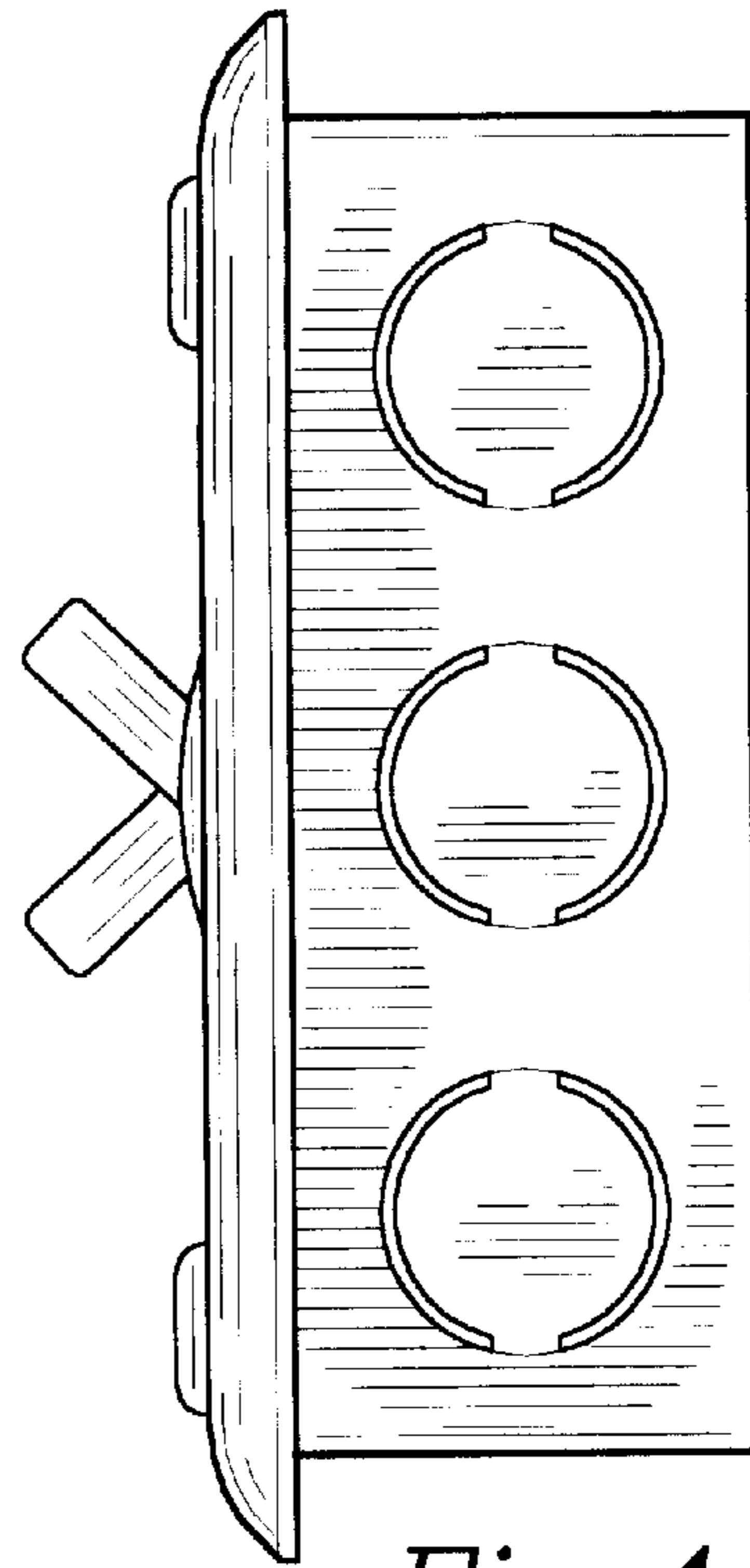


Fig. 4

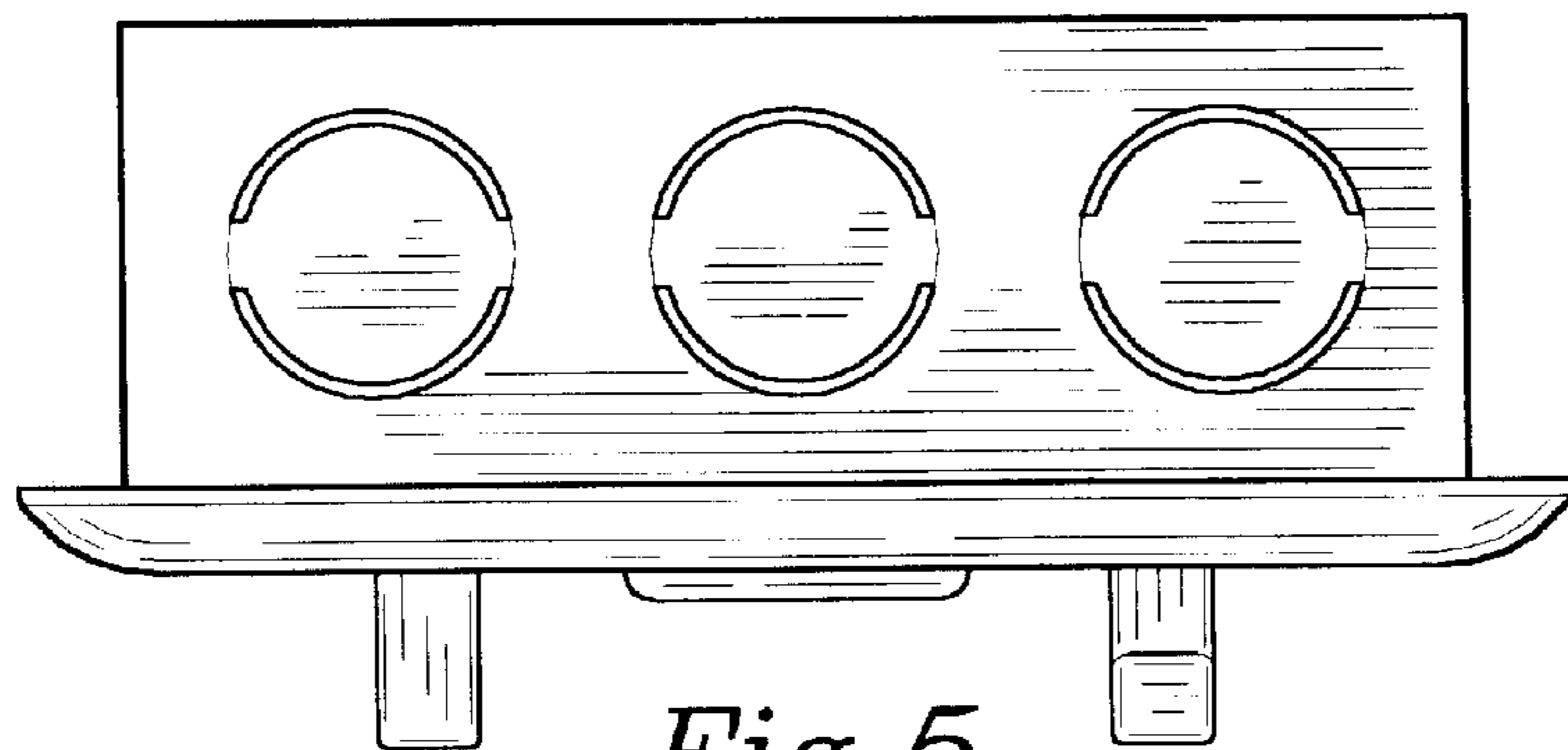


Fig. 5

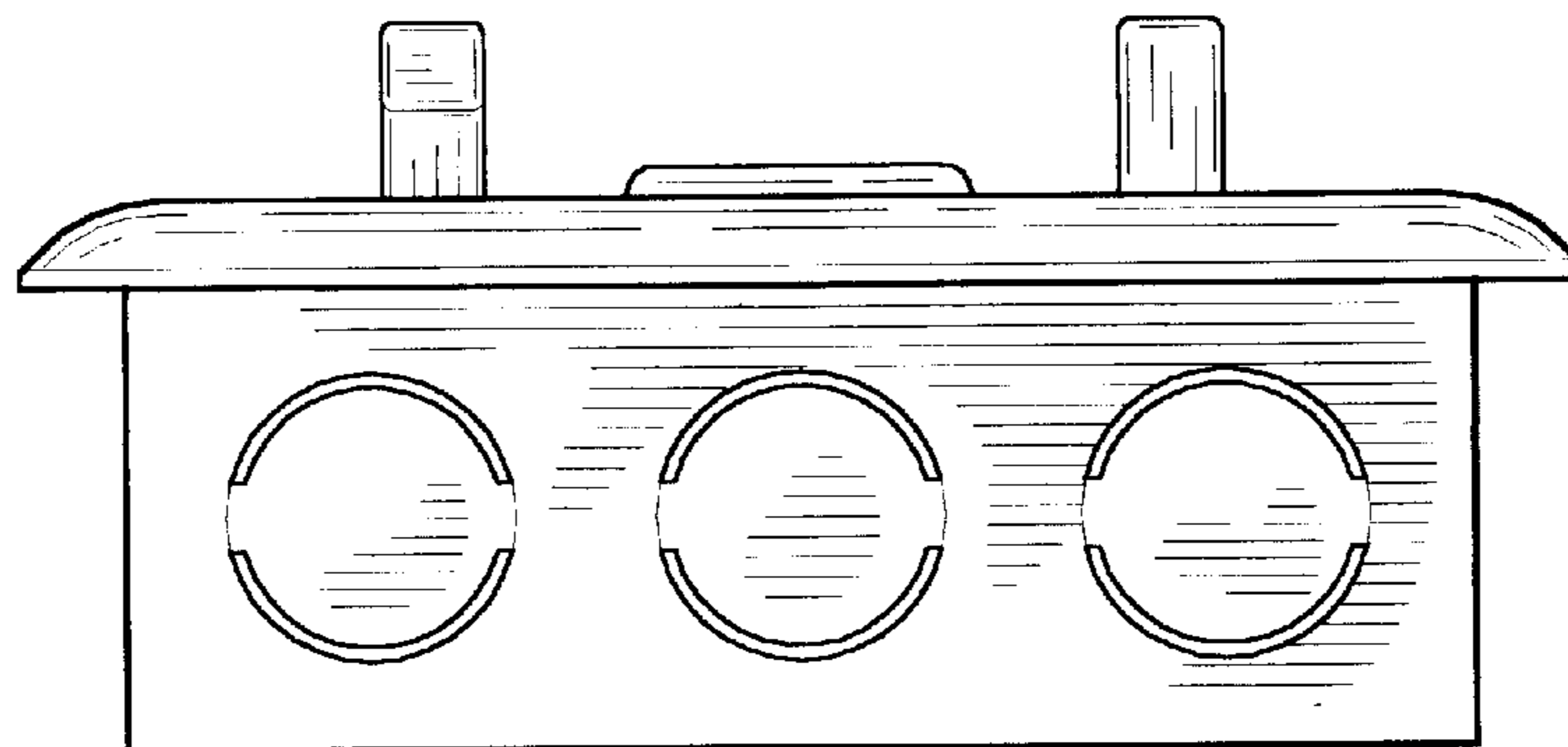


Fig. 6