



US00D438512S

(12) **United States Design Patent**
Nishio et al.

(10) **Patent No.:** **US D438,512 S**

(45) **Date of Patent:** **** Mar. 6, 2001**

(54) **ELECTRIC CONNECTOR**

(75) Inventors: **Atsushi Nishio; Yoshikazu Abe**, both
of Ibaraki (JP)

(73) Assignee: **Mitsumi Electric Co., Ltd.**, Tokyo (JP)

(**) Term: **14 Years**

(21) Appl. No.: **29/092,099**

(22) Filed: **Aug. 12, 1998**

(30) **Foreign Application Priority Data**

Feb. 20, 1998 (JP) 10-4544

(51) **LOC (7) Cl.** **13-03**

(52) **U.S. Cl.** **D13/147**

(58) **Field of Search** D13/147; 439/65;
361/683, 684, 737

(56) **References Cited**

U.S. PATENT DOCUMENTS

- D. 336,746 * 6/1993 Tse D14/114
- D. 354,732 * 1/1995 Oliver et al. D13/147
- D. 354,940 * 1/1995 Speiser et al. D13/133
- D. 422,968 * 4/2000 Tsai et al. D13/147

- 4,573,753 * 3/1986 Vogl 439/65
- 4,745,524 * 5/1988 Patton, III 361/683
- 5,162,675 * 11/1992 Olsen et al. 326/37
- 5,576,935 * 11/1996 Freer et al. 439/65 X
- 5,818,426 * 10/1998 Tierney et al. 345/161

* cited by examiner

Primary Examiner—Joel Sincavage

(74) *Attorney, Agent, or Firm*—R. William Beard, Jr.;
Frohwitter

(57) **CLAIM**

The ornamental design for an electric connector, as shown
and described.

DESCRIPTION

FIG. 1 is a front view of an electric connector showing our
new design,

FIG. 2 is a rear view thereof,

FIG. 3 is a top plan view thereof,

FIG. 4 is a bottom plan view thereof,

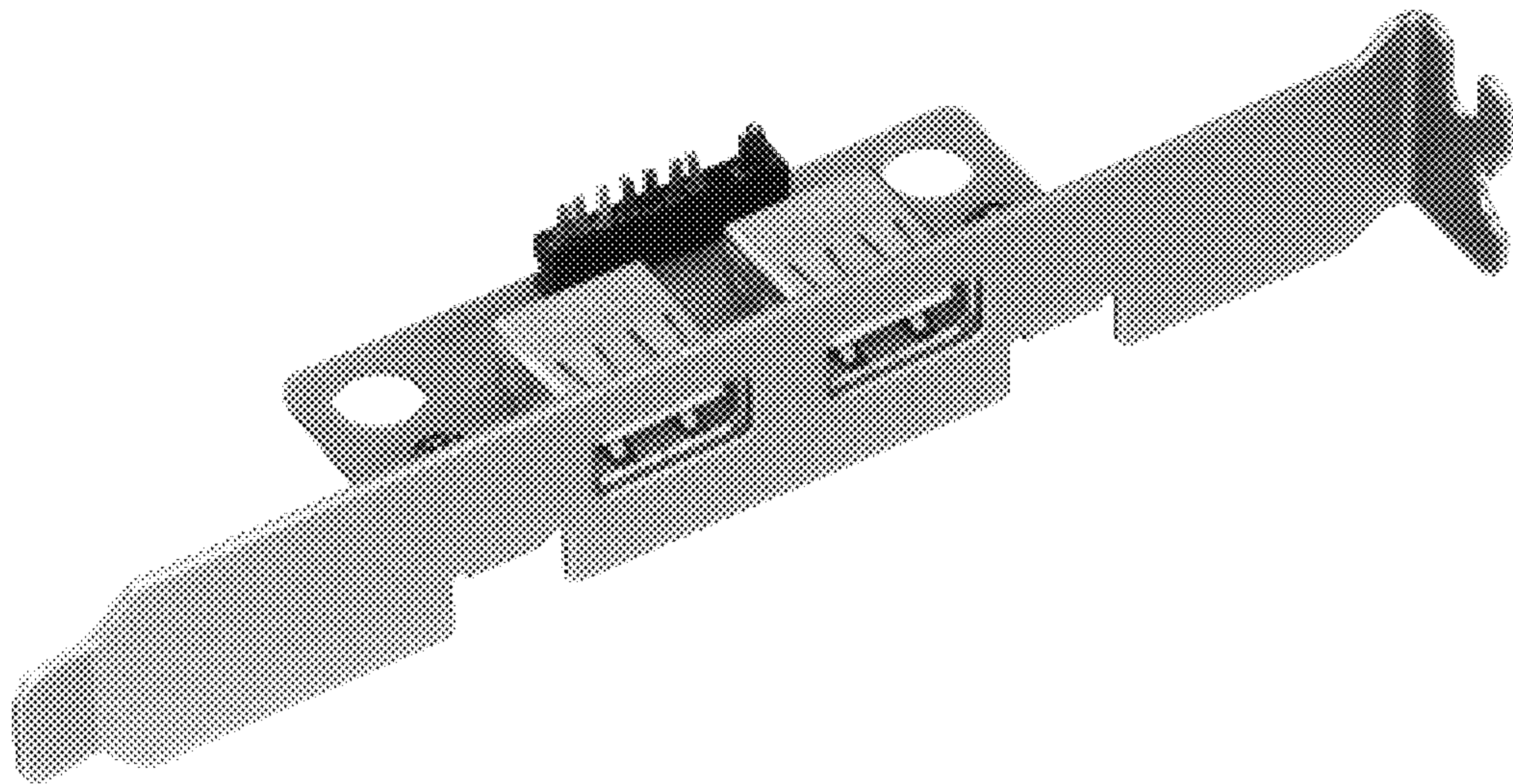
FIG. 5 is a right side view thereof;

FIG. 6 is a left side view thereof,

FIG. 7 is a view thereof from the front and upper left; and,

FIG. 8 is a view thereof from the rear and upper right.

1 Claim, 3 Drawing Sheets



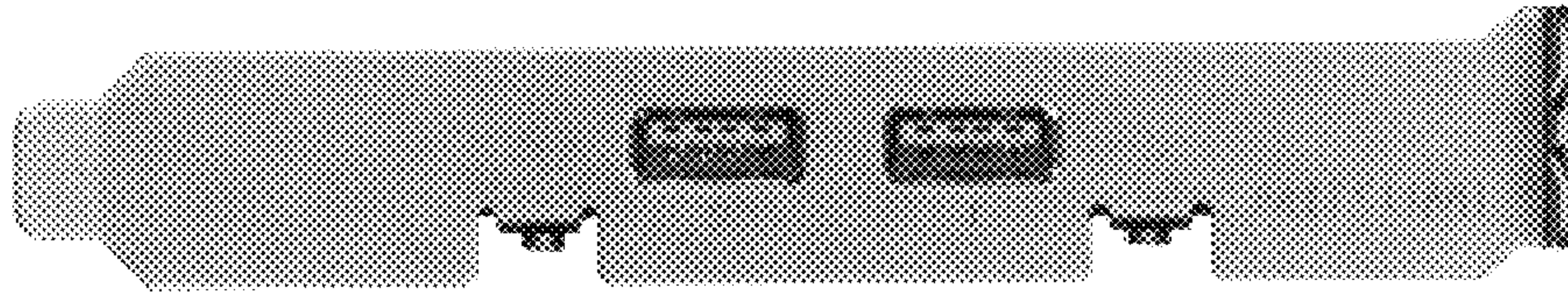


FIG. 1

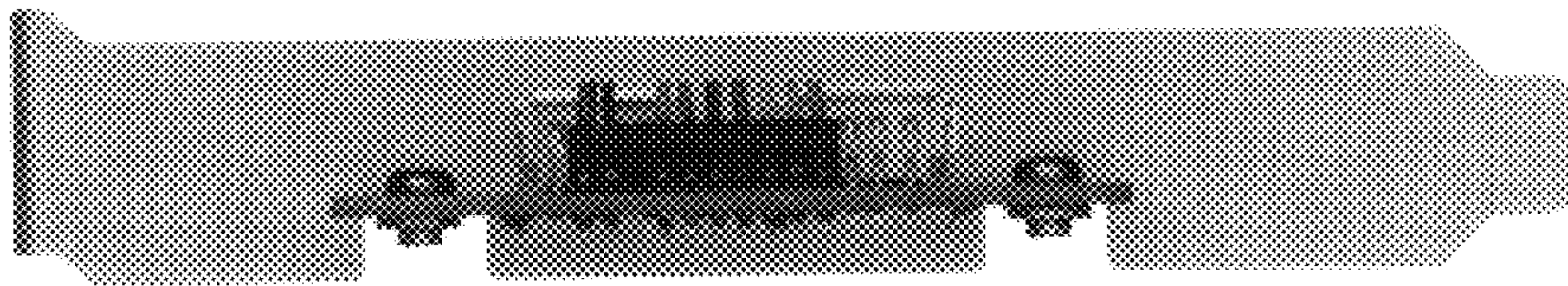


FIG. 2

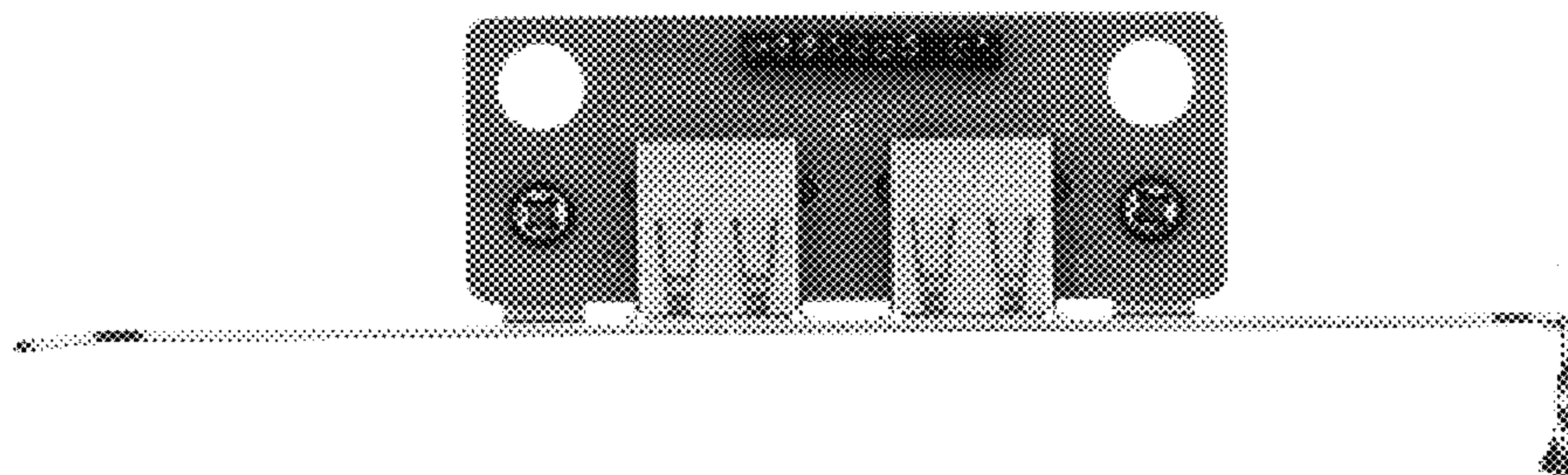


FIG. 3

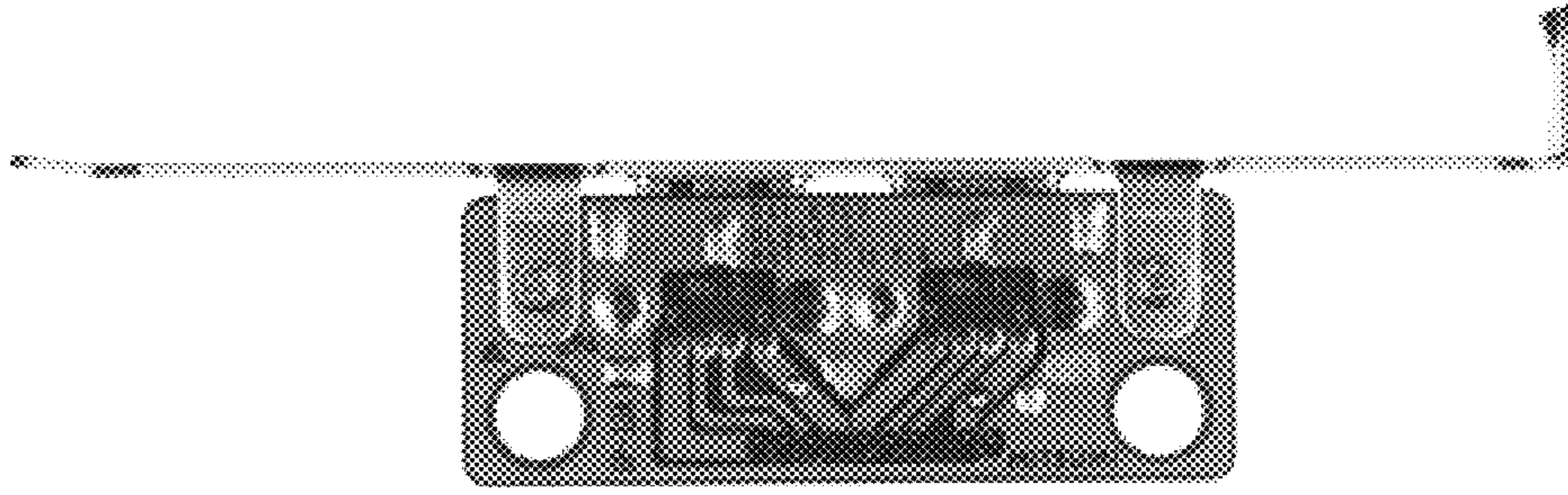


FIG. 4

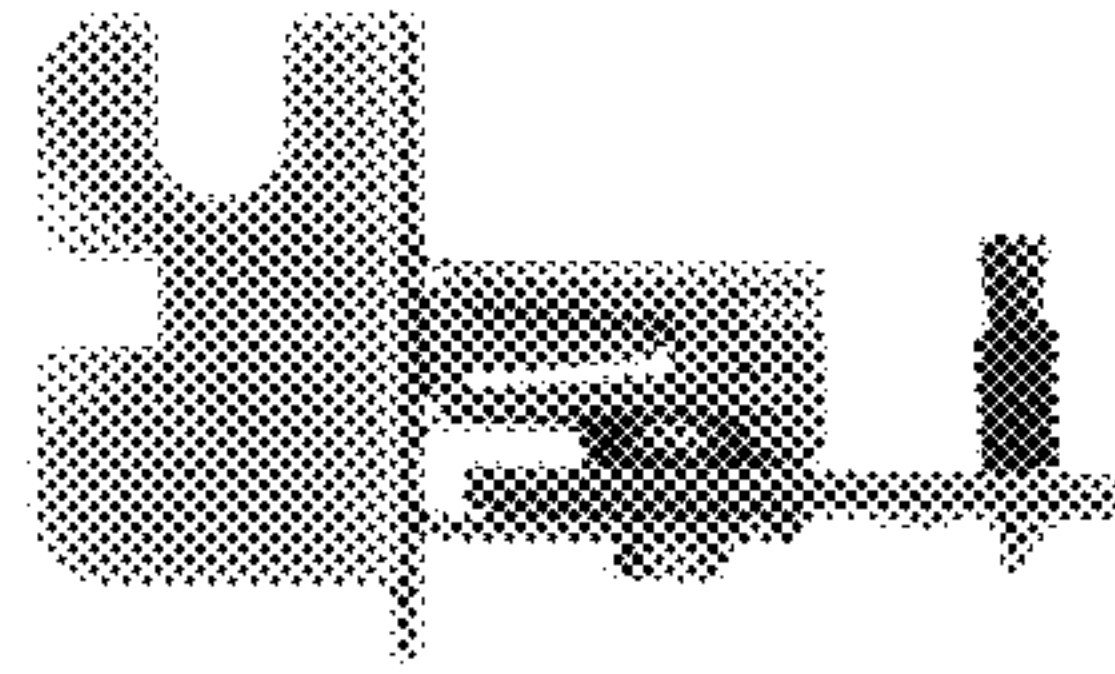


FIG. 5

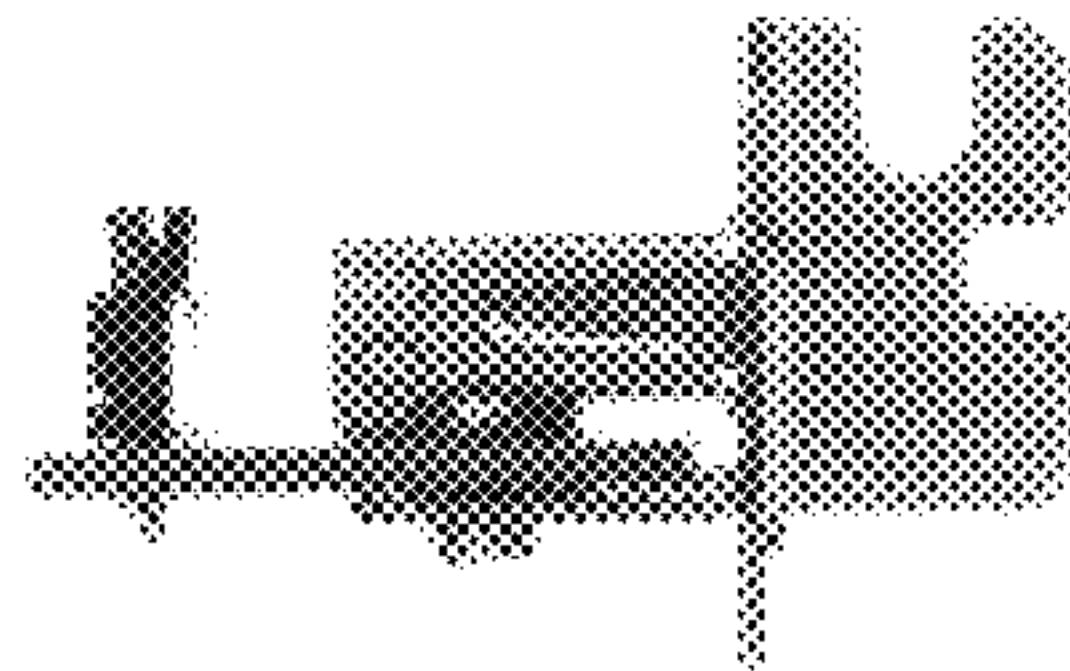


FIG. 6

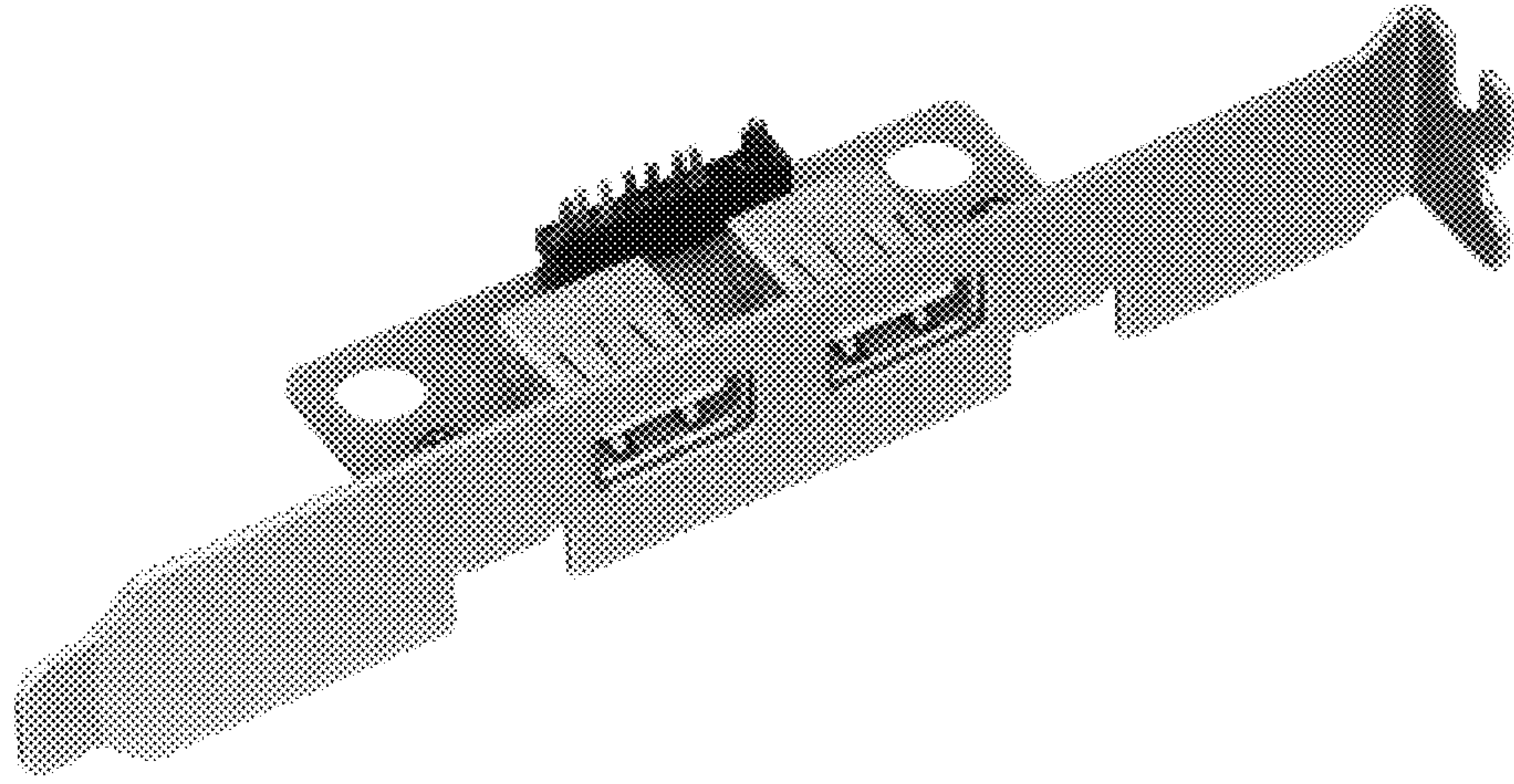


FIG. 7

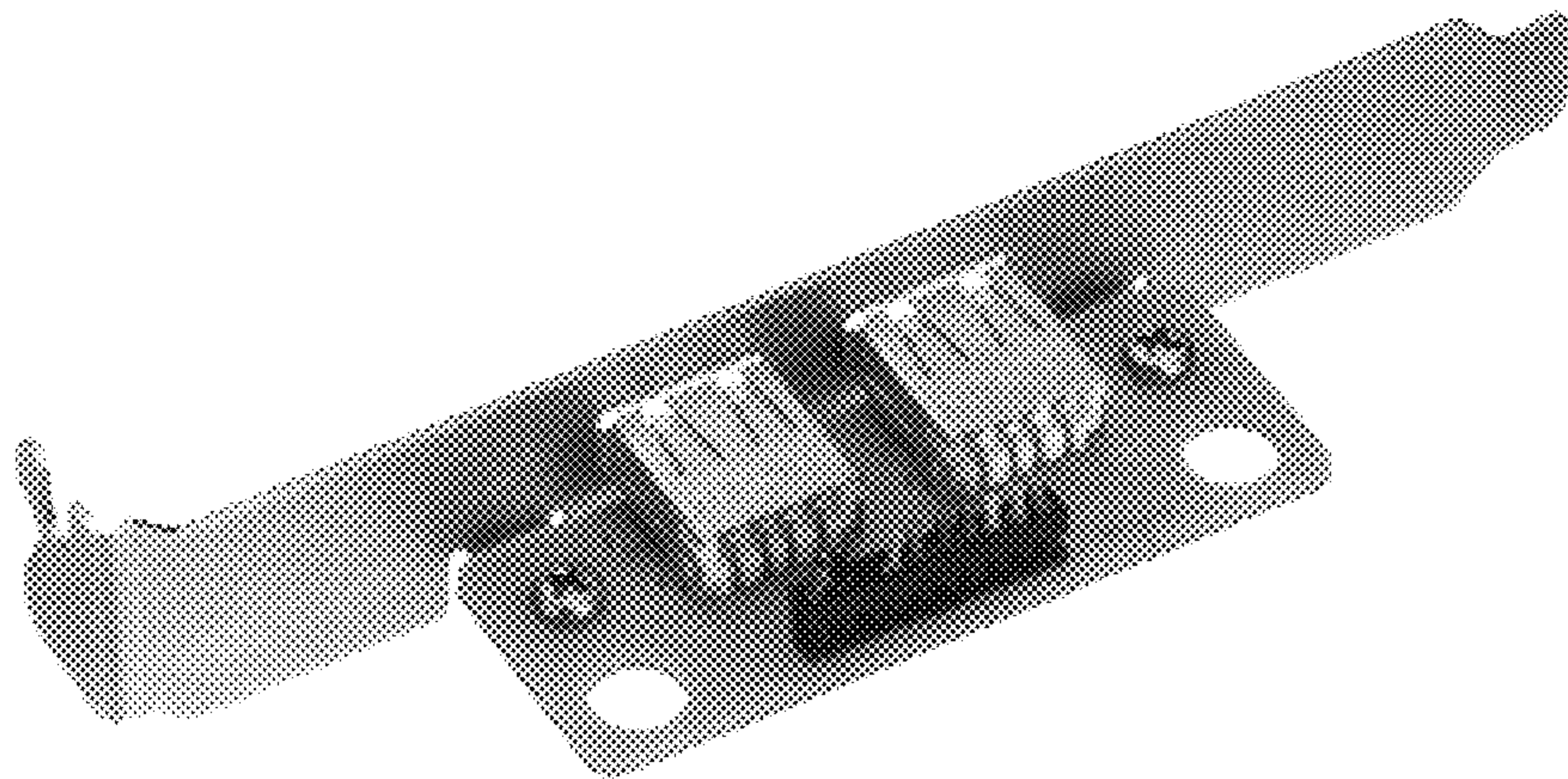


FIG. 8