



US00D438510S

(12) **United States Design Patent**
Leen

(10) **Patent No.:** **US D438,510 S**

(45) **Date of Patent:** **** Mar. 6, 2001**

(54) **THREE-WAY SPLICE**

(76) **Inventor:** **Monte A. Leen**, 11730 NE. 12th St.,
Bellevue, WA (US) 98005

(**) **Term:** **14 Years**

(21) **Appl. No.:** **29/123,206**

(22) **Filed:** **May 11, 2000**

(51) **LOC (7) Cl.** **13-03**

(52) **U.S. Cl.** **D13/146**

(58) **Field of Search** D13/146, 147,
D13/154; 439/501, 502, 623; 174/72 R,
72 A, 72 C, 88 R

(56) **References Cited**

U.S. PATENT DOCUMENTS

D. 347,208	*	5/1994	Martin et al.	D13/133
D. 387,733	*	12/1997	Lee	D13/147
D. 392,942	*	3/1998	Lee	D13/147
D. 429,218	*	8/2000	Lee	D13/147
3,604,837	*	9/1971	Mixon, Jr.	174/72 R

5,243,136	*	9/1993	Chen	174/72 C
5,347,089	*	9/1994	Barrat et al.	174/88 R X
5,443,400	*	8/1995	Brown et al.	439/650
5,726,388	*	3/1998	Ferland	174/72 C
5,984,717	*	11/1999	Lee	439/501

* cited by examiner

Primary Examiner—Joel Sincavage

(74) *Attorney, Agent, or Firm*—Dean A. Craine

(57) **CLAIM**

The ornamental design for a three-way splice, as shown and described.

DESCRIPTION

FIG. 1 is a perspective view of the three-way splice.

FIG. 2 is a top plan view of the invention.

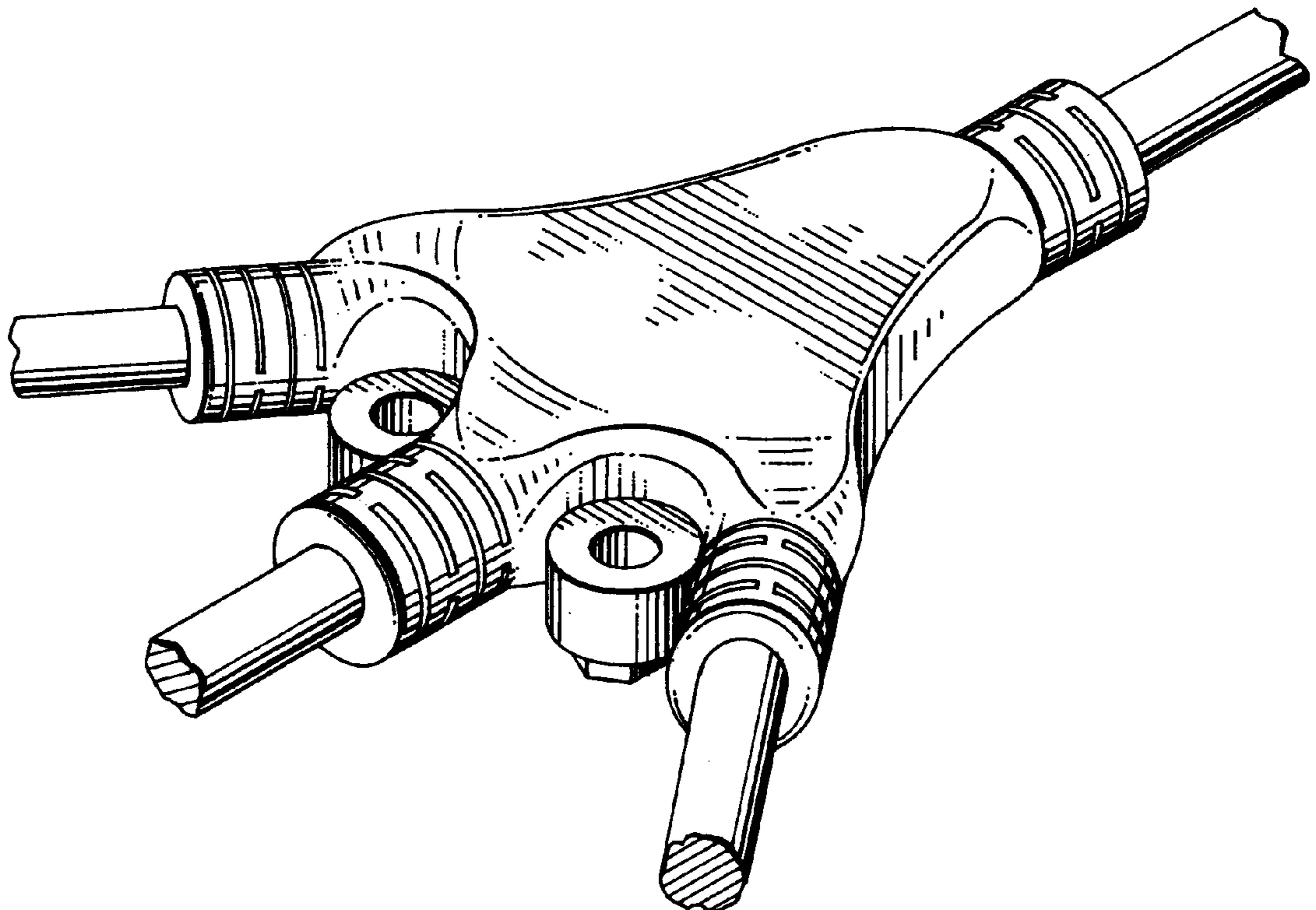
FIG. 3 is a bottom plan view of the invention.

FIG. 4 is a left side elevation view of the invention, with the right side being a mirror image thereof.

FIG. 5 is a front elevation view of the invention; and,

FIG. 6 is a rear elevation view of the invention.

1 Claim, 2 Drawing Sheets



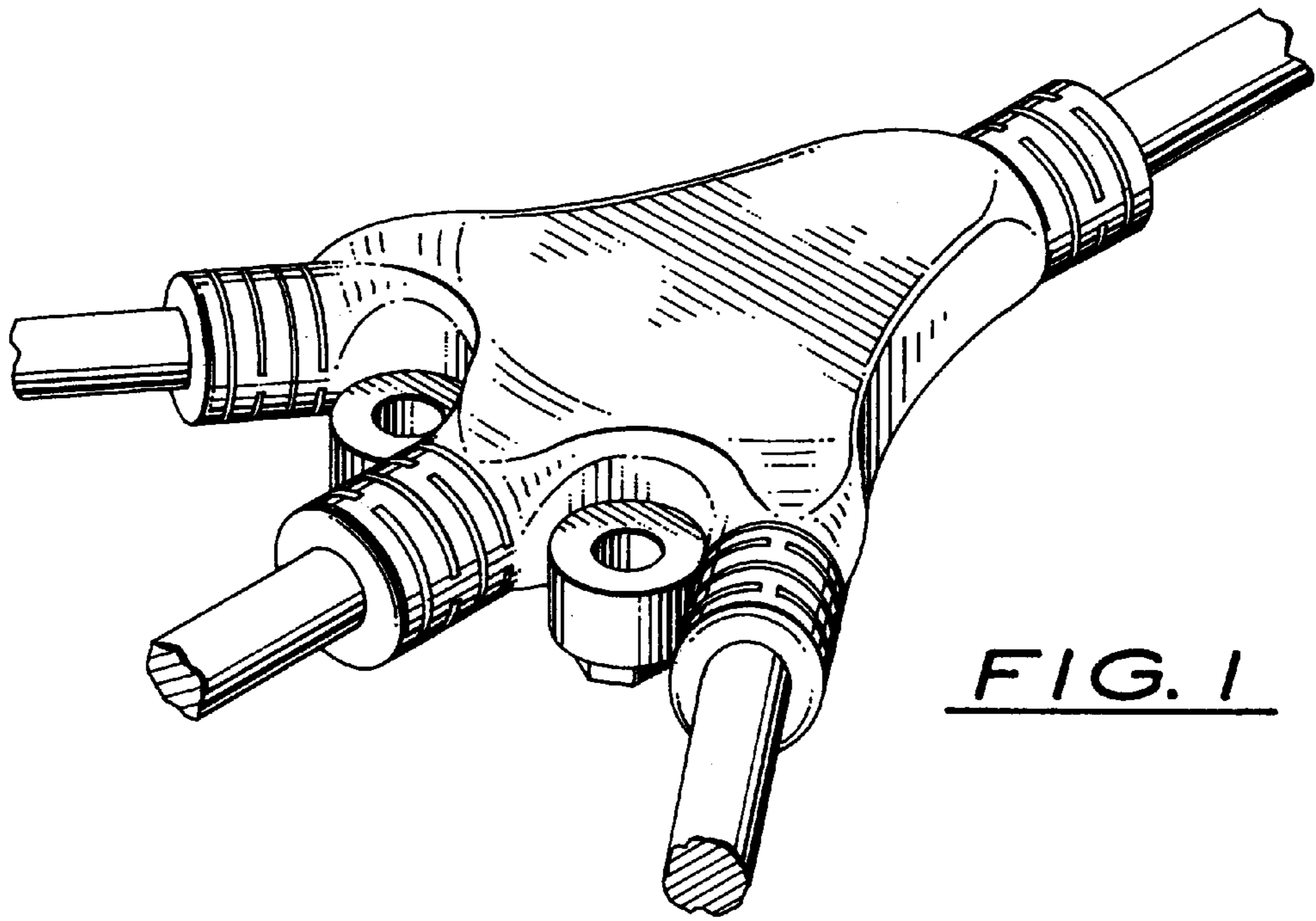


FIG. 1

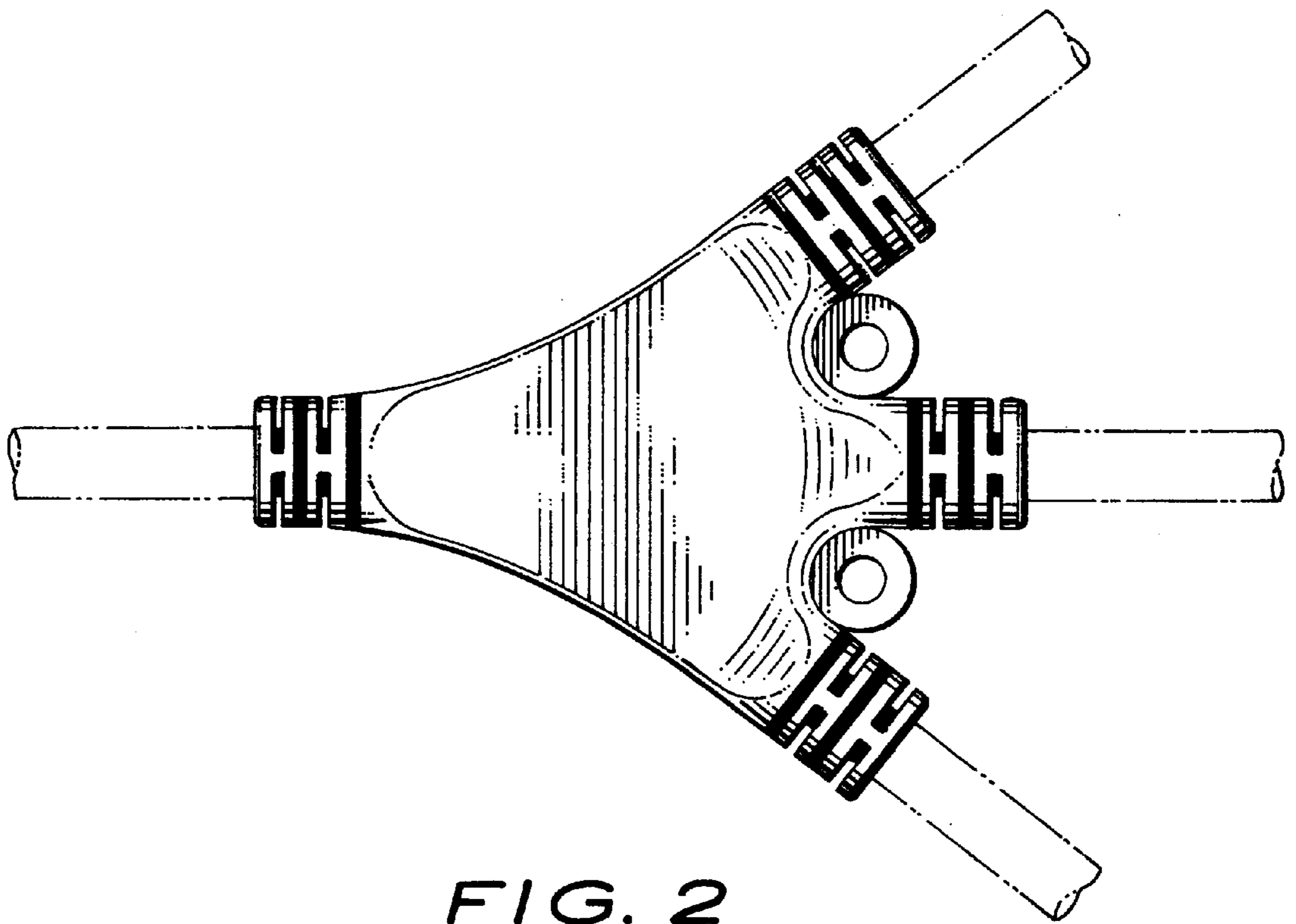


FIG. 2

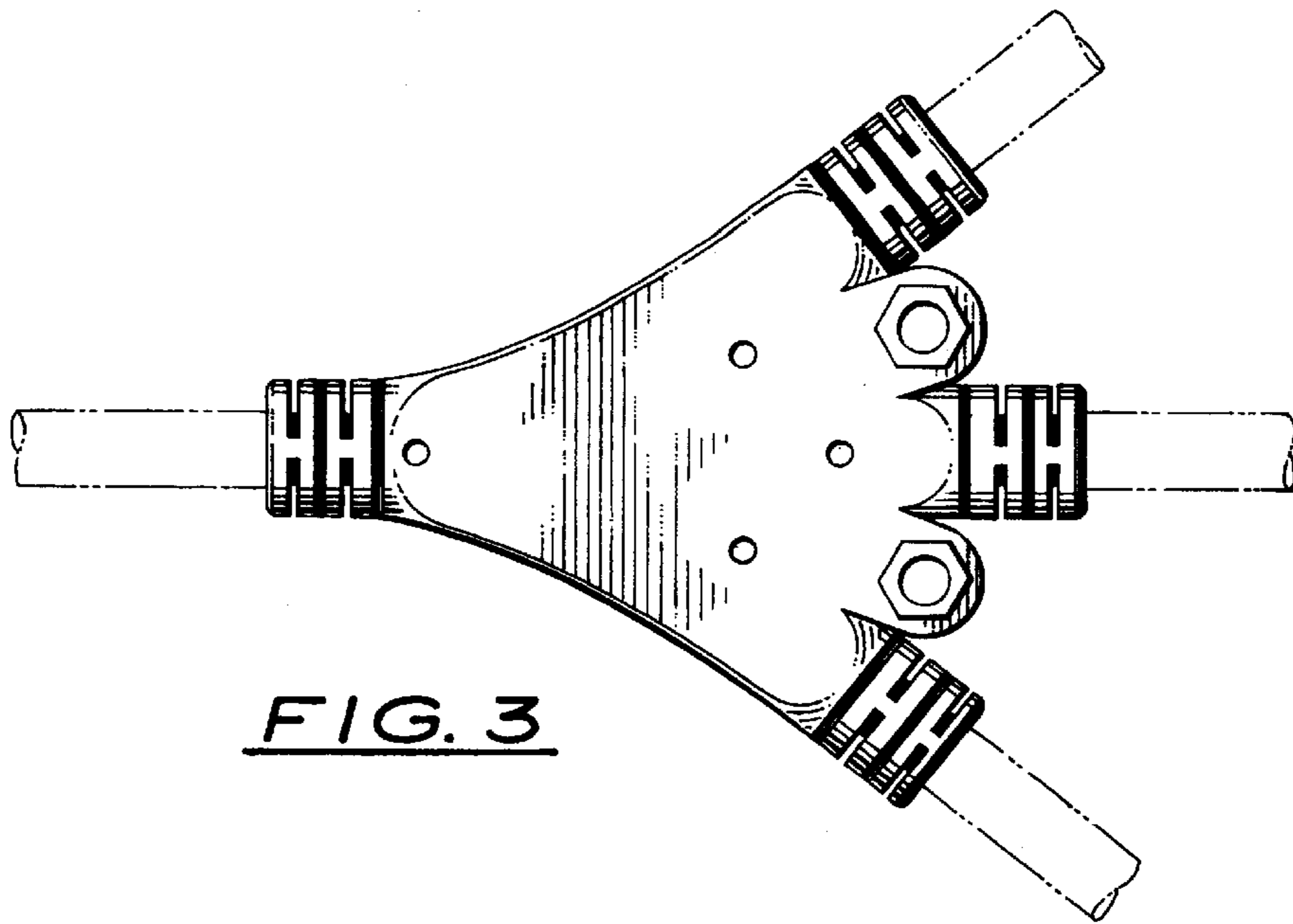


FIG. 3

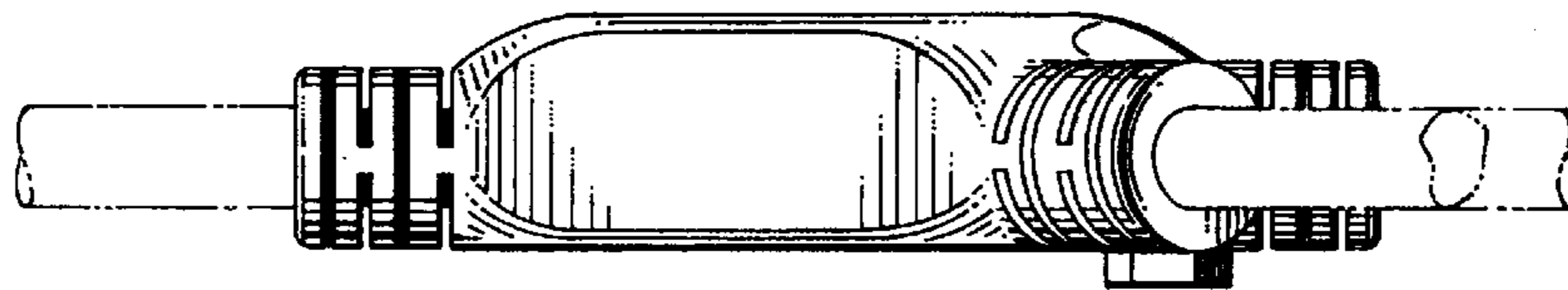


FIG. 4

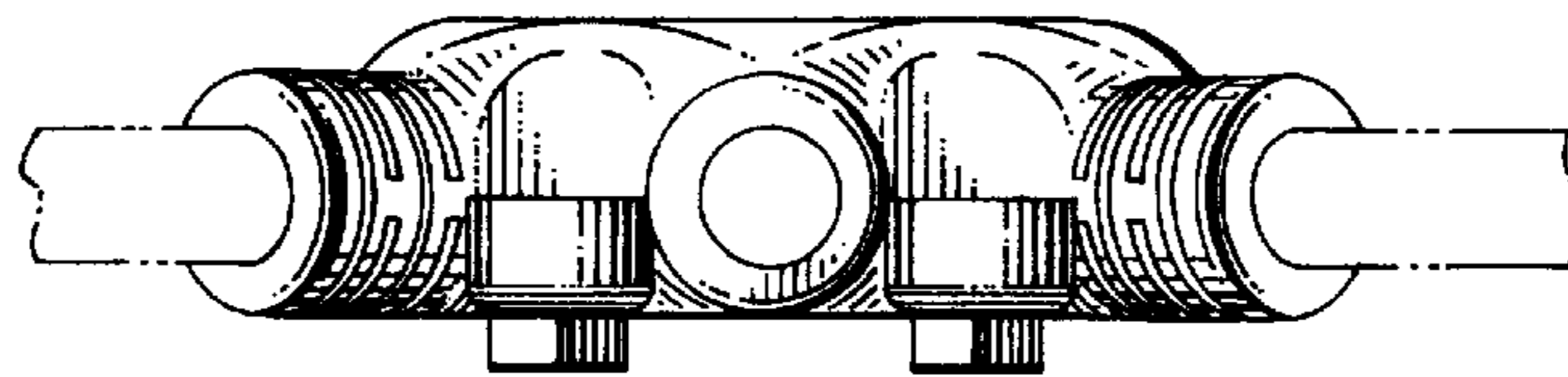


FIG. 5

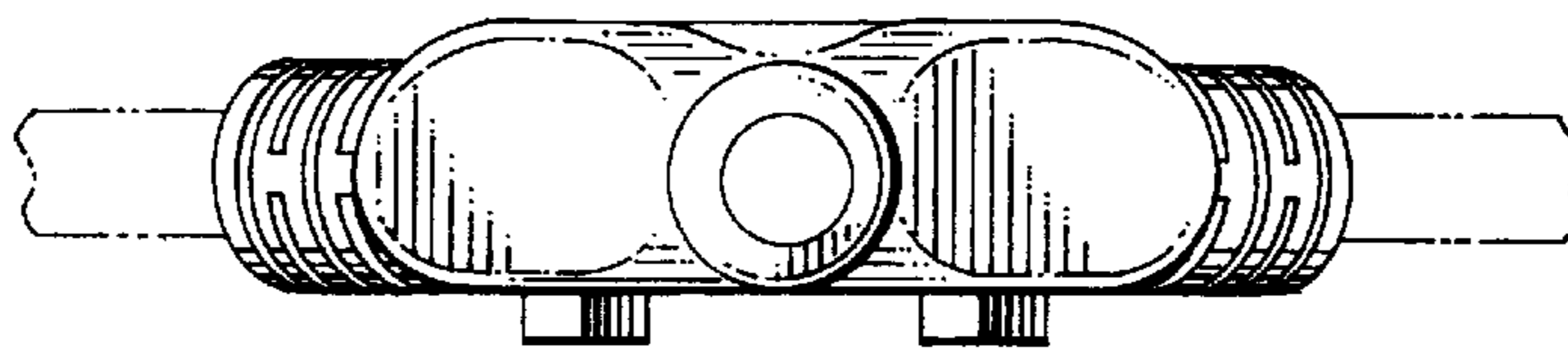


FIG. 6