



US00D438508S

(12) **United States Design Patent**  
**Stanford et al.**

(10) **Patent No.:** **US D438,508 S**

(45) **Date of Patent:** **\*\* Mar. 6, 2001**

(54) **BATTERY PACK**

5,635,693 6/1997 Benson et al. .

(75) Inventors: **Thomas H. Stanford**, Escondido;  
**Elden R. Davisson**, Poway, both of CA  
(US)

\* cited by examiner

*Primary Examiner*—Joel Sincavage

(73) Assignee: **H. M. Electronics, Inc.**, San Diego, CA  
(US)

(74) *Attorney, Agent, or Firm*—Higgs, Fletcher & Mack  
LLP; Bernard L. Kleinke

(\*\*) Term: **14 Years**

(57) **CLAIM**

The ornamental design for a battery pack, as shown and  
described.

(21) Appl. No.: **29/108,701**

**DESCRIPTION**

(22) Filed: **Aug. 2, 1999**

(51) **LOC (7) Cl.** ..... **13-02**

(52) **U.S. Cl.** ..... **D13/103**

(58) **Field of Search** ..... D13/103; 429/96-100,  
429/159, 163, 176

FIG. 1 is a pictorial view of a battery pack illustrating the  
top, right and front sides thereof;

FIG. 2 is a top plan view of the battery pack of FIG. 1;

FIG. 3 is a bottom plan view of the battery pack of FIG. 1;

FIG. 4 is an elevational view of the left side of the battery  
pack of FIG. 1;

FIG. 5 is an elevational view of the right side of the battery  
pack of FIG. 1;

FIG. 6 is an elevational view of the front side of the battery  
pack of FIG. 1; and,

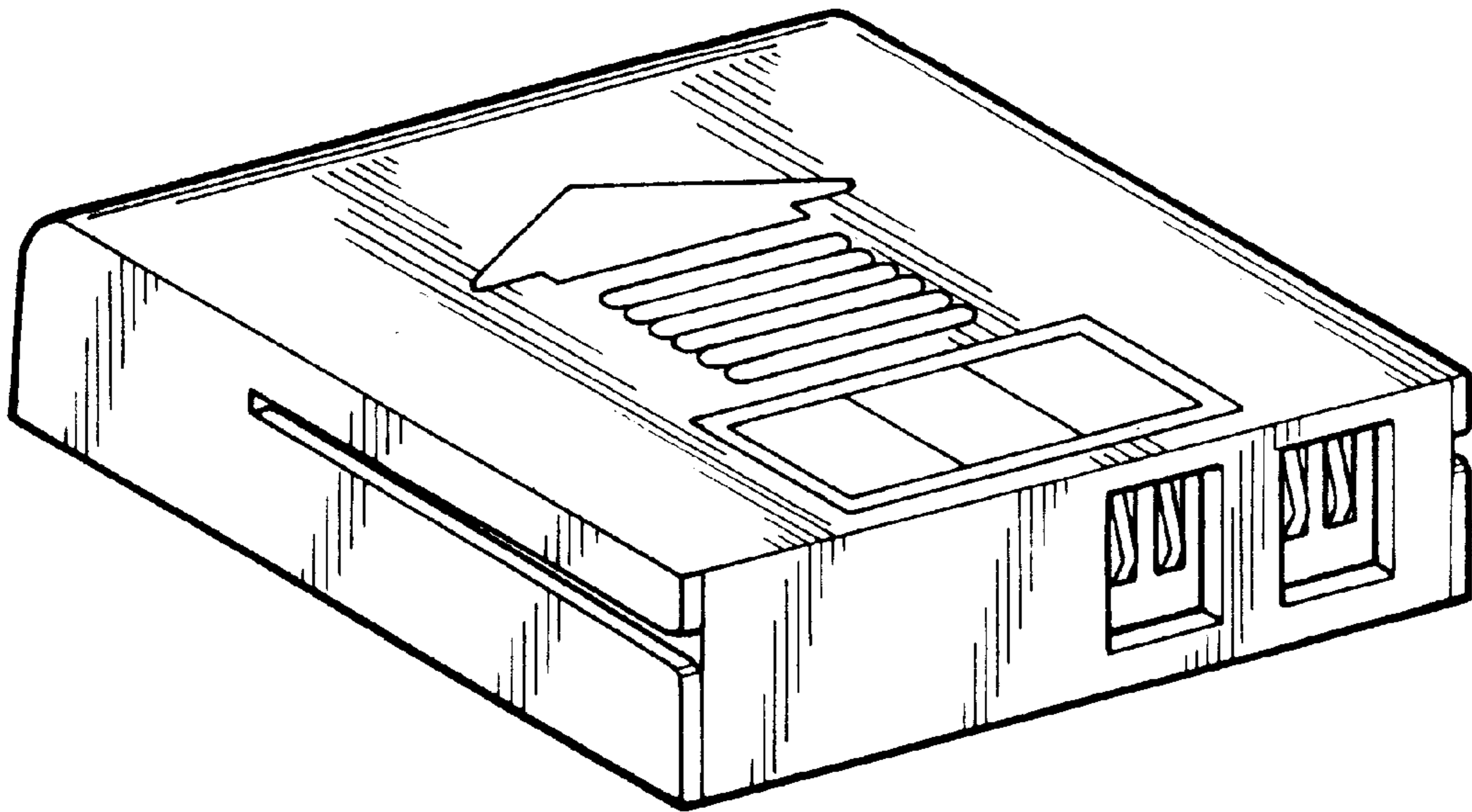
FIG. 7 is an elevational view of the rear side of the battery  
pack of FIG. 1.

(56) **References Cited**

**U.S. PATENT DOCUMENTS**

D. 387,727	*	12/1997	Settsu et al. ....	D13/103
D. 400,848	*	11/1998	Clark et al. ....	D13/103
D. 401,900	*	12/1998	Eckholm ....	D13/103
D. 405,048	*	2/1999	Mason ....	D13/103
D. 414,158	*	9/1999	Frye et al. ....	D13/103

**1 Claim, 1 Drawing Sheet**



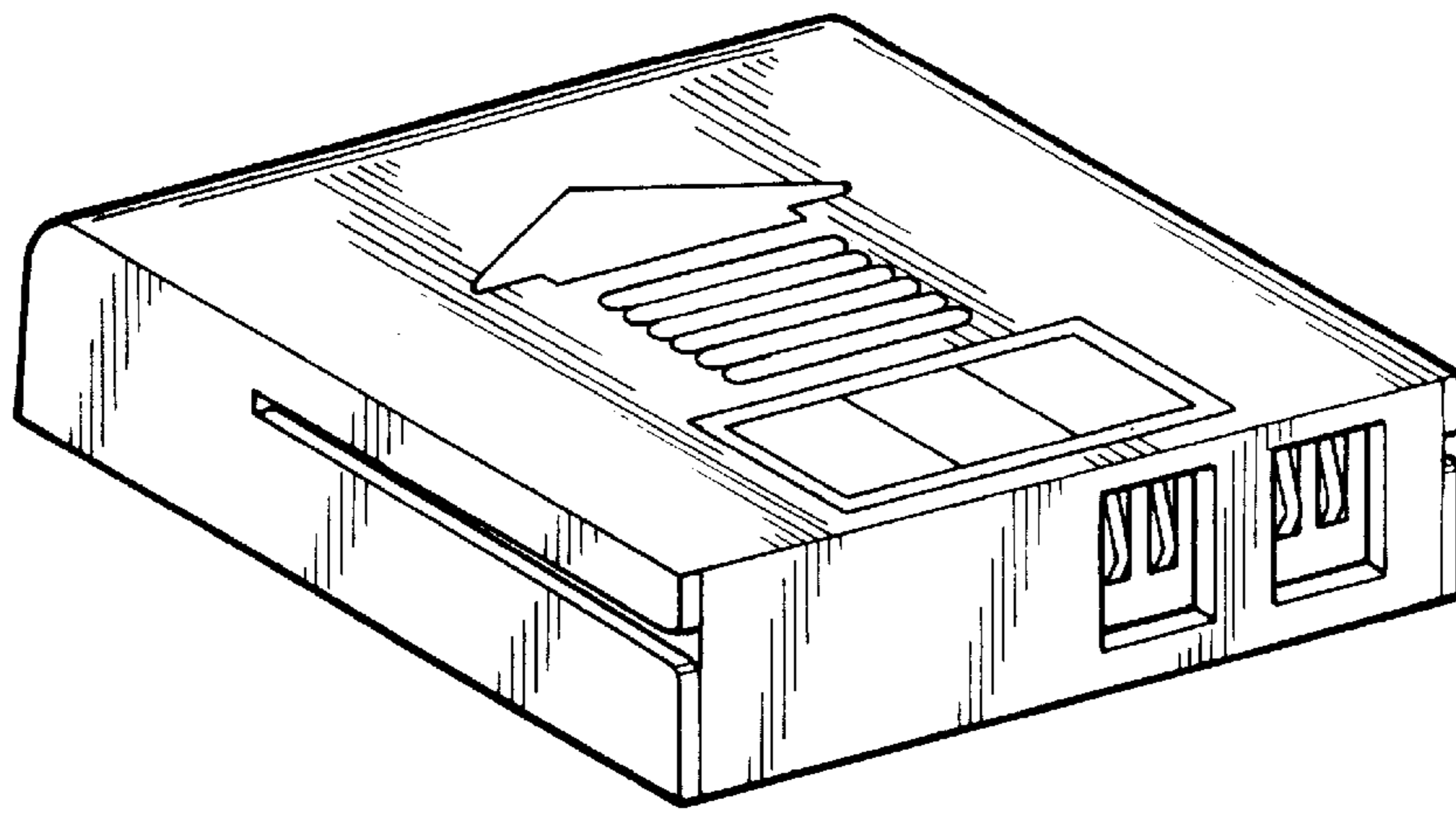


FIG. 1

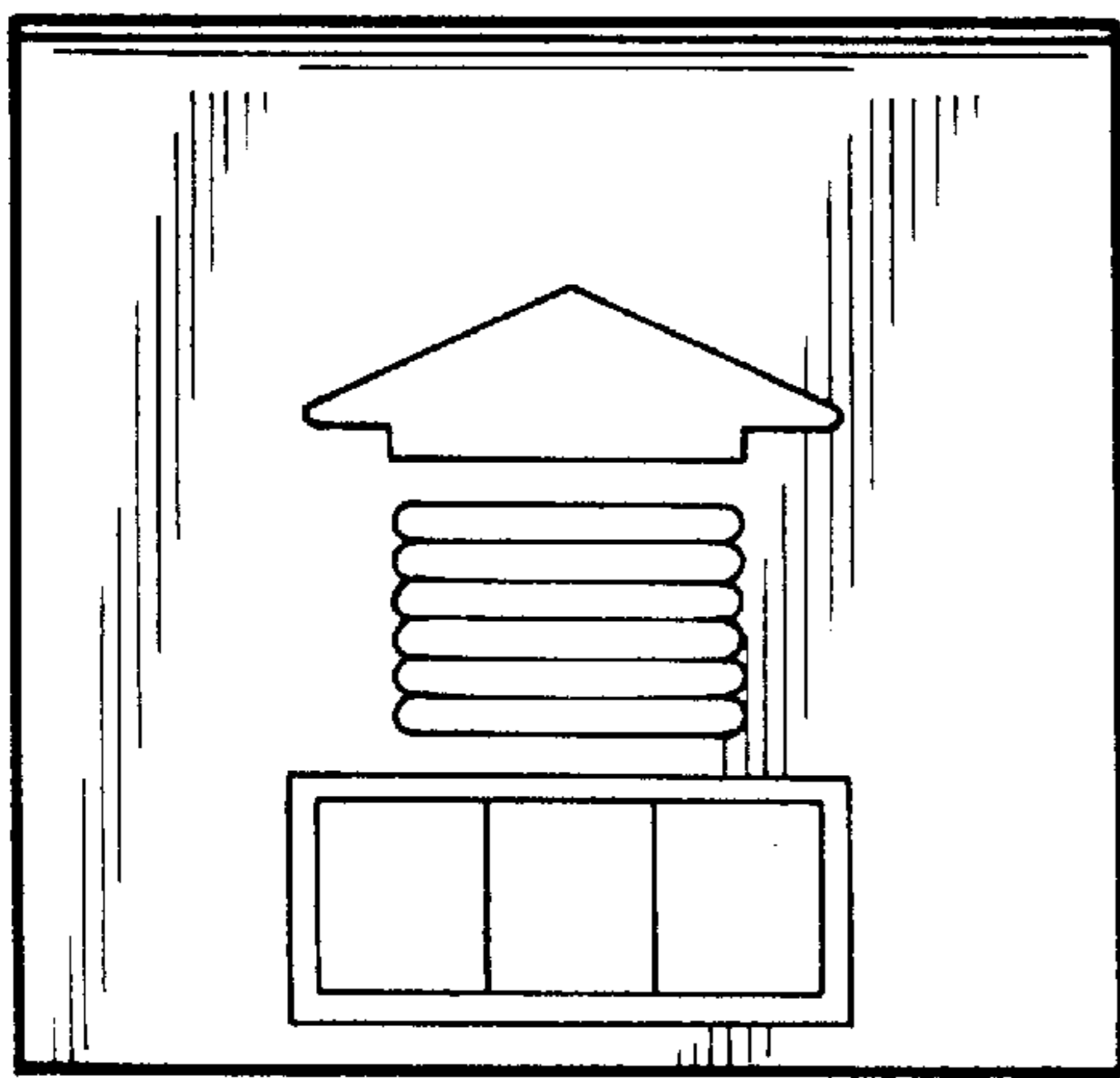


FIG. 2

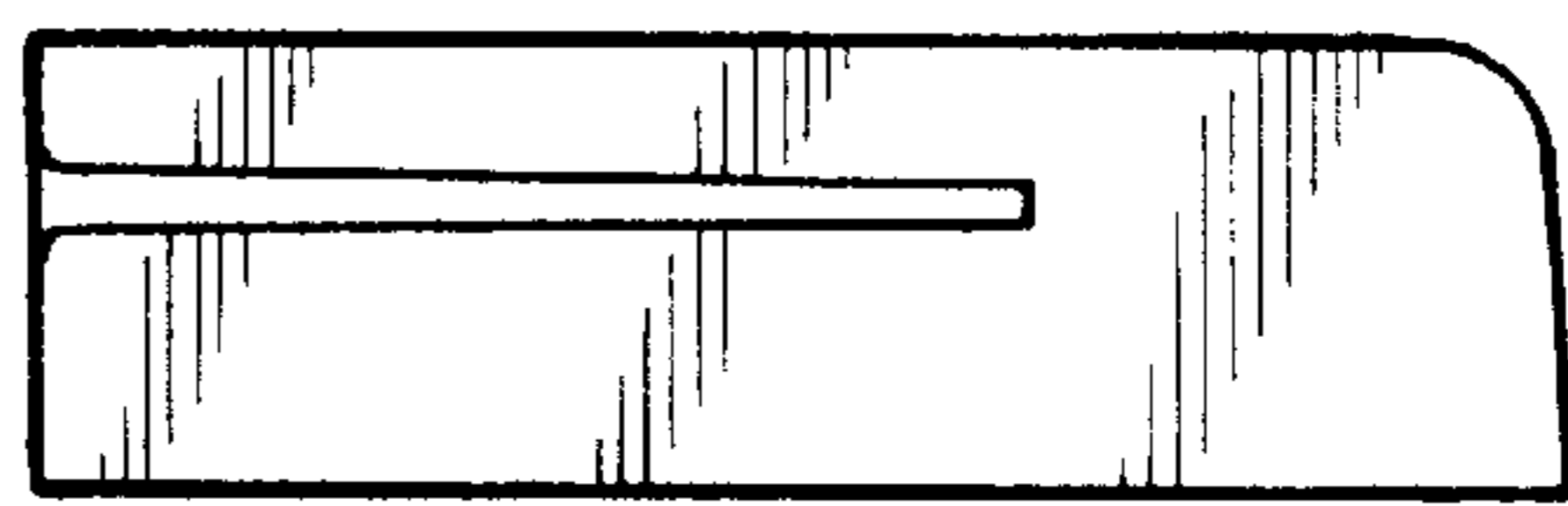


FIG. 4

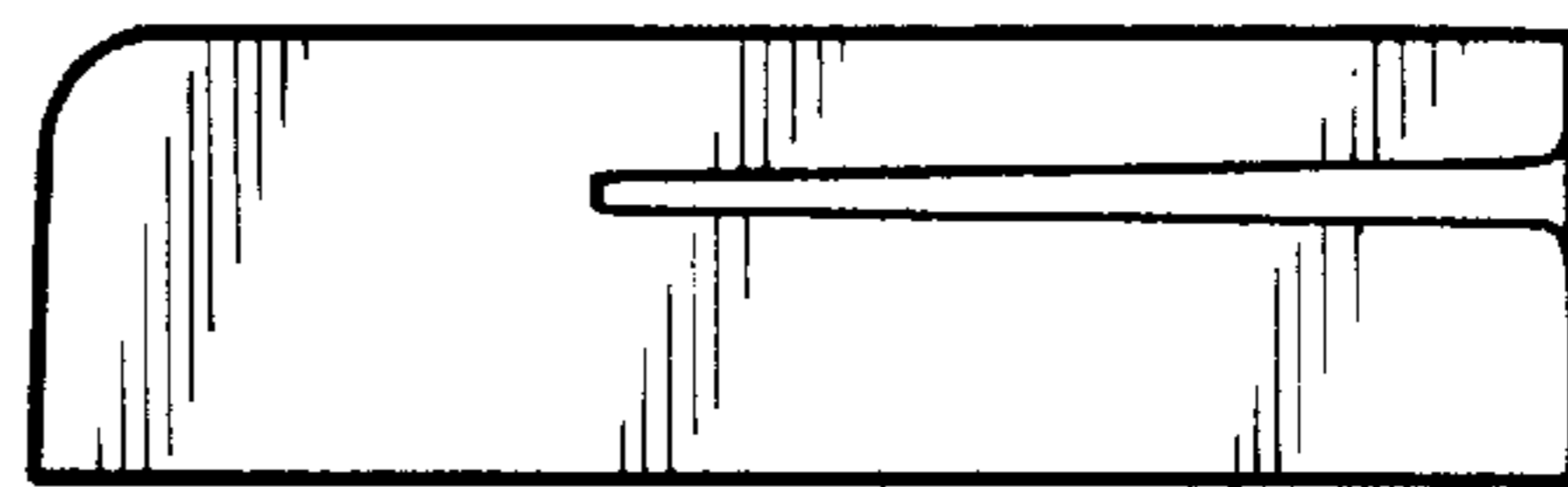


FIG. 5

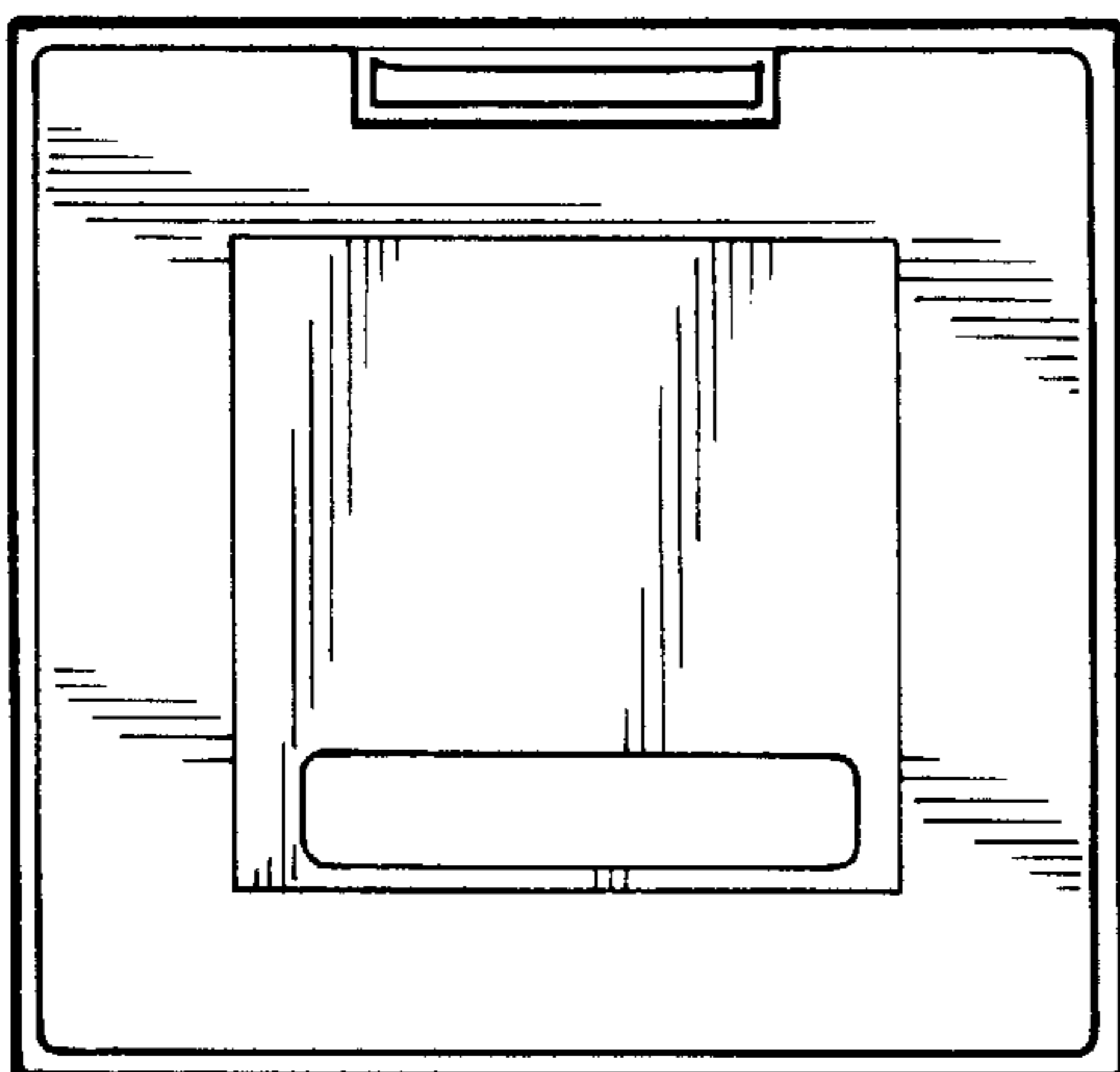


FIG. 3

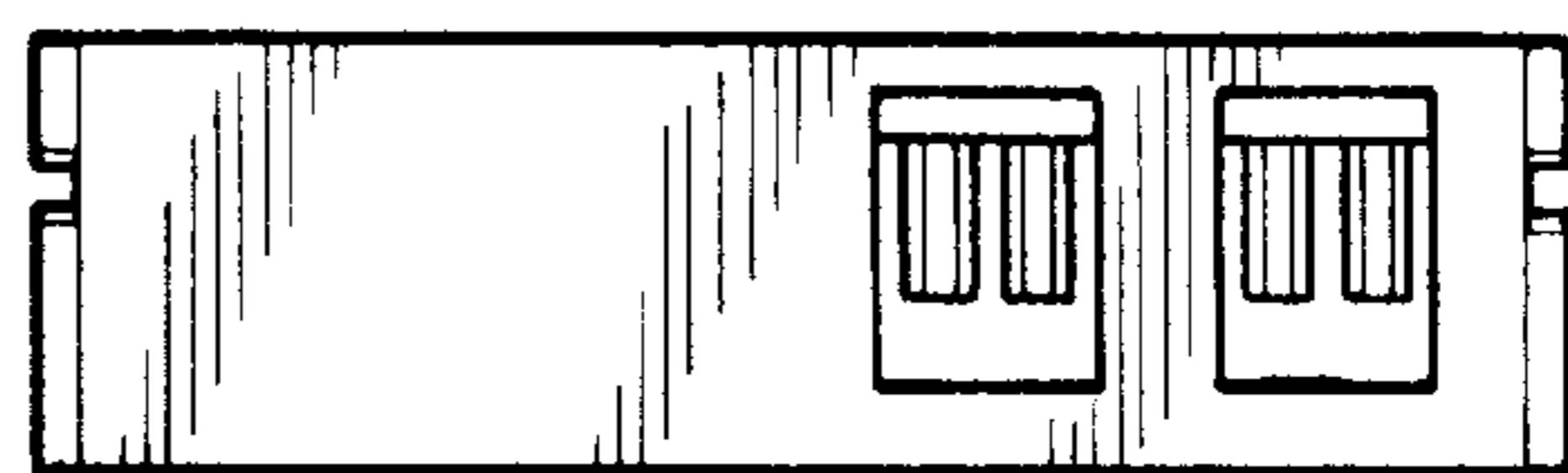


FIG. 6

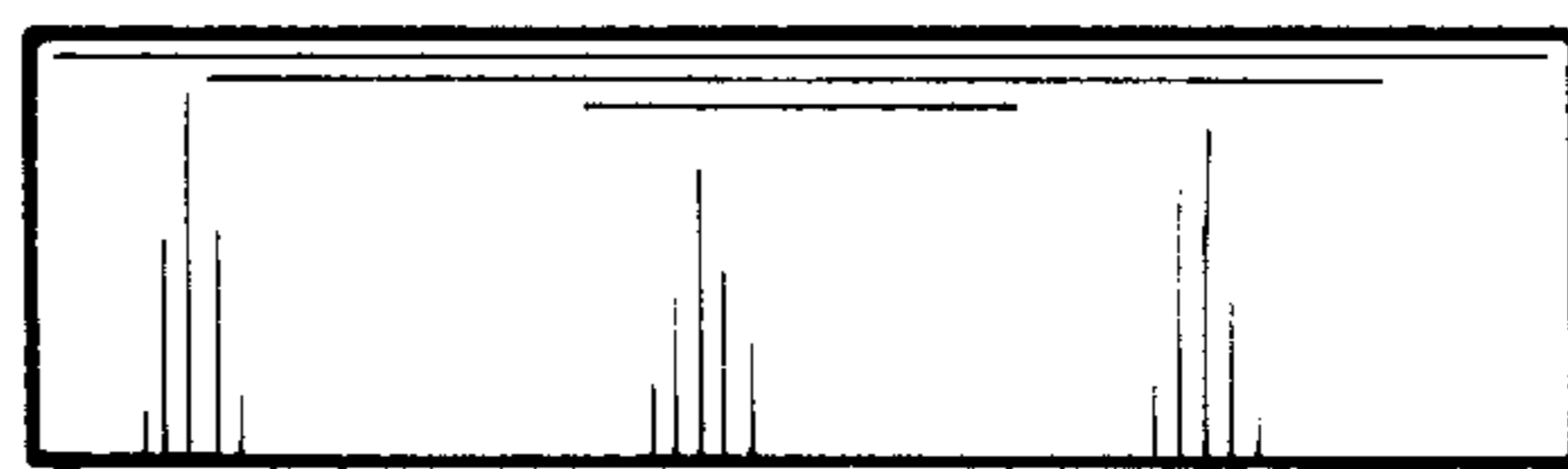


FIG. 7