



US00D438506S

(12) **United States Design Patent**  
**Munson**

(10) **Patent No.:** **US D438,506 S**

(45) **Date of Patent:** **\*\* Mar. 6, 2001**

(54) **TUNNEL HULL CATAMARAN LANDING CRAFT**

5,365,869 \* 11/1994 Bulgarini ..... 114/61.1

\* cited by examiner

(76) **Inventor:** **William E. Munson**, 18130 Sunset Way, Edmonds, WA (US) 98026

*Primary Examiner*—Kay H. Chin

(74) *Attorney, Agent, or Firm*—Dean A. Craine

(\*\*) **Term:** **14 Years**

(57) **CLAIM**

(21) **Appl. No.:** **29/113,603**

The ornamental design for a tunnel hull catamaran landing craft, as shown and described.

(22) **Filed:** **Nov. 8, 1999**

**DESCRIPTION**

(51) **LOC (7) Cl.** ..... **12-06**

(52) **U.S. Cl.** ..... **D12/300; D12/304; D12/310**

(58) **Field of Search** ..... **D12/300-318; 114/61.1, 288, 290, 385, 357, 56**

FIG. 1 is a perspective view of a tunnel hull catamaran landing craft.

FIG. 2 is a top plan view of the invention.

FIG. 3 is a bottom plan view of the invention.

FIG. 4 is a left side elevation view of the invention.

FIG. 5 is a right side elevation view of the invention.

FIG. 6 is a rear elevation view of the invention; and,

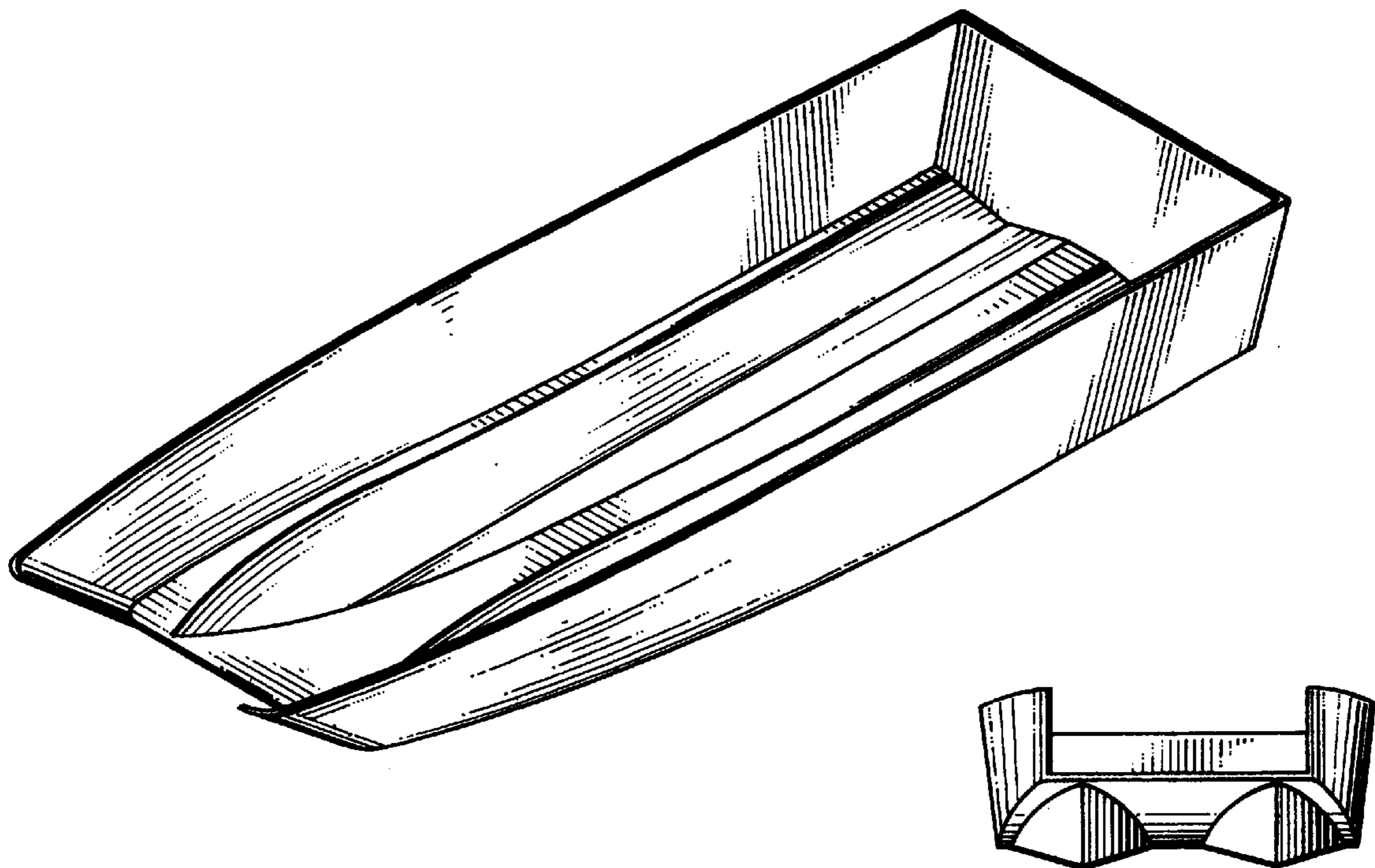
FIG. 7 is a front elevation view of the invention.

(56) **References Cited**

**U.S. PATENT DOCUMENTS**

|            |   |         |             |       |          |
|------------|---|---------|-------------|-------|----------|
| D. 292,908 | * | 11/1987 | Moar        | ..... | D12/300  |
| D. 402,618 | * | 12/1998 | Veazey      | ..... | D12/310  |
| 2,950,701  | * | 8/1960  | De Stefani  | ..... | 114/61.1 |
| 3,470,839  |   | 10/1969 | Faul et al. | ..... | 114/61.1 |

**1 Claim, 2 Drawing Sheets**



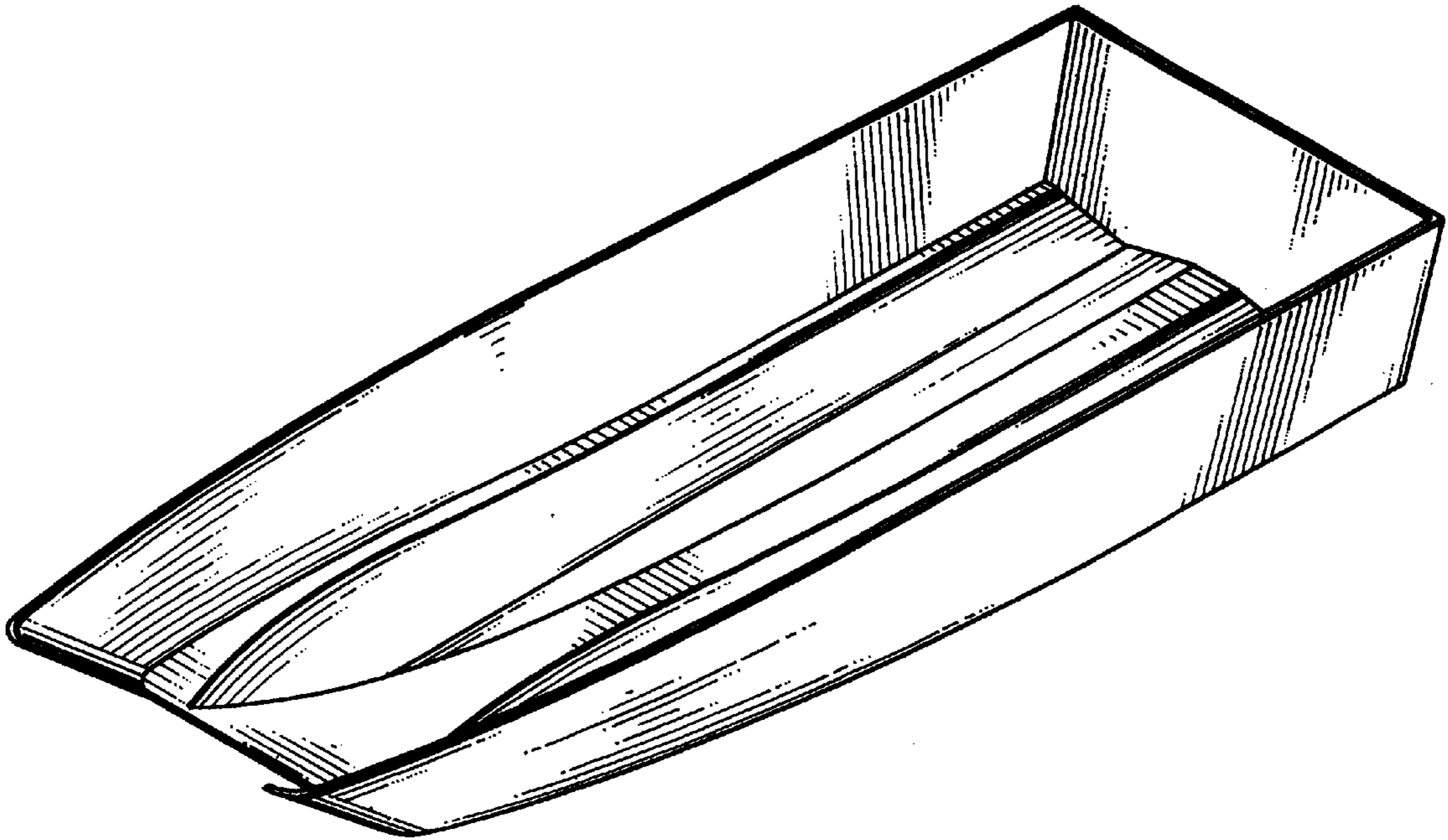


FIG. 1

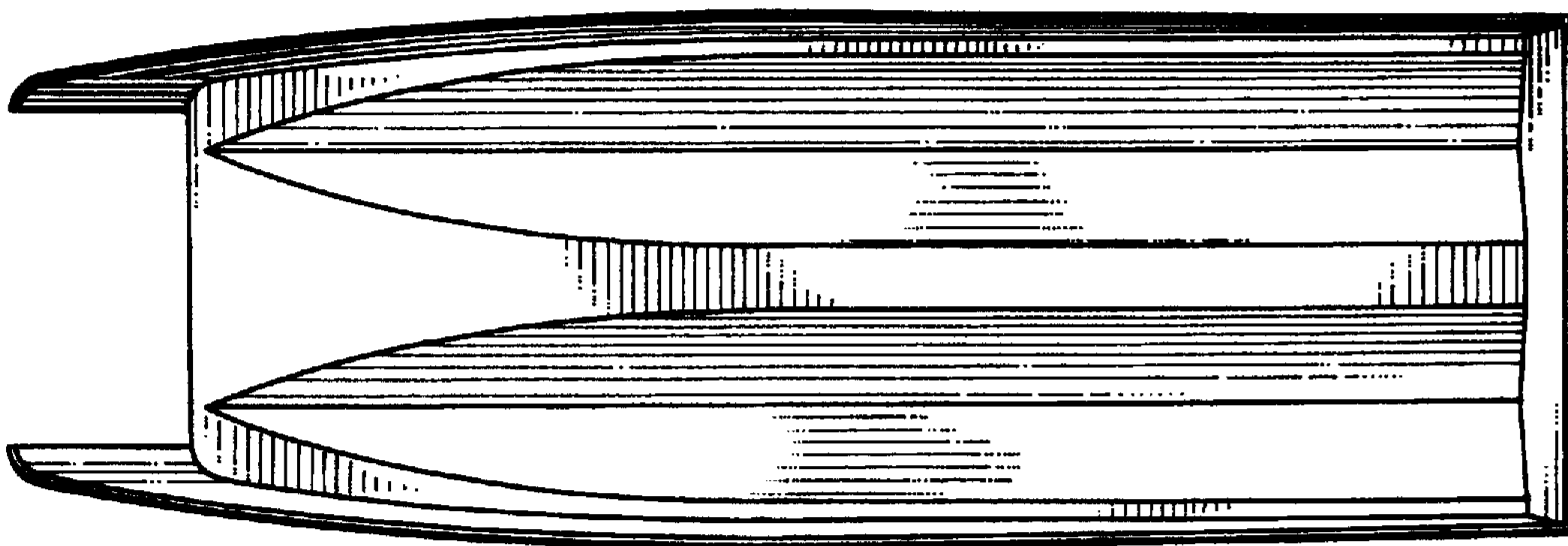


FIG. 2

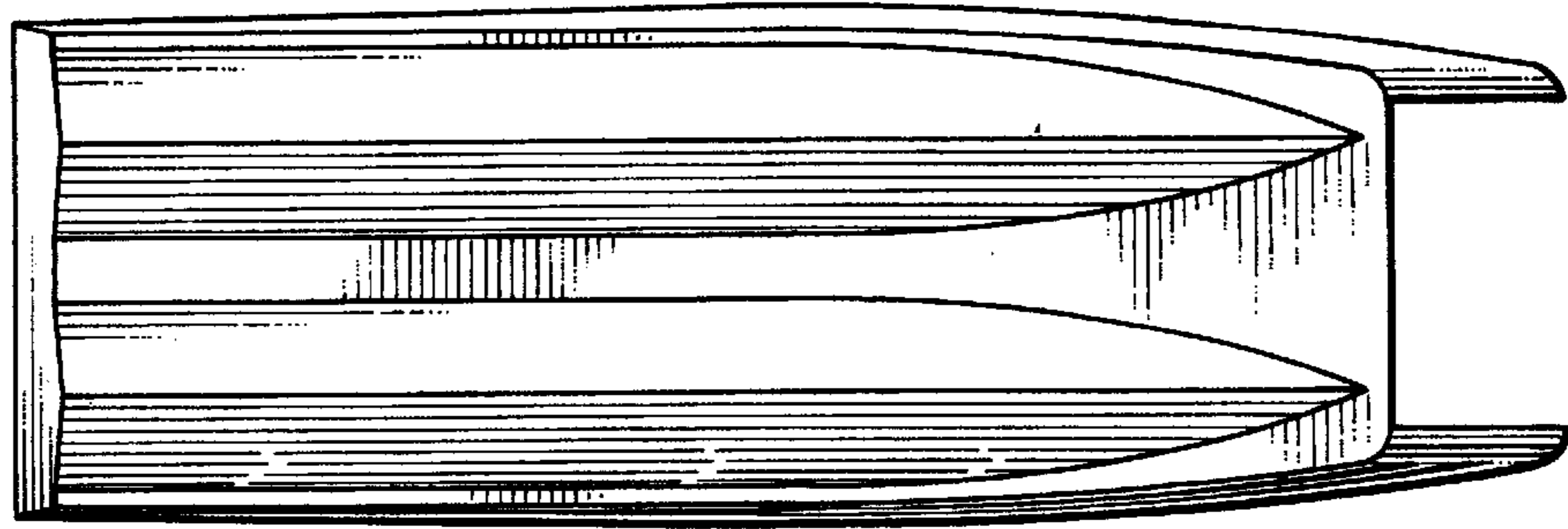


FIG. 3

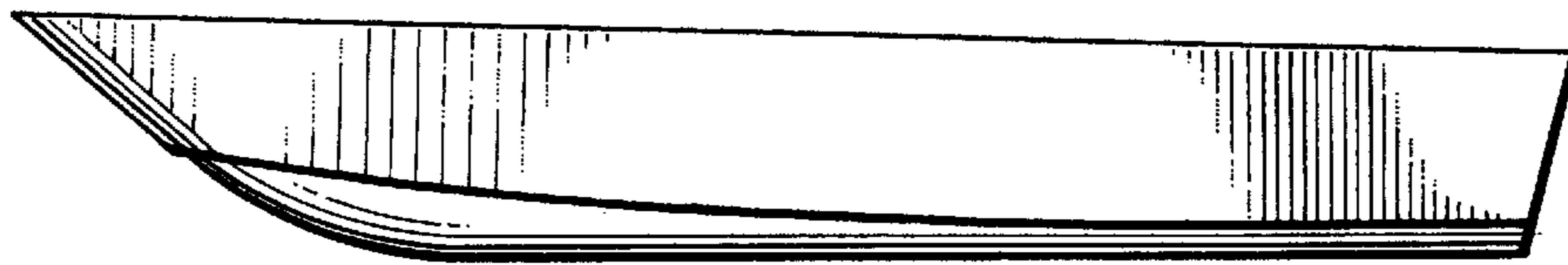


FIG. 4

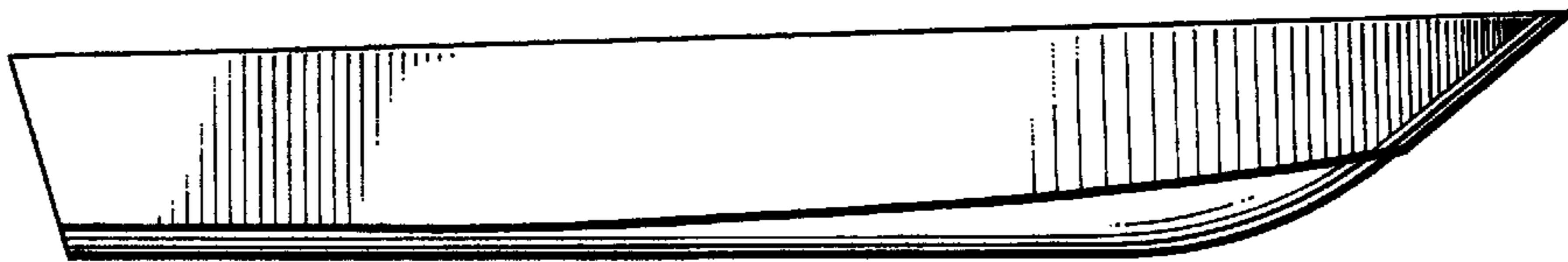


FIG. 5

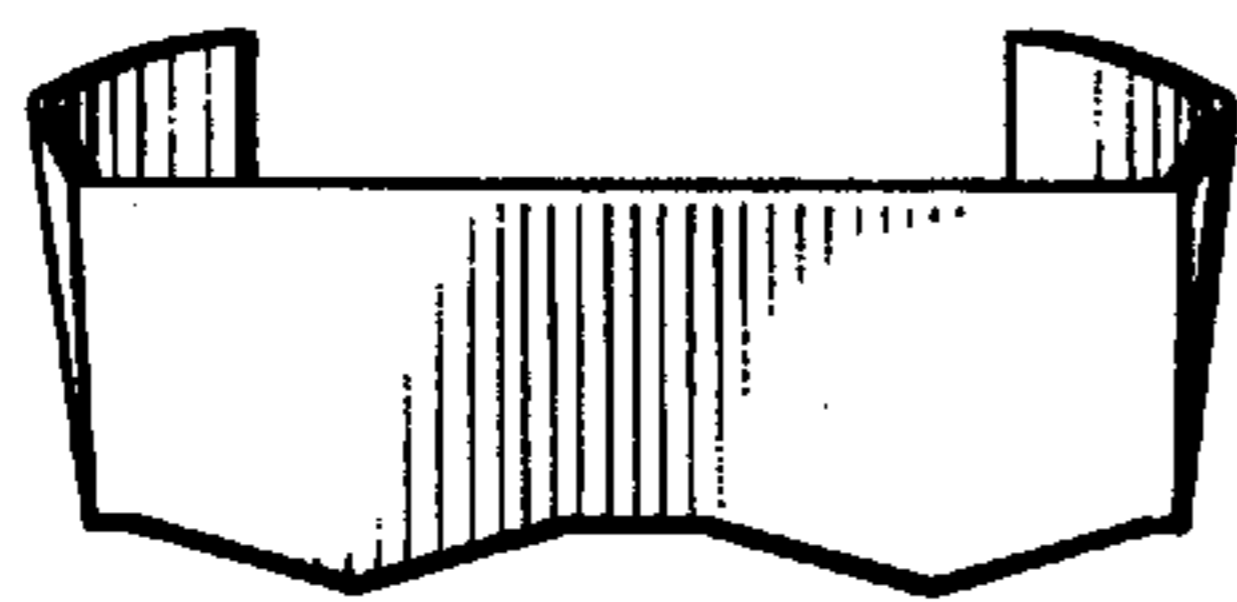


FIG. 6

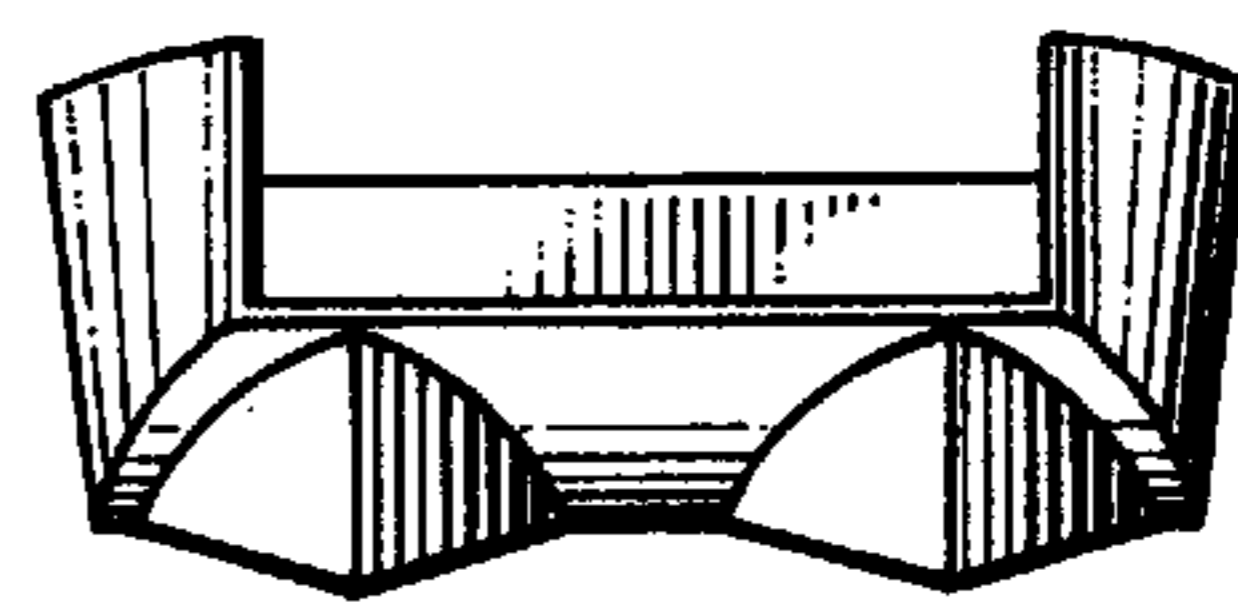


FIG. 7