



US00D438504S

(12) **United States Design Patent**
Muzzarelli

(10) **Patent No.:** **US D438,504 S**

(45) **Date of Patent:** **** Mar. 6, 2001**

(54) **FRONT FACE OF A VEHICLE WHEEL**

(75) Inventor: **Marco Muzzarelli**, Milan (IT)

(73) Assignee: **Claus Ettensberger Corporation**,
Gardena, CA (US)

(**) Term: **14 Years**

(21) Appl. No.: **29/121,707**

(22) Filed: **Apr. 12, 2000**

(51) **LOC (7) Cl.** **12-16**

(52) **U.S. Cl.** **D12/211**

(58) **Field of Search** D12/204-211;
301/37.1, 64.1, 65

D. 416,534	*	11/1999	Couzyn et al.	D12/211
D. 418,473	*	1/2000	Chung	D12/211
D. 419,516	*	1/2000	Gagnon	D12/211
D. 424,500	*	5/2000	Johnson	D21/209
D. 428,380	*	7/2000	Chinellato	D12/211

* cited by examiner

Primary Examiner—Stacia Cadmus

(74) *Attorney, Agent, or Firm*—Liniak, Berenato, Longacre & White

(57) **CLAIM**

The ornamental design for a front face of a vehicle wheel, as shown and described.

DESCRIPTION

FIG. 1 is a front elevational view of the front face of a vehicle wheel according to the invention; and, FIG. 2 is a perspective view of the front face of a vehicle wheel as shown in FIG. 1.

The broken line showing of the rear portion of the vehicle wheel in FIG. 2 is for illustrative purposes and forms no part of the claimed design.

(56) **References Cited**

U.S. PATENT DOCUMENTS

D. 56,897	*	1/1921	Stothoff	D12/211
D. 337,563	*	7/1993	Boselli	D12/209
D. 382,530	*	8/1997	Raudman et al.	D12/211
D. 383,429	*	9/1997	Muzzarelli et al.	D12/211
D. 408,346	*	4/1999	Goplen	D12/211

1 Claim, 2 Drawing Sheets

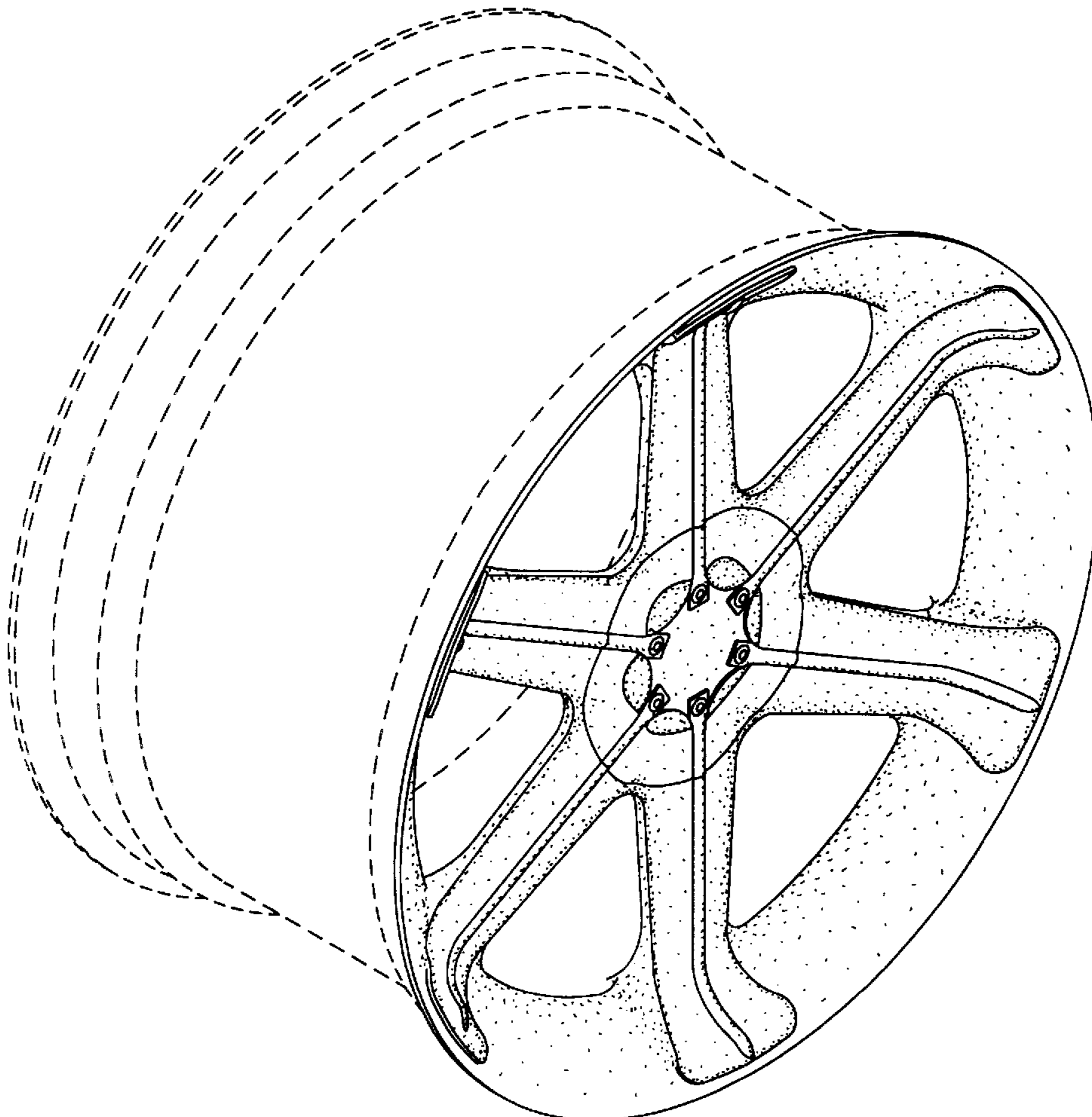


Fig. 1

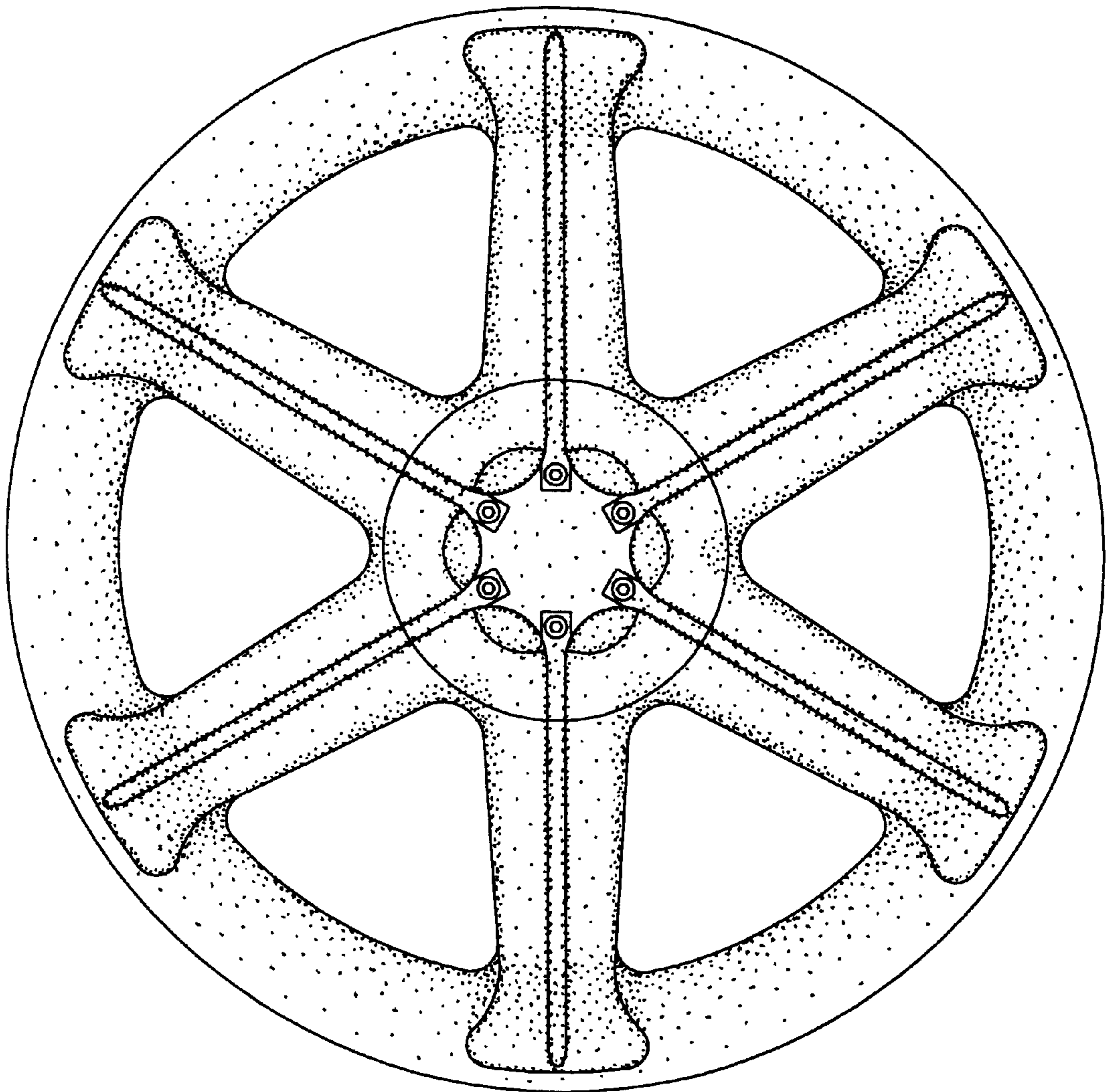


Fig. 2

