



US00D438503S

(12) **United States Design Patent**
Syring

(10) **Patent No.:** **US D438,503 S**

(45) **Date of Patent:** **** Mar. 6, 2001**

(54) **FRONT FACE OF A VEHICLE WHEEL**

(75) **Inventor:** **Marcus Syring, Munich (DE)**

(73) **Assignee:** **Bayerische Motoren Werke
Aktiengesellschaft, Munich (DE)**

(**) **Term:** **14 Years**

(21) **Appl. No.:** **29/110,325**

(22) **Filed:** **Sep. 1, 1999**

(30) **Foreign Application Priority Data**

Mar. 6, 1999 (DE) 499 02 566

(51) **LOC (7) Cl.** **12-16**

(52) **U.S. Cl.** **D12/211**

(58) **Field of Search** D12/204-211;
301/37.1, 64.1, 65

(56) **References Cited**

U.S. PATENT DOCUMENTS

D. 350,932	*	9/1994	Echazabel et al.	D12/211
D. 368,464	*	4/1996	Morley et al.	D12/209
D. 402,951	*	12/1998	Wechner	D12/211
D. 405,749	*	2/1999	Kulla	D12/211
D. 409,132	*	5/1999	Cullen	D12/211
D. 410,426	*	6/1999	Frizzi	D12/211
D. 413,853	*	9/1999	Hale, Jr.	D12/211
D. 414,454	*	9/1999	Chung	D12/211
D. 415,094	*	10/1999	Neeper	D12/211
D. 416,849	*	11/1999	Weidhase	D12/211

D. 421,953	*	3/2000	Sims et al.	D12/211
D. 422,550	*	4/2000	Chung	D12/211
D. 427,130	*	6/2000	Johnson	D12/211
D. 428,379	*	7/2000	Donikoglu	D12/211
D. 428,380	*	7/2000	Chinellato	D12/211

OTHER PUBLICATIONS

“BMW Zeitung,” issue Nov. 1998.

* cited by examiner

Primary Examiner—Stacia Cadmus

(74) *Attorney, Agent, or Firm*—Evenson, McKeown, Edwards & Lenahan, P.L.L.C.

(57) **CLAIM**

The ornamental design for a front face of a vehicle wheel, as shown and described.

DESCRIPTION

FIG. 1 is a front view of a first embodiment of a front face of a vehicle wheel according to my novel design;

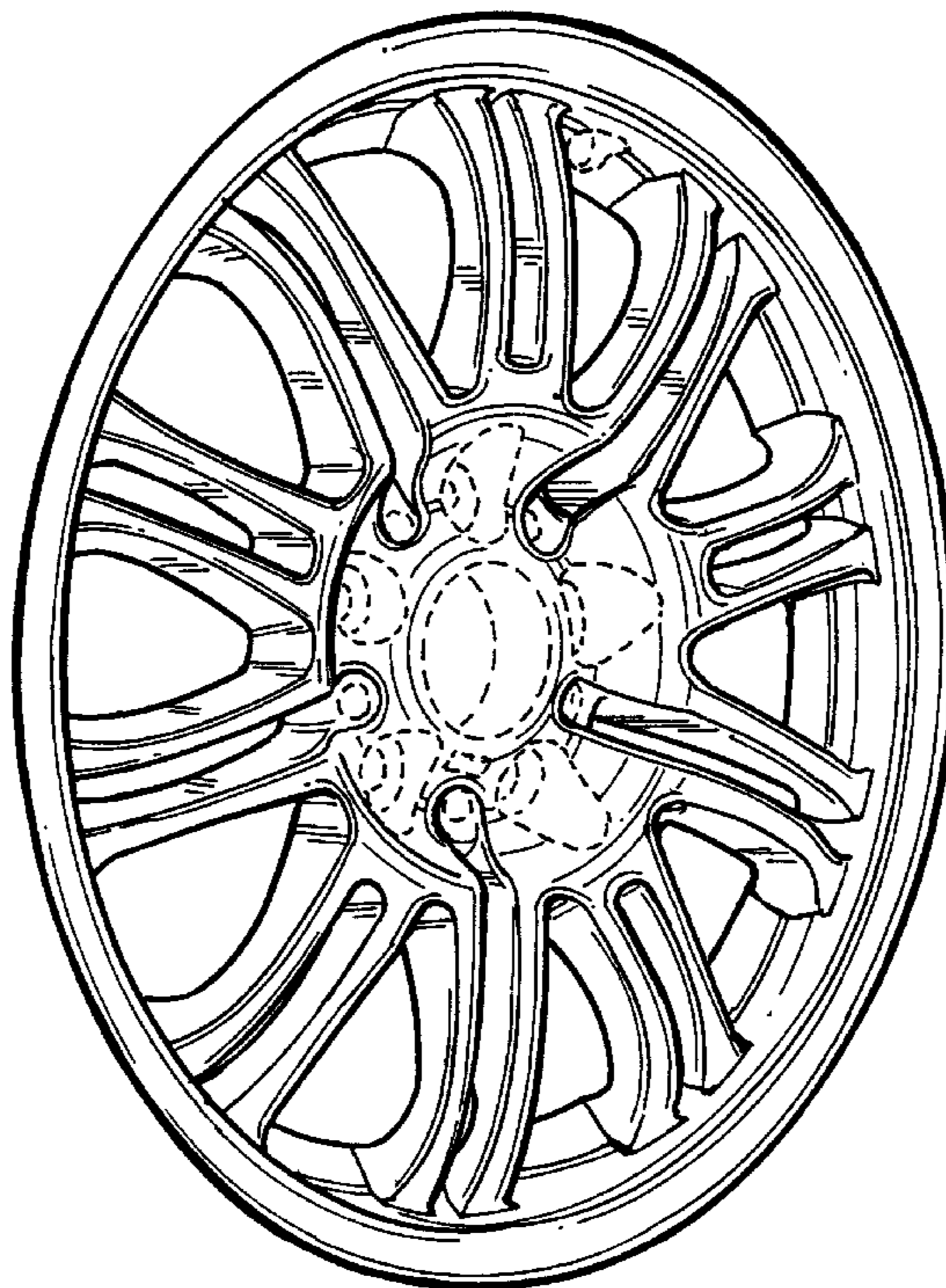
FIG. 2 is a perspective view of the first embodiment of the front face of a vehicle wheel according to my novel design;

FIG. 3 is a front view of a second embodiment of the front face of a vehicle wheel according to my novel design; and,

FIG. 4 is a perspective view of the second embodiment of the front face of a vehicle wheel according to my novel design.

The dash lines included depict environment and are not part of the claimed design.

1 Claim, 2 Drawing Sheets



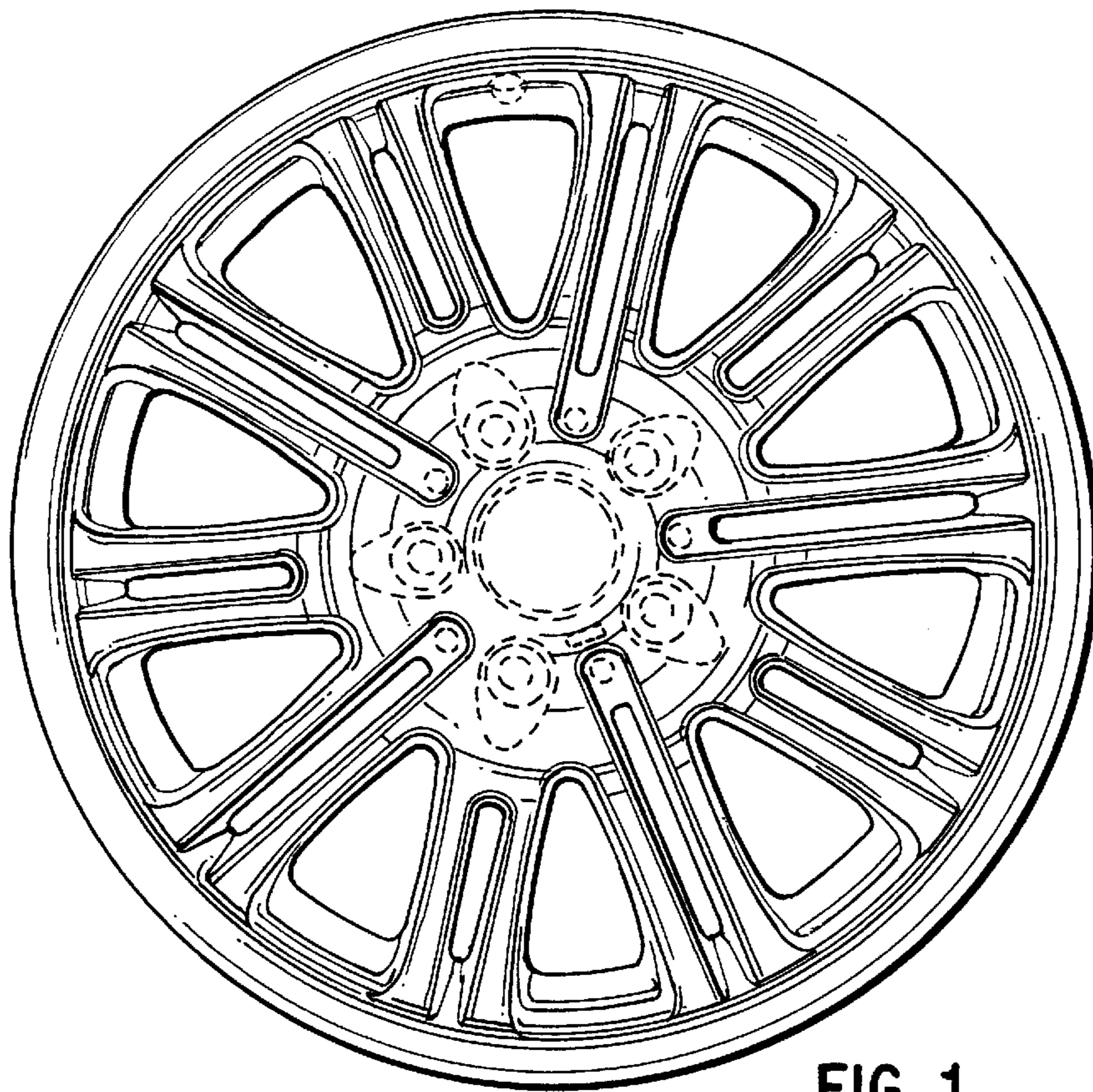


FIG. 1

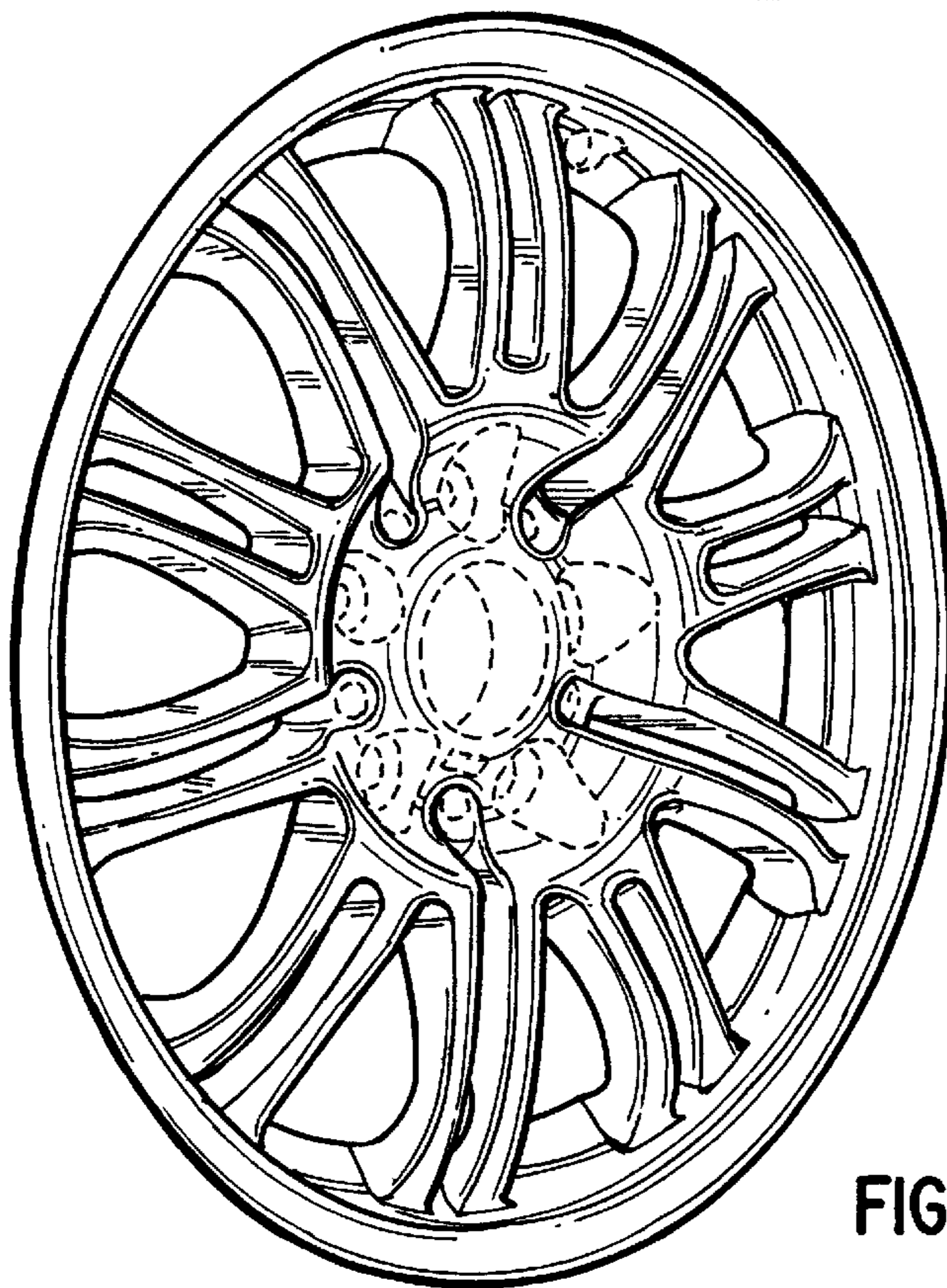


FIG. 2

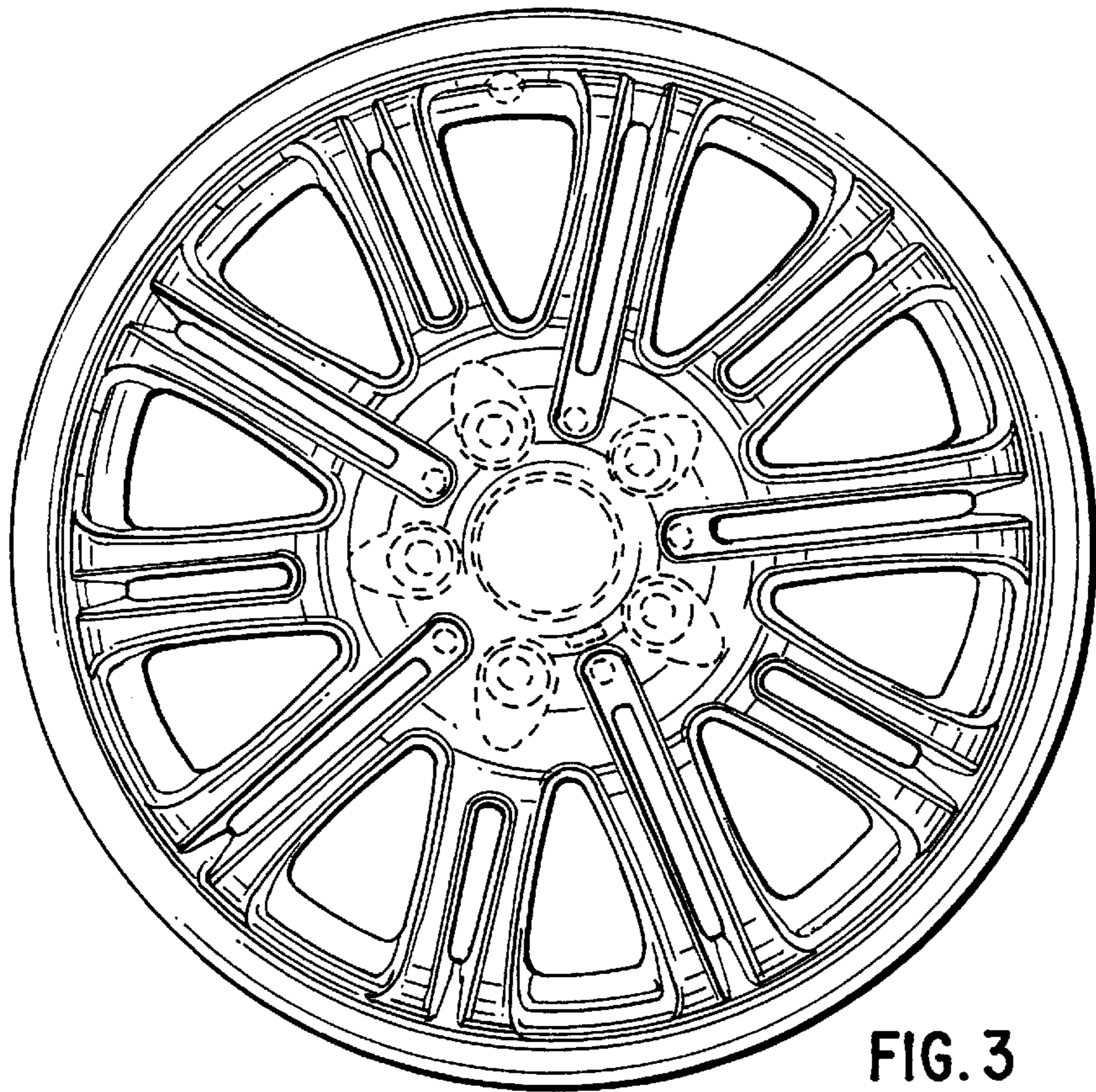


FIG. 3

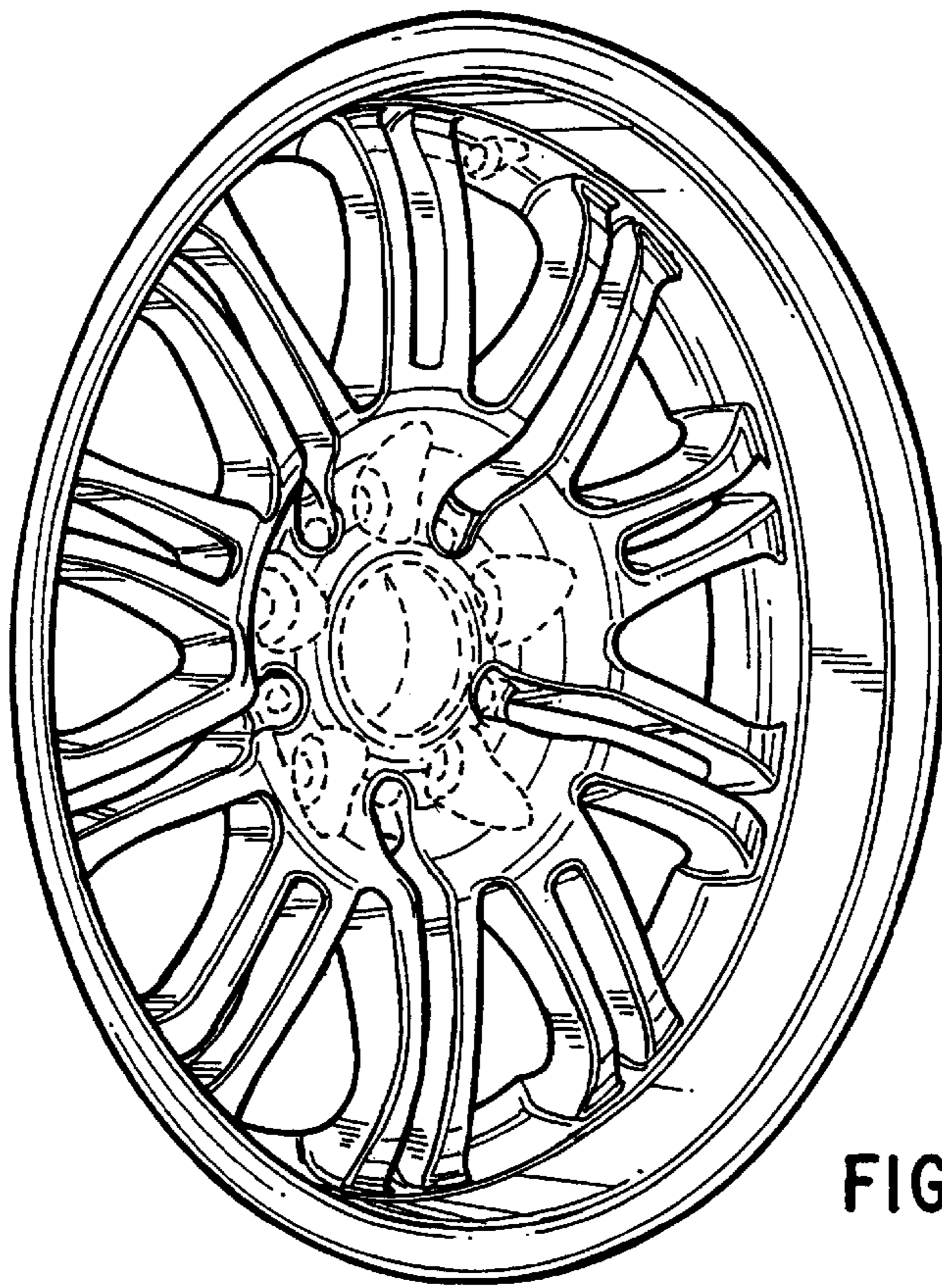


FIG. 4