



US00D438502S

(12) **United States Design Patent**
Noreiga

(10) **Patent No.:** **US D438,502 S**

(45) **Date of Patent:** **** Mar. 6, 2001**

(54) **AUTOMOBILE WHEEL**

D. 429,680 * 8/2000 Hodges D12/209
D. 432,481 * 10/2000 Brown D12/209

(76) **Inventor:** **Frank Noreiga**, 9246 Claymore St.,
Pico Rivera, CA (US) 90660

* cited by examiner

(**) **Term:** **14 Years**

Primary Examiner—Stacia Cadmus
(74) *Attorney, Agent, or Firm*—Chan Law Group LC;
Marcia Devon

(21) **Appl. No.:** **29/131,086**

(22) **Filed:** **Oct. 13, 2000**

(57) **CLAIM**

(51) **LOC (7) Cl.** **12-16**

The ornamental design for an automobile wheel, as shown
and described.

(52) **U.S. Cl.** **D12/209**

(58) **Field of Search** D12/204-211;
301/37.1, 64.1, 65

DESCRIPTION

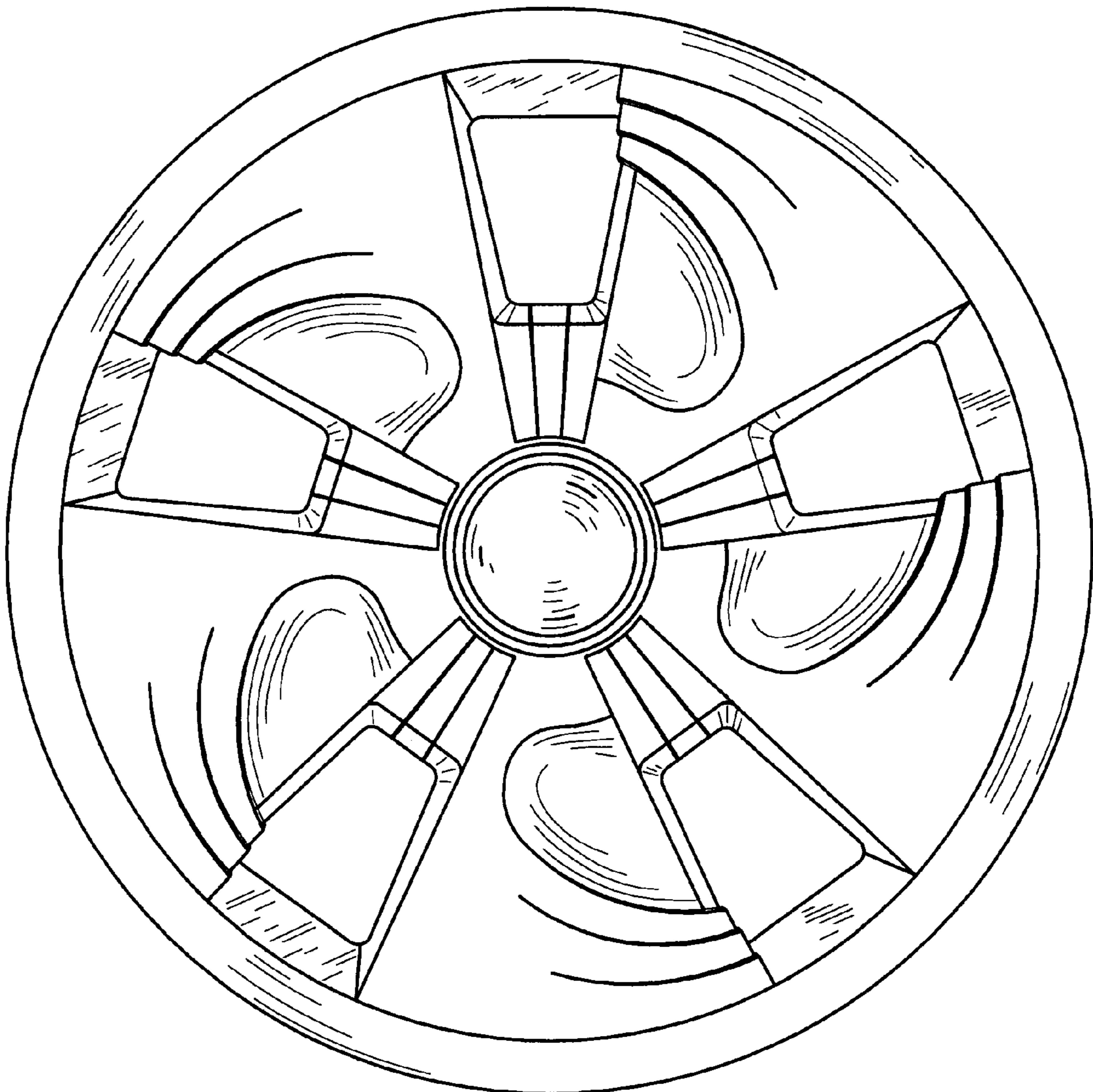
(56) **References Cited**

FIG. 1 is a perspective view of an automobile wheel
showing my new design;
FIG. 2 is an top plan view of the invention; and,
FIG. 3 is a side view of the invention.

U.S. PATENT DOCUMENTS

D. 205,449 * 8/1966 Reid D12/211
D. 292,691 * 11/1987 Envall D12/209

1 Claim, 2 Drawing Sheets



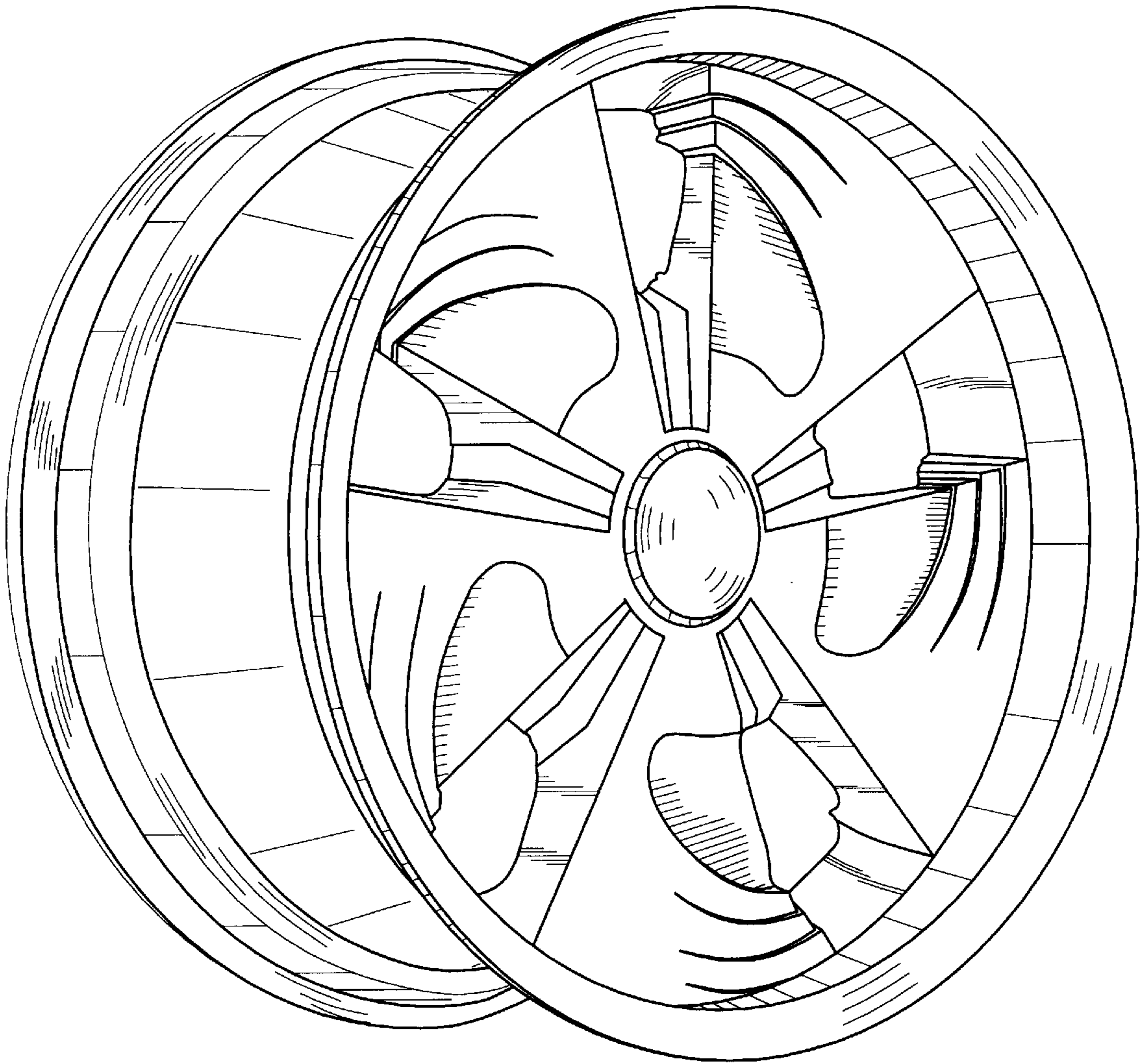


FIG. 1

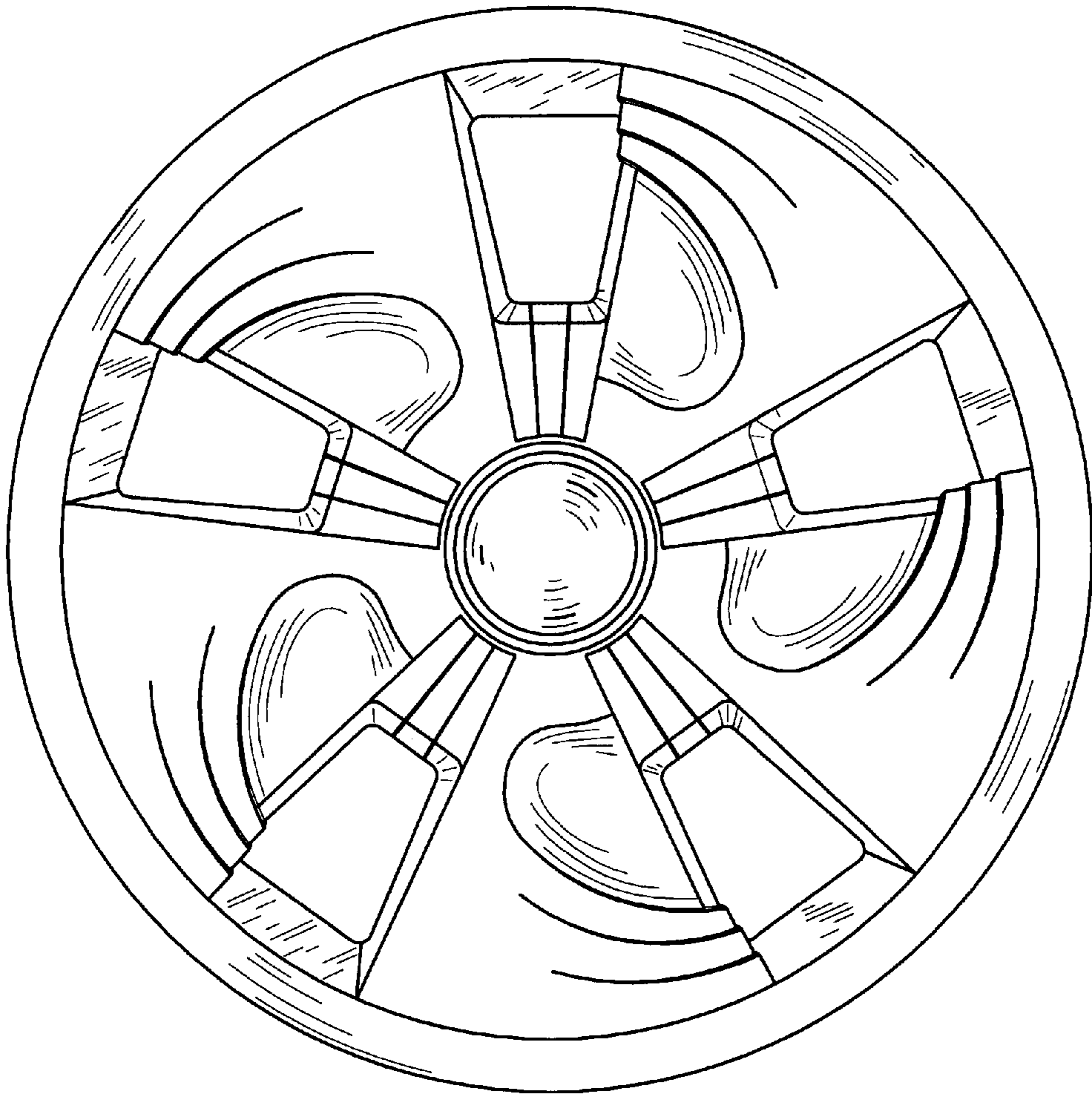


FIG. 2

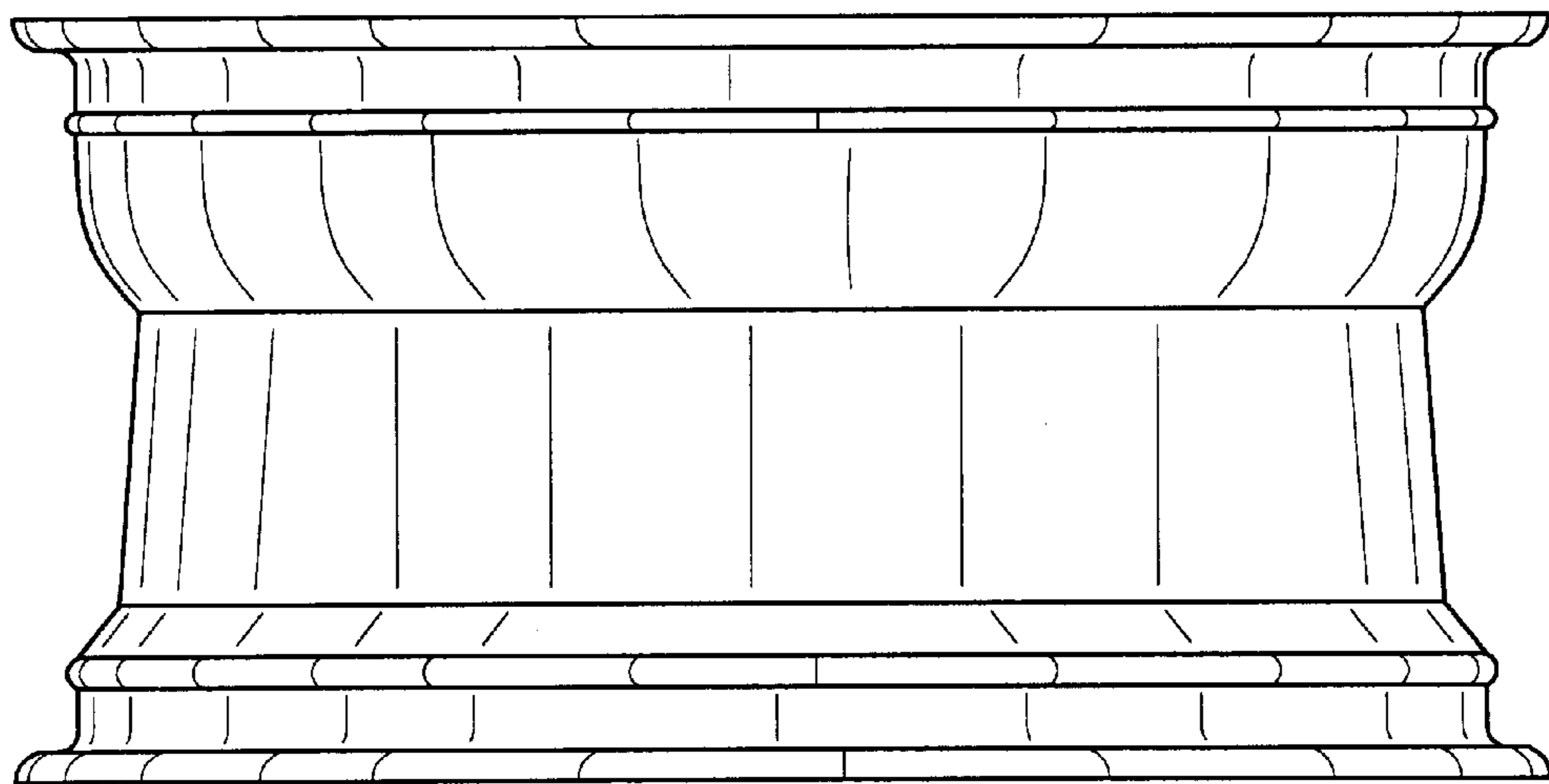


FIG. 3