



US00D438500S

(12) **United States Design Patent**
Embrador

(10) **Patent No.:** **US D438,500 S**

(45) **Date of Patent:** **** Mar. 6, 2001**

(54) **WHEEL**

(75) **Inventor:** **Roberto T. Embrador**, Whittier, CA
(US)

(73) **Assignee:** **Ultra Wheel Co.**, Buena Park, CA (US)

(**) **Term:** **14 Years**

(21) **Appl. No.:** **29/103,560**

(22) **Filed:** **Apr. 16, 1999**

(51) **LOC (7) Cl.** **12-16**

(52) **U.S. Cl.** **D12/209**

(58) **Field of Search** D12/204-211;
301/37.1, 64.1, 65

(56) **References Cited**

U.S. PATENT DOCUMENTS

D. 231,656	*	5/1974	Ishibashi	D12/211
D. 255,233	*	6/1980	Watanabe	D12/209
D. 263,213	*	3/1982	Blanchard et al.	D12/209
D. 316,073	*	4/1991	Koch	D12/211
D. 335,859	*	5/1993	Mattin	D12/211
D. 374,646	*	10/1996	Abbott	D12/209
D. 384,024	*	9/1997	Roesianto	D12/209
D. 394,038	*	5/1998	Braun	D12/211
D. 394,837	*	6/1998	Gill, Jr.	D12/209
D. 409,131	*	5/1999	Cullen	D12/209

D. 409,967	*	5/1999	Chung	D12/209
D. 419,941	*	2/2000	Chung	D12/209
D. 427,960	*	7/2000	Sacco et al.	D12/209

OTHER PUBLICATIONS

Custom Wheel & Tire Style Guide, p. 24, See "Style 92", 1992.*

Drawing by Ryan White dated Jul. 21, 1998.

* cited by examiner

Primary Examiner—Stacia Cadmus

(74) *Attorney, Agent, or Firm*—Pretty & Schroeder, P.C.

(57) **CLAIM**

The ornamental design for a wheel, as shown and described.

DESCRIPTION

FIG. 1 is a perspective view of a wheel showing my new design;

FIG. 2 is a front elevational view thereof;

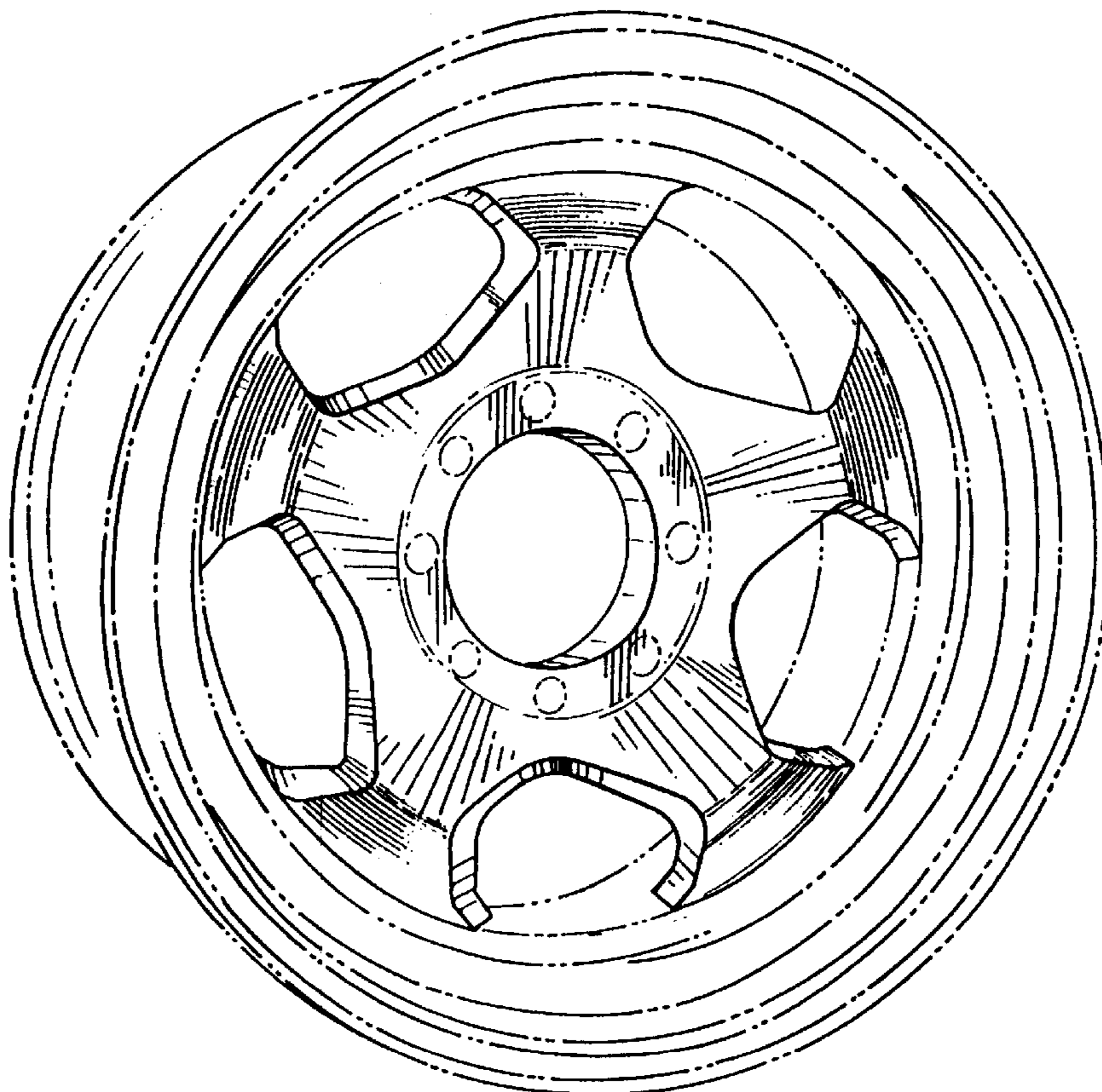
FIG. 3 is a left-side elevational view thereof, the right side being a mirror image of the left side;

FIG. 4 is a rear elevational view thereof; and,

FIG. 5 is a cross-sectional view thereof taken along the line 5-5 in FIG. 2.

The broken line disclosure in FIGS. 1-5 is for illustrative purposes only and forms no part of the claimed design.

1 Claim, 3 Drawing Sheets



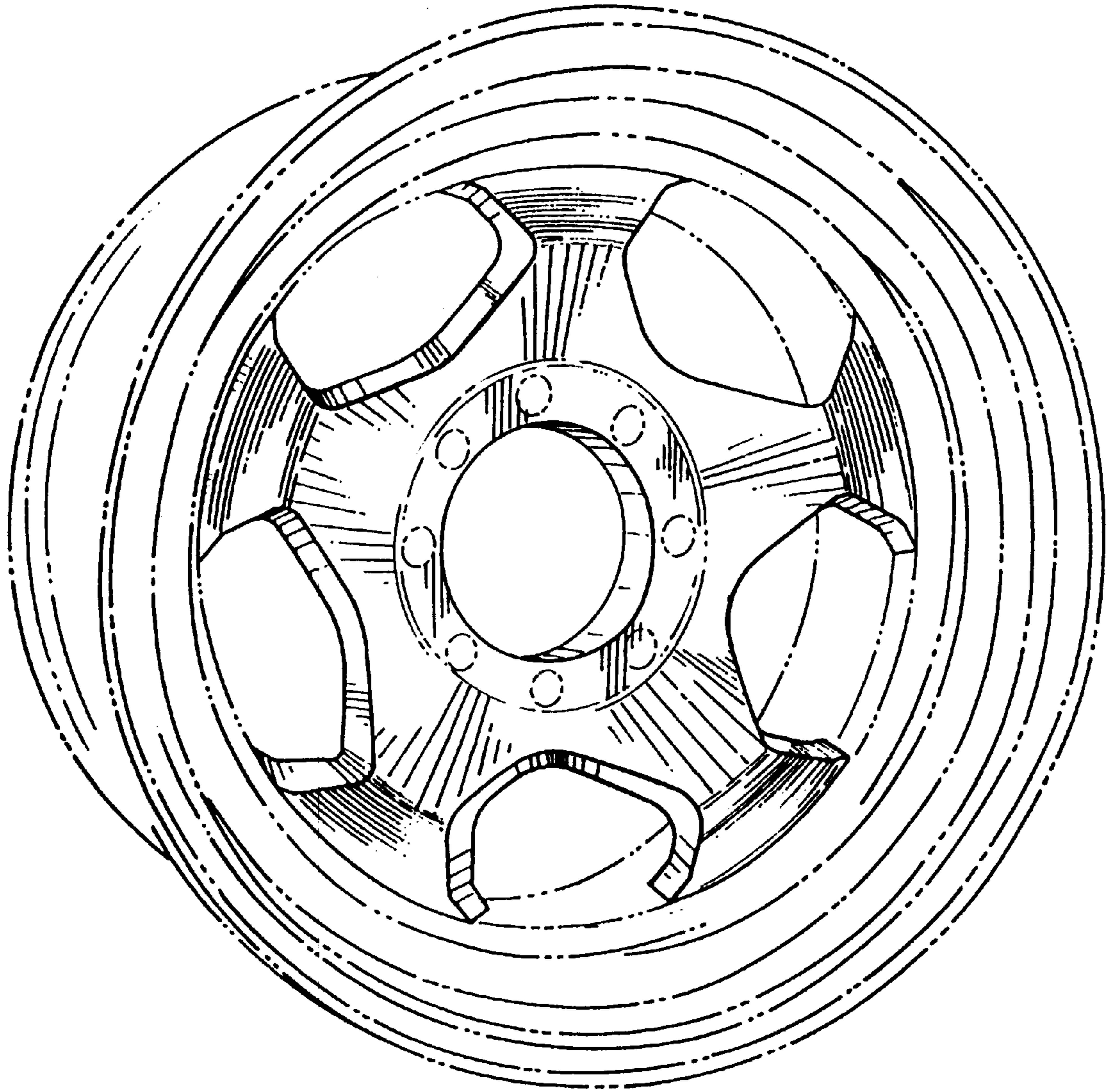


FIG. 1

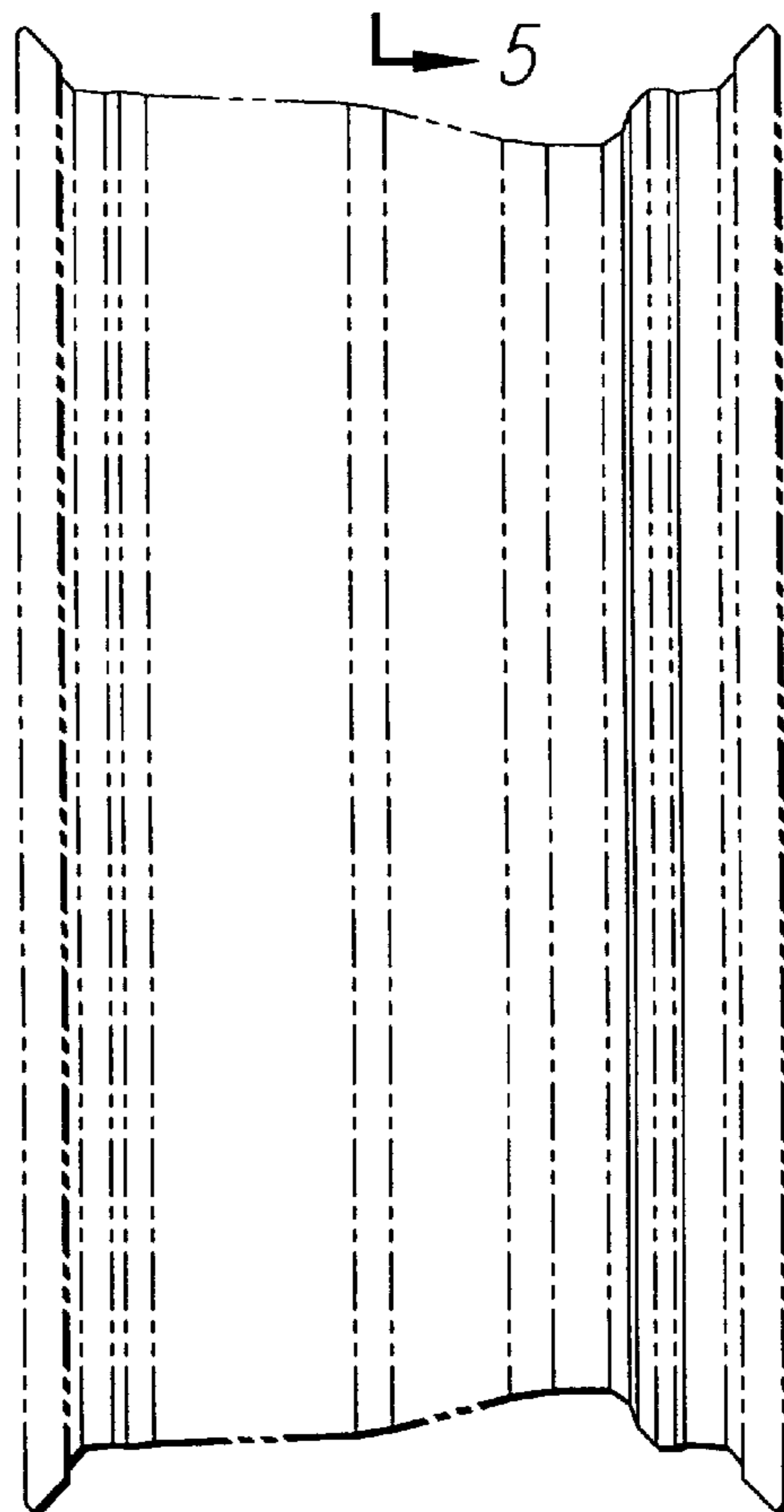
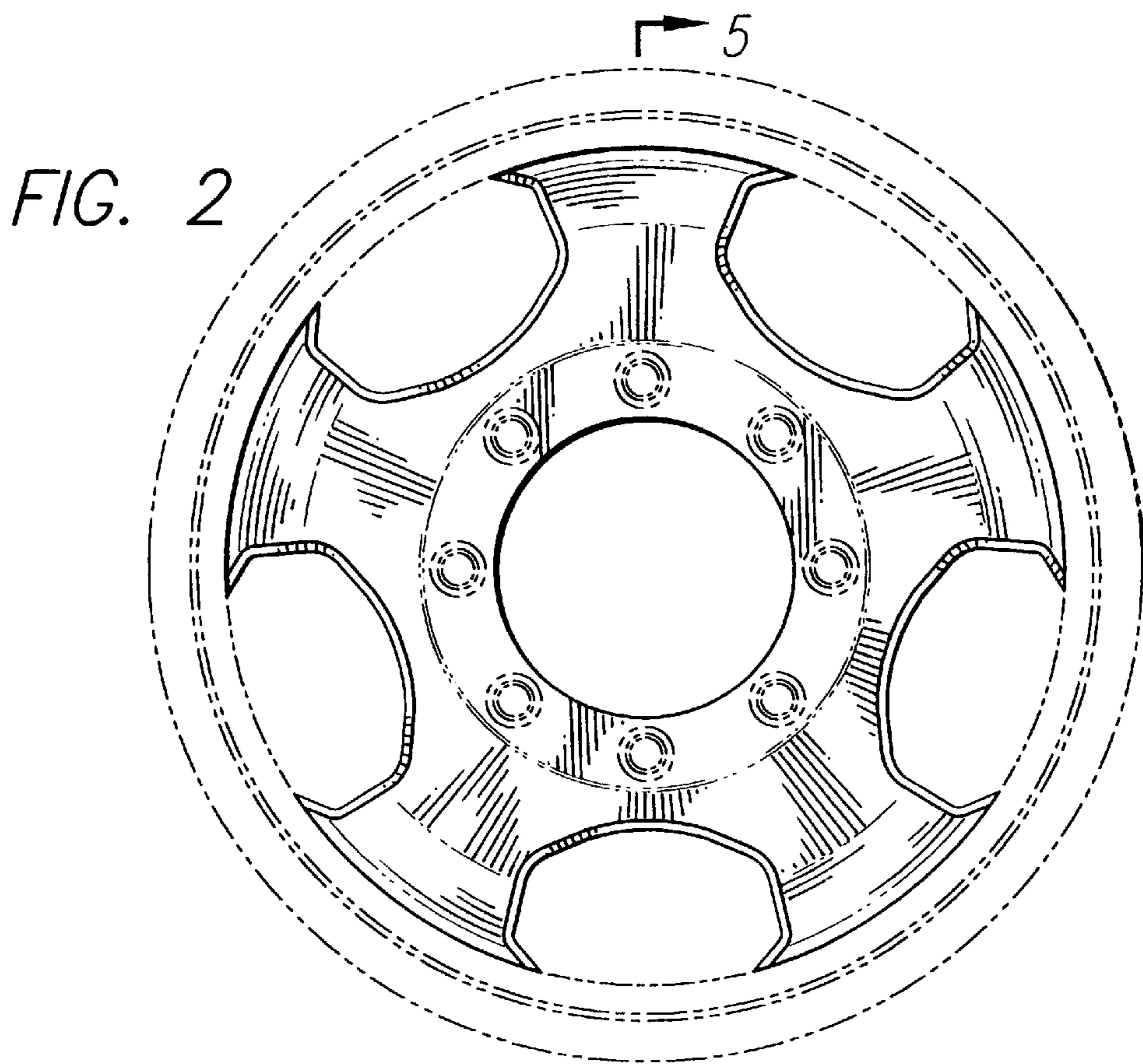


FIG. 3

FIG. 4

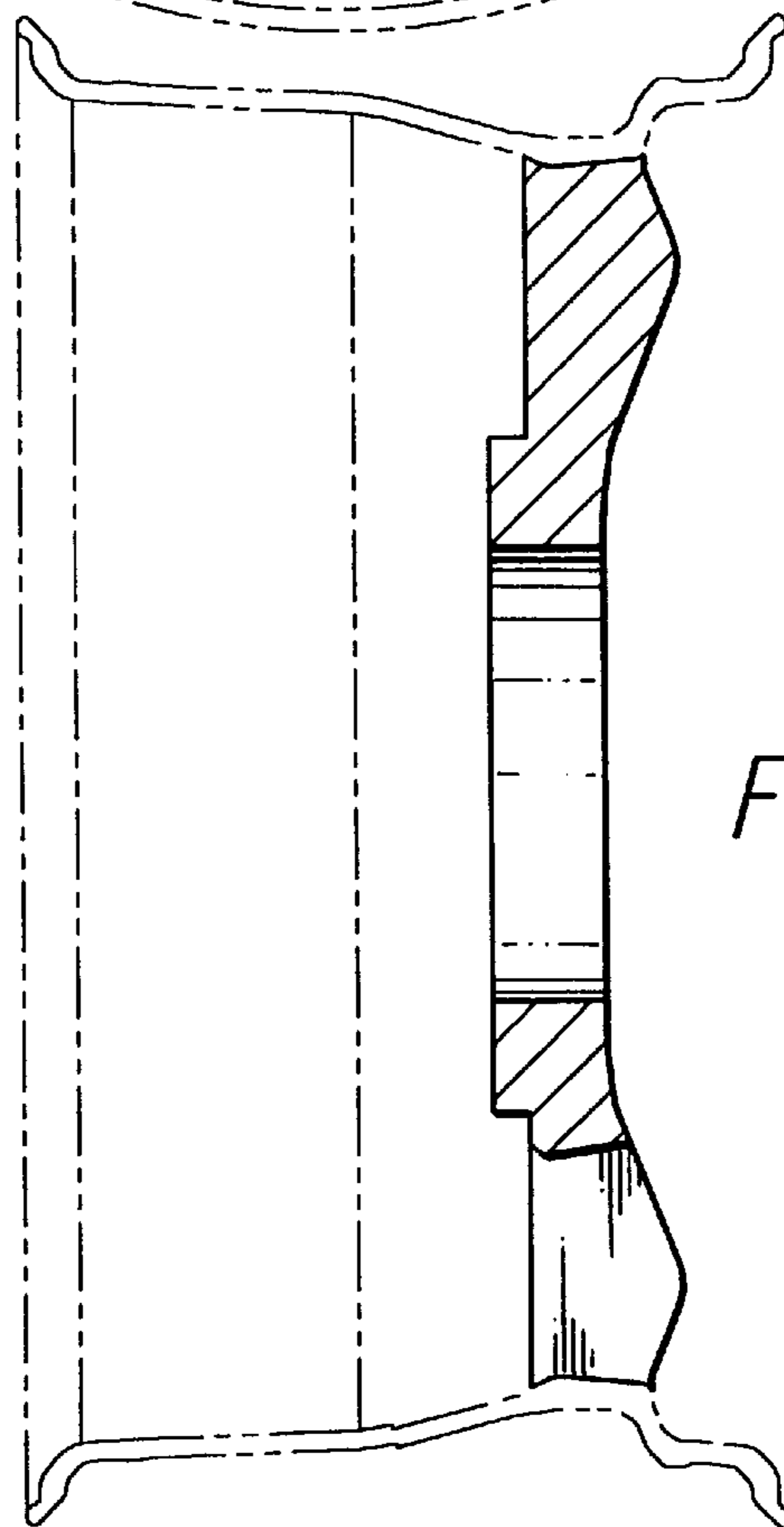
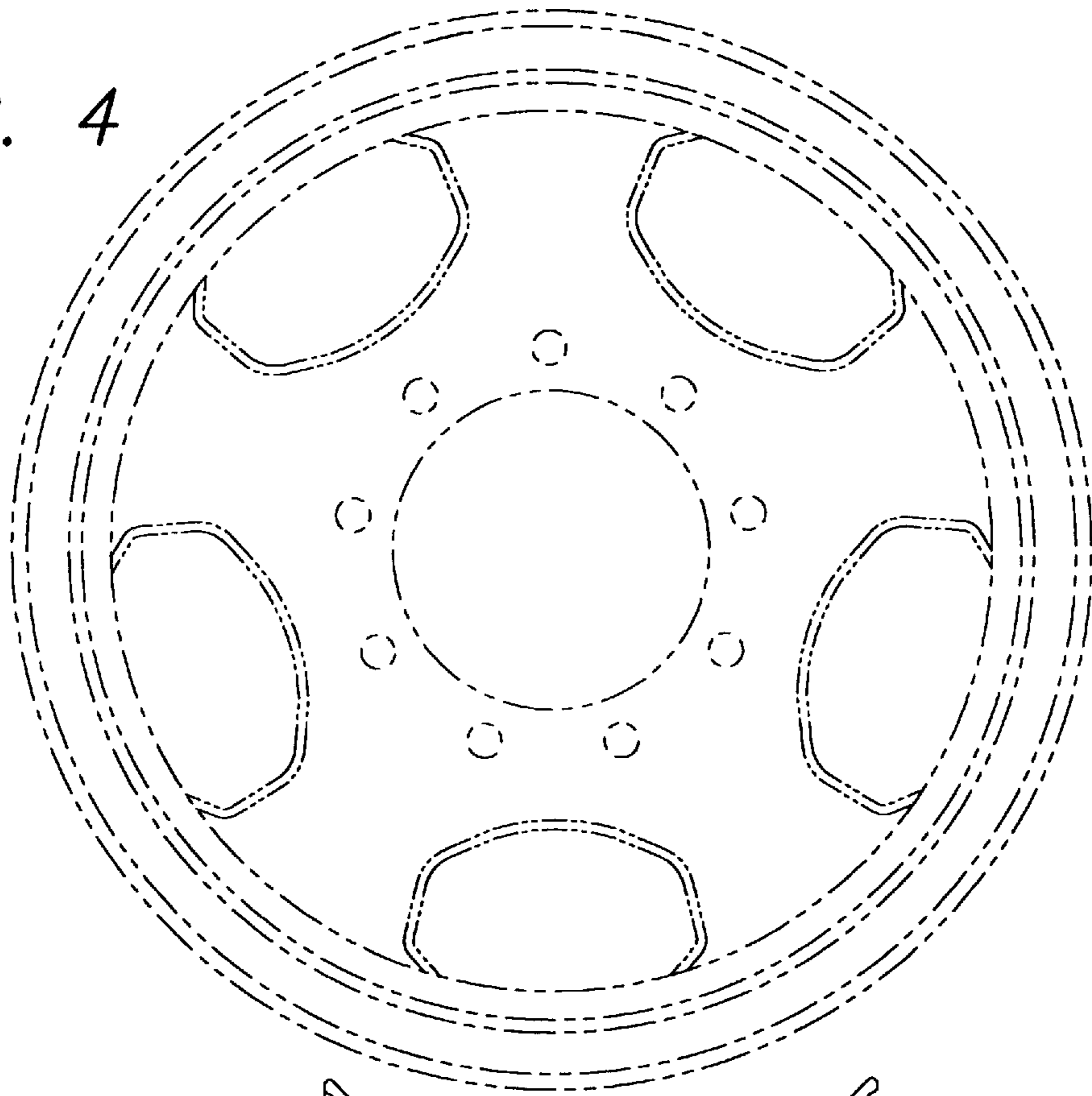


FIG. 5